



TAG _____

ARCHITECTURAL & ENGINEERING SPECIFICATION

Vitreous china, 0.125 gpf [0.5 lpf] to 1.0 gpf [3.8 lpf] wall hung, integral trap, washdown urinal complete with 3/4" [19mm] top spud connection, concealed universal retrofit wall bracket, 2" [51mm] outlet connection and vandal resistant outlet strainer.

PRODUCT FEATURES

- 0.125 gpf - 1.0 gpf
- Vitreous china
- Asymmetric backwall resulting in reduced splash back
- High efficiency washdown flushing action
- Oversized footprint to make retrofit easy
- 3/4" top spud
- 2" I.P.S. outlet flange and rubber gasket with integral trap
- 14" extended rim for handicap compliance when installed at proper height
- Vandal resistant outlet strainer included
- Shipping weight: 60 lbs

COMPLIANCE AND CERTIFICATION:

- Complies with ASME A112.19.2 / CSA B45.1
- ADA Compliant



This product should be used with a WaterSense labeled counterpart with a compatible flush volume to ensure that the entire system meets the requirements for water efficiency and performance.



Z5755-U ZURN ONE SYSTEMS

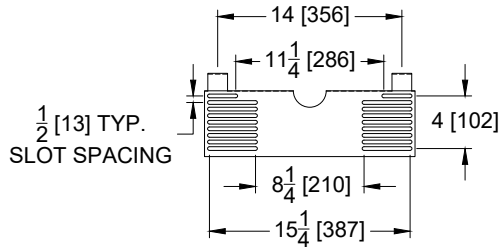
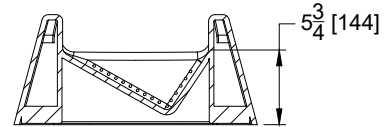
Complete fixture package with urinal and valve

ITEM NUMBER	DESCRIPTION	FLUSH VOLUME GPF
Z.UR1.M	Manual Z6003AV-ULF system	0.125
Z.UR1.S	EZ Flush ZER6003AV-ULF-SM system	0.125
Z.UR1.S.TM	Top Mount Sensor ZER6003AV-ULF-TM system	0.125
Z.UR2.M	Manual Z6003AV-EWS system	0.5
Z.UR2.S	EZ Flush ZER6003AV-EWS-SM system	0.5
Z.UR2.S.TM	Top Mount Sensor ZER6003AV-EWS-TM system	0.5

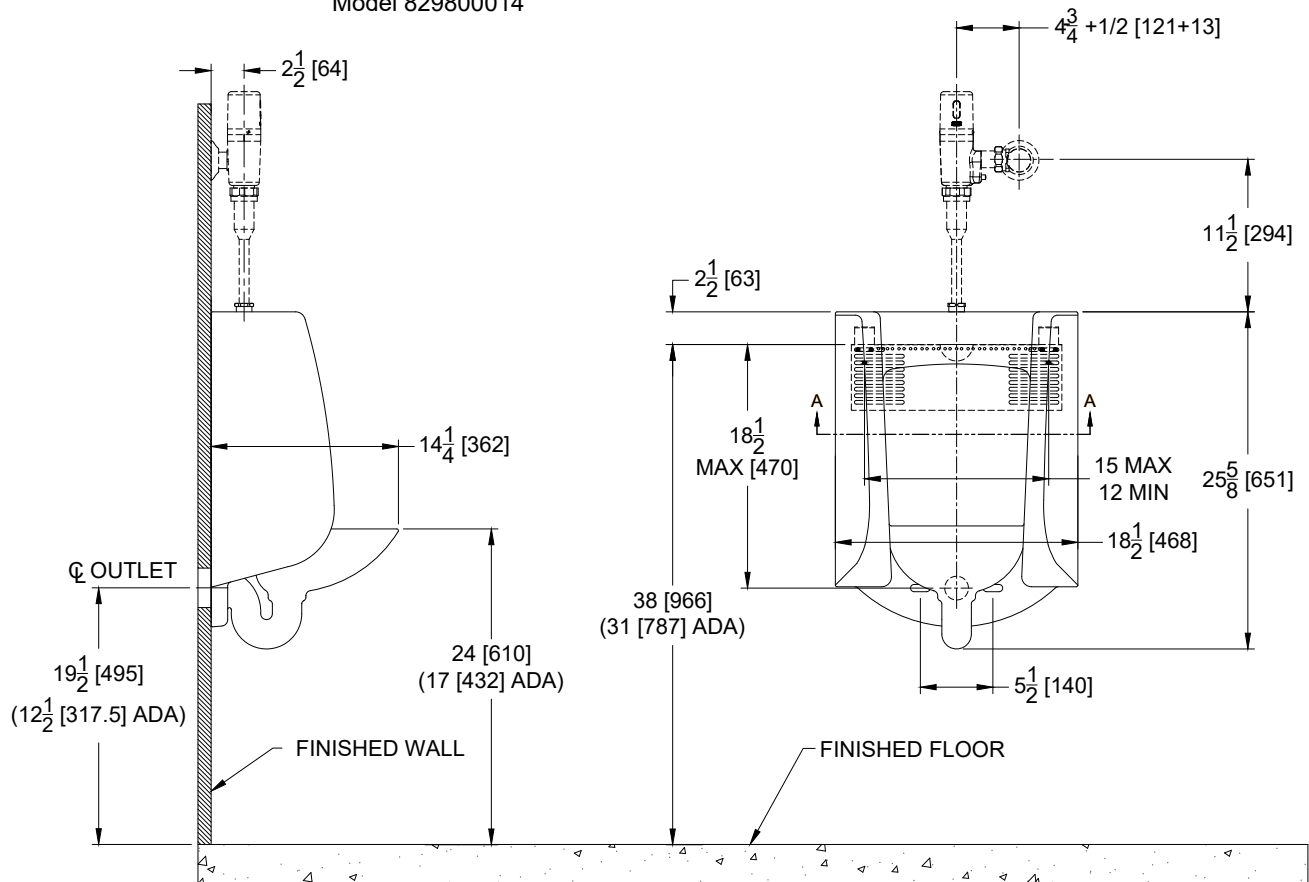
ARCHITECTURAL & ENGINEERING APPROVAL

The information contained in this document is subject to change without notice. Please contact Zurn for most up to date information.

Rough-in / Overview dimensions


 UNIVERSAL RETROFIT
BRACKET (UB)
Model 829800014


SECTION A-A



Parts:

- | | |
|--------------------|----------------------------|
| 829800014 | Mounting Bracket |
| Z5755-Yoke | Brass Urinal Yoke Assembly |
| G5980GBS-34 | Spud, gasket & washer |