



# Sani-Gard Z1022 With Distribution Unit

Up To 4 Trap Primers In 1



### Z1022 Sani-Gard Trap Primer

The Zurn Trap Primer is a necessity in areas where drains are infrequently used and provides positive protection to maintain trap seals. The Zurn Z1022 automatic trap primer, properly installed in the supply line to a fixture, will automatically supply water to the deep seal P-trap of a drain each time the fixture is used. When the fixture is used, water is delivered to the trap of the floor drain which is serviced by the trap primer. The piston inside the trap primer raises when water flows through the supply line, thus allowing water to flow into the trap.

### Z1022-DU Sani-Gard Trap Primer Distribution Unit

The Zurn floor drain trap primer distribution unit provides a positive means of correctly dispersing supply line water to infrequently used drains. When properly installed with the Z1022 Trap Primer, the distribution unit allows for effective priming of multiple trap seals, while eliminating the need for multiple trap primers.

Zurn Distribution Units are provided with all brass body construction and polished coating, available with 2, 3, or 4 outlets. The unit's transparent removable inlet cap has an elastomeric grommet seal for a watertight connection, allowing quick and easy inspection of proper operation. Internal metering tubes and overflow ports permit even distribution of water to each outlet.

Each unit comes equipped with a slotted inlet adapter tube that accepts a 1/2" female NPT connection (by others). The inlet tube should be fully inserted in through the grommet until it comes in contact with the bottom surface of the unit body. Outlets are provided with 3/8" female pipe thread connections. Water lines running from the distribution unit to the drain trap should be 3/8" (minimum) copper pipe.

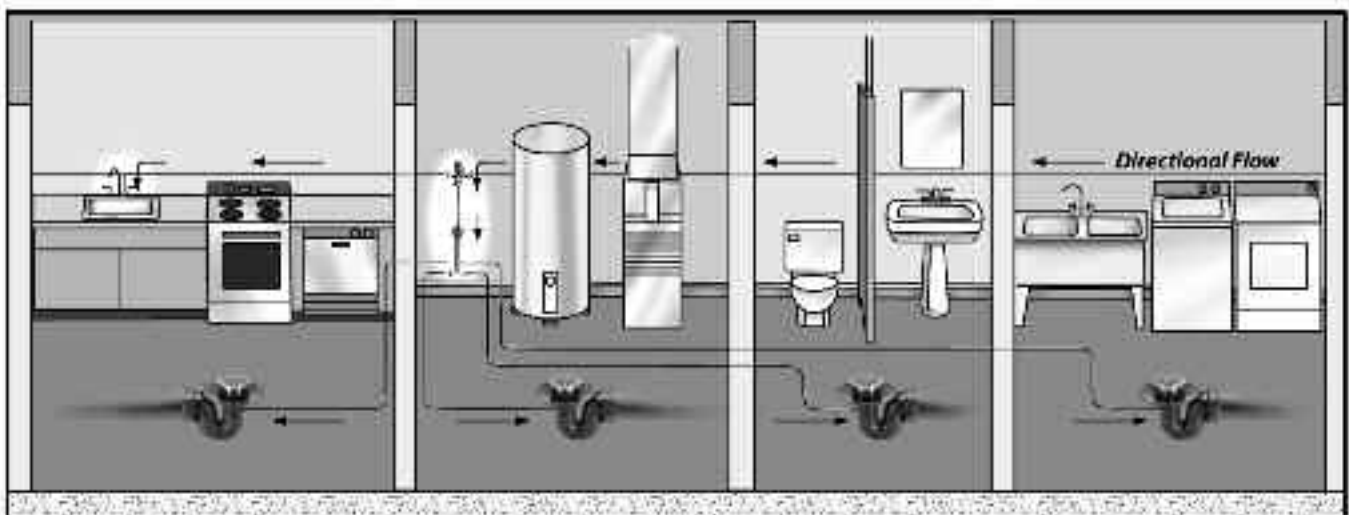
Zurn Distribution Units should be installed in an upright, level position at a rough-in height of 6" from the bottom of the trap primer to the top of the distribution unit cap to ensure the amount of water is evenly discharged through the outlets.

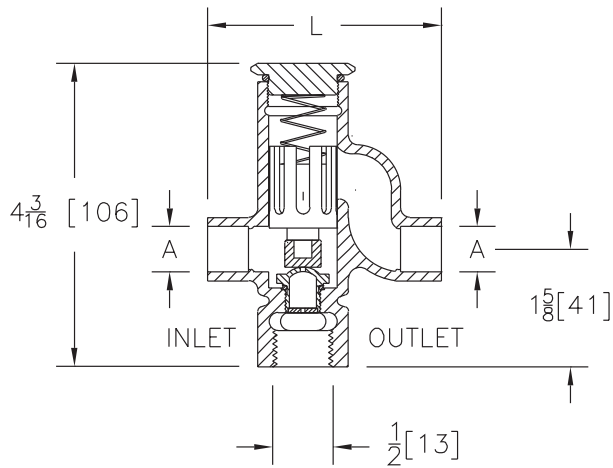
**Food  
Preparation Areas**

**Basements**

**Restrooms**

**Service Areas**

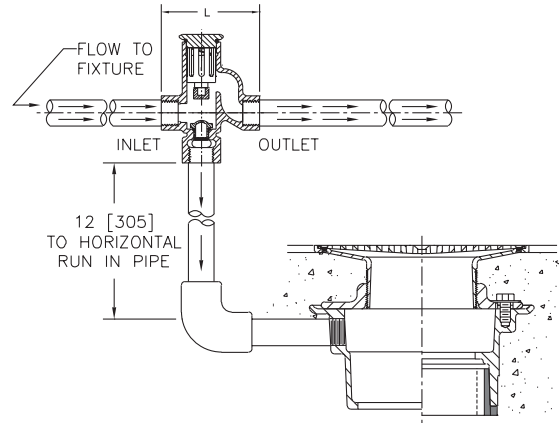




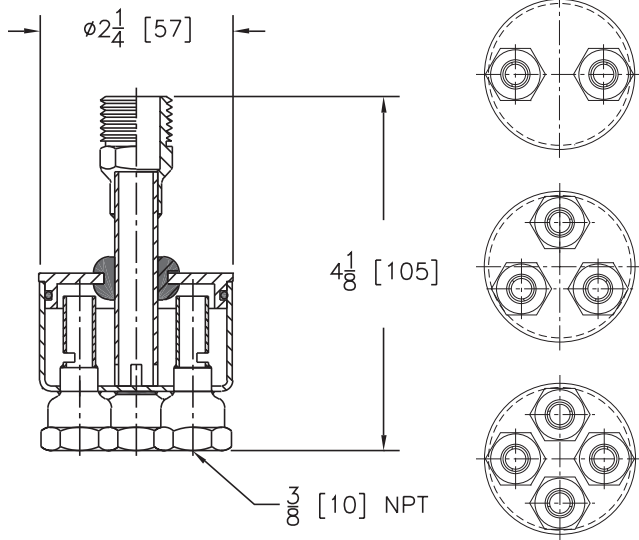
### Z1022 Sani-Gard Trap Primer

Engineering Specification: Zurn Z1022 Sani-Gard Automatic Trap Primer, all bronze body with integral vacuum breaker and non-liming internal operating assembly with gasketed bronze cover.

A - Pipe Size/Connection	L	Approx. Wt. Lbs. [kg]
1/2" [13] Solder Female	3-1/4" [83]	1 [.5]
1/2" [13] IP Female	3-1/4" [83]	1 [.5]
1/2" [13] Solder Female Union	5-11/16" [144]	1.5 [.75]
1/2" [13] IP Female Union	5-3/8" [137]	1.5 [.75]



### Outlets



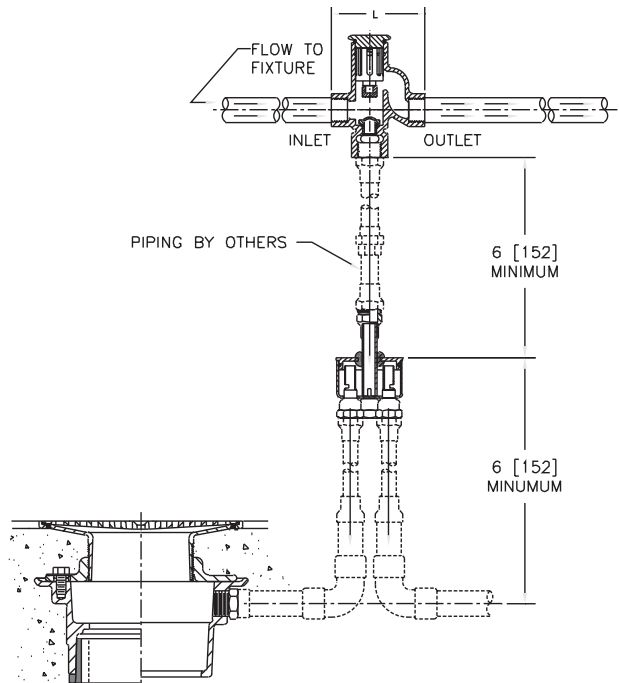
### Z1022-DU Sani-Gard Trap Primer Distribution Unit

Engineering Specification: Distribution Unit furnished with all brass body, inlet adapter, internal slotted water metering tubes, overflow ports, removable, gasketed transparent cover, complete with (2, 3 or 4) 3/8" [10] NPT outlet connections.

#### Water Distributed To Each Outlet

Distribution Unit	(20 psi Static)	(50 psi Static)	(80 psi Static)
-DU2	17.9	27.1	31.9
-DU3	11.8	17.2	21.3
-DU4	9.0	13.2	16.0

Results based on 2 gpm fixture. Units in ounces/minute.



**ZURN INDUSTRIES, LLC**  
 SPECIFICATION DRAINAGE OPERATION  
 1801 PITTSBURGH AVENUE  
 ERIE, PA, U.S.A. 16502  
 PHONE: 885-ONE-ZURN (855-663-9876)  
 FAX: 814/454-7929  
 WEBSITE: www.zurn.com