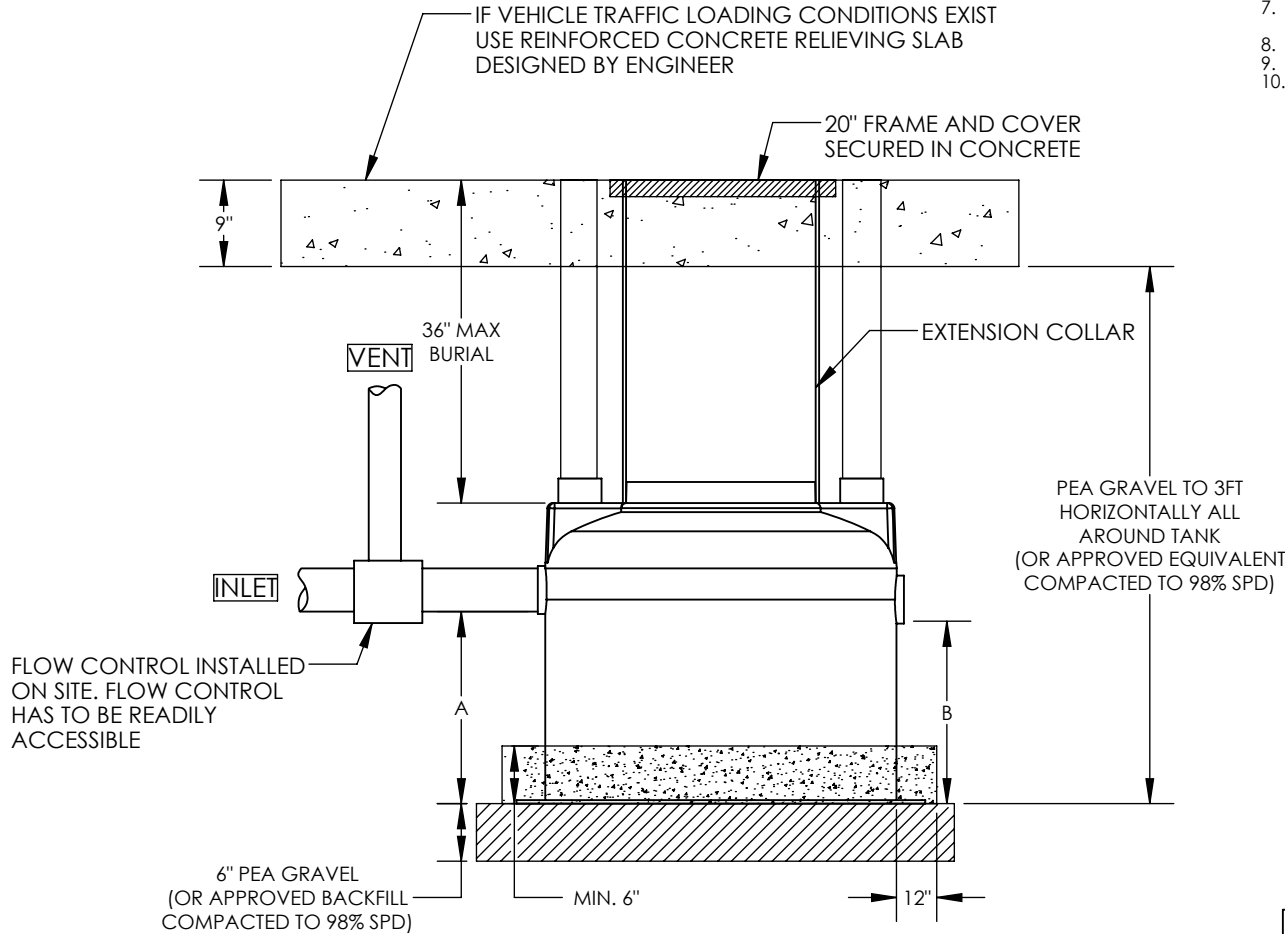


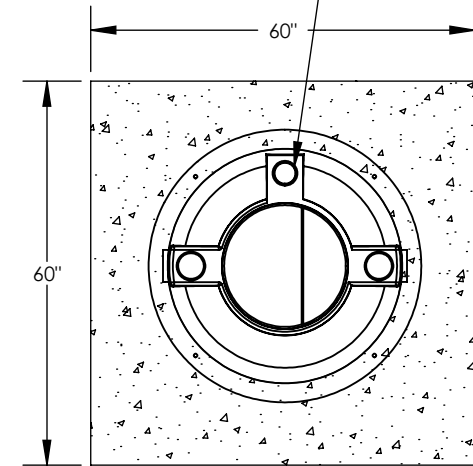
TANK MODEL	FLOW RATE (GPM)	INLET (A)	OUTLET (B)	DRY WEIGHT OF TANK
Z-50H	50	16	15	135
Z-75H	75	20	19	145

**NOTES:**

1. REFER TO INSTALLATION PROCEDURE AND INSTALLATION CHECKLIST
2. GEOTEXTILE FABRIC SHOULD BE USED IF THE NATIVE SOIL HAS SMALL PARTICLES AND MORE THAN 3% OF ITS WEIGHT PASSING THROUGH A #8 SIEVE (2.38mm SQUARE SCREEN OPENING) REGARDLESS OF THE BACKFILL MATERIAL
3. PROCEPTOR SEPARATORS MUST BE INSTALLED IN ACCORDANCE WITH ALL RELEVANT FEDERAL, PROVINCIAL/STATE, AND LOCAL CODES INCLUDING LOCAL PLUMBING CODE
4. US PATENT #5,746,912; CDN PATENT #2,195,822
5. ZURN GREENTURTLE RECOMMENDS THE INSTALLATION OF THE ANCHORING SLAB TO SECURE TANK DURING INSTALLATION. CAST IN PLACE ANCHORING SLAB TO USE AT LEAST 3000PSI CONCRETE POURED ALL AROUND TANK. APPROXIMATELY 9CU FT NEEDED
6. IF ANCHORING SLAB IS NOT INSTALLED IT IS THE INSTALLERS RESPONSIBILITY TO ENSURE THE TANK IS SECURED AND WILL NOT SHIFT OR MOVE DURING INSTALLATION
7. BACKFILL MATERIAL (PREFERRED TO BE 3/4" PEA GRAVEL, ALTERNATIVE TO BE 3/4" CRUSHED STONE) SHALL BE COMPACTED TO 98% SPD
8. VENTS TO BE CONNECTED TO VENTING SYSTEM, AS PER LOCAL CODES
9. CLEANOUTS TO BE CAPPED IN FIELD, AS PER LOCAL CODES
10. IF THE GROUND WATER TABLE IS MORE THAN ONE FOOT HIGHER THAN THE BOTTOM OF THE TANK, A CUSTOM DESIGN TANK AND PROPER ANTI BUOYANCY SLAB SHOULD BE USED. PLEASE CONTACT GT FOR MORE INFORMATION.



VENT (CONNECT TO ENTING SYSTEM  
PER LOCAL PLUMBING CODE)



ANCHORING SLAB DETAIL

DWG. TITLE:  
**Z-50H TO Z-75H  
FOGCEPTOR BURIED  
INSTALL**

PROJECT:

SIZE A DRAWING NOT TO SCALE



DWG #: 18-4742-S REV. 1