

Specification Drainage

SD0122 Customer Guide



ZURN.COM US 1.855.ONE.ZURN CANADA 1.877.892.5216

Effective January 1, 2022
Replaces All Previous Price Lists

INTRODUCTION

TABLE OF CONTENTS - BY SECTION	2
🕒 Z100 FLOFORCE™	7
🕒 Z250H FOG-CEPTOR® INTERCEPTOR	9
🕒 STABILIZER SOLUTIONS	11
🕒 Z1231EZ UNIVERSAL LAVATORY CARRIER	12
🕒 ZURN TOP-SET® DECK PLATE	13
🕒 Z130 SIPHONIC ROOF DRAIN WITH DECK PLATE	14
GREEN ROOFING DRAINAGE SOLUTIONS	16
🕒 A PERFECT FIT: Z1322XL-EZ AND Z1332XL-EZ ECOLOTROL™ WALL HYDRANTS	17
🕒 EZ HYDRANTS: Z1327-EZ, Z1350-EZ, Z1320XL-EZ	18
🕒 Z1222-CB CARRIER BANK	19
CUSTOMER GUIDE INSTRUCTIONS	20
TYPICAL PRODUCT PAGE NAVIGATION	20
ABBREVIATIONS USED IN THIS CUSTOMER GUIDE	21

TABLE OF CONTENTS - BY SECTION

PRODUCT HIGHLIGHT

☉ Z100 FLOFORCE™	7
☉ Z250H FOG-CEPTOR® INTERCEPTOR	9
☉ STABILIZER SOLUTIONS	11
☉ Z123IEZ UNIVERSAL LAVATORY CARRIER	12
☉ ZURN TOP-SET® DECK PLATE	13
☉ Z130 SIPHONIC ROOF DRAIN WITH DECK PLATE	14
GREEN ROOFING DRAINAGE SOLUTIONS	16
☉ A PERFECT FIT: Z1322XL-EZ AND Z1332XL-EZ ECOLOTROL™ WALL HYDRANTS	17
☉ EZ HYDRANTS: Z1327-EZ, Z1350-EZ, Z1320XL-EZ	18
☉ Z1222-CB CARRIER BANK	19
CUSTOMER GUIDE INSTRUCTIONS	20
TYPICAL PRODUCT PAGE NAVIGATION	20
ABBREVIATIONS USED IN THIS CUSTOMER GUIDE	21

ROOF DRAINS

ROOF DRAIN - PRODUCT COMPLIANCE	24
ROOF DRAIN - GENERAL INFORMATION	24
ROOF DRAIN - APPLICATION INDEX	24
Z100 Z100 FLOFORCE™ HIGH PERFORMANCE ROOF DRAIN - LOW SILHOUETTE DOME	25
Z100 15" DIAMETER MAIN ROOF DRAIN WITH LOW SILHOUETTE DOME	26
Z101 HIGH CAPACITY 20" DIAMETER MAIN ROOF DRAIN WITH LOW SILHOUETTE DOME	27
100C 15" DIAMETER DEEP SUMP DUAL OUTLET ROOF DRAIN - LOW SILHOUETTE DOME	28
Z104 15" DIAMETER DEEP SUMP ROOF DRAIN WITH LOW SILHOUETTE DOME	29
Z105 CONTROL-FLO™ ROOF DRAIN WITH PARABOLIC WEIR	30
Z107 20" WIDE DECK FLANGE ROOF DRAIN	31
Z108 15" DIAMETER DECK RECEPTOR DRAIN	32
Z110 15" GREEN ROOF DRAIN WITH PERFORATED SCREEN ASSEMBLY, AND REMOVABLE COVER WITH LIFT HANDLE	33
Z110-AI GREEN ROOF DRAIN WITH PERFORATED SCREEN ASSEMBLY, REMOVABLE COVER WITH LIFT HANDLE, AND AUXILIARY INLET	34
ZF110-R 15" GREEN ROOF BOX - PERFORATED SCREEN ASSEMBLY	35
ZF110-S GREEN ROOF BOX - PERFORATED SCREEN ASSEMBLY, REMOVABLE COVER	36
Z111 12" DIAMETER FLAT DECK ROOF DRAIN FOR METAL DECKS	36
Z121 12" DIAMETER ROOF DRAIN LOW SILHOUETTE DOME	37
Z122 12" DIAMETER DECK RECEPTOR DRAIN	38

Z125 8-3/8" DIAMETER ROOF DRAIN LOW SILHOUETTE DOME	39
Z127 8-1/2" DIAMETER DECK RECEPTOR DRAIN	40
☉ Z130 14-9/32" DIAMETER SIPHONIC MAIN ROOF DRAIN	41
☉ Z131 14-9/32" DIAMETER SIPHONIC OVERFLOW ROOF DRAIN	41
Z150 14" SQUARE TOP PROM-DECK DRAIN WITH HEEL-PROOF GRATE AND ROTATABLE FRAME	42
Z154 12" SQUARE TOP PROM-DECK DRAIN WITH HEEL-PROOF GRATE AND ROTATABLE FRAME	43
Z158 10" SQUARE TOP PROM-DECK DRAIN WITH HEEL-PROOF GRATE AND ROTATABLE FRAME	44
Z160 135° SCUPPER DRAIN	45
Z161 3" X 10" OBLIQUE SCUPPER DRAIN	45
☉ Z163 15" DIAMETER COMBINATION MAIN ROOF AND OVERFLOW DRAIN WITH LOW SILHOUETTE DOMES AND DOUBLE TOP-SET® DECK PLATE	46
☉ Z164 12" DIAMETER COMBINATION MAIN ROOF AND OVERFLOW DRAIN WITH LOW SILHOUETTE DOMES AND DOUBLE TOP-SET® DECK PLATE	47
☉ Z165 8-3/8" DIAMETER COMBINATION MAIN ROOF AND OVERFLOW DRAIN WITH LOW SILHOUETTE DOMES AND DOUBLE TOP-SET® DECK PLATE	48
Z180 4-1/2" DIAMETER CORNICE DRAIN WITH BOTTOM OUTLET	48
Z181 6" DIAMETER CORNICE DRAIN WITH BOTTOM OUTLET	49
Z182 4-1/2" DIAMETER CORNICE DRAIN WITH 90° OUTLET	49
Z185 6" DIAMETER CORNICE DRAIN WITH 90° OUTLET	50
Z187 6" X 7" OR 8" X 12" OBLIQUE SCUPPER DRAIN	50
Z189 5" X 6" X 11" SCUPPER DRAIN	51
Z190 VERTICAL EXPANSION JOINT	51
Z191 5" X 4" X 24" DOWNSPOUT BOOT	52
Z191-RD 4" X 18" DOWNSPOUT BOOT	52
Z192 4" X 3" DOWNSPOUT BOOT	53
Z193 VANDAL-PROOF HOODED VENT CAP	53
Z195 VENT STACK FLASHING SLEEVE	54
Z196 VENT STACK FLASHING SLEEVE	54
Z197 RISER SLEEVE	55
Z198 PARAPET SCUPPER SLEEVE	55
Z199 DOWNSPOUT NOZZLE	56
ZF199 CHAMELEON DOWNSPOUT NOZZLE WITH FLAPPER	57
Z199-DC DOWNSPOUT COVER	58
ZF7000 FLOW SENSOR	58

FLOOR DRAINS

FLOOR DRAINS - GENERAL INFORMATION	61
FLOOR DRAINS - APPLICATION INDEX	61
CAST IRON EZI™ NOMENCLATURE DECODER	62
Z300 THOROFLUSH DRAIN	63
Z310 THOROFLUSH DRAIN	63
Z315 VANDAL-PROOF ACCESS DRAIN	64
Z319 THOROFLUSH DRAIN - LARGE CAPACITY	64
Z320 REFRIGERATOR DRAIN	65
Z325 INDIRECT WASTE FUNNEL WITH INTEGRAL BACKWATER VALVE	65
Z326 INDIRECT WASTE FUNNEL	66
Z328 FUNNEL CONVERTING ASSEMBLY	66
Z329 FUNNEL CONVERTING ASSEMBLY	67
Z349 TERRACE PLANTING AREA DRAIN	68
Z350 PLANTING AREA DRAIN	68
Z355 PRISON CELL FLOOR DRAIN	69
Z400 "TYPE B" ROUND STRAINER WITH HEEL-PROOF SQUARE OPENINGS	69
ZS400 "TYPE BS" ROUND STRAINER WITH SLOTTED OPENINGS	70
Z400 "TYPE BL" ROUND STRAINER WITH DEX-O-TEX FLANGE	70
Z400 "TYPE C" ROUND HINGED STRAINER	71
Z400 "TYPE E" ROUND STRAINER WITH INTEGRAL FUNNEL	71
Z400 "TYPE G" ROUND STRAINER WITH DOME	72
Z400 "TYPE H" ROUND STRAINER WITH CLAMP DEVICE	72
Z400 "TYPE I" ROUND STRAINER WITH RAISED LIP	73
Z400 "TYPE J" RECTANGULAR STRAINER WITH HEEL-PROOF SLOTTED OPENINGS	73
Z400 "TYPE K" ANGULAR STRAINER	74
Z400 "TYPE M" ROUND STRAINER WITH SLOTTED OPENINGS AND SUR-SET BUCKET	74
Z400 "TYPE N" ROUND STRAINER WITH DEEP FLANGED GRATE	75
Z400 "TYPE S" SQUARE STRAINER	75
ZS400 "TYPE SS" SQUARE STRAINER	76
Z400 "TYPE SC" SQUARE STRAINER WITH SOLID HINGED COVER	76
Z400 "TYPE SH" SQUARE HINGED STRAINER	77
☉ Z400-SR FLOOR DRAIN STABILIZER RING	78
Z400-U ADJUSTABLE STRAINER EXTENSION	78
☉ Z400-18 LEVELING RING	78
☉ Z499B ROUND PROTECTIVE COVER FOR FLOOR DRAINS	79
☉ Z499S SQUARE PROTECTIVE COVER FOR FLOOR DRAINS	79

TABLE OF CONTENTS - BY SECTION

🕒 Z415-BZ1 BODY ASSEMBLY W/ "TYPE B" STRAINER AND EZ1™ TECHNOLOGY	80	Z512 12-1/4" HEAVY-DUTY DRAIN	115	Z673 29" X 30" EXTRA HEAVY-DUTY DRAIN	145
🕒 Z415-SZ1 BODY ASSEMBLY W/ "TYPE S" STRAINER AND EZ1™ TECHNOLOGY	81	Z513 9" SQUARE HINGED HEAVY-DUTY DRAIN	116	Z675 13-1/2" EXTRA HEAVY-DUTY DRAIN	146
🕒 Z415-BZ1-DP BODY ASSEMBLY W/ "TYPE B" STRAINER, DECK PLATE AND EZ1™ TECHNOLOGY	82	Z520 9-1/4" ADJUSTABLE HEAVY-DUTY DRAIN	117	Z676 13-1/2" EXTRA HEAVY-DUTY DRAIN	146
🕒 Z415-SZ1-DP BODY ASSEMBLY W/ "TYPE S" STRAINER, DECK PLATE AND EZ1™ TECHNOLOGY	83	Z521 12-1/4" DIAMETER ADJUSTABLE HEAVY-DUTY DRAIN	118	Z730 9" TOP MEDIUM-DUTY DRAIN	147
🕒 Z415B-DP BODY ASSEMBLY W/ "TYPE B" STRAINER AND DECK PLATE	84	Z526 12-1/4" ADJUSTABLE HEAVY-DUTY DRAIN	119	Z742 LIGHT-DUTY TRAP DRAIN	148
🕒 Z415S-DP BODY ASSEMBLY W/ "TYPE S" STRAINER AND DECK PLATE	85	Z530 9" MEDIUM-DUTY WIDE FLANGE DECK DRAIN	120	VP-DRIVER VANDAL-PROOF DRIVER	148
Z415 BODY ASSEMBLY WITH HEEL-PROOF "TYPE B" STRAINER	86	Z531 9" ADJUSTABLE FRAME WIDE FLANGE MEDIUM-DUTY DECK DRAIN	120	TRAPS, PRIMERS, AND BACKWATER VALVES	
ZS415 BODY ASSEMBLY WITH "TYPE BS" STRAINER	87	Z532 12-1/4" DIAMETER WIDE FLANGE HEAVY-DUTY FLOOR DRAIN	121	TRAPS, PRIMERS, AND BACKWATER VALVES – APPLICATION INDEX 150	
Z415 BODY ASSEMBLY WITH "TYPE BL" STRAINER	88	Z533 9" DIAMETER HEAVY-DUTY PARKING DECK DRAIN WITH SUPPORT FLANGE	121	TRAPS, PRIMERS, AND BACKWATER VALVES – OPTIONS AND VARIATIONS 150	
Z415 BODY ASSEMBLY WITH "TYPE C" STRAINER	89	Z534 12-1/4" DIAMETER HEAVY-DUTY PARKING DECK DRAIN WITH SUPPORT FLANGE	122	Z1072 ZSHIELD™ BARRIER TRAP SEAL DEVICE FOR FLOOR DRAINS 151	
Z415 BODY ASSEMBLY WITH "TYPE E" STRAINER	90	Z535 HEAVY-DUTY PARKING STRUCTURE DRAIN	122	Z1000 DEEP SEAL TRAP 152	
Z415 BODY ASSEMBLY WITH "TYPE G" STRAINER	91	Z536 15-3/8" DIAMETER HEAVY-DUTY PARKING DECK DRAIN WITH SUPPORT FLANGE	123	Z1019 FUNNEL DRAIN WITH "P" TRAP 152	
Z415 BODY ASSEMBLY WITH "TYPE H" STRAINER	92	Z537 15-7/8" SQUARE TOP HEAVY-DUTY PARKING DECK DRAIN WITH SUPPORT FLANGE	124	Z1020XL ELECTRONIC TRAP PRIMER 153	
Z415 BODY ASSEMBLY WITH "TYPE I" STRAINER	93	Z539 12-1/4" HEAVY-DUTY DRAIN WITH DEEP SUMP	124	Z1021 WATER SAVER TRAP PRIMER WITH 1-1/2" COPPER SWEAT WALL CONNECTION 153	
Z415 BODY ASSEMBLY WITH "TYPE J" HEEL-PROOF STRAINER	94	Z540 12-1/4" MEDIUM-DUTY DRAIN WITH SUR-SET BUCKET	125	Z1022-XL LEAD-FREE SANI-GARD AUTOMATIC TRAP PRIMER 154	
Z415 BODY ASSEMBLY WITH "TYPE K" STRAINER	95	Z541 12-1/4" DIAMETER HEAVY-DUTY DRAIN	126	Z1023 TRAP PRIMER CONNECTION ADAPTER 154	
Z415 BODY ASSEMBLY WITH "TYPE M" STRAINER AND SUR-SET BUCKET	96	Z545 16" DIAMETER HEAVY-DUTY DRAIN	127	Z1024 FIXED AIR GAP 155	
Z415 BODY ASSEMBLY WITH "TYPE N" STRAINER	97	Z546 21-1/2" DIAMETER EXTRA HEAVY-DUTY DRAIN	128	Z1025 FIXED AIR GAP 155	
Z415 BODY ASSEMBLY WITH "TYPE S" STRAINER	98	Z547 21" DIAMETER EXTRA HEAVY-DUTY HEEL-PROOF PARKING DECK DRAIN WITH SUPPORT FLANGE	128	Z1030 HUB ADAPTER 156	
ZS415 BODY ASSEMBLY WITH "TYPE SS" STRAINER	99	Z550 9" DIAMETER MEDIUM-DUTY DRAIN	129	Z1032 INSIDE CAULK REDUCER 156	
Z415 BODY ASSEMBLY WITH "TYPE SC" STRAINER	100	Z551 9" DIAMETER MEDIUM-DUTY DRAIN	130	Z1033 FEMALE PIPE THREAD REDUCER 157	
Z415 BODY ASSEMBLY WITH "TYPE SH" STRAINER	101	Z554 9" MEDIUM-DUTY DRAIN WITH SUR-SET BUCKET	131	Z1034 FEMALE PIPE ECCENTRIC REDUCER 157	
Z420 DEEP SHANK FLOOR AND SHOWER DRAIN FOR MARBLE AND GRANITE APPLICATIONS	102	Z556 8" ADJUSTABLE HEAVY-DUTY DRAIN	131	🕒 Z1035 FLOOR DRAIN INSTALLATION STABILIZER 158	
Z450 DRUM TRAP DRAIN WITH "TYPE B" STRAINER	103	Z566 12" SQUARE OPEN TOP DRAIN	132	🕒 Z1035-Q STRUCTURAL DECK DRAIN STABILIZER 158	
Z451 SHALLOW TRAP DRAIN WITH "TYPE B" STRAINER	104	Z575 6" X 12" MEDIUM-DUTY GUTTER DRAIN	132	🕒 Z1036 FLOOR DRAIN INSTALLATION STABILIZER 159	
Z453 DEEP SEAL TRAP DRAIN WITH "TYPE B" STRAINER	105	Z609 9" SQUARE HEAVY-DUTY DRAIN	133	Z1040 NO-HUB ADAPTER 159	
Z455 TRAP DRAIN WITH FLOOR CLEANOUT WITH "TYPE B" STRAINER	106	Z610 12-1/2" HEAVY-DUTY DRAIN	134	Z1042 ELBOW ADAPTER 160	
Z456 DEEP SEAL TRAP DRAIN WITH FLOOR CLEANOUT AND CLAMP COLLAR WITH "TYPE B" STRAINER	107	Z611 9" MEDIUM-DUTY DRAIN	135	Z1088 BACKWATER VALVE GATE TYPE 160	
Z460B SHALLOW BODY FLOOR DRAIN WITH SIDE OUTLET AND "TYPE B" STRAINER	108	Z624 ISOLATION DECK DRAIN	136	Z1090 BACKWATER VALVE FLAPPER TYPE 161	
Z461 6" SQUARE MODULAR NON-ADJUSTABLE FLOOR DRAIN WITH CLAMPING FRAME	109	Z625 ADJUSTABLE ISOLATION DECK DRAIN	136	Z1091 BACKWATER VALVE FLAPPER TYPE 161	
Z503 15" HEAVY-DUTY AREA DRAIN	109	Z627 HEAVY-DUTY ADJUSTABLE ISOLATION DECK DRAIN	137	Z1095 BACKWATER VALVE FLAPPER TYPE 162	
Z505 12" HEAVY-DUTY DRAIN	110	Z629 VERTICAL WALL DRAIN WITH BACKWATER VALVE	138	Z1099 BACKWATER VALVE BALL FLOAT TYPE 163	
Z507 7" MEDIUM-DUTY DRAIN	111	Z645 12-1/2" X 12-1/2" HEAVY-DUTY DRAIN	139		
Z508 9" EXTRA-HEAVY-DUTY DRAIN	112	Z662 16" HEAVY-DUTY DRAIN	140		
Z509 12-1/4" HEAVY-DUTY DRAIN	113	Z662-HF 16" HEAVY-DUTY DRAIN WITH HIGH FLOW DUCTILE IRON GRATE	141		
Z511 9" HEAVY-DUTY DRAIN	114	Z664 6" WIDE HEAVY-DUTY MODULAR TRENCH DRAIN	142		
		Z665 12" WIDE HEAVY-DUTY MODULAR TRENCH DRAIN	143		
		Z667 6" WIDE MEDIUM-DUTY MODULAR TRENCH DRAIN	144		
		Z668 11-1/4" X 19-1/4" HEAVY-DUTY DRAIN	144		

TABLE OF CONTENTS - BY SECTION

INTERCEPTORS

INTERCEPTORS – GENERAL INFORMATION	166
INTERCEPTORS – APPLICATION INDEX	166
GREASE INTERCEPTORS – PURPOSE	166
GREASE INTERCEPTORS – OPERATION	167
Z250H FOG-CEPTOR® INTERCEPTOR	168
Z1165 100 PPM GREASE INTERCEPTOR SYSTEM WITH SOLIDS INTERCEPTOR	169
Z1170 GREASE INTERCEPTOR	170
Z1170-UN GREASE INTERCEPTOR WITH USER NOTIFICATION SYSTEM	171
ZS1170 GREASE INTERCEPTOR STAINLESS STEEL	172
Z1171 LOW PROFILE GREASE INTERCEPTOR	173
Z1171-TD LOW PROFILE GREASE INTERCEPTOR WITH ACCUMULATING CONE AND FLOW CONTROL TEE	174
Z1172 LARGE CAPACITY GREASE INTERCEPTOR	175
Z1172-UN LARGE CAPACITY GREASE INTERCEPTOR WITH USER NOTIFICATION SYSTEM	176
Z1173 EJECTO-MATIC GREASE INTERCEPTOR	177
Z1173-TD EJECTO-MATIC GREASE INTERCEPTOR WITH GREASE ACCUMULATING CONE AND IN-LINE SHUTOFF VALVE	178
Z1174 GREASE EATING BACTERIA DOSING UNIT AND SOLIDS INTERCEPTOR COMBINATION	179
SOLIDS INTERCEPTORS – GENERAL PRODUCT INFORMATION	180
SOLIDS INTERCEPTORS – APPLICATION INDEX	180
SOLIDS INTERCEPTORS – SIZING	180
Z1175 HAIR INTERCEPTOR	181
Z1176 HAIR INTERCEPTOR	181
Z1180 SOLIDS INTERCEPTOR	182
Z1181 SOLIDS INTERCEPTOR	182
Z1182 SIDE ACCESS SOLIDS INTERCEPTOR	183
Z1183 SOLIDS INTERCEPTOR	183
Z1183-DF SOLIDS INTERCEPTOR WITH DISPOSABLE FILTER BAGS	184
Z1183-FC SOLIDS INTERCEPTOR WITH FLUSH COVER	185
Z1184 BOTTOM ACCESS SOLIDS INTERCEPTOR	186
Z1185 LINT INTERCEPTOR	187
OIL INTERCEPTORS – GENERAL PRODUCT INFORMATION	188
OIL INTERCEPTORS – APPLICATION INDEX	188
Z1186 OIL INTERCEPTOR	189
Z1186-ST OIL INTERCEPTOR WITH INTEGRAL STORAGE TANK	190
Z1187 SAND AND SEDIMENT INTERCEPTOR	191
Z1187-SI SAND INTERCEPTOR	192
Z1188 LARGE CAPACITY OIL INTERCEPTOR	193

Z1188-ST LARGE CAPACITY OIL INTERCEPTOR WITH INTEGRAL STORAGE TANK	194
Z1189 OIL/SEDIMENT INTERCEPTOR WITH HEAVY-DUTY GRATE	195
Z1194 OIL LEVEL SENSOR RETROFIT KIT	196
Z1196 OIL INTERCEPTOR WITH OIL LEVEL SENSOR	197
Z1198 LARGE CAPACITY OIL INTERCEPTOR WITH OIL LEVEL SENSOR	198
Z1198-ST LARGE CAPACITY OIL INTERCEPTOR WITH INTEGRAL STORAGE TANK AND OIL LEVEL FLOAT SENSOR	199

CARRIER SYSTEMS

CARRIER – APPLICATION INDEX	202
CARRIER – PRODUCT COMPLIANCE	202
CARRIER – TECHNICAL DATA	202
CARRIER – HOW TO SPECIFY	202
CARRIER – TECHNICAL DATA	203
Z1200 CARRIER TOOLS AND ACCESSORIES	204
⌚ Z1201-N_3-F EZCARRY® ADJUSTABLE HORIZONTAL NO-HUB WATER CLOSET WITH FLOOR MOUNT BACK OUTLET FIXTURE SUPPORT	206
⌚ Z1201-N_4-F EZCARRY® ADJUSTABLE HORIZONTAL NO-HUB WATER CLOSET WITH FLOOR MOUNT BACK OUTLET FIXTURE SUPPORT	207
⌚ Z1201-N EZCARRY® ADJUSTABLE HORIZONTAL HIGH PERFORMANCE SIPHON JET – NO-HUB SERIES	208
⌚ Z1201-H EZCARRY® ADJUSTABLE HORIZONTAL HIGH PERFORMANCE SIPHON JET – HUB AND SPIGOT SERIES	210
Z1201-N-XB EZCARRY® BARIATRIC CARRIER – 1000 LB ADJUSTABLE HORIZONTAL SIPHON JET – NO-HUB SERIES	212
Z1201-N-XH EZCARRY® EXTRA HEAVY-DUTY 750 LB ADJUSTABLE HORIZONTAL SIPHON JET – NO-HUB SERIES	213
⌚ ZE1201-N EZCARRY® ADJUSTABLE HORIZONTAL SIPHON JET WITH ELONGATED FITTING – NO-HUB SERIES	214
⌚ ZE1201-H EZCARRY® ADJUSTABLE HORIZONTAL SIPHON JET WITH ELONGATED FITTING – HUB AND SPIGOT SERIES	216
⌚ ZF1201-N EZCARRY® HORIZONTAL SIPHON JET ONE-PIECE CARRIER – NO-HUB SERIES	218
⌚ ZN1201-N EZCARRY® ADJUSTABLE HORIZONTAL SIPHON JET – NO-HUB NARROW WALL SYSTEM (9-3/8" DEPTH FRONT TO BACK)	219
⌚ Z1202-N EZCARRY® ADJUSTABLE VERTICAL HIGH PERFORMANCE SIPHON JET – NO-HUB SERIES	220
⌚ Z1202-H EZCARRY® ADJUSTABLE VERTICAL HIGH PERFORMANCE SIPHON JET – HUB AND SPIGOT SERIES	222
Z1202-N-XB EZCARRY® BARIATRIC CARRIER – 1000 LB ADJUSTABLE VERTICAL SIPHON JET – NO-HUB SERIES	224
Z1202-N-XH EZCARRY® EXTRA HEAVY-DUTY 750 LB ADJUSTABLE VERTICAL SIPHON JET – NO-HUB SERIES	225
⌚ ZF1202-N EZCARRY® VERTICAL SIPHON JET ONE-PIECE CARRIER – NO-HUB SERIES	226
⌚ ZN1202-N EZCARRY® ADJUSTABLE VERTICAL SIPHON JET – NO-HUB NARROW WALL SYSTEM	227
Z1203-N ADJUSTABLE HORIZONTAL SIPHON JET – NO-HUB SERIES	228
Z1203-H ADJUSTABLE HORIZONTAL SIPHON JET – HUB AND SPIGOT SERIES	230
⌚ ZE1203-N ADJUSTABLE HORIZONTAL SIPHON JET WITH ELONGATED FITTING – NO-HUB SERIES	232
⌚ ZE1203-H ADJUSTABLE HORIZONTAL SIPHON JET WITH ELONGATED FITTING – HUB AND SPIGOT SERIES	234
Z1204-H ADJUSTABLE VERTICAL SIPHON JET – HUB AND SPIGOT SERIES	236
Z1204-N ADJUSTABLE VERTICAL SIPHON JET – NO-HUB SERIES	238
Z1207-N ADJUSTABLE HORIZONTAL HIGH ROUGH-IN SIPHON JET – NO-HUB	240
Z1208-N VERTICAL SIPHON JET WATER CLOSET SUPPORT SYSTEM – NO-HUB	241
Z1208-H VERTICAL SIPHON JET WATER CLOSET SUPPORT SYSTEM – HUB AND SPIGOT	242
Z1209-N VERTICAL OFFSET SIPHON JET WATER CLOSET SUPPORT SYSTEM – NO-HUB	243
ZN1209-N VERTICAL OFFSET SIPHON JET – NO-HUB NARROW WALL SYSTEM	244
Z1212 WALL CLOSET SUPPORT SYSTEM	245
Z1213-N 4" VERTICAL SIPHON JET WATER CLOSET SUPPORT SYSTEM – 2" OR 4" TOP VENT CLOSET FITTING ONLY (NO SUPPORT)	246
Z1216 90° DOUBLE NO-HUB SYSTEM FOR FLOOR MOUNTED BACK OUTLET WATER CLOSETS	247
Z1217 COUPLING TYPE SYSTEM – WALL URINAL/SERVICE SINK	248
Z1218 COUPLING TYPE SYSTEM – WALL URINAL/SERVICE SINK	249
Z1221 PLATE TYPE SYSTEM – WALL URINALS	250
Z1222 PLATE TYPE SYSTEM – WITH BEARING PLATE	250
Z1223 PLATE TYPE SYSTEM – TROUGH URINALS	251
Z1224 PLATE TYPE SYSTEM – LAVATORY WITH BACK	251
Z1225 PLATE TYPE SYSTEM – WATER COOLERS	252
Z1229 PLATE AND EXPOSED ARM – HEAVY SINKS	252
Z1231 CONCEALED ARM SYSTEM – WALL LAVATORIES	253
⌚ Z1231EZ UNIVERSAL LAVATORY CARRIER – WALL LAVATORIES	253
Z1236 EXPOSED ARM SYSTEM – WALL LAVATORIES/SINKS	254
Z1251 CONCEALED ARM SYSTEM – WALL SUPPORTED	255
Z1253 ADJUSTABLE CONCEALED ARM SYSTEM – WALL SUPPORTED	255
Z1255 EXPOSED ARM SYSTEM – WALL SUPPORTED	256
Z1256 EXPOSED ARM SYSTEM – WALL SUPPORTED	257
Z1257 EXPOSED ARM SYSTEM – WALL SUPPORTED	257

TABLE OF CONTENTS - BY SECTION

Z1258 EXPOSED ARM SYSTEM – WALL SUPPORTED	258
Z1259 PLATE SYSTEM – WALL SUPPORTED	259
Z1280 WOOD STUD SUPPORTED WATER CLOSET CARRIER – NO-HUB	260
Z1282 WOOD STUD SUPPORTED WATER CLOSET CARRIER – HUB AND SPIGOT	260
Z1283 WOOD STUD SUPPORTED WATER CLOSET CARRIER – PLASTIC PIPE	261
Z1284 CONCRETE FLOOR SUPPORTED WATER CLOSET CARRIER	261
Z1285 WOOD STUD SUPPORTED WATER CLOSET CARRIER	262

HYDRANTS

HYDRANTS - APPLICATION INDEX	264
Z1300 ECOLOTROL WALL HYDRANT – ENCASED, NON-FREEZE, ANTI-SIPHON, AUTOMATIC DRAINING	265
Z1305 WALL HYDRANT – ENCASED, NON-FREEZE	265
Z1310 ECOLOTROL WALL HYDRANT – EXPOSED, NON-FREEZE, ANTI-SIPHON, AUTOMATIC DRAINING	266
Z1315 WALL HYDRANT – EXPOSED, NON-FREEZE	266
Z1320XL ECOLOTROL CERAMIC DISC WALL HYDRANT – ENCASED, NON-FREEZE, ANTI-SIPHON, AUTOMATIC DRAINING	267
⌚ Z1320XL-EZ ECOLOTROL CERAMIC DISC WALL HYDRANT – ENCASED, NON-FREEZE, ANTI-SIPHON, AUTOMATIC DRAINING	267
Z1321XL ECOLOTROL CERAMIC DISC WALL HYDRANT – EXPOSED, NON-FREEZE, ANTI-SIPHON, AUTOMATIC DRAINING	268
⌚ Z1322XL-EZ ECOLOTROL CERAMIC DISC WALL HYDRANT – EXPOSED, NON-FREEZE, ANTI-SIPHON, AUTOMATIC DRAINING	269
Z1325 WALL HYDRANT – ENCASED, VARI-TEMP, NON-FREEZE	270
⌚ Z1327-EZ NARROW WALL HOT/COLD HYDRANT WITH MOUNTING BRACKETS – ENCASED, MODERATE CLIMATE	270
Z1330XL ECOLOTROL CERAMIC DISC WALL HYDRANT – ENCASED, ANTI-SIPHON, AUTOMATIC DRAINING, MODERATE CLIMATE	271
⌚ Z1332XL-EZ ECOLOTROL CERAMIC DISC WALL HYDRANT – ENCASED, ANTI-SIPHON, AUTOMATIC DRAINING, MODERATE CLIMATE	271
Z1333XL ECOLOTROL CERAMIC DISC WALL HYDRANT – EXPOSED, ANTI-SIPHON, AUTOMATIC DRAINING, MODERATE CLIMATE	272
Z1335 WALL HYDRANT – ENCASED, MODERATE CLIMATE	272
Z1350 NARROW WALL HYDRANT – ENCASED, MODERATE CLIMATE	273
⌚ Z1350-EZ NARROW WALL HYDRANT WITH MOUNTING BRACKETS – ENCASED, MODERATE CLIMATE	273
Z1360XL GROUND HYDRANT – ENCASED, FLUSH TYPE, NON-FREEZE	274

Z1365 GROUND HYDRANT – ENCASED, FLUSH TYPE, NON-FREEZE	275
Z1370 GROUND HYDRANT – ENCASED, HOSE STORAGE, NON-FREEZE	276
Z1375 GROUND HYDRANT – ENCASED, MODERATE CLIMATE, INTERIOR USE	277
Z1385 POST HYDRANT – EXPOSED HEAD, NON-FREEZE	277
Z1388XL ROOF HYDRANT – EXPOSED HEAD, NON-FREEZE	278
Z1390 POST HYDRANT – EXPOSED HEAD, NON-FREEZE	278
Z1395XL YARD HYDRANT – EXPOSED HEAD, NON-FREEZE	279
Z1397XL FLO-TROL YARD HYDRANT – EXPOSED HEAD, NON-FREEZE	280

CLEANOUTS

CLEANOUTS – APPLICATION INDEX	282
⌚ Z1400-BZ1 FLOOR CLEANOUT WITH "TYPE B" COVER AND EZ1™ TECHNOLOGY	283
⌚ Z1400-SZ1 BODY ASSEMBLY W/ "TYPE S" COVER AND EZ1™ TECHNOLOGY	284
⌚ Z1400-BZ1-DP BODY ASSEMBLY W/ "TYPE B" COVER, DECK PLATE AND EZ1™ TECHNOLOGY	285
⌚ Z1400-SZ1-DP BODY ASSEMBLY W/ "TYPE S" COVER, DECK PLATE AND EZ1™ TECHNOLOGY	286
⌚ Z1400B-DP BODY ASSEMBLY W/ "TYPE B" COVER AND DECK PLATE	287
⌚ Z1400S-DP BODY ASSEMBLY W/ "TYPE S" COVER AND DECK PLATE	288
Z1400 EXTRA HEAVY-DUTY "LEVEL-TROL" ADJUSTABLE FLOOR CLEANOUT	289
Z1400-K HEAVY-DUTY "LEVEL-TROL" ADJUSTABLE FLOOR CLEANOUT WITH ANCHOR FLANGE	290
Z1402 HEAVY-DUTY NON-ADJUSTABLE FLOOR CLEANOUT	291
Z1404 HEAVY-DUTY FLOOR ACCESS HOUSING	292
Z1406 HEAVY-DUTY ADJUSTABLE SPIGOT CLEANOUT	292
Z1440 CLEANOUT FERRULE WITH PLUG	293
Z1445 CLEANOUT TEE	294
Z1446 CLEANOUT WITH ROUND WALL ACCESS COVER	294
Z1449 CLEANOUT FERRULE WITH PLUG	295
Z1454 ADJUSTABLE FLOOR CLEANOUT WITH FLASHING FLANGE	295
Z1456 DECK CLEANOUT	296
Z1457 FLOOR ACCESS COVER	296
Z1460 SQUARE WALL ACCESS PANEL	297
Z1461 SQUARE HINGED ACCESS PANEL	297
Z1462 SECURED WALL ACCESS PANEL	298
Z1463 ROUND SCORIATED ACCESS COVER	298
Z1464 WATER SUPPLY CONTROL BOX ASSEMBLY	299
Z1468 ACCESS COVER AND PLUG	299

Z1469 ROUND ACCESS COVER	300
Z1470 BRONZE CLEANOUT PLUG	300
Z1471 AIR INLET	301
Z1474 HEAVY-DUTY CLEANOUT HOUSING	301

WATER HAMMER ARRESTORS

Z1700 SHOKTROLS	304
Z1712 ACCUMUTROL	304

STAINLESS STEEL DRAINS

STAINLESS STEEL DRAINS – APPLICATION INDEX	306
STAINLESS STEEL DRAINS – BUTT-WELD ENGINEERING DATA	306
Z1715 15" DIAMETER ROOF DRAIN	307
Z1717 SCUPPER DRAIN	307
Z1720 4" X 8" OPEN SIGHT DRIP DRAIN	308
Z1721 6" X 12" OPEN SIGHT DRIP DRAIN	308
Z1724 ROUND FUNNEL	309
Z1725 OVAL FUNNEL	309
Z1726 ADJUSTABLE MEDIUM DUTY FLOOR DRAIN WITH ROUND TOP	310
Z1727 ADJUSTABLE MEDIUM DUTY FLOOR DRAIN WITH SQUARE TOP	311
Z1730 9" DIAMETER HEAVY-DUTY SHALLOW TYPE FLOOR DRAIN	312
Z1731 9" DIAMETER HEAVY-DUTY MEDIUM DEPTH FLOOR DRAIN	312
Z1732 9-5/8" DIAMETER HEAVY-DUTY ADJUSTABLE FLOOR DRAIN	313
Z1735 12" DIAMETER HEAVY-DUTY FLOOR DRAIN	313
Z1736 12" DIAMETER EXTRA HEAVY-DUTY FLOOR DRAIN	314
Z1737 15" DIAMETER EXTRA HEAVY-DUTY FLOOR DRAIN	314
Z1739 PIT DRAIN	315
Z1740 BACKWATER VALVE	315
Z1745 FLOOR CLEANOUT WITH O-RING SEAL PLUG	316
Z1749 12" X 12" SANI-FLOOR RECEPTOR WITH 4" SUMP DEPTH	317
Z1750 12" X 12" SANI-FLOOR RECEPTOR WITH 6" SUMP DEPTH	318
Z1751 12" X 12" SANI-FLOOR RECEPTOR WITH 8" SUMP DEPTH	319
Z1752 12" X 12" SANI-FLOOR RECEPTOR WITH 10" SUMP DEPTH	320
Z1755 13-3/8" SQUARE SANI-FLOOR RECEPTOR 6" SUMP WITH ADJUSTABLE CLAMP FRAME	321
Z1761 24-5/16" SQUARE KETTLE DRAIN WITH 8" SUMP DEPTH	321
Z1762 25" X 15-1/2" KETTLE DRAIN	322
Z1763 37-9/16" X 22-7/8" KETTLE DRAIN	322

TABLE OF CONTENTS - BY SECTION

SANI-FLOR RECEPTORS

SANI-FLOR RECEPTORS – MATERIAL SELECTION	324
SANI-FLOR RECEPTORS – OPTIONS AND VARIATIONS	324
Z1900 12" X 12" A.R.E. SANI-FLOR RECEPTOR WITH 6" SUMP DEPTH	325
🕒 Z1900-RL 12" X 12" X 6" REPLACEMENT FLOOR SINK LINER	326
Z1901 12" X 12" A.R.E. SANI-FLOR RECEPTOR WITH 8" SUMP DEPTH	327
🕒 Z1901-RL 12" X 12" X 8" REPLACEMENT FLOOR SINK LINER	328
Z1902 12" X 12" A.R.E. SANI-FLOR RECEPTOR WITH 10" SUMP DEPTH	329
🕒 Z1902-RL 12" X 12" X 10" REPLACEMENT FLOOR SINK LINER	330
🕒 Z1903 SANI-FLOR RECEPTOR INSTALLATION STABILIZER	330
Z1910 8" X 8" A.R.E. SANI-FLOR RECEPTOR WITH 6" SUMP DEPTH	331
🕒 Z1910-RL 8" X 8" X 6" REPLACEMENT FLOOR SINK LINER	332
Z1920 16" X 16" A.R.C. SANI-FLOR RECEPTOR WITH 7" SUMP DEPTH	333
Z1926 16" X 16" A.R.C. SANI-FLOR RECEPTOR WITH 12" SUMP DEPTH	334
Z1930 8" X 4" A.R.C. SANI-FLOR RECEPTOR WITH 4" SUMP DEPTH	335
Z1940 12" X 6" A.R.C. SANI-FLOR RECEPTOR WITH 8" SUMP DEPTH	336
Z1950 12" DIAMETER A.R.E. SANI-FLOR RECEPTOR WITH 8" SUMP DEPTH	337
Z1960 8" DIAMETER A.R.E. SANI-FLOR RECEPTOR WITH 6" SUMP DEPTH	338
Z1970 9" DIAMETER SHALLOW A.R.C. SANI-FLOR RECEPTOR WITH 3" SUMP DEPTH	339
Z1982 12" X 12" STAINLESS STEEL SANI-FLOR CAN WASH DRAIN WITH 8" SUMP DEPTH	340
Z1995 24" X 16" A.R.C. SANI-FLOR RECEPTOR WITH 17" SUMP DEPTH	340

TECHNICAL INFORMATION

TECHNICAL INFO - ZURN OUTLET PIPE CONNECTIONS	342
TECHNICAL INFO - TOP LOADING CLASSIFICATION	343
TECHNICAL INFO - ZURN MATERIALS AND FINISHES	344
ALPHANUMERIC INDEX	348
GENERAL TERMS AND CONDITIONS	352

NOTE: Items designated as best sellers are most specified and are generally in stock for shipment.

 **Z100 FLOFORCE™**



There Is No Equal

Z100 FloForce High Performance Roof Drain was designed to promote flow efficiency. The efficiency of this new drain is realized through a redesigned system, which optimizes the flow, at lower head depths.

To develop FloForce, we stepped back to the very beginning. Our engineers collaborated with industry partners, calculated possible enhancements, prototyped model after model, and tested and validated each iteration in our US-based facility.

The FloForce parabolical design and enhancements are engineered to flow at a lower head depth. The new drain was designed with the engineer, contractor, building owner, and roofer in mind. Beyond quick and effective evacuation, the unique dome and gravel guard limit debris and roof damage.

Reach your roof's flow potential, from install through torrential rainfall.

Reach Your Roof's Flow Potential

Up to Code

With emerging codes, engineers require real data for every roof drain. So, we determined the ideal specs and demonstrated the data for our go-to-market model.

- Over 2 years of prototypes paved the way to our FloForce today.
- Authentic flow data allows engineers to meet IPC code requirements during specification.
- Flow Curves provide the data Engineers need to calculate roof specification.
- Testing process adheres with ASME A112.6.4 testing criteria.

Easy Install

We solved for our contractor customers too. The labor-saving design eliminates pains and costs during installation.

- Optimized storm evacuation that may result in fewer systems required on each roof.
- Membrane-cut ridge and site holes ensures proper installation without hindering future performance.
- No sharp corners reduce risk of injury on the job.
- One-person installation saving time and money on the jobsite.

Superior Performance

A lot happens on a roof that we don't see. Debris, standing water, unpredictable weather—FloForce keeps up by design, so building owners can have peace of mind.

- Parabolic design creates laminar flow and evacuates water off the roof at lower head depths to create safer environment.
- Improved flow performance provides a more efficient system
- Unique dome and gravel guard design increase open area to maximize water drainage while limiting debris.
- Lean body and ladder pattern inhibit obstructions to slow things down.



- Partially recessed installation depth
 - Sculpted waterfall shape
 - Bosses moved outside of flow path
 - Added circular-cut edge
-
- Teardrop-shaped gravel guard
 - Smooth V-notch openings more than tripled the quantity of openings compared to a traditional design
-
- Staggered horizontal ribs which reduce isolated flow restrictions
 - Greater open area per inch of dome height

FloForce sets the new standard in roof drainage. Visit zurn.com/floforce, and never drain the same.



Patented

🕒 Z250H FOG-CEPTOR® INTERCEPTOR

Separating Itself from the Competition, FOG-ceptor Provides a Fast, Cost-Effective Solution When It Matters Most



When your interceptor fails, you need a fast, easy solution to get your business operating again. The Z250H FOG-ceptor interceptor is cost-effective, easy to maintain and ships within 24-48 hours. Backed by a 30-year warranty, the FOG-ceptor is made of durable fiberglass, and provides superior performance with less maintenance. Choose Zurn for innovative product solutions; a name you can trust for all your commercial plumbing needs.

Total package shipped and ready for installation

Versatile

- Reduces maintenance with smooth, fiberglass construction for fast, complete pump-outs and easy rinse down – SAVING TIME AND MONEY
- Replaces failed interceptors in buried and above ground applications including in-kitchen, exterior landscaped or traffic-rated areas, semi-recessed, and burial installations
- Retrofits fat, oil, or grease interceptors, with superior performance for the life of your building

Reliable

- Locally stocked for fast delivery- keeping your business running with minimal disruption
- Third-party certified to national performance standards PDI and UPC
- Reliable performance, backed by a 30-year guarantee



Optional: Electronic monitoring Smartpro® wireless system monitors grease and sediment with the push of a button



🕒 This symbol denotes a product that is engineered to reduce installation and rework time. For additional product information, please visit zurn.com/laborsavings

See page 200 for ordering information.



A SPEEDY SETUP

Sold complete and ready to install, EZ1 is an intuitive product that saves contractors time and money.

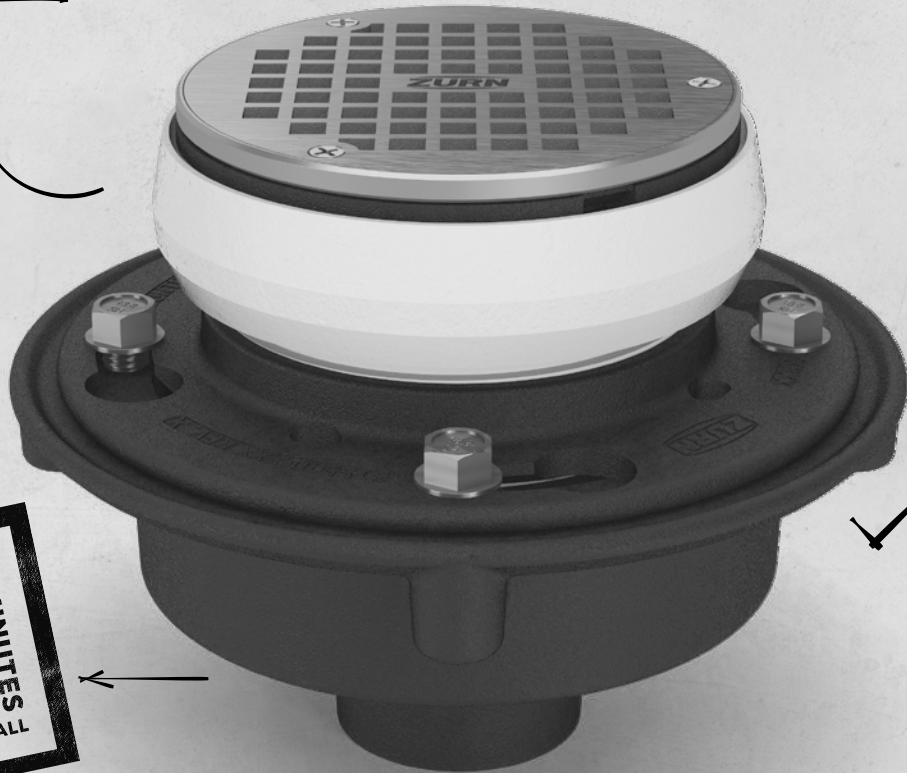
LONG-TERM DURABILITY

Whether cast iron or plastic, EZ1 is crafted to stand up against wear and tear over the product's lifecycle.



DESIGNED TO RUN LIKE CLOCKWORK

EZ1's integrated engineering, which includes an easy post-pour adjustment and tilt accessory package, delivers high-level functionality and requires minimal skill to install or maintain.



Introducing the EZ1™, It's About Time

Contractors have waited long enough for a floor drain that's easy to install and built for the long haul. Zurn's EZ1—available in cast iron and plastic—comes out of the box as a complete system, allows for post-pour adjustment with an integrated strainer, provides job-site flexibility and maintains ongoing reliability.

Don't hesitate. Make the EZ choice. *Learn more at zurn.com/ez1*



ZURN.COM
US 1.855.ONE.ZURN CANADA 1.877.892.5216



PRODUCT HIGHLIGHT

ZURN[®]

Patented

🕒 **STABILIZER SOLUTIONS**

Stabilization Achieved with Zurn's Patented Solutions for Common Installation Concerns



Labor Savings

- System secures drain to stub-out pipe, sub floor or structural deck to prevent movement during installation process
- Pre-assembly to rough-in height allows for quick and easy job site placement
- Stabilizing system keeps drain secured in concrete, eliminating the need for fire stop, drypack, and grout to hold the drain in place

Versatility

- Z400-SR Stabilizing Ring for 8-3/8" floor drain for stub out installation
- Z1035 Stabilizer Plate for 8-3/8" floor drain and Z1400-K cleanout for sub floor installation
- Z1035-Q Stabilizer Plate for 8-3/8" floor drain and Z1400-K cleanout for structural deck installation
- Z1036 Stabilizer Plate for 12" and 15" sub floor installation
- Z1903 Stabilizer Plate for Z1900 A.R.E floor sink and Z1750 stainless floor sinks for sub floor installation

🕒 This symbol denotes a product that is engineered to reduce installation and rework time.
For additional product information, please visit zurn.com/laborsavings

See pages 78, 158-159, 330 for ordering information.



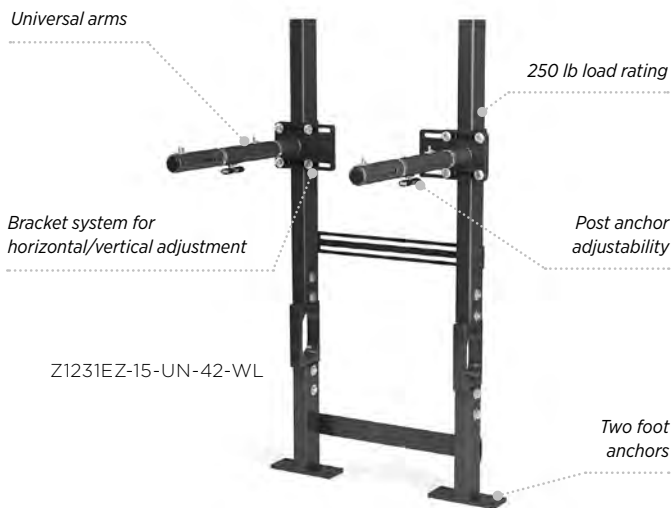
Patent Pending

🕒 **Z1231EZ UNIVERSAL LAVATORY CARRIER**

Leave Your Carrier Code Book Behind



Whether you're a prefab contractor or the project engineer, our EZ Lavatory Carrier easily adapts to any application on the jobsite. The carrier features universal arms, an independent horizontal and vertical bracket system, and only two anchors per upright foot. You'll save steps without sacrificing strength behind the wall or compliance down the line.



Meet All Project Requirements

No more paging through codes for compatibility or upfront staging. The carrier's universal arms allow contractors to adjust height in the field and assemble with virtually any sink application.

Set Up Horizontally or Vertically

This is the only carrier on the market with an independent bracket system you can position horizontally or vertically. The intuitive, flexible connection system works with the site's configuration—not the other way around.

Save Steps with Less Foot Anchors

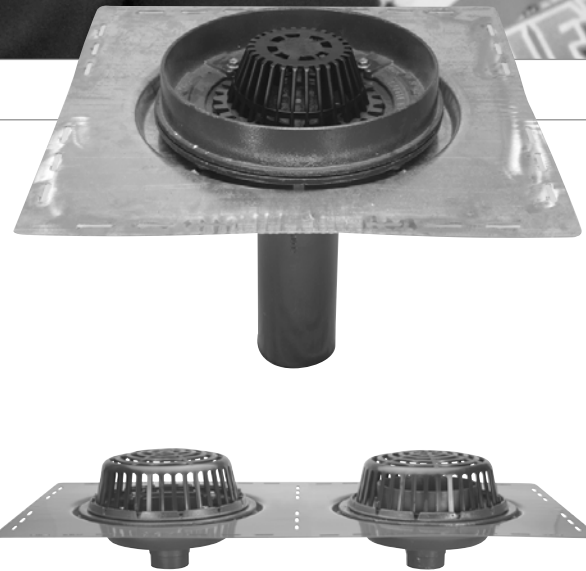
Cut your install time and costs in half. Instead of four foot anchors, this carrier secures in place with two. The anchors support up to 250 lbs, while limiting floor penetrations and eliminating the need for relegging.

Take the labor out of your next lavatory installation. Specify your next project at inspec.zurn.com.

Patented

🕒 **ZURN TOP-SET® DECK PLATE**

The -DP Option is Top of Class, with a Proven Feature Set That Will Save Time and Money

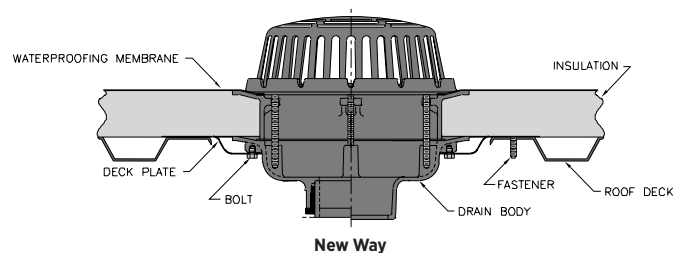
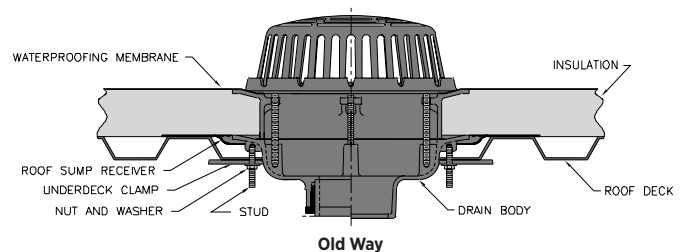


Labor Saving

- -DP option features ease of installation for quick job completion
- Entire roof drain assembly installed from topside of roof requiring only pipe connection underside roof
- Deck plate replaces the need for separate under deck clamps and roof-sump receivers
- Pipe connection is completed

Versatility

- Three size (-DP) for trouble-free fit 8", 12", and 15" diameter drains
- Multiple slot arrangements to accommodate a variety of roof decks
- Constructed of 14-gauge steel with a corrosive-resistant finish



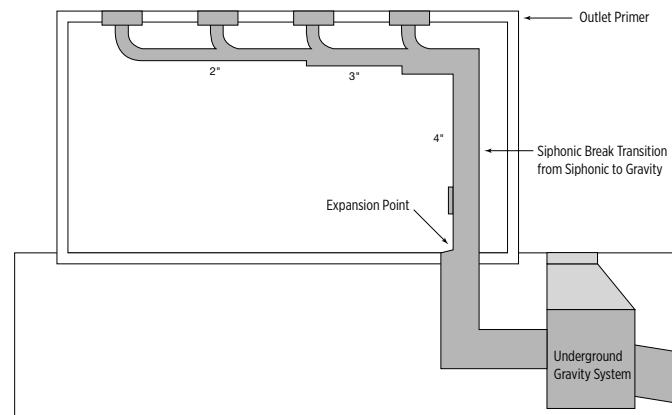
🕒 This symbol denotes a product that is engineered to reduce installation and rework time. For additional product information, please visit zurn.com/laborsavings

See (-DP) in the roof drain section for ordering information.



⌚ **Z130 SIPHONIC ROOF DRAIN WITH DECK PLATE**

Full-Bore Flow Achieved
Siphonic Technology
Provides a Higher Velocity
and Flow Volume



Siphonic Roof Drain System

How It Works

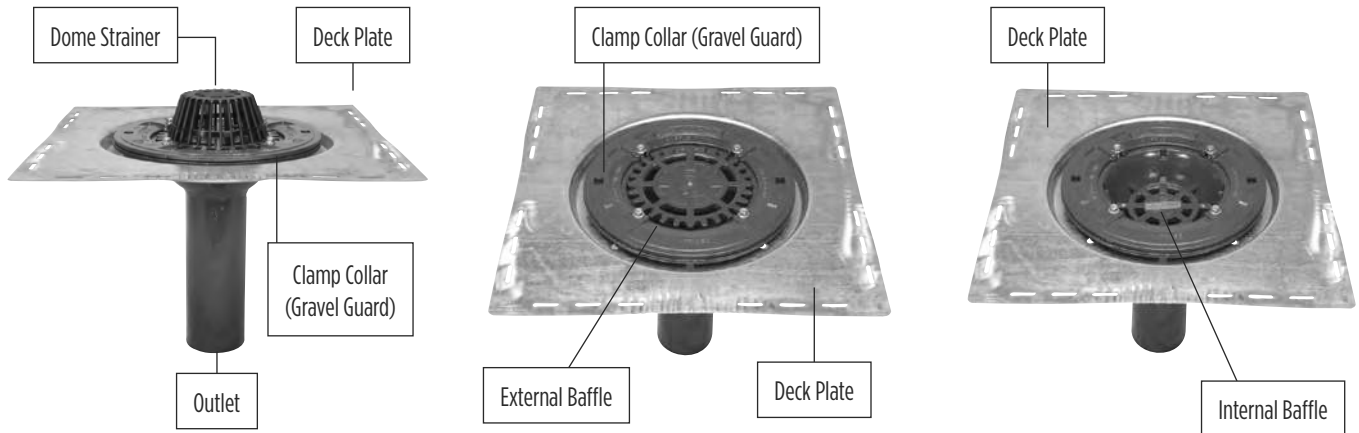
- Siphonic drainage can be achieved by adding/securing a highly engineered air baffle to the sump of a standard conventional drain
- This air baffle prevents vortex flow while restricting air from entering the vertical tailpipe and horizontal collector piping
- As water forces air out, a negative head pressure is created in the collector pipe and the water is sucked off the roof
- In a Zurn Siphonic Drain, full-bore flow occurs with 2" of water above the air baffle
- Multiple drains can flow into a common horizontal collector pipe. This pipe eventually turns downward into a vertical downspout and transfers to conventional gravity drainage when below grade.
- When not operating under full flow, the system drains like a gravity system

Benefit Summary of a Zurn Siphonic System

- No pitch requirement in piping to induce flow
- Smaller pipe diameters get equal flow rates
- Flow Rates of Zurn Siphonic:
2" - 149 gpm, 3" - 380 gpm, 4" - 704 gpm
- Vertical stack placement is flexible
- No cleanouts necessary in system. Higher flow velocities help to clean pipes
- More efficient than conventional drainage
- Use of recycled materials

🕒 Z130 SIPHONIC ROOF DRAIN WITH DECK PLATE

Components of a Siphonic System



Plan a Custom Siphonic System

To determine the number of drains:

1. Select location of the drains on the roof.
2. Select the location of the down pipe.
3. Horizontal collector pipe length should not exceed 20 times the building height.
4. Maximum distance between SDS drains with a common collector pipe is 65 feet.
5. Use the chart below to select the number of drains based on square feet and rainfall data.

Note: This tool can be used for a quick estimate for number of drains - must have system designed by Zurn for complete piping layout.

Siphonic Design Questions

Please fill out the questions below along with building plans including roof layout and building sections as a DWG file.

1. What kind of roof construction is it? (details, surface)
2. What are the measurements of the sections of the roof?
3. Is there a specific location the roofer would like the drains to be placed?
4. Will a rainwater harvesting system be used on this project?
5. What is the rainfall data for the area?
6. Do you have ground plans for the building sections?
7. Where do you want the down pipe located?
8. What material of piping are you using? (PVC, cast iron)
9. What is the minimum height of the horizontal drainage pipe?
10. Are there any specific areas where drains cannot be located?
11. Are overflow drains required?

SDS with Air Baffle, Machined Collar Clamp, and Zurn Dome

ROOF DRAIN VERTICAL REQUIREMENT FOR HORIZONTAL ROOF AREAS AT VARIOUS RAINFALL RATES											
LEADER SIZE		HOURLY RAINFALL IN INCHES									
PIPE SIZE (IN.)	OPEN AREA (SQ. IN.)	1	1.5	2	2.5	3	4	5	6	7	8
		TOTAL SQUARE FOOTAGE COVERED PER DRAIN*									
2	2.66	14,188	9,458	7,094	5,675	4,729	3,547	2,837	2,364	2,026	1,773
3	6.33	36,614	24,409	18,307	14,645	12,204	9,153	7,322	6,102	5,230	4,576
4	12.17	67,736	45,157	33,868	27,094	22,578	16,934	13,547	11,289	9,676	8,467

*Theoretical value based on ideal condition of our tests in the University of Munich (without safety factor).



GREEN ROOFING DRAINAGE SOLUTIONS

It's Easy Being Green

Having proper drainage on a green roof is a critical aspect of the system. If the system is not able to drain properly, it can negatively impact the vegetation due to over-saturation of the soil. As the soil takes on excessive amounts of water, it continues to add weight to the roofing structure. This added load has the potential to compromise the structural integrity of the roof. In order to prevent these situations from occurring, the roof drain must allow adequate flow through the drain at all times.

Performance

Stainless steel perforated extension allows for optimal flow into the roof drain while simultaneously keeping debris out.

Ease of Maintenance

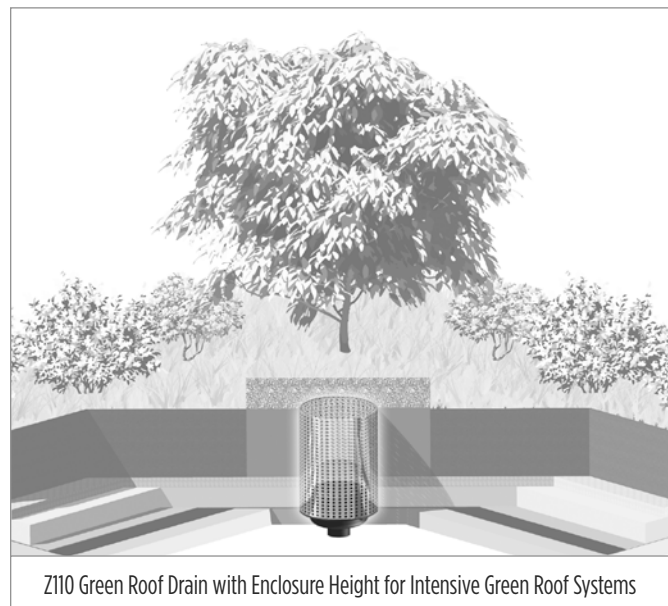
Removable lid allows for easy routine maintenance.

Versatility

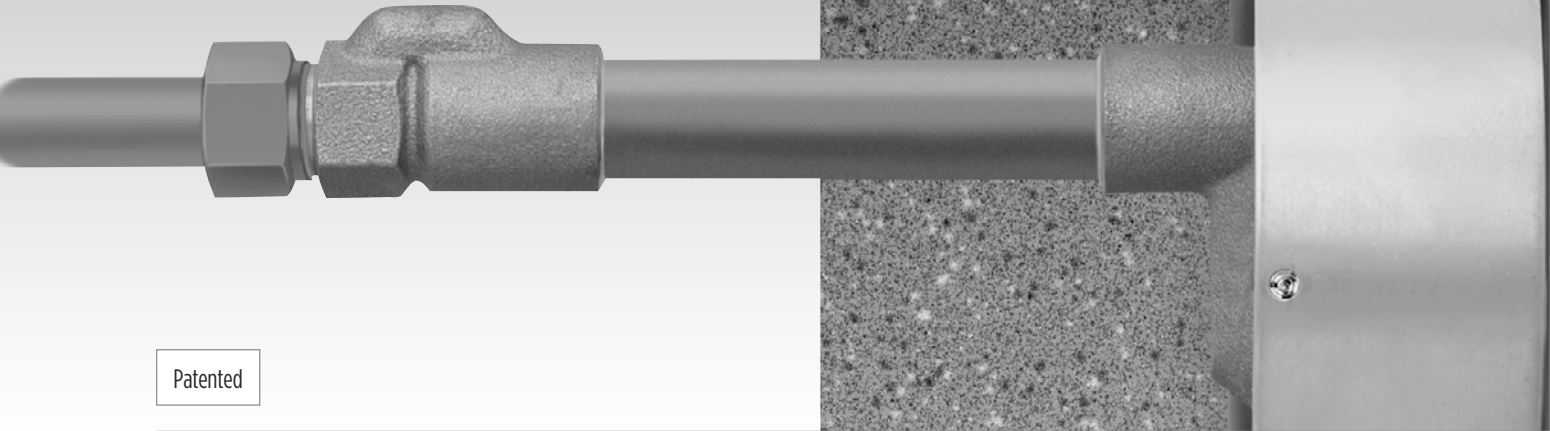
Customizable enclosures guarantee the roof drain aligns with the green roof surface and offer an aesthetically appealing finish to the roof environment.

Flexibility

Simplify the installation process by customizing the order to ship the perforated extension after the drain has been installed



Z110 Green Roof Drain with Enclosure Height for Intensive Green Roof Systems



Patented

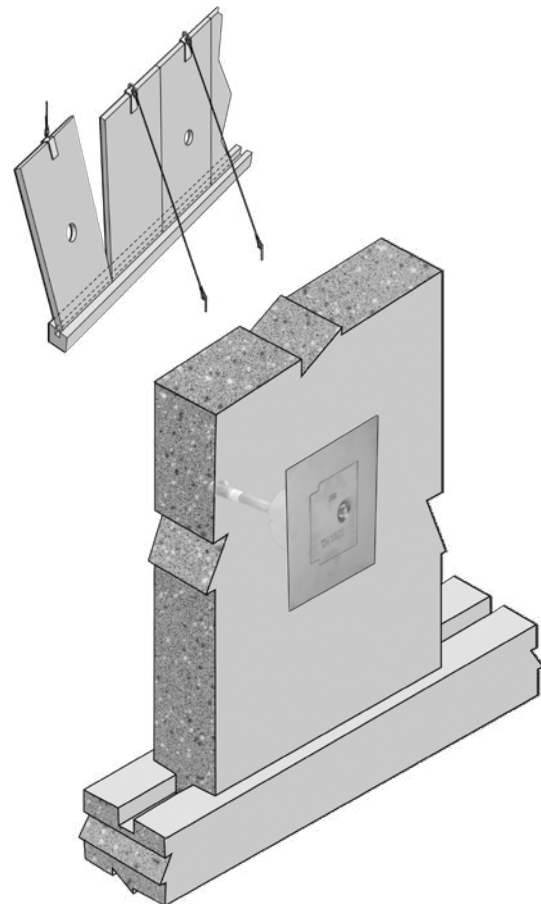
Ⓢ **A PERFECT FIT: Z1322XL-EZ AND Z1332XL-EZ ECOLOTROL™ WALL HYDRANTS**

For Installation in Tilt-Up Construction

The 7-7/8" diameter sleeve of the Zurn Z1322-EZ and Z1332-EZ Ecolotrol wall hydrants is designed exclusively for tilt-up installations. They have many benefits over square or rectangular hole type installations, including:

- Coring a 6" diameter hole in the wall results in time and labor savings over trying to hammer drill a square or rectangular hole
- Coring makes a smooth and clean cut opening without damaging the wall or chipping the interior wall surface, whereas a square or rectangular hole can crack or damage the precast wall during hammer drilling
- Smooth interior wall surface is easy to insulate (if required)
- No materials or labor are required to repair the interior wall surface
- Round sleeves have holes that allow the installer to secure them to the wall with hardware
- Wide box face fit flush with the wall surface and covers the 6" diameter hole
- Square box face flanges provide surface areas that seal and waterproof (if required)
- Tight, secure fit delivers vermin-proof installation

Z1322XL-EZ and Z1332XL-EZ Ecolotrol lead-free wall hydrants offer a safe, reliable solution that exceeds federal requirements.





Patented

Ⓢ **EZ HYDRANTS: Z1327-EZ, Z1350-EZ, Z1320XL-EZ**

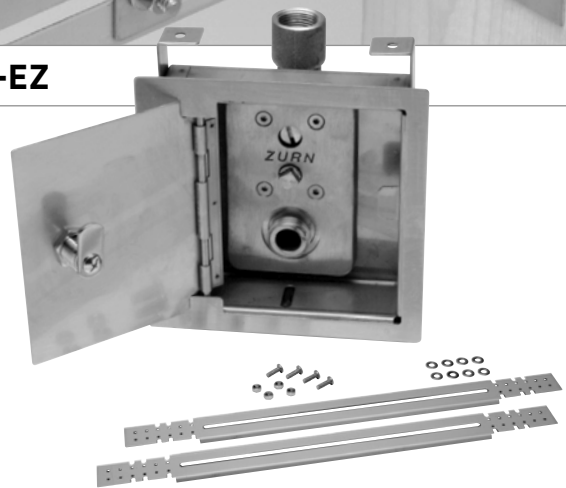
Ease of Installation Paired with Excellent Durability

Z1327-EZ and Z1350-EZ

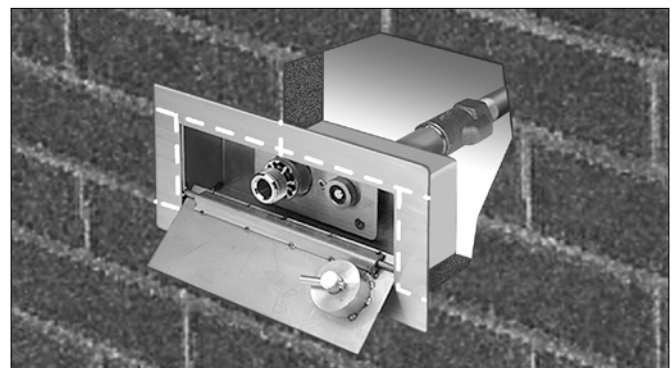
- All fabricated stainless steel constructed boxes provide a long-lasting finish
- Mounting braces provide fast, rigid installation of the hydrant box assembly
- Hydrant box and braces are designed to fit inside a standard 2" x 4" stud wall on 16" or 24" centers
- Mounting braces allow hydrant box assembly to be easily adjusted left or right to a desired location, and locked in place prior to finished wall placement
- Mounting braces eliminate the use of additional material on a job site to form and adjust the braces to fit within the wall and accommodate the hydrant

Z1320XL-EZ

- All fabricated stainless steel constructed box provides a long-lasting finish
- Hydrant box is designed to fit in one standard modular brick course
- Wide flange surface hides the wall rough-in opening after installation
- Hydrant cover opens downward with a full 180° rotation
- Optional wall clamp assembly provides rigidity and helps secure hydrant box to the wall
- Lead-free hydrant provides a safe, reliable solution that exceeds federal requirements



Z1350-EZ encased, moderate climate wall hydrant for narrow wall installation with mounting bracket hardware



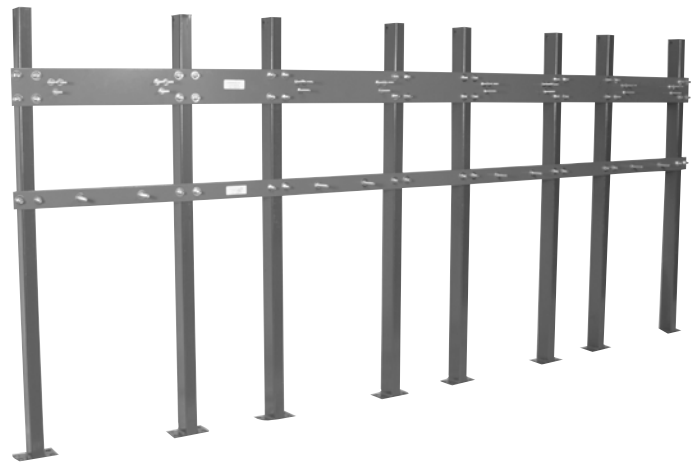
Z1320XL-EZ encased Ecolotrol™ lead-free "anti-siphon," automatic draining wall hydrant installed in one standard masonry course

See pages 267, 270, and 273 for ordering information.



Ⓢ **Z1222-CB CARRIER BANK**

Designed to Speed Up Your Installation



Multiple station plate system provides an extended length plate fabricated with exact center-to-center locations to accommodate a bank of multiple urinals. Custom-length plates are specific to job requirements and are provided with loose uprights and boxed mounting hardware and studs. Ideally suited for prefabricated applications.

The following information is necessary when specifying the carrier bank:

- Fixture manufacturer, model number, and quantity of fixtures
- Center-to-center spacing of urinals
- Handicap fixture quantity and location (if applicable)
- Wall thickness

Note: Custom carrier banks are available for all Zurn plate type systems.

CUSTOMER GUIDE INSTRUCTIONS

Each product section in this catalog is introduced by a cover page showing a representation of products. Additional information varies by product section, but generally consists of the following:

- APPLICATION INDEX** General guide to the characteristics of the products and their design.
- PRODUCT COMPLIANCE** List of standards and approvals that apply.
- PRODUCT DESCRIPTIONS** Each product page contains a product photograph, engineering dimensional drawing, engineering specification, pricing chart, available outlet types and sizes, and the appropriate prefix and suffix options.
- TECHNICAL DATA** General overview of product characteristics, assemblies, and installation data.

TYPICAL PRODUCT PAGE NAVIGATION

Product Heading

Product Photo


Dimensional Chart

**Prefix/Model # -
Material/Finish/Body Type**

**Strainer Designation -
Size/Type**

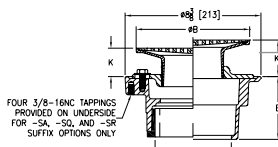
**Outlet -
Size/Type**

Z415 BODY ASSEMBLY WITH HEEL-PROOF "TYPE B" STRAINER



ENGINEERING SPECIFICATION
ZURN ZN415B floor and shower drain. Dura-Coated cast iron body with bottom outlet, combination invertible membrane clamp and adjustable collar with seepage holes, and "TYPE B" polished nickel bronze, light-duty strainer.

NOTES
For other available strainer variations see Z400 Strainer Series. Add price for required strainer to "BODY ONLY" price in chart. Specify type and size required.



FOUR 3/8"-16NC TAPPINGS PROVIDED ON UNDERSIDE FOR -SA, -SQ, AND -SR SUFFIX OPTIONS ONLY

Strainer Designation	A Pipe Size		B Str. Dia.		K		K'		Str. Open Area (Sq. In. [cm ²])	App. Wt. Lbs. [Kg]
	Min.	Max.	Min.	Max.	Min.	Max.	Min.	Max.		
-5B	2 [51], 3 [76]		5 [127]		1-1/2 [38]	1-3/32 [27]	2-1/4 [57]		6-1/4 [40]	11 [5]
-6B	2 [51], 3 [76], 4 [102]		6 [152]	1 [25]	1-25/32 [45]	1-13/32 [36]	2-17/32 [64]		9 [58]	13 [6]
-7B			7 [178]			1-23/32 [44]			12 [77]	14 [6]
-8B	3 [76], 4 [102]		8 [203]	1-5/32 [29]	2-1/8 [54]	1-3/4 [44]	2-7/8 [73]		19 [122]	16 [7]
-10B	6 [152]		10 [254]	1-7/16 [37]	2-1/2 [64]	2 [51]	3-1/4 [85]		23 [148]	22 [10]

PREFIXES	DESCRIPTION	STRAINER DESIG.	PIPE SIZE	LIST PRICE	SUFFIXES	ADD.
ZN415*	D.C.C.I. Body Assembly with Polished Nickel Bronze Top	-5B	2", 3"	363.00	-AA	All Acid Resisting Epoxy 196.00
		-6B	2", 3", 4"	444.00	-AR	Acid Resisting Epoxy Coated Cast Iron 127.00
		-7B	2", 3", 4"	511.00	-C	Clamp Collar for -90 Side Outlet 112.00
		-8B	3", 4"	640.00	-CP	Chrome-Plated Bronze Top 19.00
		-10B	6"	1,050.00	-DP	Decorative Polished Top 127.00
					-EF	3/8" Extension Frame 223.00
ZB415	D.C.C.I. Body Assembly with Polished Bronze Top	-5B	2", 3"	345.00	-G	Galvanized Cast Iron 148.00
		-6B	2", 3", 4"	401.00	-HD	Heavy-Duty Slotted Grate (ZN 5" and 6" sizes only) 154.00
		-7B	2", 3", 4"	485.00	-OF	Oval Funnel - 6" thru 10" Strainers Only (See ZB Z329-7) 273.00
		-8B	3", 4"	606.00		ZN 316.00
		-10B	6"	1,016.00		
Z415	D.C.C.I. Body Assembly ONLY (add "-L/Top" to product sku)	No Strainer	2", 3", 4"	145.00		
			6"	555.00		

OUTLETS (SPECIFY PIPE SIZE IN INCHES AND TYPE OF OUTLET)	PIPE SIZE / OUTLET TYPE	E BODY HT. INH.	ADD.
JC	Inside Caulk 2IC, 3IC, 4IC	4-13/16"	N/C
JG	Inside Gasket 2IG, 3IG, 4IG	4-13/16"	N/C
IP	Threaded 2IP	2-7/16"	59.00
	3IP	2-3/4"	59.00
	4IP	2-13/16"	59.00
	6IP	2-7/8"	59.00
NH	No-Hub 2NH, 3NH, 4NH	3-13/16"	N/C
NL	Neo-Loc 2NL, 3NL, 4NL	3-7/8"	N/C

*Regularly furnished unless otherwise specified.
 Ⓞ This symbol denotes a product that is engineered to reduce installation and rework time.

For Additional Product Information, Please Visit www.zurn.com

Engineering Line Drawing

Section Marker Tab

**Suffix -
Option List**

ABBREVIATIONS USED IN THIS CUSTOMER GUIDE

A.B.S.	Acrylonitrile Butadiene Styrene	EXT.	Extension	POL.	Polished
APP.	Approximate	GALV.	Galvanized	P.V.C.	Polyvinylchloride
APPROX.	Approximate	GSKT.	Gasket	RAD.	Radius
A.R.C.	Acid Resisting Epoxy	G.P.M.	Gallons Per Minute	SGL.	Single
A.R.E.	Acid Resisting Enamel	HT.	Height	SQ. IN.	Square Inches
AUX.	Auxiliary	IN.	Inch	S.S.	Stainless Steel
BRZ.	Bronze	LB	Pounds	STL. ST.	Stainless Steel
C.I.	Cast Iron	LG.	Long	STR.	Strainer
C.O.	Cleanout	MED.	Medium	THD.	Threaded
CONN.	Connection	N.A.	Not Applicable	V.P.	Vandal-Proof
D.C.	Dura-Coated	N.B.	Nickel Bronze	W/	With
DIA.	Diameter	N/C	No Charge	WT.	Weight
DIM.	Dimension	P.B.	Polished Bronze	XH	Extra Heavy
DT	Decorative Top	PLN.	Plain		
D.C.C.I.	Dura-Coated Cast Iron	POA	Price on Application		

NOTE: Items designated as Best Sellers are most specified and are generally in stock for shipment.

NOTES

INTRO

ROOF DRAINS

FLOOR DRAINS

T, P, BW VALVES

INTERCEPTORS

CARRIERS

HYDRANTS

CLEANOUTS

WHA

SS DRAINS

SANI-FLOOR

TECH INFO

For additional product information, please visit www.zurn.com

ROOF DRAINS

ROOF DRAIN - PRODUCT COMPLIANCE	24	Z158 10" SQUARE TOP PROM-DECK DRAIN WITH HEEL-PROOF GRATE AND ROTATABLE FRAME	44
ROOF DRAIN - GENERAL INFORMATION	24	Z160 135° SCUPPER DRAIN	45
ROOF DRAIN - APPLICATION INDEX	24	Z161 3" X 10" OBLIQUE SCUPPER DRAIN	45
Z100 Z100 FLOFORCE™ HIGH PERFORMANCE ROOF DRAIN - LOW SILHOUETTE DOME	25	⌚ Z163 15" DIAMETER COMBINATION MAIN ROOF AND OVERFLOW DRAIN WITH LOW SILHOUETTE DOMES AND DOUBLE TOP-SET® DECK PLATE	46
Z100 15" DIAMETER MAIN ROOF DRAIN WITH LOW SILHOUETTE DOME	26	⌚ Z164 12" DIAMETER COMBINATION MAIN ROOF AND OVERFLOW DRAIN WITH LOW SILHOUETTE DOMES AND DOUBLE TOP-SET® DECK PLATE	47
Z101 HIGH CAPACITY 20" DIAMETER MAIN ROOF DRAIN WITH LOW SILHOUETTE DOME	27	⌚ Z165 8-3/8" DIAMETER COMBINATION MAIN ROOF AND OVERFLOW DRAIN WITH LOW SILHOUETTE DOMES AND DOUBLE TOP-SET® DECK PLATE	48
100C 15" DIAMETER DEEP SUMP DUAL OUTLET ROOF DRAIN - LOW SILHOUETTE DOME	28	Z180 4-1/2" DIAMETER CORNICE DRAIN WITH BOTTOM OUTLET	48
Z104 15" DIAMETER DEEP SUMP ROOF DRAIN WITH LOW SILHOUETTE DOME	29	Z181 6" DIAMETER CORNICE DRAIN WITH BOTTOM OUTLET	49
Z105 CONTROL-FLO™ ROOF DRAIN WITH PARABOLIC WEIR	30	Z182 4-1/2" DIAMETER CORNICE DRAIN WITH 90° OUTLET	49
Z107 20" WIDE DECK FLANGE ROOF DRAIN	31	Z185 6" DIAMETER CORNICE DRAIN WITH 90° OUTLET	50
Z108 15" DIAMETER DECK RECEPTOR DRAIN	32	Z187 6" X 7" OR 8" X 12" OBLIQUE SCUPPER DRAIN	50
Z110 15" GREEN ROOF DRAIN WITH PERFORATED SCREEN ASSEMBLY, AND REMOVABLE COVER WITH LIFT HANDLE	33	Z189 5" X 6" X 11" SCUPPER DRAIN	51
Z110-AI GREEN ROOF DRAIN WITH PERFORATED SCREEN ASSEMBLY, REMOVABLE COVER WITH LIFT HANDLE, AND AUXILIARY INLET	34	Z190 VERTICAL EXPANSION JOINT	51
ZF110-R 15" GREEN ROOF BOX - PERFORATED SCREEN ASSEMBLY	35	Z191 5" X 4" X 24" DOWNSPOUT BOOT	52
ZF110-S GREEN ROOF BOX - PERFORATED SCREEN ASSEMBLY, REMOVABLE COVER	36	Z191-RD 4" X 18" DOWNSPOUT BOOT	52
Z111 12" DIAMETER FLAT DECK ROOF DRAIN FOR METAL DECKS	36	Z192 4" X 3" DOWNSPOUT BOOT	53
Z121 12" DIAMETER ROOF DRAIN LOW SILHOUETTE DOME	37	Z193 VANDAL-PROOF HOODED VENT CAP	53
Z122 12" DIAMETER DECK RECEPTOR DRAIN	38	Z195 VENT STACK FLASHING SLEEVE	54
Z125 8-3/8" DIAMETER ROOF DRAIN LOW SILHOUETTE DOME	39	Z196 VENT STACK FLASHING SLEEVE	54
Z127 8-1/2" DIAMETER DECK RECEPTOR DRAIN	40	Z197 RISER SLEEVE	55
⌚ Z130 14-9/32" DIAMETER SIPHONIC MAIN ROOF DRAIN	41	Z198 PARAPET SCUPPER SLEEVE	55
⌚ Z131 14-9/32" DIAMETER SIPHONIC OVERFLOW ROOF DRAIN	41	Z199 DOWNSPOUT NOZZLE	56
Z150 14" SQUARE TOP PROM-DECK DRAIN WITH HEEL-PROOF GRATE AND ROTATABLE FRAME	42	ZF199 CHAMELEON DOWNSPOUT NOZZLE WITH FLAPPER	57
Z154 12" SQUARE TOP PROM-DECK DRAIN WITH HEEL-PROOF GRATE AND ROTATABLE FRAME	43	Z199-DC DOWNSPOUT COVER	58
		ZF7000 FLOW SENSOR	58

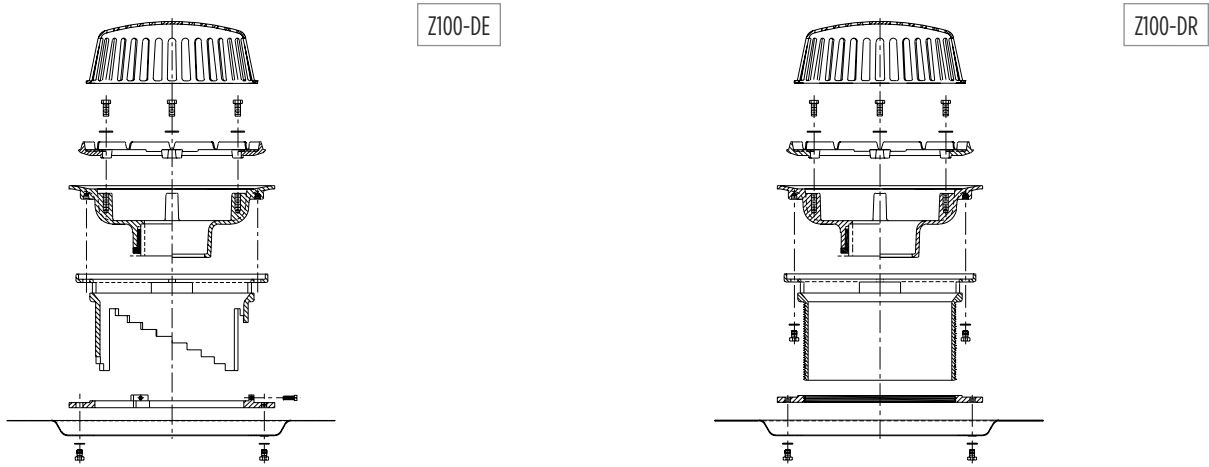
ROOF DRAIN - PRODUCT COMPLIANCE

Zurn roof drains are constructed of high quality materials and, in general, are designed to meet the requirements of ASME Standard A112.6.4 (revision and redesignation of ANSI A112.21.2M).

For verification of a selected roof drain, contact your local Zurn Sales Representative.

ROOF DRAIN - GENERAL INFORMATION

Zurn roof drains are comprised of three basic components: a body (sump), a combination membrane flashing clamp/gravel guard, and a dome strainer. Two of Zurn's roof drains are the Z100-DE and Z100-DR, shown below. These illustrate the basic components and options: the adjustable extension -DE (Deck Extension), -DR (Drain Riser), and Top-Set Roof Deck Plate (-DP).



Note: Neo-Loc outlets are not recommended for roof drain applications due to the watertight integrity of the Neo-Loc connection to the leader pipe being dependent upon adequate leader pipe support and accurate perpendicularity of leader pipe into Neo-Loc gasket.

ROOF DRAIN - APPLICATION INDEX

Roof drain selection should be made with a specific type of roof construction in mind. The many types and sizes of drains offered by Zurn, coupled with a wide array of available options, provide you with a roof drain for all applications.

APPLICATION	RECOMMENDED ROOF DRAIN
Main Roof	Z100, Z100-90, Z104, Z105, Z107, Z108
High Capacity	Z101
Water Insulated Main Roof	Z100-AW, Z100-W, Z100-89
Green Roof	Z110, Z110-AI
Medium Area	Z111, Z121, Z121-90, Z122
Inverted Membrane Roof Deck	Z100-85, Z121-85, Z125-85
Overflow	Z108, Z122, Z127, Z163, Z164, Z165
Penthouse and Small Area	Z125, Z125-90, Z127
Promenade and Patio	Z150, Z154, Z158
Parapet Scupper	Z160, Z161, Z187, Z189
Canopy and Terrace	Z180, Z181, Z182, Z185
Expansion Joints	Z190
Downspout Boot	Z191, Z191-RD, Z192
Vent Cap	Z193
Flashing Sleeves and Scupper Sleeves	Z195, Z196, Z197, Z198
Downspout Nozzle	Z199, Z199-DC

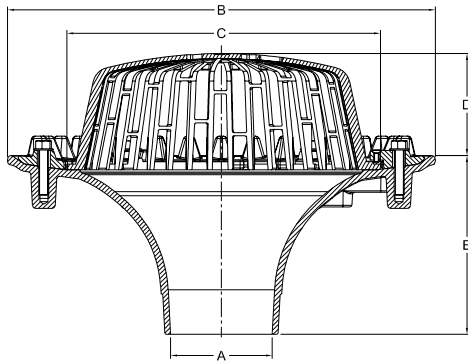
For additional product information, please visit www.zurn.com.

Z100 Z100 FLOFORCE™ HIGH PERFORMANCE ROOF DRAIN - LOW SILHOUETTE DOME

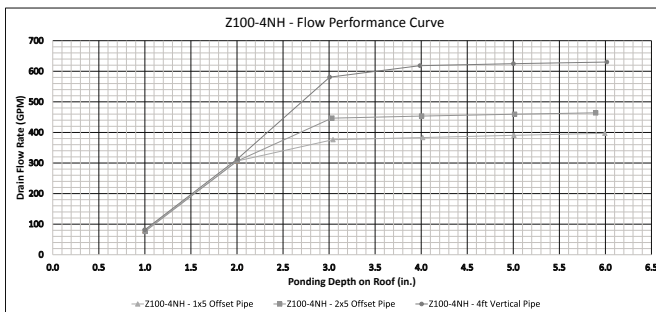


ENGINEERING SPECIFICATION

FLOFORCE™ High efficient flow performing roof drain that is engineered to evacuate water off of roof structure by incorporating a smooth funnel shaped interior surface, providing a seamless transition to outlet connection and eliminating internal obstructions. Complete with Dura-Coated cast iron body with combination membrane flashing clamp/gravel guard and low silhouette Poly-Dome. Flashing clamp/gravel guard provided to prevent debris from entering the drain while allowing water to immediately pass through at zero head level. Poly-dome designed to maximize effective open area and promote efficient flow. (Refer to www.zurn.com for flow curves)



1x5 Offset Pipe Outlet		2x5 Offset Pipe Outlet		4ft Vertical Pipe Outlet	
Roof Ponding Depth (in.)	Flow Rate (GPM)	Roof Ponding Depth (in.)	Flow Rate (GPM)	Roof Ponding Depth (in.)	Flow Rate (GPM)
1.00	79.31	1.00	76.30	1.00	81.68
2.00	306.65	2.00	306.58	2.01	314.14
3.04	376.36	3.03	446.73	3.01	580.74
4.02	383.20	4.01	453.45	3.99	618.29
5.01	390.66	5.01	459.53	5.00	624.89
5.99	397.10	5.89	464.23	6.02	630.21



A Outlet Size inches [mm]	B Body Diameter In [mm]	C Dome Diameter In [mm]	D Height, Roof to Dome Top In [mm]	Approximate Weight lb [kg]	Dome Open Area sq in [cm ²]
2 [51], 3 [76], 4 [102]	16-9/16 [412]	12-5/16 [313]	4 [102]	31 [14]	121 [780]
6 [152], 8 [203]	20-3/32 [510]	15-7/8 [403]	6 [152]	43 [19]	214 [1380]



Shown with -85 Option

ZURN Z100-4NH-85 FLOFORCE High Performance Roof Drain, as specified above, with stainless steel perforated extension (-85).



Shown with -89 Option

ZURN Z100-4NH-89 FLOFORCE High Performance Roof Drain, as specified above, with 2" high external water dam (-89).

PREFIXES	DESCRIPTION	PIPE SIZE	LIST PRICE	
Z100*	D.C.C.I. Body with Polydome	2", 3", 4"	874.00	
		6"	1,252.00	
		8"	1,628.00	
ZC100	D.C.C.I. Body with Cast Iron Dome	2", 3", 4"	1,132.00	
		6"	1,510.00	
		8"	1,887.00	
OUTLETS (SPECIFY PIPE SIZE IN INCHES AND TYPE OF OUTLET)				
OUTLET TYPE	OUTLET DESIGNATION (PIPE SIZE/OUTLET TYPE)	E BODY HT. DIM.	ADD	
IC	Inside Caulk	3IC, 4IC	5-13/16"	N/C
IC	Inside Caulk	6IC	6-1/16"	N/C
IP	Threaded	2IP, 3IP, 4IP	5-15/16", 6-3/16", 6-5/16"	102.00
IP	Threaded	6IP, 8IP	6-11/16", 6-3/4"	102.00
NH	No-Hub	2NH, 3NH, 4NH	6-15/16"	N/C
NH	No-Hub	6NH, 8NH	7-7/16"	N/C
NL	Neo-Loc (not recommended for roof drains)	2NL, 3NL, 4NL	7-3/8"	N/C
		6NL	8-1/32"	N/C
SUFFIXES	ADD			
-AR	Acid Resistant Epoxy Coated Finish		1,680.00	
-C	Underdeck Clamp		304.00	
Ⓞ -DP	Top-Set® Roof Deck Plate (Replaces both -C and -R)		542.00	
Ⓞ -DR	Top-Set Adjustable Drain Riser Extension Assembly	D.C.C.I.	1,507.00	
		Galv.	1,928.00	
-E	Static Extension 1" thru 4" (Specify Height)	D.C.C.I.	819.00	
		Galv.	1,233.00	
-EA	Adjustable Extension Assembly 2-1/8" thru 3-1/2"	D.C.C.I.	198.00	
		Galv.	302.00	
-E	For E Extensions Greater than 4" - Per Inch (Specify Height)	D.C.C.I.	198.00	
-EA	Adjustable Extension Assembly 2-1/8" thru 3-1/2"	D.C.C.I.	898.00	
-G	Galvanized Cast Iron	Z100	1,187.00	
		ZC100	1,686.00	
-R	Roof Sump Receiver		339.00	
-SC	Secondary Clamp Collar		231.00	
Ⓞ -TC	Neo-Loc Test Cap Gasket (2", 3", 4" NL Bottom Outlet Only)		32.00	
-VP	Vandal-Proof Secured Top		156.00	
-84	Stainless Steel Perforated Gravel Guard 1" thru 4"		973.00	
		For Each Additional 1" above 4" - Per Inch (Specify Height)	101.00	
-85	Stainless Steel Perforated Extension 1" thru 4"		960.00	
		For Each Additional 1" above 4" - Per Inch (Specify Height)	101.00	
-89	2" High Overflow Dam		291.00	
-89-3	3" High Overflow Dam		291.00	
-89-4	4" High Overflow Dam		291.00	

*Regularly furnished unless otherwise specified.

Items designated as Best Sellers are most specified and are generally in stock for shipment.

Ⓞ This symbol denotes a product that is engineered to reduce installation and rework time.

For additional product information, please visit www.zurn.com.

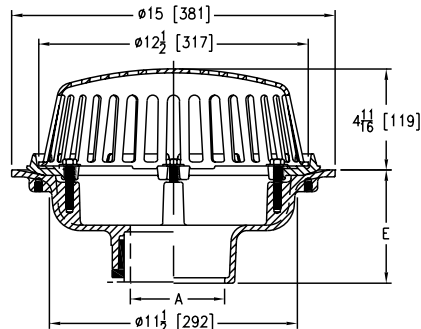
INTRO ROOF DRAINS FLOOR DRAINS T, P, BW VALVES INTERCEPTORS CARRIERS HYDRANTS CLEANOUTS WHA SS DRAINS SANI-FLOOR TECH INFO

Z100 15" DIAMETER MAIN ROOF DRAIN WITH LOW SILHOUETTE DOME



ENGINEERING SPECIFICATION

Zurn Z100 15" diameter roof drain features Dura-Coated cast iron body with combination membrane flashing clamp/gravel guard and low silhouette polydome.



A Pipe Size inches [mm]	Dome Open Area sq in [cm ²]	Approximate Weight lb [kg]
2 [51], 3 [76], 4 [102]	103 [665]	26 [12]
6 [152]		27 [12]
8 [203]		28 [13]

PREFIXES	DESCRIPTION	PIPE SIZE	LIST PRICE
Z100*	D.C.C.I. Body with Polydome	2", 3", 4"	874.00
		6"	1,252.00
		8"	1,628.00
ZA100	D.C.C.I. Body with Aluminum Dome	2", 3", 4"	1,181.00
		6"	1,559.00
		8"	1,934.00
ZC100	D.C.C.I. Body with Cast Iron Dome	2", 3", 4"	1,132.00
		6"	1,510.00
		8"	1,887.00
ZRB100	D.C.C.I. Body with Plain Bronze Dome	2", 3", 4"	1,890.00
		6"	2,268.00
		8"	2,643.00

OUTLETS (SPECIFY PIPE SIZE IN INCHES AND TYPE OF OUTLET)			
OUTLET TYPE	OUTLET DESIGNATION (PIPE SIZE/OUTLET TYPE)	E BODY HT. DIM.	ADD
IC	Inside Caulk	3IC, 4IC, 6IC	5-1/4" N/C
IP	Threaded	2IP, 3IP, 4IP, 6IP, 8IP	3-3/4" 102.00
NH	No-Hub	2NH, 3NH, 4NH, 6NH, 8NH	5-1/4" N/C
NL	Neo-Loc (not recommended for roof drains)	2NL, 3NL, 4NL	4-9/16" N/C
		6NL	5-7/16" N/C

BEST SELLERS	LIST PRICE
Z100-3NH	874.00
Z100-3NH-DP	1,416.00
ZC100-3NH-DP	1,674.00
ZC100-3NH-89-DP	1,965.00
Z100-4NH	874.00
Z100-4NH-DP	1,416.00
Z100-4NH-89-DP	1,707.00
ZA100-4NH-DP	1,723.00
ZA100-4NH-DP-EA	2,621.00
ZC100-4NH	1,132.00
ZC100-4NH-DP	1,674.00
ZC100-4NH-89	1,423.00
ZC100-4NH-89-DP	1,965.00
ZC100-4NH-DP-EA	2,572.00
Z100-6NH	1,252.00
Z100-6NH-DP	1,794.00
ZC100-6NH	1,510.00
ZC100-6NH-DP	2,052.00
ZC100-6NH-89-DP	2,343.00
ZC100-6NH-DP-EA	2,950.00

SUFFIXES	ADD
-AC	Angular Underdeck Clamp 607.00
-AR	Acid Resistant Epoxy Coated Finish 1,680.00
-AW	3/4" to 4" Adjustable Water Level Regulator (ZC Only) 1,096.00
	For Each Additional 1" above 4" (Specify Height) 304.00
-C	Underdeck Clamp 304.00
⊕ -DE	Deck Extension (Includes Deck Plate -DP) D.C.C.I. 1,199.00
	Galv. 1,811.00
⊕ -DP	Top-Set® Roof Deck Plate (Replaces both -C and -R) 542.00
⊕ -DR	Top-Set Adjustable Drain Riser Extension D.C.C.I. 1,507.00
	Galv. 1,928.00
-E	Static Extension 1" thru 4" (Specify Height) D.C.C.I. 819.00
	Galv. 1,233.00
	For E Extensions Greater than 4" - Per Inch (Specify Height) D.C.C.I. 198.00
	Galv. 302.00
-EA	Adjustable Extension Assembly 2-1/8" thru 3-1/2" D.C.C.I. 898.00
	Galv. 1,330.00
⊕ -EB	Top-Set Adjustable Extension Assembly 819.00
-FG	Flush Grate (Replaces Dome Strainer) 853.00
-G	Galvanized Cast Iron Z100 1,187.00
	ZC100 1,686.00
-HD	6-3/4" High Aluminum Dome Strainer - 148 sq. in. open area (ZA Only) 308.00
-R	Roof Sump Receiver 339.00
-SC	Secondary Clamp Collar 231.00
-SS	Stainless Steel Mesh Screen Over Dome 624.00
-ST	Dome with Solid Top (ZA and ZC Only) 624.00
⊕ -TC	Neo-Loc Test Cap Gasket (2", 3", 4" NL Bottom Outlet Only) 32.00
-VP	Vandal-Proof Secured Top 156.00
-W2	2" Internal Water Dam 521.00
-W3	3" Internal Water Dam 521.00
-W4	4" Internal Water Dam 521.00
-84	Stainless Steel Perforated Gravel Guard 1" thru 4" 973.00
	For Each Additional 1" above 4" - Per Inch (Specify Height) 101.00
-85	Stainless Steel Perforated Extension 1" thru 4" 960.00
	For Each Additional 1" above 4" - Per Inch (Specify Height) 101.00
-89	2" High External Water Dam 291.00
-90	90° Threaded Side Outlet Body (2", 3", 4", 6") 458.00

For additional product information, please visit www.zurn.com.

*Regularly furnished unless otherwise specified.

Items designated as Best Sellers are most specified and are generally in stock for shipment.

⊕ This symbol denotes a product that is engineered to reduce installation and rework time.

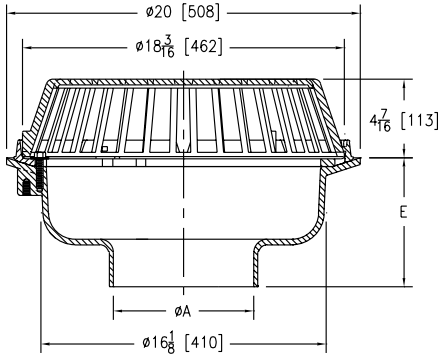
Z101 HIGH CAPACITY 20" DIAMETER MAIN ROOF DRAIN WITH LOW SILHOUETTE DOME



ENGINEERING SPECIFICATION

Zurn Z101 20" diameter roof drain features Dura-Coated cast iron body with combination membrane flashing clamp/gravel guard and low silhouette cast iron dome.

A Pipe Size inches [mm]	Dome Open Area sq in [cm ²]	Approximate Weight lb [kg]
8 [203]	216 [1394]	77 [35]
10 [254]		78 [35]
12 [305]		79 [36]



PREFIXES	DESCRIPTION	PIPE SIZE	LIST PRICE
Z101*	D.C.C.I. Body with Cast Iron Dome	8"	2,328.00
		10"	2,569.00
		12"	2,753.00

OUTLETS (SPECIFY PIPE SIZE IN INCHES AND TYPE OF OUTLET)

OUTLET TYPE	OUTLET DESIGNATION (PIPE SIZE/OUTLET TYPE)	E BODY HT. DIM.	ADD
NH	No-Hub	8NH, 10NH, 12NH	7-5/16" N/C

SUFFIXES

SUFFIXES	DESCRIPTION	LIST PRICE
-AR	Acid Resistant Epoxy Coated Finish	2,316.00
-C	Under Deck Clamp	209.00
Ⓢ -DP	Top Set® Roof Deck Plate (Replaces both -C and -R)	952.00
-E	Static Extension 1" thru 4" (Specify Height)	D.C.C.I. 1,228.00
		Galv. 1,854.00
	For E Extensions Greater than 4" - Per Inch (Specify Height)	D.C.C.I. 263.00
		Galv. 403.00
Ⓢ -EB	Top-Set Adjustable Extension Assembly	1,115.00
-G	Galvanized Cast Iron	1,763.00
-R	Roof Sump Receiver	339.00
-W2	2" Internal Water Dam	1,326.00
-W3	3" Internal Water Dam	1,326.00
-W4	4" Internal Water Dam	1,326.00
-89	2" High External Water Dam	843.00

BEST SELLERS

ITEM	LIST PRICE
Z101-8NH	2,328.00
Z101-8NH-89	3,171.00
Z101-10NH	2,569.00
Z101-10NH-DP	3,521.00
Z101-10NH-89-DP	4,364.00
Z101-12NH	2,753.00
Z101-12NH-W2	4,079.00

*Regularly furnished unless otherwise specified.

Items designated as Best Sellers are most specified and are generally in stock for shipment.

Ⓢ This symbol denotes a product that is engineered to reduce installation and rework time.

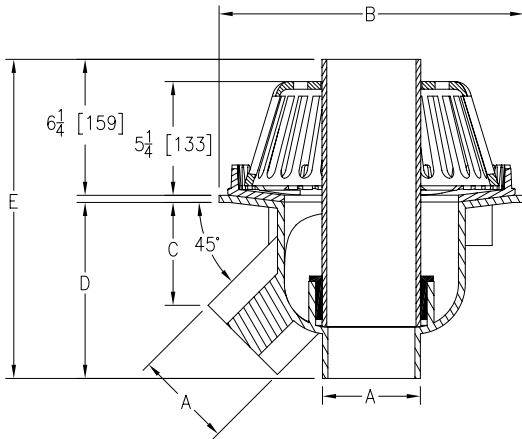
For additional product information, please visit www.zurn.com.

100C 15" DIAMETER DEEP SUMP DUAL OUTLET ROOF DRAIN - LOW SILHOUETTE DOME



ENGINEERING SPECIFICATION

Bi-functional Froet Drain with 45° primary outlet connection. Powder coated cast iron deep sump body with combination membrane flashing clamp/gravel guard, overflow pipe (2", 3", 4", 5", 6", 8" [51mm, 76mm, 102mm, 127mm, 152mm, 203mm]) with standard 5-1/4" [133mm] high cast iron dome and 6-1/4" [159mm] high cast iron overflow.



PREFIXES	DESCRIPTION	PIPE SIZE	LIST PRICE
100C*	Froet 100C Bi- Functional Deep Sump Dual Outlet Roof Drain	2"	1,089.00
		3"	1,820.00
		4"	1,885.00
		5"	3,142.00
		6"	3,178.00
		8"	8,306.00

SUFFIXES	ADD	PIPE SIZE	LIST PRICE
-C	Underdeck Clamp		452.00
-CFW	Control Flow Weir		849.00
-DP	Deck Mounting Plate (2-1/4" Elevation)		981.00
-DU	Cast Iron Dome on Overflow Pipe	2"	674.00
		3"	674.00
		4"	674.00
		5"	751.00
		6"	751.00
		8"	N/C

-E	Static Extensions (2", 4", 6")	2"	906.00
		4"	1,116.00
		6"	1,423.00

-ER1.5	Elevation Ring (1.5" of Insulation)		235.00
-ER2	Elevation Ring (2" of Insulation)		237.00
-LP	Low Profile Dome		N/C
-R	Roof Sump Receiver		649.00
-ULP	Ultra Low Profile Dome		N/C
-VEP	Vent Pipe		656.00
-84	Stainless Steel Perforated Gravel Guard		1,590.00

BEST SELLERS	LIST PRICE
100C4	1,885.00
100C4LP	1,885.00
100C6LP	3,178.00

Dimensions in inches [mm]					Approximate Weight lb [kg]	Dome Open Area sq in [cm ²]
A Pipe Size	B	C	D	E		
2 [51]	10-1/4 [260]	2-13/16 [71]	5 [127]	11-5/8 [295]	21 [6]	48 [310]
3 [76]	14 [356]	4-7/8 [124]	6-7/8 [175]	13-1/2 [343]	47 [21]	90 [581]
4 [102]	14 [356]	4-7/8 [124]	8 [203]	14-5/8 [371]	53 [24]	90 [581]
5 [127]	18 [457]	5-1/2 [140]	10-1/4 [260]	16-7/8 [429]	83 [38]	127 [819]
6 [152]	18 [457]	5-1/2 [140]	11-1/4 [286]	17-7/8 [454]	89 [40]	127 [819]
8 [203]	25 [635]	8-1/4 [210]	13-3/4 [349]	20-3/8 [518]	122 [55]	203 [1310]

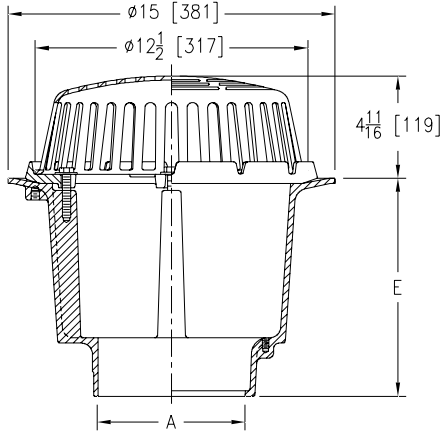
Z104 15" DIAMETER DEEP SUMP ROOF DRAIN WITH LOW SILHOUETTE DOME



ENGINEERING SPECIFICATION

Zurn Z104 15" diameter roof drain features Dura-Coated cast iron deep sump body with combination membrane flashing clamp/gravel guard and low silhouette polydome.

A Pipe Size inches [mm]	Dome Open Area sq in [cm ²]	Approximate Weight lb [kg]
3 [76], 4 [102]	103 [665]	46 [21]
6 [152], 8 [203]		



PREFIXES	DESCRIPTION	PIPE SIZE	LIST PRICE
Z104*	D.C.C.I. Body with Polydome	3", 4"	2,926.00
		6", 8"	3,356.00
ZA104	D.C.C.I. Body with Aluminum Dome	3", 4"	3,267.00
		6", 8"	3,710.00
ZC104	D.C.C.I. Body with Cast Iron Dome	3", 4"	3,210.00
		6", 8"	3,656.00

OUTLETS (SPECIFY PIPE SIZE IN INCHES AND TYPE OF OUTLET)				
OUTLET TYPE		OUTLET DESIGNATION (PIPE SIZE/OUTLET TYPE)	E BODY HT. DIM.	ADD
NH	No-Hub	3NH, 4NH, 6NH, 8NH	10"	N/C
NL	Neo-Loc (not recommended for roof drains)	3NL, 4NL	9-5/16"	N/C

SUFFIXES			ADD
-AC	Angular Underdeck Clamp		607.00
-AR	Acid Resistant Epoxy Coated Finish		1,680.00
-AW	Adjustable Water Level Regulator 3/4" thru 4" (ZC Only)		1,096.00
		For Each Additional 1" above 4" - Per Inch (Specify Height)	302.00
-C	Underdeck Clamp		304.00
-DX	Dex-O-Tex Flange		1,629.00
-E	Static Extension 1" thru 4" (Specify Height)	D.C.C.I.	819.00
		Galv.	1,233.00
		For E Extensions Greater than 4" - Per Inch (Specify Height)	D.C.C.I.
		Galv.	302.00
-EA	Adjustable Extension Assembly 2-1/8" thru 3-1/2"	D.C.C.I.	874.00
		Galv.	1,296.00
-FG	Flush Grate (Replaces Dome Strainer)		853.00
-G	Galvanized Cast Iron	Z	1,676.00
		ZC	2,175.00
-HD	6-3/4" High Aluminum Dome Strainer, 148 sq. in. open area (ZA Only)		308.00
-R	Roof Sump Receiver		339.00
-SC	Secondary Clamping Collar		231.00
-SS	Stainless Steel Mesh Screen Over Dome		624.00
-VP	Vandal-Proof Secured Top		156.00
-W2	2" Internal Water Dam		521.00
-W3	3" Internal Water Dam		521.00
-W4	4" Internal Water Dam		521.00
-84	Stainless Steel Perforated Gravel Guard 1" thru 4"		973.00
		For Each Additional 1" above 4" - Per Inch (Specify Height)	101.00
-85	Stainless Steel Perforated Extension 1" thru 4"		973.00
		For Each Additional 1" above 4" - Per Inch (Specify Height)	101.00
-89	2" High External Water Dam		291.00

*Regularly furnished unless otherwise specified.

Items designated as Best Sellers are most specified and are generally in stock for shipment.

⌚ This symbol denotes a product that is engineered to reduce installation and rework time.

For additional product information, please visit www.zurn.com.

INTRO
 ROOF DRAINS
 FLOOR DRAINS
 T, P, BW VALVES
 INTERCEPTORS
 CARRIERS
 HYDRANTS
 CLEANOUTS
 WHA
 SS DRAINS
 SANI-FLOOR
 TECH INFO

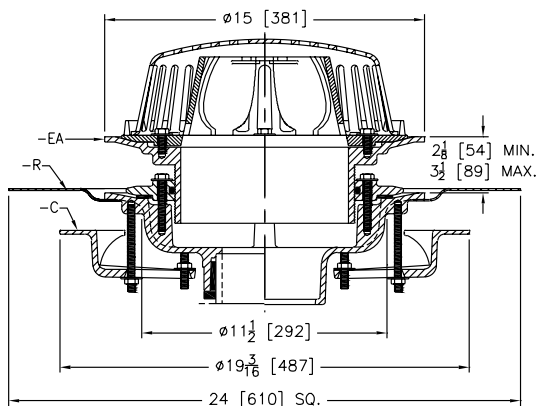
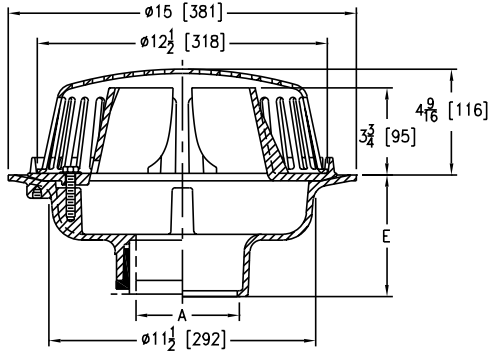
Z105 CONTROL-FLO™ ROOF DRAIN WITH PARABOLIC WEIR



ENGINEERING SPECIFICATION

Zurn Z105 15" diameter Control-Flo roof drain for dead-level roof construction features Dura-Coated cast iron body. Control-Flo weir shall be linear functioning with integral membrane flashing clamp/gravel guard and polydome. All data shall be verified proportional to flow rates. Each notch will allow 10 GPM flow per inch of rain water buildup above the drain.

A Pipe Size inches [mm]	Dome Open Area sq in [cm ²]	Approximate Weight lb [kg]
2 [51], 3 [76], 4 [102]	103 [665]	34 [15]



Shown with -C-EA-R Options

ZURN Z105-C-EA-R Control-Flo Roof Drain for dead-level roof construction. Drain is as specified above, with Dura-Coated steel roof sump receiver (-R), Dura-Coated cast iron underdeck clamp (-C), and Dura-Coated cast iron adjustable extension and clamp ring with neoprene O-Ring seal (-EA).

PREFIXES	DESCRIPTION	PIPE SIZE	LIST PRICE
Z105*	D.C.C.I. Body with Polydome	2", 3", 4"	2,529.00
ZA105	D.C.C.I. Body with Aluminum Dome	2", 3", 4"	2,849.00
ZC105	D.C.C.I. Body with Cast Iron Dome	2", 3", 4"	2,810.00

OUTLETS (SPECIFY PIPE SIZE IN INCHES AND TYPE OF OUTLET)			
OUTLET TYPE	OUTLET DESIGNATION (PIPE SIZE/OUTLET TYPE)	E BODY HT. DIM.	ADD
IC	Inside Caulk	3IC, 4IC	5-1/4" N/C
NH	No-Hub	2NH, 3NH, 4NH	5-1/4" N/C
NL	Neo-Loc (not recommended for roof drains)	2NL, 3NL, 4NL	4-9/16" N/C

SUFFIXES		ADD
-C	Underdeck Clamp	304.00
Ⓢ -DP	Top-Set® Roof Deck Plate (Replaces both -C and -R)	542.00
-E	Static Extension 1" thru 4" (Specify Height)	D.C.C.I. 819.00 Galv. 1,233.00
	For E Extensions Greater than 4" - Per Inch (Specify Height)	D.C.C.I. 198.00 Galv. 302.00
-EA	Adjustable Extension Assembly 2-1/8" thru 3-1/2"	D.C.C.I. 923.00 Galv. 1,330.00
-G	Galvanized Cast Iron	1,103.00
-R	Roof Sump Receiver	339.00
Ⓢ -TC	Neo-Loc Test Cap Gasket (2" thru 4" NL Bottom Outlet Only)	32.00
-VP	Vandal-Proof Secured Top	156.00
-10	6" High Parabolic Weir for Sloped Roof (ZC or ZA)	N/C

BEST SELLERS		LIST PRICE
Z105-3NH		2,529.00
ZC105-3NH		2,810.00
ZC105-4NH-DP		3,352.00

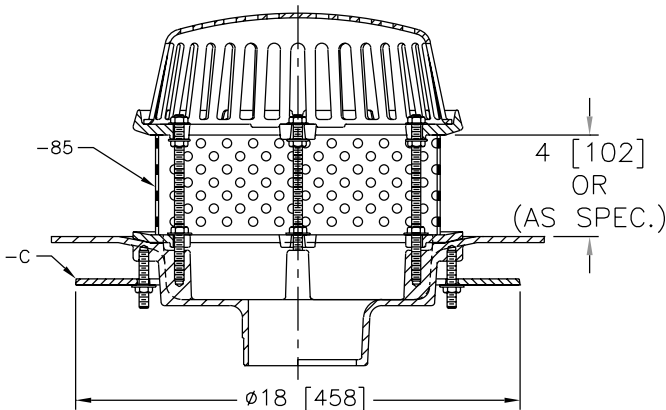
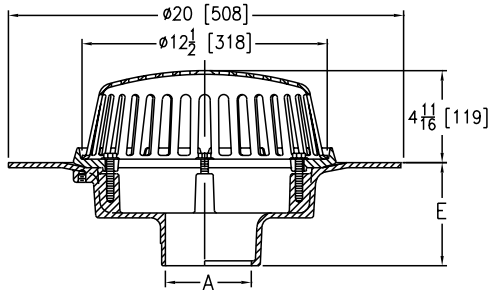
Z107 20" WIDE DECK FLANGE ROOF DRAIN



ENGINEERING SPECIFICATION

Zurn Z107 20" diameter wide deck flange roof drain features Dura-Coated cast iron body with combination membrane flashing clamp/gravel guard and low silhouette polydome.

A Pipe Size inches [mm]	Dome Open Area sq in [cm ²]	Approximate Weight lb [kg]
3 [76], 4 [102]	103 [665]	39 [18]
6 [152], 8 [203]		



Shown with -C-85 Options

ZURN Z107-C-85 20" diameter Wide Deck Flange Roof Drain, as specified above, with perforated extension with flat clamp collar (-85), and Dura-Coated cast iron underdeck clamp (-C).

*Regularly furnished unless otherwise specified.

Items designated as Best Sellers are most specified and are generally in stock for shipment.

⌚ This symbol denotes a product that is engineered to reduce installation and rework time.

PREFIXES	DESCRIPTION	PIPE SIZE	LIST PRICE
Z107*	D.C.C.I. Body with Polydome	3", 4"	2,653.00
		6", 8"	3,045.00
ZA107	D.C.C.I. Body with Aluminum Dome	3", 4"	2,969.00
		6", 8"	3,365.00
ZC107	D.C.C.I. Body with Cast Iron Dome	3", 4"	2,913.00
		6", 8"	3,314.00

OUTLETS (SPECIFY PIPE SIZE IN INCHES AND TYPE OF OUTLET)			
OUTLET TYPE	OUTLET DESIGNATION (PIPE SIZE/OUTLET TYPE)	E BODY HT. DIM.	ADD
IC	Inside Caulk	3IC, 4IC, 6IC	5-1/4" N/C
IP	Threaded	3IP, 4IP	5-1/4" 102.00
NH	No-Hub	3NH, 4NH, 6NH, 8NH	5-1/4" N/C

SUFFIXES			ADD
-AC	Angular Underdeck Clamp		607.00
-AR	Acid Resistant Epoxy Coated Finish		1,680.00
-AW	Adjustable Water Level Regulator 3/4" thru 4" (ZC Only) For Each Additional 1" above 4" - Per Inch (Specify Height)		1,096.00
			302.00
-C	Underdeck Clamp		304.00
-E	Static Extension 1" thru 4" (Specify Height)	D.C.C.I.	819.00
		Galv.	1,233.00
		D.C.C.I.	198.00
	For E Extensions Greater than 4" - Per Inch (Specify Height)	Galv.	302.00
-EA	Adjustable Extension Assembly 2-1/8" thru 3-1/2"	D.C.C.I.	874.00
		Galv.	1,296.00
-FG	Flush Grate (Replaces Dome Strainer)		853.00
-G	Galvanized Cast Iron		1,187.00
-SS	Stainless Steel Mesh Screen Over Dome		624.00
-VP	Vandal-Proof Secured Top		156.00
-W2	2" Internal Water Dam		521.00
-W3	3" Internal Water Dam		521.00
-W4	4" Internal Water Dam		521.00
-84	Stainless Steel Perforated Gravel Guard 1" thru 4" For Each Additional 1" above 4" - Per Inch (Specify Height)		973.00
			101.00
-85	Stainless Steel Perforated Extension 1" thru 4" For Each Additional 1" above 4" - Per Inch (Specify Height)		973.00
			101.00
-89	2" High External Water Dam		291.00

BEST SELLERS		LIST PRICE
Z107-3NH		2,653.00
Z107-3NH-FG		3,506.00

For additional product information, please visit www.zurn.com.

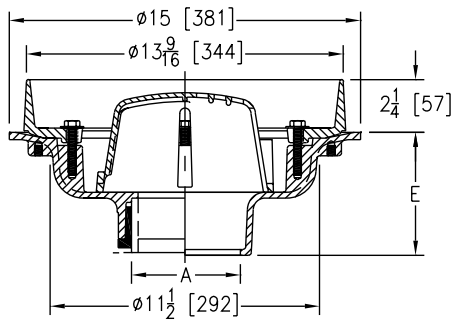
Z108 15" DIAMETER DECK RECEPTOR DRAIN



ENGINEERING SPECIFICATION

Zurn Z108 15" diameter roof drain features Dura-Coated cast iron body with combination membrane flashing clamp, deck receptor frame, and internal bottom dome strainer.

A Pipe Size inches [mm]	Dome Open Area sq in [cm ²]	Approximate Weight lb [kg]
2 [51], 3 [76], 4 [102]	53 [342]	41 [19]
6 [152]		39 [18]
8 [203]		42 [19]



PREFIXES	DESCRIPTION	PIPE SIZE	LIST PRICE
Z108*	D.C.C.I. Body with Collar	2", 3", 4"	1,162.00
		6"	1,556.00
		8"	1,911.00

OUTLETS (SPECIFY PIPE SIZE IN INCHES AND TYPE OF OUTLET)				
OUTLET TYPE	OUTLET DESIGNATION (PIPE SIZE/OUTLET TYPE)	E BODY HT. DIM.	ADD	
IC	Inside Caulk	3IC, 4IC, 6IC	5-1/4"	N/C
IP	Threaded	2IP, 3IP, 4IP, 6IP, 8IP	3-3/4"	102.00
NH	No-Hub	2NH, 3NH, 4NH, 6NH, 8NH	5-1/4"	N/C
NL	Neo-Loc (not recommended for roof drains)	2NL, 3NL, 4NL	4-9/16"	N/C

SUFFIXES		ADD
-AR	Acid Resistant Epoxy Coated Finish	1,680.00
-C	Underdeck Clamp	304.00
Ⓢ -DE	Deck Extension	D.C.C.I. 873.00 Galv. 1,295.00
Ⓢ -DP	Top-Set® Roof Deck Plate (Replaces Both -C and -R)	542.00
-E	Static Extension 1" thru 4" (Specify Height)	D.C.C.I. 819.00
		Galv. 1,233.00
For E Extensions Greater than 4" - Per Inch (Specify Height)		D.C.C.I. 198.00 Galv. 302.00
-EA	Adjustable Extension Assembly 2-1/8" thru 3-1/2"	D.C.C.I. 923.00 Galv. 1,318.00
-FG	Flush Grate (Replaces Dome Strainer)	1,021.00
-G	Galvanized Cast Iron	1,103.00
-HD	6-3/4" High Aluminum Dome Strainer (61 Sq. In. Open Area)	N/C
-R	Roof Sump Receiver	339.00
Ⓢ -TC	Neo-Loc Test Cap Gasket (2", 3", 4" NL Bottom Outlet Only)	32.00

BEST SELLER	LIST PRICE
Z108-3NH	1,162.00

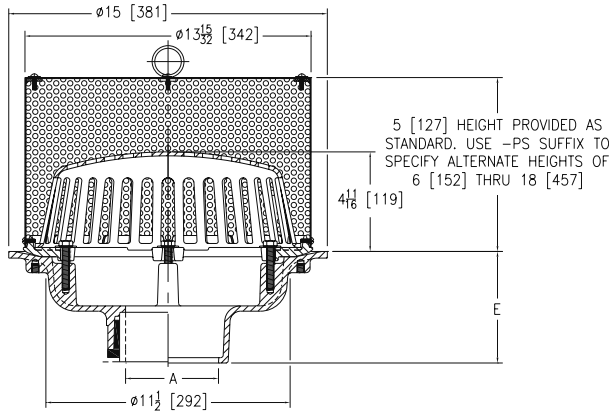
Z110 15" GREEN ROOF DRAIN WITH PERFORATED SCREEN ASSEMBLY, AND REMOVABLE COVER WITH LIFT HANDLE



ENGINEERING SPECIFICATION

Zurn Z110 15" green roof drain features Dura-Coated cast iron body with combination membrane flashing clamp/gravel guard and low silhouette polydome. Complete with secured Type 304 (CF8) stainless steel, perforated screen assembly with secured, removable access cover with lift handle.

A Pipe Size inches [mm]	Dome Open Area sq in [cm ²]	Approximate Weight lb [kg]
2 [51], 3 [76], 4 [102]	103 [665]	30 [14]
6 [152]		32 [15]
8 [203]		33 [15]



PREFIXES	DESCRIPTION	PIPE SIZE	LIST PRICE
Z110*	D.C.C.I. Body with Polydome	2", 3", 4", 6", 8"	POA
ZA110	D.C.C.I. Body with Aluminum Dome	2", 3", 4", 6", 8"	POA
ZC110	D.C.C.I. Body with Cast Iron Dome	2", 3", 4", 6", 8"	POA

OUTLETS (SPECIFY PIPE SIZE IN INCHES AND TYPE OF OUTLET)				
OUTLET TYPE		OUTLET DESIGNATION (PIPE SIZE/OUTLET TYPE)	E BODY HT. DIM.	ADD
IC	Inside Caulk	3IC, 4IC, 6IC	5-1/4"	N/C
IP	Threaded	3IP, 4IP, 6IP, 8IP	3-3/4"	102.00
NH	No-Hub	2NH, 3NH, 4NH, 6NH, 8NH	5-1/4"	N/C
NL	Neo-Loc (not recommended for roof drains)	2NL, 3NL, 4NL	4-9/16"	N/C
		6NL	5-7/16"	N/C

SUFFIXES			ADD
-AC	Angular Underdeck Clamp		607.00
-AR	Acid Resistant Epoxy Coated Finish		1,680.00
-C	Underdeck Clamp		304.00
Ⓢ -DE	Deck Extension (Includes Deck Plate -DP)	D.C.C.I.	1,199.00
		Galv.	1,811.00
Ⓢ -DP	Top-Set® Roof Deck Plate (Replaces Both the -C and -R)		542.00
-E	Static Extension 1" thru 4" (Specify Height)	D.C.C.I.	819.00
		Galv.	1,233.00
	For E Extensions Greater than 4" - Per Inch (Specify Height)	D.C.C.I.	198.00
		Galv.	302.00
-EA	Adjustable Extension Assembly 2-1/8" thru 3-1/2"	D.C.C.I.	898.00
		Galv.	1,330.00
Ⓢ -EB	Top-Set Adjustable Extension Assembly		819.00
-G	Galvanized Cast Iron	Z110	1,187.00
		ZC110	1,686.00
-PS	Perforated Screen 6" thru 18" (Specify Height)		POA
-R	Roof Sump Receiver		339.00
-ST	Dome with Solid Top (ZA and ZC Only)		646.00
Ⓢ -TC	Neo-Loc Test Cap Gasket (2", 3", 4" NL Bottom Outlet Only)		32.00
-VP	Vandal-Proof Secured Screen Cover		156.00
-W2	2" Internal Water Dam		521.00
-W3	3" Internal Water Dam		521.00
-W4	4" Internal Water Dam		521.00
-85	Stainless Steel Perforated Extension 1" thru 4" For Each Additional 1" above 4" - Per Inch (Specify Height)		960.00
			101.00

BEST SELLERS	LIST PRICE
Z110-2NH-PS=5	POA
Z110-3NH-PS=5	POA
Z110-3NL-PS=5	POA
Z110-4NH-PS=5	POA
Z110-4NL-PS=5	POA
Z110-6NH-PS=5	POA
Z110-6NH-PS=5	POA
Z110-6NL-PS=5	POA

*Regularly furnished unless otherwise specified.

Items designated as Best Sellers are most specified and are generally in stock for shipment.

Ⓢ This symbol denotes a product that is engineered to reduce installation and rework time.

For additional product information, please visit www.zurn.com.

INTRO ROOF DRAINS FLOOR DRAINS T, P, BW VALVES INTERCEPTORS CARRIERS HYDRANTS CLEANOUTS WHA SS DRAINS SANI-FLOOR TECH INFO

Z110-AI GREEN ROOF DRAIN WITH PERFORATED SCREEN ASSEMBLY, REMOVABLE COVER WITH LIFT HANDLE, AND AUXILIARY INLET



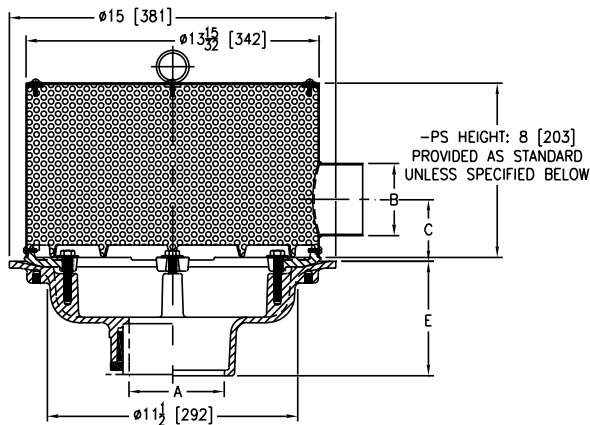
ENGINEERING SPECIFICATION

Zurn Z110-AI green roof drain features Dura-Coated cast iron body with combination membrane flashing and clamp/gravel guard. Complete with secured Type 304 (CF8) stainless steel, perforated screen assembly with secured, removable access cover with lift handle and auxiliary no-hub inlet connection.

NOTES

Auxiliary inlet sizes are only available as configured below. Auxiliary inlet size 'B' cannot exceed pipe size 'A'.

Dimensions in inches [mm]			Approximate Weight lb [kg]
A	B	C	
2 [51]	2 [51]	2-11/32 [60]	32 [15]
3 [76]	2 [51]	2-11/32 [60]	33 [15]
	3 [76]	2-27/32 [72]	
4 [102], 6 [152], 8 [203]	2 [51]	2-11/32 [60]	34 [15]
	3 [76]	2-27/32 [72]	
	4 [102]	3-3/8 [86]	



PREFIXES	DESCRIPTION	A PIPE SIZE	B AUX. INLET	LIST PRICE
Z110	D.C.C.I. with Type 304 Perforated Stainless Steel Screen Assembly	2"	2"	Combine with Product Designation for Pricing
		3"	2", 3"	
		4", 6", 8"	2", 3", 4"	
PRODUCT DESIGNATION		B AUX. INLET	C DIM.	LIST PRICE
-2AI	2" Auxiliary Inlet	2"	2-11/32"	POA
-3AI	3" Auxiliary Inlet	3"	2-27/32"	POA
-4AI	4" Auxiliary Inlet	4"	3-3/8"	POA
OUTLETS (SPECIFY PIPE SIZE IN INCHES AND TYPE OF OUTLET)				
OUTLET TYPE	OUTLET DESIGNATION (PIPE SIZE/OUTLET TYPE)	E BODY HT. DIM.	ADD	
IC	Inside Caulk	3IC, 4IC, 6IC	5-1/4"	N/C
IP	Threaded	2IP, 3IP, 4IP, 6IP, 8IP	3-3/4"	102.00
NH	No-Hub	2NH, 3NH, 4NH, 6NH, 8NH	5-1/4"	N/C
NL	Neo-Loc (not recommended for roof drains)	2NL, 3NL, 4NL	4-9/16"	N/C
		6NL	5-7/16"	N/C
SUFFIXES				ADD
-AC	Angular Underdeck Clamp			607.00
-AR	Acid Resistant Epoxy Coated Finish			1,680.00
-C	Underdeck Clamp			304.00
Ⓢ -DE	Deck Extension (Includes Deck Plate -DP)	D.C.C.I.		1,199.00
		Galv.		1,811.00
Ⓢ -DP	Top-Set® Roof Deck Plate (Replaces both the -C and -R)			542.00
Ⓢ -DR	Top-Set Drain Riser	D.C.C.I.		1,507.00
		Galv.		1,928.00
-E	Static Extension 1" thru 4" (Specify Height)	D.C.C.I.		819.00
		Galv.		1,233.00
	For E Extensions Greater than 4" - Per Inch (Specify Height)	D.C.C.I.		198.00
		Galv.		302.00
-EA	Adjustable Extension Assembly 2-1/8" thru 3-1/2"	D.C.C.I.		898.00
		Galv.		1,330.00
Ⓢ -EB	Top-Set Adjustable Extension Assembly			819.00
-G	Galvanized Cast Iron			1,187.00
-PS	Perforated Screen 9" thru 18" (Specify Height)			POA
-R	Roof Sump Receiver			339.00
Ⓢ -TC	Neo-Loc Test Cap Gasket (2", 3", 4" NL Bottom Outlet Only)			32.00
-VP	Vandal-Proof Secured Screen Cover			156.00

ZF110-R 15" GREEN ROOF BOX - PERFORATED SCREEN ASSEMBLY



ENGINEERING SPECIFICATION

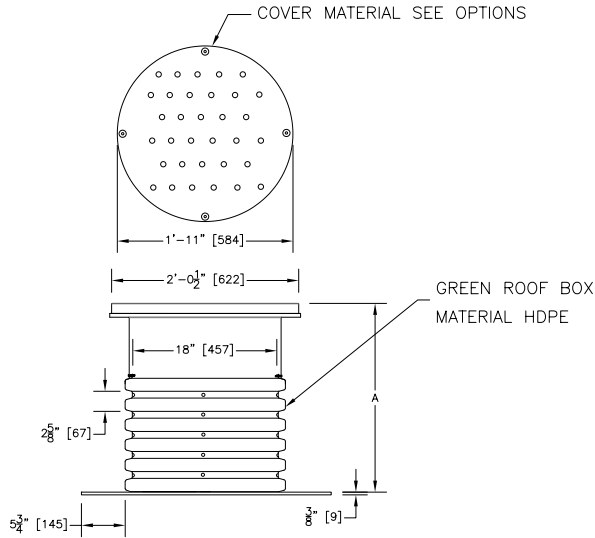
Zurn green roof drain box. HDPE Adjustable deep sump box for green roof applications. Box can be field cut for additional installation heights.

NOTE

The HDPE Adjustable Green Roof Box will accommodate all Zurn 100C Froet Drains except for the 100C8.

PREFIXES	DESCRIPTION	SIZE	A' BODY HT. DIM.	LIST PRICE
ZF110-R	HDPE Adjustable Round Green Roof Box*	R4	48"	4,158.00
SUFFIXES				ADD
-DW	Double Wall Corrugated			POA
-LP1	HDPE Perforated Lid			1,787.00
-LS1	HDPE Solid Lid			2,900.00
-LS2	2000 lb Load Composite Lid Solid			2,504.00

*Finished height to be cut in field



Product Size	Product Description	A inches [mm]	Product Weight lb [kg]
ZF110-R4	Adjustable Round HDPE	48 [1219]	49 [22]

Items designated as Best Sellers are most specified and are generally in stock for shipment.
 ⌚ This symbol denotes a product that is engineered to reduce installation and rework time.

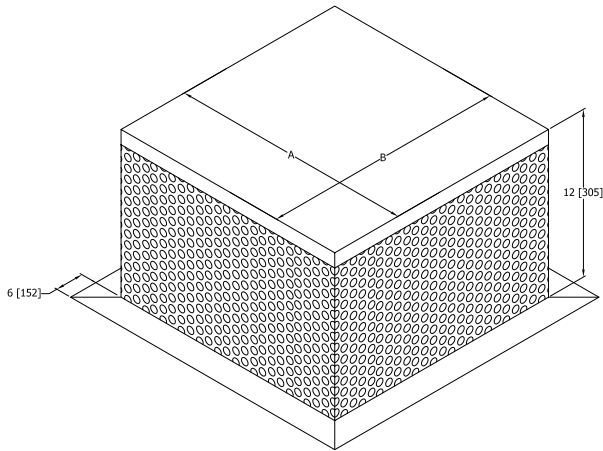
For additional product information, please visit www.zurn.com.

ZF110-S GREEN ROOF BOX - PERFORATED SCREEN ASSEMBLY, REMOVABLE COVER



ENGINEERING SPECIFICATION

Zurn green roof drain box comes standard with solid stainless steel top and stainless steel non-adjustable square sump box with vertical perforated sides to allow for proper drainage in green roof applications.



PREFIXES	DESCRIPTION	SIZE	A' DIM. SQ.	LIST PRICE
ZF110-S	Fabricated Type 304 Stainless Steel Green Roof Box*	3/4	16"	9,279.00
		5/6	20"	10,310.00
		8	28"	12,384.00
SUFFIXES				ADD
-GTA	Light Duty Heel-Proof Grate Aluminum	3/4		1,438.00
		5/6		1,354.00
		8		3,614.00
-GTS	Light Duty Heel-Proof Grate Stainless			POA
-H2	Double Height 24" [610mm]			POA
-H3	Triple Height 36" [914mm]			POA

Part Number	A inches [mm]	B inches [mm]	Product Weight lb [kg]
ZF110-S 3/4	16 [406]	16 [406]	18 [8]
ZF110-S 5/6	20 [508]	20 [508]	27 [12]
ZF110-S 8	28 [711]	28 [711]	39 [18]

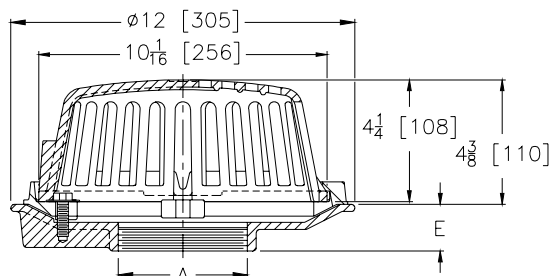
Z111 12" DIAMETER FLAT DECK ROOF DRAIN FOR METAL DECKS



ENGINEERING SPECIFICATION

Zurn Z111 12" diameter flat deck roof drain for metal decks features Dura-Coated cast iron body with combination membrane flashing clamp/gravel guard and low silhouette cast iron dome.

A Pipe Size inches [mm]	Dome Open Area sq in [cm ²]	Approximate Weight lb [kg]
3 [76], 4 [102]	78 [503]	22 [10]
6 [152]		24 [11]



PREFIXES	DESCRIPTION	PIPE SIZE	LIST PRICE	
Z111*	D.C.C.I. Body with 4-1/4" Dome	3", 4"	1,125.00	
		6"	1,951.00	
OUTLETS (SPECIFY PIPE SIZE IN INCHES AND TYPE OF OUTLET)				
OUTLET TYPE		OUTLET DESIGNATION (PIPE SIZE/OUTLET TYPE)	E BODY HT. DIM.	ADD
IP	Threaded	3IP, 4IP	1-5/8"	N/C
		6IP	1-7/8"	N/C
SUFFIXES				ADD
-C	Underdeck Clamp			187.00
-FG	Flush Grate (Z only)			429.00
-G	Galvanized Cast Iron			489.00
-R	Roof Sump Receiver			321.00
-SS	Stainless Mesh Screen Over Dome			579.00
-VP	Vandal-Proof Secured Top			146.00

For additional product information, please visit www.zurn.com.

*Regularly furnished unless otherwise specified.

Items designated as Best Sellers are most specified and are generally in stock for shipment.

Ⓢ This symbol denotes a product that is engineered to reduce installation and rework time.

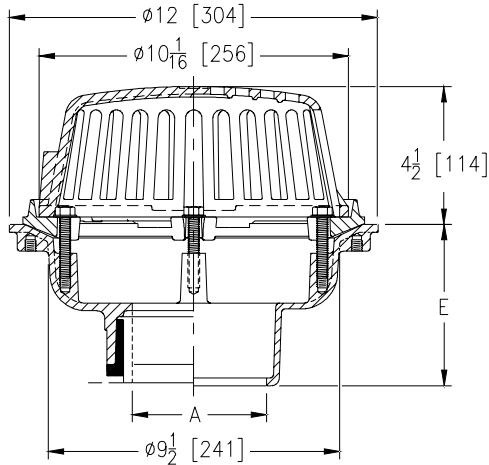
Z121 12" DIAMETER ROOF DRAIN LOW SILHOUETTE DOME



ENGINEERING SPECIFICATION

Zurn Z121 12" diameter roof drain features Dura-Coated Cast Iron body with combination membrane flashing clamp/gravel guard and low silhouette polydome.

A Pipe Size inches [mm]	Dome Open Area sq in [cm ²]	Approximate Weight lb [kg]
2 [51], 3 [76], 4 [102], 6 [152]	78 [503]	22 [10]



PREFIXES	DESCRIPTION	PIPE SIZE	LIST PRICE
Z121*	D.C.C.I. Body with 4-1/4" Polydome	2", 3", 4", 6"	777.00
ZA121	D.C.C.I. Body with 6-9/16" Aluminum Dome	2", 3", 4", 6"	997.00
ZC121	D.C.C.I. Body with Low-Silhouette Cast Iron Dome	2", 3", 4", 6"	972.00

OUTLETS (SPECIFY PIPE SIZE IN INCHES AND TYPE OF OUTLET)				
OUTLET TYPE		OUTLET DESIGNATION (PIPE SIZE/OUTLET TYPE)	E BODY HT. DIM.	ADD
IC	Inside Caulk	2IC, 3IC, 4IC, 6IC	5-1/4"	N/C
IP	Threaded	2IP, 3IP, 4IP, 6IP	3-3/4"	102.00
NH	No-Hub	2NH, 3NH, 4NH, 6NH	5-1/4"	N/C
NL	Neo-Loc (not recommended for roof drains)	2NL, 3NL, 4NL	4-5/8"	N/C

SUFFIXES		ADD
-AR	Acid Resistant Epoxy Coated Finish	1,260.00
-C	Underdeck Clamp	187.00
-DB	Deep Sump Body (IC Only)	555.00
ⓐ -DP	Top-Set® Roof Deck Plate (Replaces both -C and -R)	422.00
-E	Static Extension 1" thru 4"	D.C.C.I. 428.00 Galv. 813.00
	For Each Additional 1" above 4" - Per Inch (Specify Height)	D.C.C.I. 216.00 Galv. 406.00
ⓐ -EB	Top-Set Adjustable Extension Assembly	626.00
-FG	Flush Grate	429.00
-G	Galvanized Cast Iron	489.00
-R	Roof Sump Receiver	321.00
-SC	Secondary Clamping Collar	230.00
-SS	Stainless Steel Mesh Screen Over Dome	579.00
ⓐ -TC	Neo-Loc Test Cap Gasket (2", 3", 4" NL Bottom Outlet Only)	32.00
-VP	Vandal-Proof Secured Top	146.00
-XJ	Vertical Expansion Joint (See Z190) (Use with IP Outlets Only)	N/C
-84	Stainless Steel Perforated Gravel Guard 1" thru 4"	777.00
	For Each Additional 1" above 4" - Per Inch (Specify Height)	91.00
-85	Stainless Steel Perforated Extension 1" thru 4"	777.00
	For Each Additional 1" above 4" - Per Inch (Specify Height)	91.00
-89	2" High External Water Dam	243.00
-90	90° Threaded Side Outlet Body - 2", 3", 4"	198.00

BEST SELLERS		LIST PRICE
Z121-3NH		777.00
Z121-3NH-89		1,020.00
Z121-3IP-90		1,077.00
Z121-3NH-DP		1,199.00
Z121-3NH-SS		1,356.00
ZC121-3NH		972.00
Z121-3NL-FG		1,206.00
Z121-4NH		777.00
ZC121-4NH		972.00
Z121-4NH-89		1,020.00
Z121-4NH-89-DP		1,442.00
Z121-4NH-C		964.00
Z121-4NH-DP		1,199.00
Z121-4NL-89-R		1,341.00
Z121-4NL-R		1,098.00
ZA121-4NH		997.00
Z121-6NH		777.00
Z121-6NH-89		1,020.00
Z121-6NH-DP		1,199.00
ZC121-6NH		972.00

*Regularly furnished unless otherwise specified.

Items designated as Best Sellers are most specified and are generally in stock for shipment.

ⓐ This symbol denotes a product that is engineered to reduce installation and rework time.

For additional product information, please visit www.zurn.com.

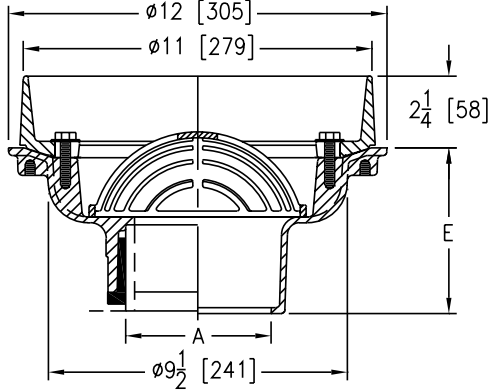
Z122 12" DIAMETER DECK RECEPTOR DRAIN



ENGINEERING SPECIFICATION

Zurn Z122 12" diameter deck receptor drain features Dura-Coated cast iron body with combination membrane flashing clamp/deck receptor frame and internal dome strainer.

A Pipe Size inches [mm]	Approximate Weight lb [kg]
2 [51], 3 [76], 4 [102], 6 [152]	29 [13]



PREFIXES	DESCRIPTION	PIPE SIZE	LIST PRICE
Z122*	D.C.C.I. Body with Collar	2", 3", 4", 6"	892.00

OUTLETS (SPECIFY PIPE SIZE IN INCHES AND TYPE OF OUTLET)

OUTLET TYPE	OUTLET DESIGNATION (PIPE SIZE/OUTLET TYPE)	E BODY HT. DIM.	ADD
NH	No-Hub	2NH, 3NH, 4NH, 6NH	5-1/4" N/C
NL	Neo-Loc (not recommended for roof drains)	2NL, 3NL, 4NL	4-5/8" N/C

SUFFIXES

SUFFIXES	ADD
-AR	Acid Resistant Epoxy Coated Finish 1,260.00
-C	Underdeck Clamp 187.00
Ⓢ -DP	Top-Set® Roof Deck Plate (Replaces both -C and -R) 422.00
-E	2" High Static Extension D.C.C.I. 213.00
	Galv. 406.00
	For Each Additional 1" above 2" - D.C.C.I. 110.00
	Per Inch (Specify Height) Galv. 206.00
Ⓢ -EB	Top-Set Adjustable Extension Assembly 626.00
-G	Galvanized Cast Iron 213.00
-HD	High Dome 123.00
-R	Roof Sump Receiver 321.00
Ⓢ -TC	Neo-Loc Test Cap Gasket (2" thru 4" NL Bottom Outlet Only) 32.00

BEST SELLERS

BEST SELLERS	LIST PRICE
Z122-2NH-C-R	1,400.00
Z122-4NH	892.00

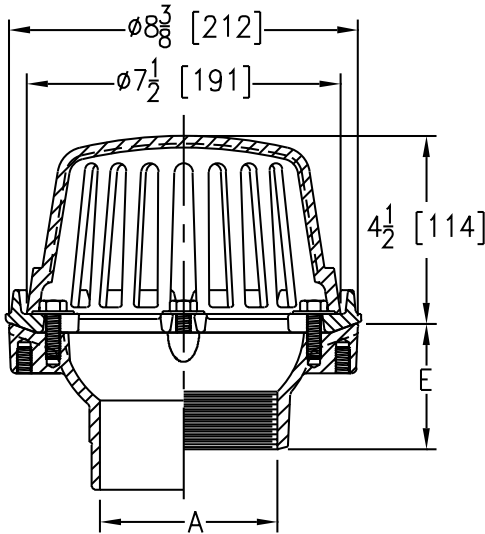
Z125 8-3/8" DIAMETER ROOF DRAIN LOW SILHOUETTE DOME



ENGINEERING SPECIFICATION

Zurn Z125 8-3/8" diameter roof drain features Dura-Coated cast iron body with combination flashing clamp/gravel guard and low silhouette polydome.

A Pipe Size inches [mm]	Dome Open Area sq in [cm ²]	Approximate Weight lb [kg]
2 [51], 3 [76], 4 [102]	43 [277]	14 [6]



PREFIXES	DESCRIPTION	PIPE SIZE	LIST PRICE
Z125*	D.C.C.I. Body with 4-1/4" Poly Dome	2", 3", 4"	660.00
ZA125	D.C.C.I. Body with 4-1/4" Aluminum Dome	2", 3", 4"	874.00
ZC125	D.C.C.I. Body with Low Silhouette Cast Iron Dome	2", 3", 4"	777.00

OUTLETS (SPECIFY PIPE SIZE IN INCHES AND TYPE OF OUTLET)				
OUTLET TYPE		OUTLET DESIGNATION (PIPE SIZE/OUTLET TYPE)	E BODY HT. DIM.	ADD
IC	Inside Caulk	2IC, 3IC, 4IC	3-7/8"	N/C
IP	Threaded	2IP	2-7/16"	102.00
		3IP	2-3/4"	102.00
		4IP	3"	102.00
NH	No-Hub	2NH, 3NH, 4NH	4"	N/C
NL	Neo-Loc (not recommended for roof drains)	2NL, 3NL, 4NL	3-13/16"	N/C

SUFFIXES		ADD	
-AR	Acid Resistant Epoxy Coated Finish	948.00	
-C	Underdeck Clamp	187.00	
Ⓢ -DP	Top-Set® Roof Deck Plate (Replaces -C and -R)	422.00	
-E	Static Extension 1" thru 4"	D.C.C.I.	428.00
		Galv.	813.00
	For Each Additional 1" above 4" - Per Inch (Specify Height)	D.C.C.I.	216.00
		Galv.	406.00
Ⓢ -EB	Top-Set Adjustable Extension Assembly	626.00	
-FG	Flush Grate (Replaces Dome Strainer)	314.00	
-G	Galvanized Cast Iron	249.00	
-R	Roof Sump Receiver	321.00	
-SC	Secondary Clamping Collar	243.00	
-SS	Stainless Steel Mesh Screen Over Dome	437.00	
Ⓢ -TC	Neo-Loc Test Cap Gasket (2", 3", 4" NL Bottom Outlet Only)	32.00	
-VP	Vandal-Proof Secured Top	146.00	
-XJ	Vertical Expansion Joint (See Z190) (Use with IP Outlets Only)	N/C	
-84	Stainless Steel Perforated Gravel Guard 1" thru 4"		575.00
		For Each Additional 1" above 4" - Per Inch (Specify Height)	91.00
-85	Stainless Steel Perforated Extension 1" thru 4"		575.00
		For Each Additional 1" above 4" - Per Inch (Specify Height)	91.00
-89	2" High External Water Dam	243.00	
-90	90° Threaded Side Outlet Body (2", 3", 4")	230.00	

BEST SELLERS	LIST PRICE
Z125-2NH	660.00
Z125-2NH-DP	1,082.00
Z125-3IP-90	992.00
Z125-3NH	660.00
Z125-3NH-89	903.00
Z125-3NH-89-DP	1,325.00
Z125-3NH-C	847.00
Z125-3NH-C-E2-FG	1,589.00
Z125-3NH-DP	1,082.00
ZC125-3NH	777.00
ZC125-3NH-DP	1,199.00
Z125-3NL	660.00
Z125-3NL-89	903.00
Z125-3NL-89-R	1,224.00
Z125-3NL-R	981.00
Z125-4NH	660.00
Z125-4NH-89	903.00
Z125-4NH-DP	1,082.00
ZC125-4NH	777.00

*Regularly furnished unless otherwise specified.

Items designated as Best Sellers are most specified and are generally in stock for shipment.

Ⓢ This symbol denotes a product that is engineered to reduce installation and rework time.

For additional product information, please visit www.zurn.com.

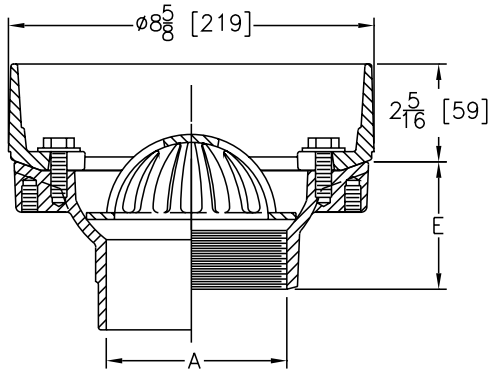
Z127 8-1/2" DIAMETER DECK RECEPTOR DRAIN



ENGINEERING SPECIFICATION

Zurn Z127 8-1/2" diameter deck receptor drain features Dura-Coated cast iron body with combination membrane flashing clamp/deck receptor frame and internal dome strainer.

A Pipe Size inches [mm]	Approximate Weight lb [kg]
2 [51], 3 [76], 4 [102]	19 [9]



PREFIXES	DESCRIPTION	PIPE SIZE	LIST PRICE
Z127*	D.C.C.I. Body with Collar	2", 3", 4"	735.00

OUTLETS (SPECIFY PIPE SIZE IN INCHES AND TYPE OF OUTLET)			
OUTLET TYPE	OUTLET DESIGNATION (PIPE SIZE/OUTLET TYPE)	E BODY HT. DIM.	ADD
IC	Inside Caulk	2IC, 3IC, 4IC	3-7/8" N/C
IP	Threaded	2IP	2-7/16" 102.00
		3IP	2-3/4" 102.00
		4IP	3" 102.00
NH	No-Hub	2NH, 3NH, 4NH	3-31/32" N/C
NL	Neo-Loc (not recommended for roof drains)	2NL, 3NL, 4NL	3-27/32" N/C

SUFFIXES		ADD	
-AR	Acid Resistant Epoxy Coated Finish	948.00	
-C	Underdeck Clamp	187.00	
Ⓢ -DP	Top-Set® Roof Deck Plate (Replaces -C and -R)	422.00	
-E	2" High Static Extension	D.C.C.I.	213.00
		Galv.	406.00
		For Each Additional 1" above 2" - Per Inch (Specify Height)	D.C.C.I. 110.00 Galv. 206.00
Ⓢ -EB	Top-Set Adjustable Extension Assembly	626.00	
-G	Galvanized Cast Iron	247.00	
-HD	High Dome	N/C	
-R	Roof Sump Receiver	321.00	
Ⓢ -TC	Neo-Loc Test Cap Gasket (2", 3", 4" NL Bottom Outlet Only)	32.00	

BEST SELLERS		LIST PRICE
Z127-2NH		735.00
Z127-2NH-DP		1,157.00

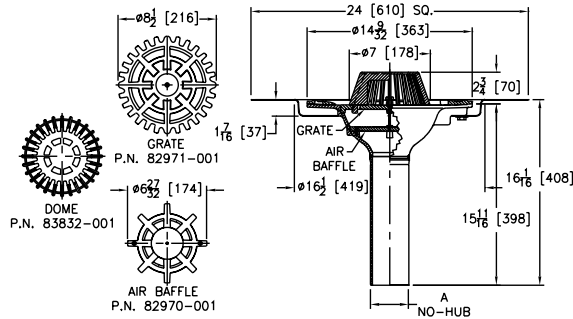
🕒 Z130 14-9/32" DIAMETER SIPHONIC MAIN ROOF DRAIN



ENGINEERING SPECIFICATION

Zurn Z130 14-9/32" diameter siphonic roof drain features Dura-Coated ductile iron drain body, membrane flashing clamp, and low silhouette polydome. Complete with vandal-proof secured, Dura-Coated cast iron, air-restricting baffle and grate, and Top-Set® deck plate.

A Pipe Size inches [mm]	Dome Open Area sq in [cm ²]	Approximate Weight lb [kg]
2 [51], 3 [76], 4 [102]	28 [181]	44 [20]



PREFIXES	DESCRIPTION	PIPE SIZE	LIST PRICE
Z130*	Dura-Coated Ductile Iron Body with Polydome	2", 3", 4"	POA

OUTLETS (SPECIFY PIPE SIZE IN INCHES AND TYPE OF OUTLET)			
OUTLET TYPE		OUTLET DESIGNATION (PIPE SIZE/OUTLET TYPE)	ADD
NH	No-Hub	2NH, 3NH, 4NH	N/C

SUFFIXES			
			ADD
① -DR	Top-Set® Drain Riser	D.C.C.I. Galv.	POA

① -EB	Top-Set Adjustable Extension Assembly		POA
-LD	Less Dome		POA
-LG	Less Dome and Grate		POA
-VP	Vandal-Proof Secured Top		POA

BEST SELLERS		LIST PRICE
Z130-2NH		POA
Z130-3NH		POA
Z130-4NH		POA

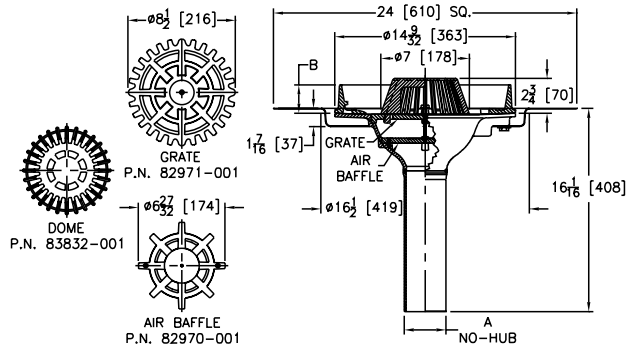
🕒 Z131 14-9/32" DIAMETER SIPHONIC OVERFLOW ROOF DRAIN



ENGINEERING SPECIFICATION

Zurn Z131 14-9/32" diameter siphonic overflow roof drain features Dura-Coated ductile iron drain body, 'B' high external combination membrane flashing clamp/ overflow gravel guard, and low silhouette polydome. Complete with vandal-proof secured, Dura-Coated cast iron, air-restricting baffle and grate, and Top-Set® deck plate.

A Pipe Size inches [mm]	Dome Open Area sq in [cm ²]	Approximate Weight lb [kg]
2 [51], 3 [76], 4 [102]	28 [181]	48 [22]



PREFIXES	DESCRIPTION	PIPE SIZE	LIST PRICE
Z131*	Dura-Coated Ductile Iron Body with Polydome	2", 3", 4"	POA

OUTLETS (SPECIFY PIPE SIZE IN INCHES AND TYPE OF OUTLET)				
OUTLET TYPE		OUTLET DESIGNATION (PIPE SIZE/OUTLET TYPE)	"B" DIMENSION	ADD
NH	No-Hub	2NH	2-1/4"	N/C
		3NH, 4NH	3-5/16"	N/C

SUFFIXES			
			ADD
① -DR	Top-Set® Drain Riser	D.C.C.I. Galv.	POA

① -EB	Top-Set Adjustable Extension Assembly		POA
-VP	Vandal-Proof Secured Top		POA

BEST SELLERS		LIST PRICE
Z131-2NH		POA
Z131-3NH		POA
Z131-4NH		POA

*Regularly furnished unless otherwise specified.

Items designated as Best Sellers are most specified and are generally in stock for shipment.

🕒 This symbol denotes a product that is engineered to reduce installation and rework time.

For additional product information, please visit www.zurn.com.

INTRO
ROOF DRAINS
FLOOR DRAINS
I, P, BW VALVES
INTERCEPTORS
CARRIERS
HYDRANTS
CLEANOUTS
WHA
SS DRAINS
SANI-FLOOR
TECH INFO

Z150 14" SQUARE TOP PROM-DECK DRAIN WITH HEEL-PROOF GRATE AND ROTABLE FRAME



PATENTED

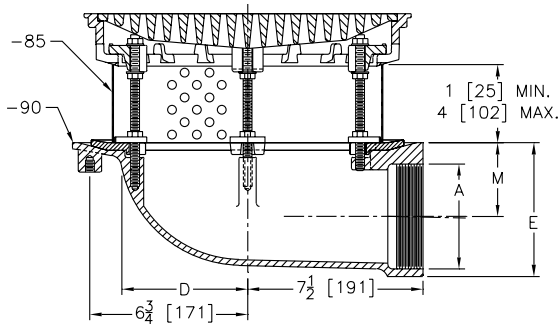
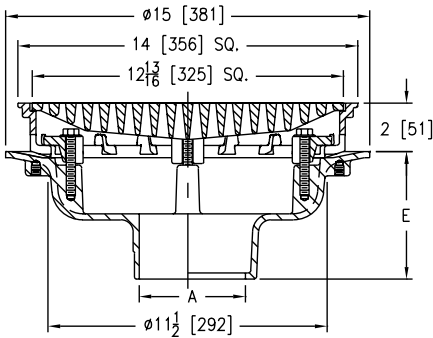
ENGINEERING SPECIFICATION

Zurn Z150 14" square top prom-deck drain features Dura-Coated cast iron body with rotatable, square promenade frame with seepage openings, frame clamps and heavy-duty, heel-proof grate and sediment bucket.

NOTES

*Add 3/16" to 2" dimension and 3/8" to 14" dimension

A Pipe Size inches [mm]	Grate Open Area sq in [cm ²]	Approximate Weight lb [kg]
2 [51], 3 [76], 4 [102]	44 [284]	53 [24]
6 [152]		54 [24]
8 [203]		



Shown with -85-90 Options

ZURN Z150-85-90 14" Square Top Lateral Prom-Deck Drain. Dura-Coated cast iron body with side outlet, rotatable square promenade frame with seepage openings, frame clamps, perforated stainless steel extension with secondary clamp collar, and heavy-duty heel-proof grate.

BEST SELLERS	LIST PRICE
Z150-3NH	1,491.00
Z150-3NH-DP	2,033.00
ZN150-3NH	2,733.00
Z150-3NL	1,491.00
Z150-3NL-85=4	2,464.00
Z150-4NH	1,491.00
Z150-4NH-85=4	2,464.00
Z150-4NH-85=4-EA	3,362.00

PREFIXES	DESCRIPTION	PIPE SIZE	LIST PRICE
Z150*	D.C.C.I. Body with Top	2", 3", 4"	1,491.00
		6"	1,846.00
		8"	2,190.00
ZN150†	D.C.C.I. Body with Polished Nickel Bronze Top	2", 3", 4"	2,733.00
		6"	3,081.00
		8"	3,425.00

OUTLETS (SPECIFY PIPE SIZE IN INCHES AND TYPE OF OUTLET)			
OUTLET TYPE	OUTLET DESIGNATION (PIPE SIZE/OUTLET TYPE)	E BODY HT. DIM.	ADD
IC	Inside Caulk	3IC, 4IC, 6IC	5-1/4" N/C
IP	Threaded	2IP, 3IP, 4IP, 6IP, 8IP	3-3/4" 102.00
NH	No-Hub	2NH, 3NH, 4NH, 6NH, 8NH	5-1/4" N/C
NL	Neo-Loc (not recommended for roof drains)	2NL, 3NL, 4NL	4-9/16" N/C

SUFFIXES		ADD
-AR	Acid Resistant Epoxy Coated Finish	1,680.00
-C	Underdeck Clamp	304.00
Ⓢ -DE	Deck Extension	D.C.C.I. 873.00 Galv. 1,295.00
Ⓢ -DP	Top-Set® Roof Deck Plate (Replaces -C and -R)	542.00
Ⓢ -DR	Top-Set Drain Riser (Adjustment from 3-5/8" thru 7-1/4")	D.C.C.I. 1,507.00 Galv. 1,928.00
-DT	Decorative Polished Top	223.00
-E	Static Extension 1" thru 4" (Specify Height)	D.C.C.I. 819.00
		Galv. 1,233.00
For E Extensions Greater than 4" - Per Inch (Specify Height)		D.C.C.I. 198.00 Galv. 302.00
-EA	Adjustable Extension Assembly 2-1/8" thru 3-1/2"	D.C.C.I. 898.00 Galv. 1,330.00
Ⓢ -EB	Top-Set Adjustable Extension Assembly	819.00
-G	Galvanized Cast Iron	1,103.00
-R	Roof Sump Receiver	339.00
-S	Secondary Strainer	123.00
-SC	Secondary Clamp Collar	231.00
Ⓢ -TC	Neo-Loc Test Cap Gasket (2", 3", 4" NL Bottom Outlet Only)	32.00
-TS	Top Secured with Slotted Screws	162.00
-VP	Vandal-Proof Secured Top	183.00
-XJ	Vertical Expansion Joint (See Z190) (Use with IP Outlets Only)	N/C
-85	Stainless Steel Perforated Extension 1" thru 4"	973.00
For Each Additional 1" above 4" - Per Inch (Specify Height)		101.00
-90	90° Threaded Side Outlet Body (2", 3", 4", 6")	458.00

For additional product information, please visit www.zurn.com.

*Regularly furnished unless otherwise specified.

Items designated as Best Sellers are most specified and are generally in stock for shipment.

Ⓢ This symbol denotes a product that is engineered to reduce installation and rework time.

Z154 12" SQUARE TOP PROM-DECK DRAIN WITH HEEL-PROOF GRATE AND ROTATABLE FRAME



PATENTED

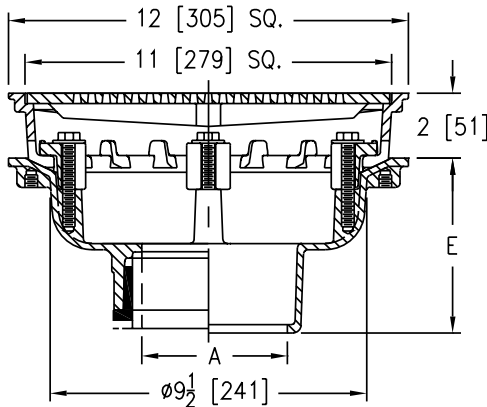
ENGINEERING SPECIFICATION

Zurn Z154 12" square top prom-deck drain features Dura-Coated cast iron body with rotatable, light-duty, square promenade frame with seepage openings, frame clamps and light-duty, heel-proof grate.

NOTES

†Add 3/16" to 2" dimension and 5/8" to 12" dimension

A Pipe Size inches [mm]	Grate Open Area sq in [cm ²]	Approximate Weight lb [kg]
2 [51], 3 [76], 4 [102], 6 [152]	34 [219]	29 [13]



PREFIXES	DESCRIPTION	PIPE SIZE	LIST PRICE
Z154*	D.C.C.I. Body with Top	2", 3", 4", 6"	1,338.00
ZB154†	D.C.C.I. Body with Polished Bronze Top	2", 3", 4", 6"	2,131.00
ZN154†	D.C.C.I. Body with Polished Nickel Bronze Top	2", 3", 4", 6"	2,252.00

OUTLETS (SPECIFY PIPE SIZE IN INCHES AND TYPE OF OUTLET)			
OUTLET TYPE	OUTLET DESIGNATION (PIPE SIZE/OUTLET TYPE)	E BODY HT. DIM.	ADD
IC	Inside Caulk	2IC, 3IC, 4IC, 6IC	5-1/4" N/C
IP	Threaded	2IP, 3IP, 4IP, 6IP	3-3/4" 102.00
NH	No-Hub	2NH, 3NH, 4NH, 6NH	5-1/4" N/C
NL	Neo-Loc (not recommended for roof drains)	2NL, 3NL, 4NL	4-9/16" N/C

SUFFIXES	ADD
-AR	Acid Resistant Epoxy Coated Finish 1,260.00
-C	Underdeck Clamp 187.00
-DG	Duresist Grate - Extra Heavy Duty 676.00
Ⓢ -DP	Top-Set® Roof Deck Plate 422.00
-DT	Decorative Polished Top 223.00
-E	2" High Static Extension D.C.C.I. 213.00
	Galv. 406.00
	For Each Additional 1" above 2" - Per Inch (Specify Height) D.C.C.I. 110.00
	Galv. 206.00
Ⓢ -EB	Top-Set Adjustable Extension Assembly 626.00
-G	Galvanized Cast Iron 623.00
-S	Secondary Strainer 123.00
-SC	Secondary Clamp Collar 243.00
Ⓢ -TC	Neo-Loc Test Cap Gasket (2", 3", 4" NL Bottom Outlet Only) 32.00
-TS	Top Secured with Slotted Screws 162.00
-VP	Vandal-Proof Secured Top 183.00
-Y	Sediment Bucket 321.00
-85	Stainless Steel Perforated Extension 1" thru 4" 777.00
	For Each Additional 1" above 4" - Per Inch (Specify Height) 91.00
-90	90° Threaded Side Outlet Body (2", 3", 4") 198.00

BEST SELLERS	LIST PRICE
Z154-3NH	1,338.00
Z154-3NH-C	1,525.00
Z154-3NH-VP	1,521.00
Z154-3NL	1,338.00
Z154-3NL-85=4	2,115.00
ZN154-3NL	2,252.00
ZB154-3NL	2,131.00
Z154-4NH	1,338.00
Z154-4NH-EB	1,964.00
ZN154-4NH-85=4	3,029.00
ZN154-4NL	2,252.00
ZN154-4NL-VP	2,435.00
ZN154-6NH	2,252.00

*Regularly furnished unless otherwise specified.

Items designated as Best Sellers are most specified and are generally in stock for shipment.

Ⓢ This symbol denotes a product that is engineered to reduce installation and rework time.

For additional product information, please visit www.zurn.com.

INTRO ROOF DRAINS FLOOR DRAINS T.P. BW VALVES INTERCEPTORS CARRIERS HYDRANTS CLEANOUTS WHA SS DRAINS SANI-FLOOR TECH INFO

Z158 10" SQUARE TOP PROM-DECK DRAIN WITH HEEL-PROOF GRATE AND ROTABLE FRAME



PATENTED

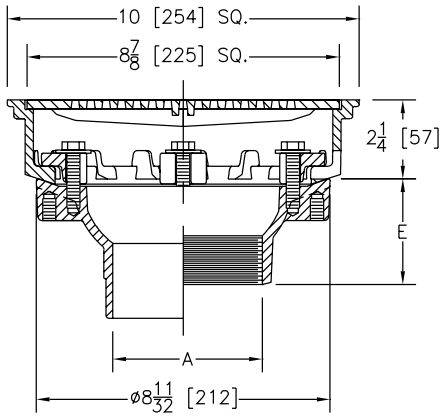
ENGINEERING SPECIFICATION

Zurn Z158 10" square top prom-deck drain features Dura-Coated cast iron body with rotatable, square promenade frame with seepage openings, frame clamps and light-duty, heel-proof grate.

NOTES

*Add 3/16" to 2-1/4" dimension and 5/8" to 10" dimension

A Pipe Size inches [mm]	Grate Open Area sq in [cm ²]	Approximate Weight lb [kg]
2 [51], 3 [76], 4 [102]	21 [136]	20 [9]



PREFIXES	DESCRIPTION	PIPE SIZE	LIST PRICE
Z158*	D.C.C.I. Body with Top	2", 3", 4"	1,018.00
ZB158†	D.C.C.I. Body with Polished Bronze Top	2", 3", 4"	1,486.00
ZN158†	D.C.C.I. Body with Polished Nickel Bronze Top	2", 3", 4"	1,549.00

OUTLETS (SPECIFY PIPE SIZE IN INCHES AND TYPE OF OUTLET)			
OUTLET TYPE	OUTLET DESIGNATION (PIPE SIZE/OUTLET TYPE)	E BODY HT. DIM.	ADD
IC	Inside Caulk	3IC, 4IC	3-7/8" N/C
IP	Threaded	2IP	2-7/16" 102.00
		3IP	2-3/4" 102.00
		4IP	3" 102.00
NH	No-Hub	2NH, 3NH, 4NH	4" N/C
NL	Neo-Loc (not recommended for roof drains)	2NL, 3NL, 4NL	3-13/16" N/C

SUFFIXES	ADD
-AR	Acid Resistant Epoxy Coated Finish 941.00
-C	Underdeck Clamp 187.00
-DG	Duresist Grate - Extra Heavy Duty 592.00
Ⓢ -DP	Top-Set® Roof Deck Plate 422.00
-DT	Decorative Polished Top 223.00
-E	2" High Static Extension D.C.C.I. 213.00
	Galv. 406.00
	For Each Additional 1" above 2" - Per Inch (Specify Height) D.C.C.I. 110.00
Galv. 206.00	
Ⓢ -EB	Top-Set Adjustable Extension Assembly 626.00
-G	Galvanized Cast Iron 339.00
-SC	Secondary Clamp Collar 243.00
Ⓢ -TC	Neo-Loc Test Cap Gasket (2", 3", 4" NL Bottom Outlet Only) 32.00
-TS	Top Secured with Slotted Screws 162.00
-VP	Vandal-Proof Secured Top 183.00
-Y	Sediment Bucket 263.00
-85	Stainless Steel Perforated Extension 1" thru 4" 575.00
	For Each Additional 1" above 4" - Per Inch (Specify Height) 101.00
-90	90° Threaded Side Outlet Body (2", 3", 4") 230.00

BEST SELLERS	LIST PRICE
Z158-3NH	1,018.00
Z158-3NH-C-E2	1,418.00
Z158-4NH	1,018.00
Z158-4NL	1,018.00
ZB158-3IP	1,588.00
ZN158-3NH	1,549.00
ZN158-3NL	1,549.00
ZB158-4NL	1,486.00
ZB158-4NL-VP	1,669.00
ZN158-4NL	1,549.00

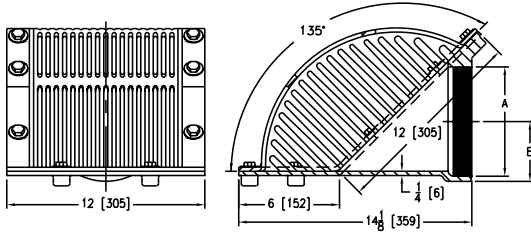
Z160 135° SCUPPER DRAIN



ENGINEERING SPECIFICATION

Zurn ZRB160 135° scupper drain features Dura-Coated cast iron body and plain bronze grate with integral membrane clamp.

Dimensions in inches [mm]		Grate Open Area sq in [cm ²]	Approximate Weight lb [kg]
A	B		
4 [102]	2-9/16 [65]	114 [735]	52 [24]
6 [152]	3-5/8 [92]		



PREFIXES	DESCRIPTION	PIPE SIZE	LIST PRICE
ZRB160*	D.C.C.I. Body with Plain Bronze Grate	4", 6"	5,036.00
ZB160	D.C.C.I. Body with Polished Bronze Grate	4", 6"	5,756.00
ZN160	D.C.C.I. Body with Polished Nickel Bronze Grate	4", 6"	6,053.00

OUTLETS (SPECIFY PIPE SIZE IN INCHES AND TYPE OF OUTLET)			
OUTLET TYPE		OUTLET DESIGNATION (PIPE SIZE/OUTLET TYPE)	ADD
IP	Threaded	4IP, 6IP	N/C
SUFFIXES			ADD
-G	Galvanized Cast Iron		665.00

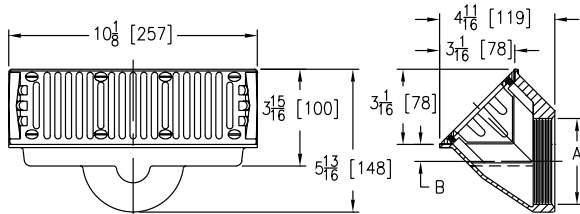
Z161 3" X 10" OBLIQUE SCUPPER DRAIN



ENGINEERING SPECIFICATION

Zurn ZARB161 3" x 10" oblique scupper drain features plain bronze body with gasket and plain bronze grate with integral membrane clamp.

Dimensions in inches [mm]		Grate Open Area sq in [cm ²]	Approximate Weight lb [kg]
A	B		
2 [51]	1-1/4 [32]	19 [123]	23 [10]
3 [76]	1-1/16 [27]		21 [10]



PREFIXES	DESCRIPTION	PIPE SIZE	LIST PRICE
ZARB161*	All Bronze Body with Plain Bronze Grate	2", 3"	1,515.00
ZAB161	All Bronze Body with Polished Bronze Grate	2", 3"	1,940.00
ZANB161	All Bronze Body with Polished Nickel Bronze Grate	2", 3"	2,398.00

OUTLETS (SPECIFY PIPE SIZE IN INCHES AND TYPE OF OUTLET)			
OUTLET TYPE		OUTLET DESIGNATION (PIPE SIZE/OUTLET TYPE)	ADD
IP	Threaded	2IP, 3IP	N/C
BEST SELLER			LIST PRICE
ZARB161-3IP			1,515.00

*Regularly furnished unless otherwise specified.

Items designated as Best Sellers are most specified and are generally in stock for shipment.

⌚ This symbol denotes a product that is engineered to reduce installation and rework time.

For additional product information, please visit www.zurn.com.

Z163 15" DIAMETER COMBINATION MAIN ROOF AND OVERFLOW DRAIN WITH LOW SILHOUETTE DOMES AND DOUBLE TOP-SET® DECK PLATE

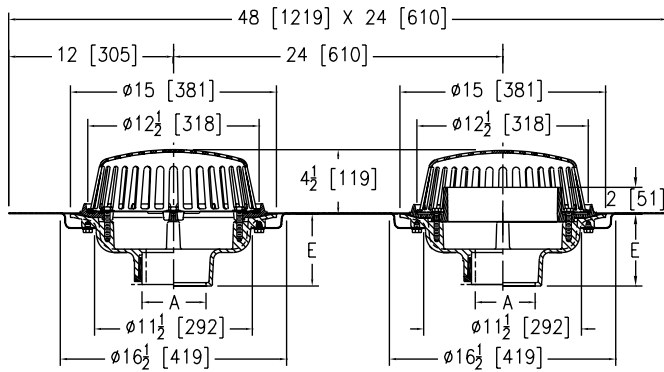


PATENTED

ENGINEERING SPECIFICATION

Zurn Z163 15" diameter roof drain and overflow drain feature Dura-Coated cast iron bodies with combination membrane flashing clamp/gravel guards, double Top-Set® deck plate and low silhouette polydomes.

A Pipe Size inches [mm]	Dome Open Area sq in [cm ²]	Approximate Weight lb [kg]
2 [51], 3 [76], 4 [102]	103 [665]	73 [33]
6 [152]		74 [34]
8 [203]		75 [34]



BEST SELLERS	LIST PRICE
Z163-3NH	3,080.00
ZA163-3NH	3,677.00
ZA163-3NH-EA	5,472.00
Z163-3NL-TC	3,140.00
Z163-4NH	3,080.00
Z163-4NH-EA	4,875.00
ZA163-4NH	3,677.00
ZA163-4NH-EA	5,472.00
Z163-4NL-TC	3,140.00
ZC163-4IP	3,790.00
Z163-6NH	3,825.00
Z163-6NH-DR	6,841.00
Z163-6NH-EA	5,620.00
Z163-6NH-EA-G-SC	6,953.00
Z163-6NH-VP-W3	4,654.00
Z163-6NH-W4	4,346.00
ZA163-6NH	4,428.00
ZA163-6NH-EA	6,223.00
ZC163-6NH	4,340.00
ZC163-6NH-EA	6,135.00
Z163-8NH	4,572.00
Z163-8NH-EA	6,367.00

PREFIXES	DESCRIPTION	PIPE SIZE	LIST PRICE
Z163*	D.C.C.I. Body with Polydome	2", 3", 4"	3,080.00
		6"	3,825.00
		8"	4,572.00
ZA163	D.C.C.I. Body with Aluminum Dome	2", 3", 4"	3,677.00
		6"	4,428.00
		8"	5,177.00
ZC163	D.C.C.I. Body with Cast Iron Dome	2", 3", 4"	3,593.00
		6"	4,340.00
		8"	5,088.00

OUTLETS (SPECIFY PIPE SIZE IN INCHES AND TYPE OF OUTLET)				
OUTLET TYPE	OUTLET DESIGNATION (PIPE SIZE/OUTLET TYPE)	E BODY HT. DIM.	ADD	
IC	Inside Caulk	3IC, 4IC, 6IC	5-1/4"	N/C
IP	Threaded	2IP, 3IP, 4IP, 6IP, 8IP	3-3/4"	197.00
NH	No-Hub	2NH, 3NH, 4NH, 6NH, 8NH	5-1/4"	N/C
NL	Neo-Loc (not recommended for roof drains)	2NL, 3NL, 4NL	4-5/8"	N/C

SUFFIXES				ADD
-AR	Acid Resistant Epoxy Coated Finish			3,352.00
Ⓢ -DE	Deck Extension	D.C.C.I.		1,742.00
		Galv.		2,585.00
Ⓢ -DR	Top-Set® Drain Riser			3,016.00
-E	Static Extension 1" thru 4" (Specify Height)	D.C.C.I.		1,634.00
		Galv.		2,465.00
		Galv.		594.00
-EA	Adjustable Extension Assembly 2-1/8" thru 3-1/2"	D.C.C.I.		1,795.00
		Galv.		2,660.00
-G	Galvanized Cast Iron (ZC Only)	Z		2,376.00
		ZC		3,380.00
-HD	6-3/4" High Aluminum Dome Strainer, Open Area 148 Sq. In. (ZA Only)			563.00
-SC	Secondary Clamping Collar			468.00
-SS	Stainless Mesh Screen Over Dome			1,248.00
Ⓢ -TC	Neo-Loc Test Cap Gasket (2", 3", 4" NL Bottom Outlet Only)			60.00
-VP	Vandal-Proof Secured Top			308.00
-W3	3" Internal Water Dam			521.00
-W4	4" Internal Water Dam			521.00
-XJ	Vertical Expansion Joint (See Z190)			N/C
-84	Stainless Steel Perforated Gravel Guard 1" thru 4"			1,941.00
		For Each Additional 1" above 4" - Per Inch (Specify Height)		91.00
-85	Stainless Steel Perforated Extension 1" thru 4"			1,956.00
		For Each Additional 1" above 4" - Per Inch (Specify Height)		91.00
-89	2" High External Water Dam (Replaces Internal Dam)			N/C

For additional product information, please visit www.zurn.com.

*Regularly furnished unless otherwise specified.

Items designated as Best Sellers are most specified and are generally in stock for shipment.

Ⓢ This symbol denotes a product that is engineered to reduce installation and rework time.

🕒 Z164 12" DIAMETER COMBINATION MAIN ROOF AND OVERFLOW DRAIN WITH LOW SILHOUETTE DOMES AND DOUBLE TOP-SET® DECK PLATE

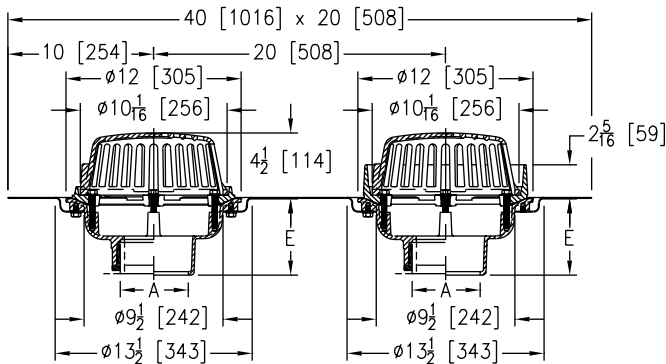


PATENTED

ENGINEERING SPECIFICATION

Zurn Z164 12" diameter roof drain and overflow drain feature Dura-Coated cast iron bodies with combination membrane flashing clamp/gravel guards, double Top-Set® deck plate and low silhouette cast iron domes.

A Pipe Size inches [mm]	Dome Open Area sq in [cm ²]	Approximate Weight lb [kg]
2 [51], 3 [76], 4 [102], 6 [152]	78 [503]	66 [30]



PREFIXES	DESCRIPTION	PIPE SIZE	LIST PRICE
Z164*	D.C.C.I. Body with 4-1/4" Dome	2", 3", 4", 6"	2,402.00
ZA164	D.C.C.I. Body with 6-9/16" Aluminum Dome	2", 3", 4", 6"	2,624.00

OUTLETS (SPECIFY PIPE SIZE IN INCHES AND TYPE OF OUTLET)			
OUTLET TYPE	OUTLET DESIGNATION (PIPE SIZE/OUTLET TYPE)	E BODY HT. DIM.	ADD
IC	Inside Caulk	2IC, 3IC, 4IC, 6IC	5-1/4" N/C
IP	Threaded	2IP, 3IP, 4IP, 6IP	3-3/4" 197.00
NH	No-Hub	2NH, 3NH, 4NH, 6NH	5-1/4" N/C
NL	Neo-Loc (not recommended for roof drains)	2NL, 3NL, 4NL	4-5/8" N/C

SUFFIXES	ADD
-AR	Acid Resistant Epoxy Coated Finish 2,517.00
-E	Static Extension 1" thru 4" D.C.C.I. 428.00
	Galv. 813.00
	For Each Additional 1" above 4" - D.C.C.I. 216.00
	Per Inch (Specify Height) Galv. 406.00
-G	Galvanized Cast Iron 980.00
-SC	Secondary Clamping Collar 456.00
-SS	Stainless Steel Mesh Screen Over Dome 1,159.00
-TC	Neo-Loc Test Cap Gasket (2", 3", 4" NL Bottom Outlet Only) 60.00
-VP	Vandal-Proof Secured Top 284.00
-XJ	Vertical Expansion Joint (See Z190) N/C
-84	Stainless Steel Perforated Gravel Guard 1" thru 4" 1,777.00
	For Each Additional 1" above 4" - Per Inch (Specify Height) 82.00
-85	Stainless Steel Perforated Extension 1" thru 4" 1,790.00
	For Each Additional 1" above 4" - Per Inch (Specify Height) 82.00

BEST SELLERS	LIST PRICE
Z164-3NH	2,402.00
Z164-3NH-SC	2,858.00
Z164-3NH-VP	2,686.00
ZA164-3NH-G	3,604.00
Z164-3NL	2,402.00
Z164-4NH	2,402.00
Z164-4NH-E4	2,830.00
Z164-4NH-VP	2,686.00
Z164-4NL	2,402.00
Z164-6NH	2,402.00
Z164-6NH-SC	2,858.00

*Regularly furnished unless otherwise specified.

Items designated as Best Sellers are most specified and are generally in stock for shipment.

🕒 This symbol denotes a product that is engineered to reduce installation and rework time.

For additional product information, please visit www.zurn.com.

INTRO ROOF DRAINS FLOOR DRAINS I.P. BW VALVES INTERCEPTORS CARRIERS HYDRANTS CLEANOUTS WHA SS DRAINS SANI-FLOOR TECH INFO

Ⓢ Z165 8-3/8" DIAMETER COMBINATION MAIN ROOF AND OVERFLOW DRAIN WITH LOW SILHOUETTE DOMES AND DOUBLE TOP-SET® DECK PLATE

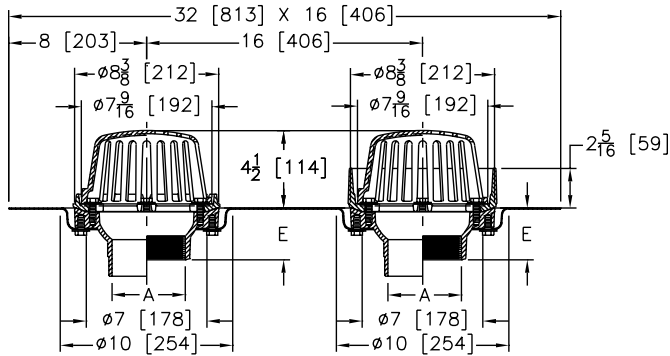


PATENTED

ENGINEERING SPECIFICATION

Zurn Z165 8-3/8" diameter roof drain and overflow drain feature Dura-Coated cast iron bodies with combination membrane flashing clamp/gravel guards, double Top-Set® deck plate, and low silhouette cast iron domes.

A Pipe Size inches [mm]	Dome Open Area sq in [cm ²]	Approximate Weight lb [kg]
2 [51], 3 [76], 4 [102]	43 [277]	36 [16]



PREFIXES	DESCRIPTION	PIPE SIZE	LIST PRICE
Z165*	D.C.C.I. Body with 4-1/4" Dome	2", 3", 4"	2,160.00
ZA165	D.C.C.I. Body with 4-1/4" Aluminum Dome	2", 3", 4"	2,390.00

OUTLETS (SPECIFY PIPE SIZE IN INCHES AND TYPE OF OUTLET)			
OUTLET TYPE	OUTLET DESIGNATION (PIPE SIZE/OUTLET TYPE)	E BODY HT. DIM.	ADD
IC	Inside Caulk	2IC, 3IC, 4IC	3-7/8" N/C
IP	Threaded	2IP	2-7/16" 197.00
		3IP	2-3/4" 197.00
		4IP	3" 197.00
NH	No-Hub	2NH, 3NH, 4NH	4" N/C
NL	Neo-Loc (not recommended for roof drains)	2NL, 3NL, 4NL	3-13/16" N/C

SUFFIXES		ADD
-AR	Acid Resistant Epoxy Coated Finish	1,885.00
-E	Static Extension 1" thru 4"	D.C.C.I. 428.00
		Galv. 813.00
For Each Additional 1" above 4" - Per Inch (Specify Height)		D.C.C.I. 216.00
		Galv. 406.00
-G	Galvanized Cast Iron	495.00
-SC	Secondary Clamping Collar	475.00
-SS	Stainless Steel Mesh Screen Over Dome	874.00
Ⓢ -TC	Neo-Loc Test Cap Gasket (2", 3", 4" NL Bottom Outlet Only)	60.00
-VP	Vandal-Proof Secured Top	284.00
-XJ	Vertical Expansion Joint (See Z190) (Use with IP Outlets Only)	N/C
-84	Stainless Steel Perforated Gravel Guard 1" thru 4"	1,777.00
		For Each Additional 1" above 4" - Per Inch (Specify Height) 82.00
-85	Stainless Steel Perforated Extension 1" thru 4"	1,790.00
		For Each Additional 1" above 4" - Per Inch (Specify Height) 82.00

BEST SELLERS		LIST PRICE
Z165-2NH		2,160.00
Z165-3NH		2,160.00
Z165-3NL		2,160.00
Z165-4NH		2,160.00
Z165-4NL		2,160.00

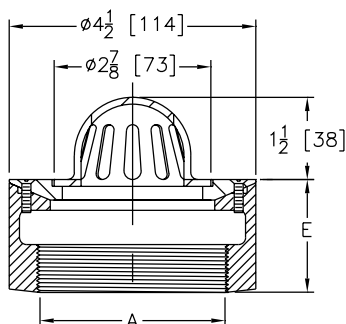
Z180 4-1/2" DIAMETER CORNICE DRAIN WITH BOTTOM OUTLET



ENGINEERING SPECIFICATION

Zurn ZRB180 4-1/2" diameter by 2" high cornice drain features Dura-Coated cast iron body, plain bronze dome, and membrane flashing clamp.

A Pipe Size inches [mm]	Dome Open Area sq in [cm ²]	Approximate Weight lb [kg]
2 [51], 3 [76]	4.5 [29]	5 [2]



PREFIXES	DESCRIPTION	PIPE SIZE	LIST PRICE
ZRB180*	D.C.C.I. Body with Plain Bronze Dome	2", 3"	548.00
ZN180	D.C.C.I. Body with Polished Nickel Bronze Dome	2", 3"	817.00

OUTLETS (SPECIFY PIPE SIZE IN INCHES AND TYPE OF OUTLET)			
OUTLET TYPE	OUTLET DESIGNATION (PIPE SIZE/OUTLET TYPE)	E BODY HT. DIM.	ADD
IP	Threaded	2IP, 3IP	2" N/C
NH	No-Hub (IP w/Z1040)	2NH, 3NH	4-1/2" N/C
SUFFIXES		ADD	
-FS	Flat Strainer (ZN)	N/C	
-G	Galvanized Cast Iron	198.00	
-VP	Vandal-Proof Secured Top	75.00	

For additional product information, please visit www.zurn.com.

*Regularly furnished unless otherwise specified.

Items designated as Best Sellers are most specified and are generally in stock for shipment.

Ⓢ This symbol denotes a product that is engineered to reduce installation and rework time.

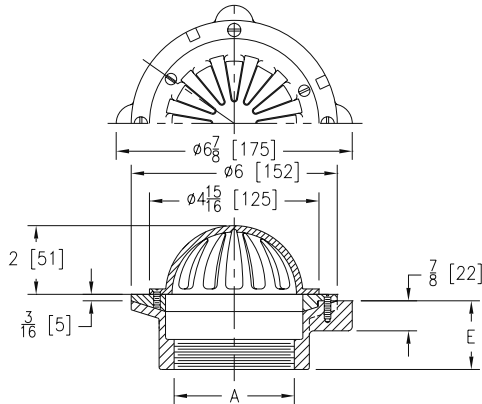
Z181 6" DIAMETER CORNICE DRAIN WITH BOTTOM OUTLET



ENGINEERING SPECIFICATION

Zurn ZRB181 6" diameter by 2" high cornice drain features Dura-Coated cast iron body, plain bronze dome, and membrane flashing clamp.

A Pipe Size inches [mm]	Dome Open Area sq in [cm ²]	Approximate Weight lb [kg]
3 [76]	11 [71]	6 [3]
4 [102]		7 [3]



PREFIXES	DESCRIPTION	PIPE SIZE	LIST PRICE
ZRB181*	D.C.C.I. Body with Plain Bronze Dome	3"	982.00
		4"	1,374.00
ZN181	D.C.C.I. Body with Polished Nickel Bronze Dome	3"	1,232.00
		4"	1,628.00

OUTLETS (SPECIFY PIPE SIZE IN INCHES AND TYPE OF OUTLET)			
OUTLET TYPE	OUTLET DESIGNATION (PIPE SIZE/OUTLET TYPE)	E BODY HT. DIM.	ADD
IP	Threaded 3IP, 4IP	2"	N/C
NH	No-Hub (IP w/Z1040) 3NH, 4NH	4-1/2"	N/C

SUFFIXES			ADD
-BS	Bronze Mesh Screen Over Dome		656.00
-C	Underdeck Clamp		187.00
-FS	Flat Strainer (ZN)		N/C
-G	Galvanized Cast Iron		209.00
-HD	5-3/4" High Dome	ZRB	107.00
		ZN	137.00
-R	Roof Sump Receiver		321.00
-SS	Stainless Steel Mesh Screen Over Dome		656.00
-VP	Vandal-Proof Secured Top		75.00

BEST SELLERS		LIST PRICE
ZN181-4IP-FS		1,628.00
ZN181-4NH-HD-SS		2,421.00

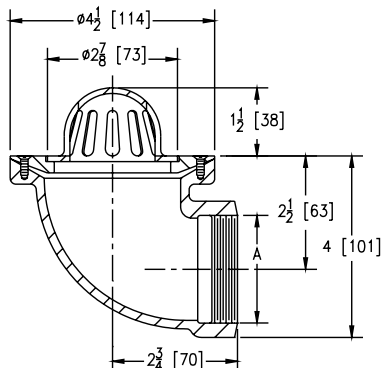
Z182 4-1/2" DIAMETER CORNICE DRAIN WITH 90° OUTLET



ENGINEERING SPECIFICATION

Zurn ZRB182 4-1/2" diameter cornice drain features Dura-Coated cast iron 90° side outlet body, plain bronze dome, and membrane flashing clamp.

A Pipe Size inches [mm]	Dome Open Area sq in [cm ²]	Approximate Weight lb [kg]
2 [51]	4.5 [29]	5 [2]



PREFIXES	DESCRIPTION	PIPE SIZE	LIST PRICE
ZRB182*	D.C.C.I. Body with Plain Bronze Dome	2"	699.00
ZN182	D.C.C.I. Body with Polished Nickel Bronze Dome	2"	974.00

OUTLETS (SPECIFY PIPE SIZE IN INCHES AND TYPE OF OUTLET)			
OUTLET TYPE	OUTLET DESIGNATION (PIPE SIZE/OUTLET TYPE)	ADD	
IP	Threaded 2IP		N/C

SUFFIXES			ADD
-FS	Flat Strainer (ZN)		N/C
-G	Galvanized Cast Iron		209.00
-VP	Vandal-Proof Secured Top		75.00

*Regularly furnished unless otherwise specified.

Items designated as Best Sellers are most specified and are generally in stock for shipment.

⌚ This symbol denotes a product that is engineered to reduce installation and rework time.

For additional product information, please visit www.zurn.com.

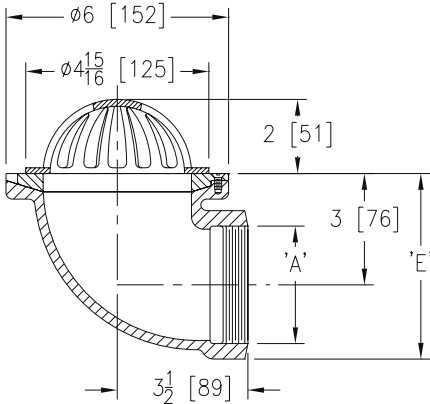
Z185 6" DIAMETER CORNICE DRAIN WITH 90° OUTLET



ENGINEERING SPECIFICATION

Zurn ZRB185 6" diameter cornice drain features Dura-Coated cast iron 90° side outlet body, plain bronze dome, and membrane flashing clamp.

A Pipe Size inches [mm]	Dome Open Area sq in [cm ²]	Approximate Weight lb [kg]
3 [76]	11 [71]	8 [4]
4 [102]		10 [5]



PREFIXES	DESCRIPTION	PIPE SIZE	LIST PRICE
ZRB185*	D.C.C.I. Body with Plain Bronze Dome	3", 4"	943.00
ZN185	D.C.C.I. Body with Polished Nickel Bronze Dome	3", 4"	1,211.00

OUTLETS (SPECIFY PIPE SIZE IN INCHES AND TYPE OF OUTLET)				
OUTLET TYPE		OUTLET DESIGNATION (PIPE SIZE/OUTLET TYPE)	E BODY HT. DIM.	ADD
IP	Threaded	3IP	5-1/8"	N/C
		4IP	5-5/8"	N/C

SUFFIXES			
			ADD
-FS	Flat Strainer (ZN)		N/C
-G	Galvanized Cast Iron		209.00
-HD	5-3/4" High Dome	ZRB	107.00
		ZN	137.00
-VP	Vandal-Proof Secured Top		75.00
-45	45° Side Outlet Body		N/C

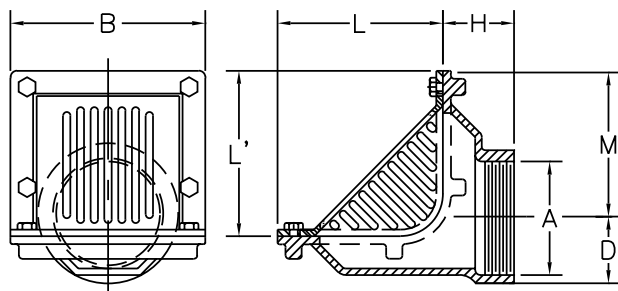
Z187 6" X 7" OR 8" X 12" OBLIQUE SCUPPER DRAIN



ENGINEERING SPECIFICATION

Zurn Z187 6" x 7" or 8" x 12" scupper drain features Dura-Coated cast iron body with reversible back or bottom outlet, oblique aluminum grate with 90° combination frame, and membrane flashing clamp.

Dimensions in inches [mm]						Grate Open Area sq in [cm ²]	Approximate Weight lb [kg]
A	B	H	L	M			
2 [51]	7-1/2 [191]	2-3/4 [70]	6-3/8 [162]	6-11/16 [170]	31 [200]	22 [10]	
3 [76]				6-5/32 [156]		20 [9]	
4 [102]	5-5/8 [143]	20 [9]					
6 [152]	12-1/2 [318]	3-1/2 [89]	8-3/8 [213]	7-3/8 [187]	72 [465]	32 [15]	
8 [203]				6-3/8 [162]		33 [15]	



PREFIXES	DESCRIPTION	PIPE SIZE	LIST PRICE
Z187*	D.C.C.I. Body with Grate	2", 3", 4"	768.00
		6", 8"	1,486.00
ZN187	D.C.C.I. Body with Polished Nickel Bronze Grate	2", 3", 4"	2,013.00
		6", 8"	2,733.00

OUTLETS (SPECIFY PIPE SIZE IN INCHES AND TYPE OF OUTLET)				
OUTLET TYPE		OUTLET DESIGNATION (PIPE SIZE/OUTLET TYPE)	E BODY HT. DIM.	ADD
IP	Threaded	2IP, 3IP, 4IP	8-3/16"	N/C
		6IP, 8IP	11"	N/C

SUFFIXES				
			ADD	
-BS	Bronze Mesh Screen Over Grate		660.00	
-FG	Flush Grate	2", 3", 4"	Z, ZN	60.00
		6", 8"	Z	78.00
-G	Galvanized Cast Iron		ZN	538.00
			2", 3", 4"	302.00
		6", 8"	594.00	
-VP	Vandal-Proof Secured Top		75.00	

BEST SELLERS		LIST PRICE
Z187-3IP		768.00
Z187-3NH		768.00
Z187-4IP		768.00
Z187-4NH		768.00
Z187-6NH		1,486.00
ZN187-6NH		2,733.00

For additional product information, please visit www.zurn.com.

*Regularly furnished unless otherwise specified.

Items designated as Best Sellers are most specified and are generally in stock for shipment.

Ⓢ This symbol denotes a product that is engineered to reduce installation and rework time.

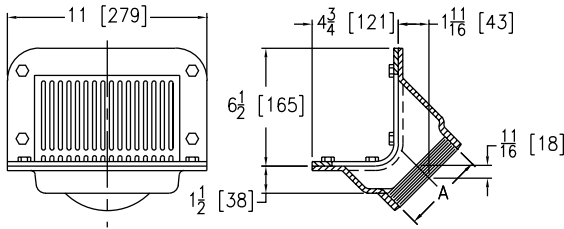
Z189 5" X 6" X 11" SCUPPER DRAIN



ENGINEERING SPECIFICATION

Zurn Z189 5" x 6" x 11" scupper drain features Dura-Coated cast iron body with 45° outlet and flush type aluminum strainer with combination aluminum frame and membrane flashing clamp.

A Pipe Size inches [mm]	Grate Open Area sq in [cm ²]	Approximate Weight lb [kg]
2 [51]	20 [129]	18 [8]
3 [76]		
4 [102]		



PREFIXES	DESCRIPTION	PIPE SIZE	LIST PRICE
Z189*	D.C.C.I. Body with Aluminum Grate	2", 3", 4"	881.00
ZB189	D.C.C.I. Body with Polished Bronze Grate	2", 3", 4"	1,780.00
ZN189	D.C.C.I. Body with Polished Nickel Bronze Grate	2", 3", 4"	2,192.00

OUTLETS (SPECIFY PIPE SIZE IN INCHES AND TYPE OF OUTLET)			
OUTLET TYPE		OUTLET DESIGNATION (PIPE SIZE/OUTLET TYPE)	ADD
IP	Threaded	2IP, 3IP, 4IP	N/C
NH	No-Hub (IP w/Z1040)	2NH, 3NH, 4NH	N/C
SUFFIXES			
			ADD
-G	Galvanized Cast Iron		302.00
-TS	Secured Top		75.00
-VP	Vandal-Proof Secured Top		75.00
-90	Threaded Side Outlet Body		N/C

BEST SELLERS	LIST PRICE
ZN189-3IP	2,192.00
Z189-4NH	881.00

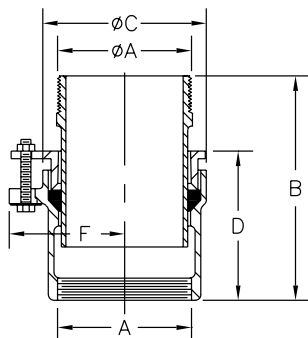
Z190 VERTICAL EXPANSION JOINT



ENGINEERING SPECIFICATION

Zurn ZRB190 vertical expansion joint features Dura-Coated cast iron body, packing gland, and siliconed bronze sleeve with preformed neoprene packing gasket.

Dimensions in inches [mm]						Approximate Weight lb [kg]
A	B		C	D	F	
	Min.	Max.				
2 [51]	6-1/2 [165]	8-1/2 [216]	3-5/8 [92]	5 [127]	2-3/4 [70]	8 [4]
3 [76]			4-5/8 [117]		3-1/4 [83]	11 [5]
4 [102]			5-1/2 [140]	4-3/4 [121]	3-3/4 [95]	13 [6]
6 [152]	6-7/8 [175]	8-5/8 [219]	7-7/8 [200]	5 [127]	5 [127]	25 [11]
8 [203]	7-7/8 [200]	10-7/8 [276]	9-7/8 [251]		6 [152]	35 [16]
10 [254]			11-3/4 [298]		6 [152]	6-7/8 [175]



PREFIXES	DESCRIPTION	PIPE SIZE	LIST PRICE
ZRB190*	D.C.C.I. Body with Polished Bronze Sleeve	2"	867.00
		3"	924.00
		4"	1,046.00
		6"	1,741.00
		8"	3,071.00
		10"	6,388.00

OUTLETS (SPECIFY PIPE SIZE IN INCHES AND TYPE OF OUTLET)				
OUTLET TYPE		OUTLET DESIGNATION (PIPE SIZE/OUTLET TYPE)	'D' BODY HT. DIM.	ADD
IP	Threaded	2IP, 3IP, 4IP, 6IP, 8IP, 10IP	(See Chart)	N/C
NH	No-Hub	2NH, 3NH, 4NH, 6NH, 8NH, 10NH	(See Chart)	N/C

SUFFIXES		ADD
-G	Galvanized Cast Iron	225.00

BEST SELLERS	LIST PRICE
ZRB190-4NH	1,046.00
ZRB190-8IP	3,071.00

*Regularly furnished unless otherwise specified.

Items designated as Best Sellers are most specified and are generally in stock for shipment.

⌚ This symbol denotes a product that is engineered to reduce installation and rework time.

For additional product information, please visit www.zurn.com.

Z191 5" X 4" X 24" DOWNSPOUT BOOT

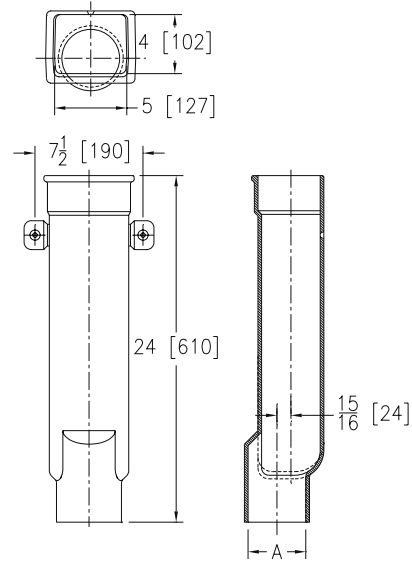


ENGINEERING SPECIFICATION

Zurn Z191 5" x 4" x 24" downspout boot features Dura-Coated cast iron body and strap with 1/4" diameter cast holes for flat-head bolts.

Product Designation	Dimensions in inches [mm]		Approximate Weight lb [kg]
	Size	A	
-24	5 [127] x 4 [102] x 24 [610]	4 [102]	30 [14]

PREFIXES	DESCRIPTION	A PIPE SIZE	LIST PRICE
Z191*	D.C.C.I. Body	4"	1,724.00
OUTLETS (SPECIFY PIPE SIZE IN INCHES AND TYPE OF OUTLET)			
OUTLET TYPE	OUTLET DESIGNATION (PIPE SIZE/OUTLET TYPE)		ADD
NH	No-Hub	4NH	N/C
SUFFIXES			ADD
-CA	Cleanout Access with Plug		843.00
-G	Galvanized Cast Iron		1,205.00
BEST SELLERS			LIST PRICE
Z191-24			1,724.00
Z191-24-CA			2,567.00
Z191-24-G			2,929.00



Z191-RD 4" X 18" DOWNSPOUT BOOT

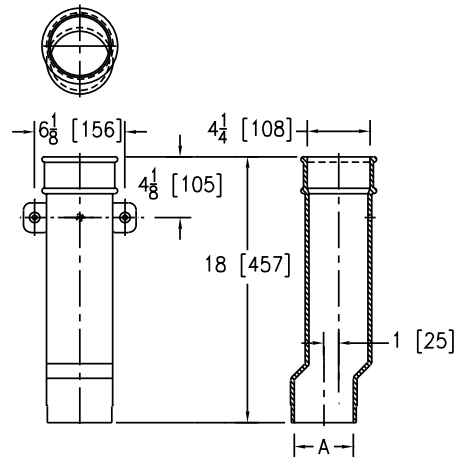


ENGINEERING SPECIFICATION

Zurn Z191-RD 4" x 18" downspout boot features Dura-Coated cast iron body, round inlet and outlet, and strap with 1/4" diameter cast holes for flat-head bolts.

Product Designation	Dimensions in inches [mm]		Approximate Weight lb [kg]
	Size	A	
-18	4 [102] x 18 [457]	4 [102]	20 [9]

PREFIXES	DESCRIPTION	A PIPE SIZE	LIST PRICE
Z191-RD*	D.C.C.I. Body	4"	1,196.00
OUTLETS (SPECIFY PIPE SIZE IN INCHES AND TYPE OF OUTLET)			
OUTLET TYPE	OUTLET DESIGNATION (PIPE SIZE/OUTLET TYPE)		ADD
NH	No-Hub	4NH	N/C
SUFFIXES			ADD
-CA	Cleanout Access with Plug		843.00
-G	Galvanized Cast Iron		1,205.00
BEST SELLERS			LIST PRICE
Z191-RD-18			1,196.00
Z191-RD-18-CA			2,039.00



Z192 4" X 3" DOWNSPOUT BOOT



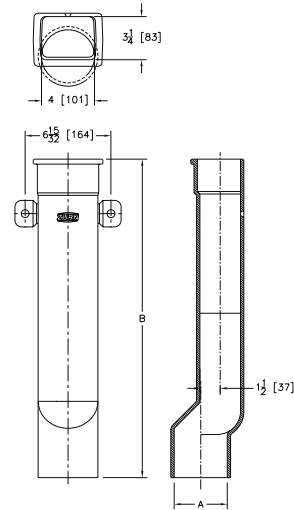
ENGINEERING SPECIFICATION

Zurn Z192 4" x 3" downspout boot features Dura-Coated cast iron body and strap with 1/4" diameter cast holes for flat head bolts.

Product Designation	Dimensions in inches [mm]			Approximate Weight lb [kg]
	Size	A	B	
-12	4 [102] x 3 [76] x 12 [305]		12 [305]	14 [6]
-18	4 [102] x 3 [76] x 18 [457]	4 [102]	18 [457]	20 [9]
-24	4 [102] x 3 [76] x 24 [610]		24 [610]	27 [12]

PREFIXES	DESCRIPTION	PRODUCT DESIGNATION	LIST PRICE
Z192*	D.C.C.I. Body	-12	822.00
		-18	1,082.00
		-24	1,928.00

OUTLETS (SPECIFY PIPE SIZE IN INCHES AND TYPE OF OUTLET)			
OUTLET TYPE		OUTLET DESIGNATION (PIPE SIZE/OUTLET TYPE)	ADD
NH	No Hub	4NH	N/C
SUFFIXES			
			ADD
-CA	Cleanout Access with Plug		843.00
-G	Galvanized Cast Iron		656.00



BEST SELLERS	LIST PRICE
Z192-12	822.00
Z192-12-CA	1,665.00
Z192-18	1,082.00
Z192-18-CA	1,925.00
Z192-24	1,928.00
Z192-24-CA	2,771.00

Z193 VANDAL-PROOF HOODED VENT CAP



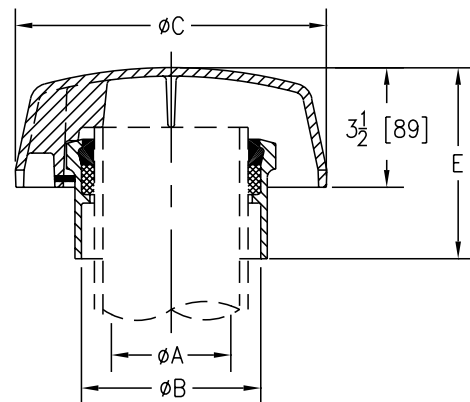
ENGINEERING SPECIFICATION

Zurn Z193 vandal-proof vent cap features Dura-Coated cast iron body and hooded dome cap, vandal-proof securing device.

Dimensions in inches [mm]			Open Area Sq.	Approximate Weight lb [kg]
A	B	C		
1-1/2 [38], 2 [51]	3-1/8 [79]	6-3/8 [162]	2 : 1	9 [4]
3 [76]	4-3/16 [106]	7-5/8 [194]		12 [5]
4 [102]	5-1/4 [133]	9-1/8 [232]		14 [6]
5 [127]	6-3/16 [157]	10-1/8 [257]		16 [7]
6 [152]	7-3/16 [183]	11-5/8 [295]		18 [8]

PREFIXES	DESCRIPTION	PIPE SIZE	LIST PRICE
Z193*	D.C.C.I. Body and Dome Cap	1-1/2", 2"	548.00
		3"	620.00
		4"	691.00
		5"	811.00
		6"	885.00

OUTLETS (SPECIFY PIPE SIZE IN INCHES AND TYPE OF OUTLET)				
OUTLET TYPE		OUTLET DESIGNATION (PIPE SIZE/OUTLET TYPE)	E BODY HT. DIM.	ADD
IC	Inside Caulk	1.5IC, 2IC	5-11/16"	N/C
		3IC, 4IC, 5IC, 6IC	5-9/16"	N/C
SUFFIXES				ADD
-G	Galvanized Cast Iron			213.00



BEST SELLERS	LIST PRICE
Z193-2IC	548.00
Z193-3IC	620.00
Z193-4IC	691.00

*Regularly furnished unless otherwise specified.

Items designated as Best Sellers are most specified and are generally in stock for shipment.

🕒 This symbol denotes a product that is engineered to reduce installation and rework time.

For additional product information, please visit www.zurn.com.

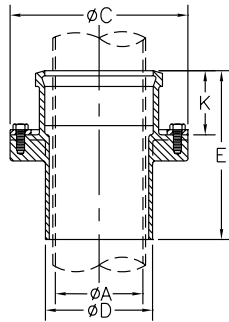
Z195 VENT STACK FLASHING SLEEVE



ENGINEERING SPECIFICATION

Zurn Z195 vent stack flashing sleeve features Dura-Coated cast iron body with fixed position combination membrane flashing flange and clamp.

Dimensions in inches [mm]				Approximate Weight lb [kg]
A	C	D	K	
2 [51]	6-1/2 [165]	3-1/8 [79]	3 [76]	11 [5]
3 [76]		4-1/4 [108]	3-1/8 [79]	13 [6]
4 [102]	8-1/2 [216]	5-1/4 [133]		18 [8]
5 [127]	9-1/2 [241]	6-1/2 [165]	2-1/2 [64]	20 [9]
6 [152]	10-1/2 [267]	7-1/2 [191]	3-1/8 [79]	26 [12]
8 [203]	14-1/2 [368]	9-3/4 [248]	2-3/4 [70]	52 [24]



PREFIXES	DESCRIPTION	PIPE SIZE	LIST PRICE	
Z195*	D.C.C.I. Body	2"	429.00	
		3", 4"	699.00	
		5", 6"	1,272.00	
		8"	1,480.00	
OUTLETS (SPECIFY PIPE SIZE IN INCHES AND TYPE OF OUTLET)				
OUTLET TYPE	OUTLET DESIGNATION (PIPE SIZE/OUTLET TYPE)	E BODY HT. DIM.	ADD	
IC	Inside Caulk	2IC	8"	N/C
		3IC, 4IC, 6IC	8-1/8"	N/C
		5IC	8-1/2"	N/C
		8IC	8-3/4"	N/C
SUFFIXES				
			ADD	
-CF	Bottom Clamping Flange	D.C.	2" thru 6"	178.00
			8"	332.00
		Galv.	2" thru 6"	249.00
			8"	453.00
-G	Galvanized Cast Iron			331.00

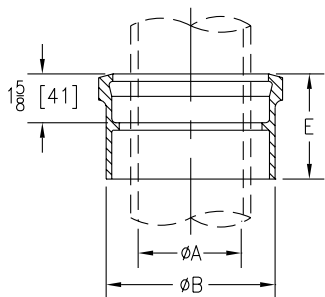
Z196 VENT STACK FLASHING SLEEVE



ENGINEERING SPECIFICATION

Zurn Z196 vent stack flashing sleeve features Dura-Coated cast iron body, inside caulk type.

Dimensions in inches [mm]		Approximate Weight lb [kg]
A	B	
1-1/2 [38]	3 [76]	2 [10]
2 [51]	3-1/2 [89]	3 [1]
3 [76]	4-3/4 [121]	4 [2]
4 [102]	5-5/8 [143]	
6 [152]	7-3/4 [197]	7 [3]



PREFIXES	DESCRIPTION	PIPE SIZE	LIST PRICE	
Z196*	D.C.C.I. Body	1-1/2", 2"	83.00	
		3"	272.00	
		4"	165.00	
		6"	418.00	
OUTLETS (SPECIFY PIPE SIZE IN INCHES AND TYPE OF OUTLET)				
OUTLET TYPE	OUTLET DESIGNATION (PIPE SIZE/OUTLET TYPE)	E BODY HT. DIM.	ADD	
IC	Inside Caulk	1.5C, 2IC, 3IC, 4IC, 6IC	3-1/2"	N/C
SUFFIXES				
			ADD	
-G	Galvanized Cast Iron		103.00	

Z197 RISER SLEEVE



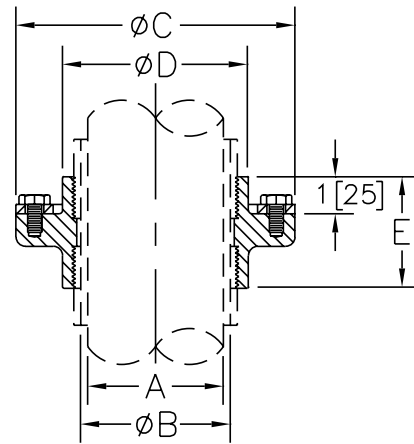
ENGINEERING SPECIFICATION

Zurn Z197 riser sleeve features Dura-Coated cast iron body, double threaded pipe connector with combination membrane flashing flange. (Pipe sleeve furnished by others.)

Dimensions in inches [mm]					Approximate Weight lb [kg]
A	B	C	D	E	
1-1/2 [38]	2-1/2 [64]	6-1/2 [165]	4 [102]	2-3/4 [70]	6 [3]
2 [51]	3 [76]				7 [3]
3 [76]	4 [102]				9 [4]
4 [102]	5 [127]	8-1/2 [216]	6 [152]	3-1/4 [83]	10 [5]
5 [127]	6 [152]	9-1/2 [241]	7-1/8 [181]	3-3/8 [86]	13 [6]
6 [152]	8 [203]	11-7/8 [302]	9-3/8 [238]	3-5/8 [92]	19 [9]

PREFIXES	DESCRIPTION	PIPE SIZE	LIST PRICE
Z197*	D.C.C.I. Body	1-1/2"	552.00
		2", 3"	581.00
		4"	807.00
		5"	822.00
		6"	1,166.00

OUTLETS (SPECIFY PIPE SIZE IN INCHES AND TYPE OF OUTLET)			
OUTLET TYPE		OUTLET DESIGNATION (PIPE SIZE/OUTLET TYPE)	ADD
IP	Threaded	1.5IP, 2IP, 3IP, 4IP, 5IP, 6IP	N/C
SUFFIXES			
			ADD
-G	Galvanized Cast Iron		310.00



Z198 PARAPET SCUPPER SLEEVE



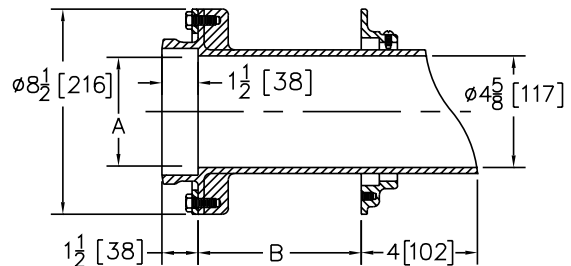
ENGINEERING SPECIFICATION

Zurn Z198 parapet scupper sleeve features Dura-Coated cast iron body with fixed position combination membrane flashing flange and clamp and parapet wall face closing.

Product Designation	Dimensions in inches [mm]		Approximate Weight lb [kg]
	A Pipe Size	B Wall Thickness	
-8	4 [102]	8-1/2 [216]	26 [12]
-11		11 [279]	29 [13]
-13		13-1/2 [343]	31 [14]
-17		17-1/2 [445]	35 [16]
-22		22-1/2 [572]	40 [18]

PREFIXES	DESCRIPTION	PRODUCT DESIGNATION	LIST PRICE
Z198*	D.C.C.I. Body	-8, -11	1,229.00
		-13	2,658.00
		-17	1,722.00
		-22	1,840.00

OUTLETS (SPECIFY PIPE SIZE IN INCHES AND TYPE OF OUTLET)			
OUTLET TYPE		OUTLET DESIGNATION (PIPE SIZE/OUTLET TYPE)	ADD
HB	Hub	4HB	N/C
SUFFIXES			
			ADD
-G	Galvanized Cast Iron		291.00



*Regularly furnished unless otherwise specified.

Items designated as Best Sellers are most specified and are generally in stock for shipment.

⌚ This symbol denotes a product that is engineered to reduce installation and rework time.

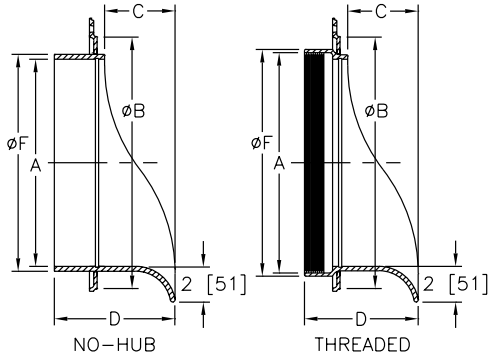
For additional product information, please visit www.zurn.com.

Z199 DOWNSPOUT NOZZLE



ENGINEERING SPECIFICATION

Zurn ZANB199 downspout nozzle features all nickel bronze body, optional threaded or no-hub inlet and decorative face of wall flange and outlet nozzle.



PREFIXES	DESCRIPTION	PIPE SIZE	LIST PRICE
ZANB199*	All Nickel Bronze Body	2", 3", 4"	1,338.00
		5", 6"	2,402.00
		8"	3,285.00
		10"	4,291.00
		12"	5,309.00
ZARB199	All Plain Bronze Body	2", 3", 4"	783.00
		5", 6"	1,850.00
		8"	2,800.00
		10"	3,635.00
		12"	4,572.00

OUTLETS (SPECIFY PIPE SIZE IN INCHES AND TYPE OF OUTLET)			
OUTLET TYPE		OUTLET DESIGNATION (PIPE SIZE/OUTLET TYPE)	ADD
IP	Threaded	2IP, 3IP, 4IP, 5IP, 6IP, 8IP, 10IP, 12IP	N/C
PVC	IP Threaded	2PVC, 3PVC, 4PVC, 5PVC, 6PVC, 8PVC, 10PVC, 12PVC	N/C
NH	No-Hub	2NH, 3NH, 4NH, 5NH, 6NH, 8NH, 10NH, 12NH	N/C
SUFFIXES			ADD
-SS	Removable Stainless Screen		686.00

Dimensions in inches [mm]							Approximate Weight lb [kg]
A	B	C	D		F		
			IP/PVC	NH	IP/PVC	NH	
2 [51]	4-1/2 [114]	2-5/8 [67]	4-1/2 [114]	4-1/2 [114]	2-13/16 [71]	2-3/8 [60]	5 [2]
3 [76]	5-1/2 [140]	2-5/8 [67]			3-15/16 [100]	3-3/8 [86]	6 [3]
4 [102]	6-5/8 [168]	2-43/64 [68]			4-15/16 [125]	4-3/8 [111]	7 [3]
5 [127]	7-5/8 [194]	3-1/16 [78]	4-59/64 [125]	5-15/32 [139]	6-1/16 [154]	5-5/16 [135]	12 [5]
6 [152]	8-5/8 [219]	3-3/32 [79]			7-1/8 [181]	6-5/16 [160]	13 [6]
8 [203]	10-5/8 [270]	2-31/32 [75]			5-25/32 [147]	8-3/8 [213]	14 [6]
10 [254]	12-5/8 [321]	3-1/2 [89]	5-53/64 [148]	6-5/16 [160]	11-5/32 [283]	10-9/16 [268]	15 [7]
12 [305]	14-5/8 [371]	4-5/64 [104]	6-13/32 [163]	6-57/64 [175]	13-5/32 [334]	12-1/2 [318]	18 [8]

BEST SELLERS	LIST PRICE
ZANB199-10IP	4,291.00
ZANB199-10NH	4,291.00
ZANB199-10-PVC	4,291.00
ZANB199-12NH	5,309.00
ZANB199-2IP	1,338.00
ZANB199-3IP	1,338.00
ZANB199-3NH-SS	2,024.00
ZANB199-3-PVC	1,338.00
ZANB199-4IP	1,338.00
ZANB199-4IP-SS	2,024.00
ZANB199-4NH-SS	2,024.00
ZANB199-4-PVC	1,338.00
ZANB199-6IP	2,402.00
ZANB199-6NH	2,402.00
ZANB199-6NH-SS	3,088.00
ZANB199-6-PVC	2,402.00
ZANB199-8IP	3,285.00

BEST SELLERS	LIST PRICE
ZANB199-8IP-SS	3,971.00
ZANB199-8NH	3,285.00
ZANB199-8-PVC	3,285.00
ZARB199-10NH	3,635.00
ZARB199-12NH-SS	5,258.00
ZARB199-12-PVC	4,572.00
ZARB199-2IP	783.00
ZARB199-3IP	783.00
ZARB199-3NH-SS	1,469.00
ZARB199-3-PVC	783.00
ZARB199-4IP	783.00
ZARB199-4IP-SS	1,469.00
ZARB199-4-PVC	783.00
ZARB199-4-PVC-SS	1,469.00
ZARB199-5IP	1,850.00
ZARB199-6IP	1,850.00
ZARB199-6-PVC	1,850.00

For additional product information, please visit www.zurn.com.

*Regularly furnished unless otherwise specified.

Items designated as Best Sellers are most specified and are generally in stock for shipment.

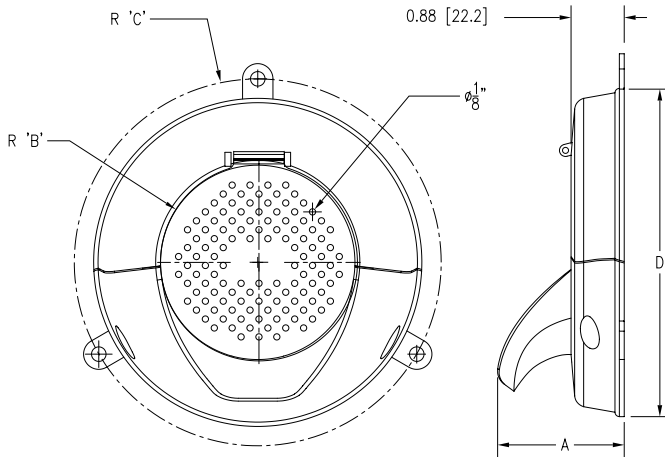
Ⓢ This symbol denotes a product that is engineered to reduce installation and rework time.

ZF199 CHAMELEON DOWNSPOUT NOZZLE WITH FLAPPER



ENGINEERING SPECIFICATION

Downspout nozzle, all aluminum body, downspout gasket for cast iron or PVC inlet with powder coated face of wall flange, outlet nozzle, and perforated hinged flapper.



PREFIXES	DESCRIPTION	PIPE SIZE	LIST PRICE
ZF199	All Aluminum Body*	2"	1,466.00
		3"	1,466.00
		4"	1,466.00
		6"	2,533.00
		8"	3,483.00
		10"	4,318.00

OUTLETS (SPECIFY PIPE SIZE IN INCHES AND TYPE OF OUTLET)			
OUTLET TYPE		OUTLET DESIGNATION (PIPE SIZE/OUTLET TYPE)	ADD
DSG	Downspout Gasket	2DSG, 3DSG, 4DSG, 6DSG, 8DSG, 10DSG	N/C
COLORS (MUST SPECIFY COLOR)			ADD
-BW	Bone White Powder Coating		N/C
-JB	Jet Black Powder Coating		N/C
-MB	Medium Bronze Powder Coating		N/C
-SAN	Sandstone Powder Coating		N/C
-SGR	Satin Gray Powder Coating		N/C

Pipe Size	Dimensions in inches [mm]				Approximate Weight lb [kg]
	A	B	C	D	
2 [51]	2.5 [6.4]	1 [2.5]	2.7 [69]	5.31 [135]	0.51 [0.23]
3 [76]	2.5 [6.4]	1.5 [38]	3.27 [83]	5.75 [146]	1.07 [0.49]
4 [102]	2.5 [6.4]	2 [51]	3.77 [96]	6.75 [171]	1.11 [0.50]
6 [152]	2.5 [6.4]	3 [76]	4.77 [121]	8.75 [222]	1.75 [0.79]
8 [203]	2.5 [6.4]	4 [102]	5.84 [148]	10.85 [275]	2.53 [1.15]
10 [254]	2.5 [6.4]	5 [127]	6.90 [175]	13.71 [348]	3.21 [1.46]

*Regularly furnished unless otherwise specified.

Items designated as Best Sellers are most specified and are generally in stock for shipment.

⌚ This symbol denotes a product that is engineered to reduce installation and rework time.

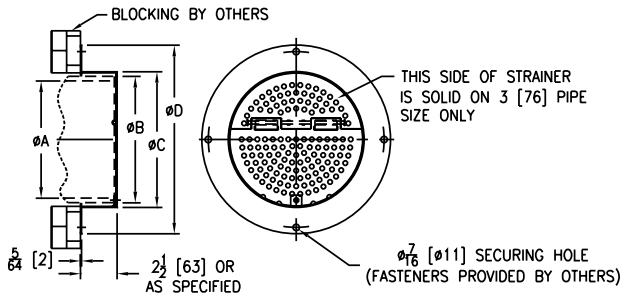
For additional product information, please visit www.zurn.com.

Z199-DC DOWNSPOUT COVER



ENGINEERING SPECIFICATION

Zurn ZS199-DC downspout cover features round fabricated stainless steel frame with fabricated, secured, perforated, stainless steel hinged strainer.



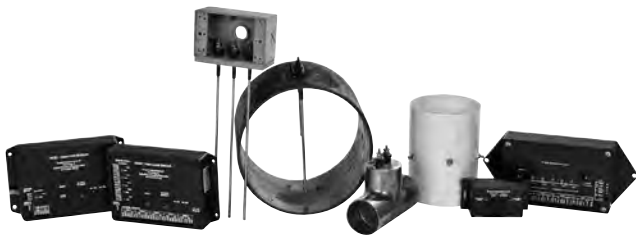
PREFIXES	DESCRIPTION	PIPE SIZE	LIST PRICE
ZS199-DC*	Type 304 Stainless Steel	3"	3,604.00
		4"	3,604.00
		6"	3,801.00
		8"	3,989.00
		10"	4,221.00
		12"	4,472.00
		15"	4,729.00

SUFFIXES	ADD		
-CP	Chrome Plated		638.00
-VP	Vandal Proof Secured Top		187.00
-5	5" Long Downspout Frame	3"	N/C
		4"	N/C
		6"	6,192.00
		8"	7,431.00
		10"	7,431.00
		12"	7,431.00
		15"	7,431.00

BEST SELLERS	LIST PRICE
ZS199-3-DC	3,604.00
ZS199-4-DC	3,604.00
ZS199-6-DC	3,801.00
ZS199-10-DC	4,221.00
ZS199-12-DC	4,472.00

Dimensions in inches [mm]				Strainer Open Area sq in [cm ²]
A	B	C	D	
3 [76]	3-1/2 [89]	4-1/4 [108]	7-7/8 [200]	1-1/2 [9.7]
4 [102]	4-1/2 [114]	5-5/32 [131]	8-3/4 [222]	3-5/16 [21]
6 [152]	6-5/8 [168]	7-1/4 [184]	10-7/8 [276]	5-1/2 [35]
8 [203]	8-5/8 [219]	9-1/4 [235]	12-7/8 [327]	10-5/16 [67]
10 [254]	10-3/4 [273]	11-3/8 [289]	15 [381]	17-13/16 [50]
12 [305]	12-3/4 [324]	13-3/8 [340]	17 [432]	27 [174]
15 [381]	15-7/8 [403]	16-1/2 [419]	20-1/8 [511]	43-5/16 [279]

ZF7000 FLOW SENSOR

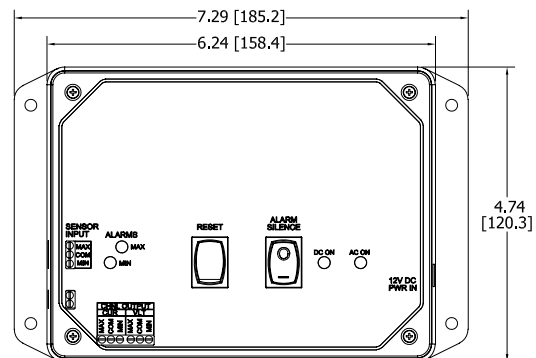
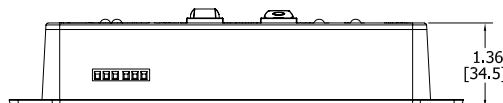


PREFIXES	DESCRIPTION	LIST PRICE
ZF7001	Single Channel Flow Sensor Control Module	1,926.00
ZF7005	5 Channel Flow Sensor Control Module	3,069.00
SUFFIXES	ADD	
-BMS	Building Management System for Flow Sensor(s)	4,827.00

Approximate Weight oz [g]
9.4 [265]

ENGINEERING SPECIFICATION

Froet™ flow sensor. Indication of a primary system blockage or excessive flow through the outlet pipe. Outputs are current or voltage that will provide for connection to building management systems or control valve actuators. Power is supplied to the unit from a 120 volt to 12 volt plug in transformer included with the sensor.



For additional product information, please visit www.zurn.com.

*Regularly furnished unless otherwise specified.

Items designated as Best Sellers are most specified and are generally in stock for shipment.

Ⓞ This symbol denotes a product that is engineered to reduce installation and rework time.

FLOOR DRAINS

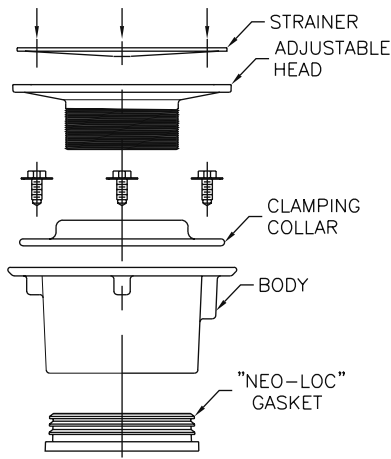
FLOOR DRAINS - GENERAL INFORMATION	61	⌚ Z415-SZ1 BODY ASSEMBLY W/ "TYPE S" STRAINER AND EZI™ TECHNOLOGY	81
FLOOR DRAINS - APPLICATION INDEX	61	⌚ Z415-BZ1-DP BODY ASSEMBLY W/ "TYPE B" STRAINER, DECK PLATE AND EZI™ TECHNOLOGY	82
CAST IRON EZI™ NOMENCLATURE DECODER	62	⌚ Z415-SZ1-DP BODY ASSEMBLY W/ "TYPE S" STRAINER, DECK PLATE AND EZI™ TECHNOLOGY	83
Z300 THOROFLUSH DRAIN	63	⌚ Z415B-DP BODY ASSEMBLY W/ "TYPE B" STRAINER AND DECK PLATE	84
Z310 THOROFLUSH DRAIN	63	⌚ Z415S-DP BODY ASSEMBLY W/ "TYPE S" STRAINER AND DECK PLATE	85
Z315 VANDAL-PROOF ACCESS DRAIN	64	Z415 BODY ASSEMBLY WITH HEEL-PROOF "TYPE B" STRAINER	86
Z319 THOROFLUSH DRAIN - LARGE CAPACITY	64	ZS415 BODY ASSEMBLY WITH "TYPE BS" STRAINER	87
Z320 REFRIGERATOR DRAIN	65	Z415 BODY ASSEMBLY WITH "TYPE BL" STRAINER	88
Z325 INDIRECT WASTE FUNNEL WITH INTEGRAL BACKWATER VALVE	65	Z415 BODY ASSEMBLY WITH "TYPE C" STRAINER	89
Z326 INDIRECT WASTE FUNNEL	66	Z415 BODY ASSEMBLY WITH "TYPE E" STRAINER	90
Z328 FUNNEL CONVERTING ASSEMBLY	66	Z415 BODY ASSEMBLY WITH "TYPE G" STRAINER	91
Z329 FUNNEL CONVERTING ASSEMBLY	67	Z415 BODY ASSEMBLY WITH "TYPE H" STRAINER	92
Z349 TERRACE PLANTING AREA DRAIN	68	Z415 BODY ASSEMBLY WITH "TYPE I" STRAINER	93
Z350 PLANTING AREA DRAIN	68	Z415 BODY ASSEMBLY WITH "TYPE J" HEEL-PROOF STRAINER	94
Z355 PRISON CELL FLOOR DRAIN	69	Z415 BODY ASSEMBLY WITH "TYPE K" STRAINER	95
Z400 "TYPE B" ROUND STRAINER WITH HEEL-PROOF SQUARE OPENINGS	69	Z415 BODY ASSEMBLY WITH "TYPE M" STRAINER AND SUR-SET BUCKET	96
ZS400 "TYPE BS" ROUND STRAINER WITH SLOTTED OPENINGS	70	Z415 BODY ASSEMBLY WITH "TYPE N" STRAINER	97
Z400 "TYPE BL" ROUND STRAINER WITH DEX-O-TEX FLANGE	70	Z415 BODY ASSEMBLY WITH "TYPE S" STRAINER	98
Z400 "TYPE C" ROUND HINGED STRAINER	71	ZS415 BODY ASSEMBLY WITH "TYPE SS" STRAINER	99
Z400 "TYPE E" ROUND STRAINER WITH INTEGRAL FUNNEL	71	Z415 BODY ASSEMBLY WITH "TYPE SC" STRAINER	100
Z400 "TYPE G" ROUND STRAINER WITH DOME	72	Z415 BODY ASSEMBLY WITH "TYPE SH" STRAINER	101
Z400 "TYPE H" ROUND STRAINER WITH CLAMP DEVICE	72	Z420 DEEP SHANK FLOOR AND SHOWER DRAIN FOR MARBLE AND GRANITE APPLICATIONS	102
Z400 "TYPE I" ROUND STRAINER WITH RAISED LIP	73	Z450 DRUM TRAP DRAIN WITH "TYPE B" STRAINER	103
Z400 "TYPE J" RECTANGULAR STRAINER WITH HEEL-PROOF SLOTTED OPENINGS	73	Z451 SHALLOW TRAP DRAIN WITH "TYPE B" STRAINER	104
Z400 "TYPE K" ANGULAR STRAINER	74	Z453 DEEP SEAL TRAP DRAIN WITH "TYPE B" STRAINER	105
Z400 "TYPE M" ROUND STRAINER WITH SLOTTED OPENINGS AND SUR-SET BUCKET	74	Z455 TRAP DRAIN WITH FLOOR CLEANOUT WITH "TYPE B" STRAINER	106
Z400 "TYPE N" ROUND STRAINER WITH DEEP FLANGED GRATE	75	Z456 DEEP SEAL TRAP DRAIN WITH FLOOR CLEANOUT AND CLAMP COLLAR WITH "TYPE B" STRAINER	107
Z400 "TYPE S" SQUARE STRAINER	75	Z460B SHALLOW BODY FLOOR DRAIN WITH SIDE OUTLET AND "TYPE B" STRAINER	108
ZS400 "TYPE SS" SQUARE STRAINER	76	Z461 6" SQUARE MODULAR NON-ADJUSTABLE FLOOR DRAIN WITH CLAMPING FRAME	109
Z400 "TYPE SC" SQUARE STRAINER WITH SOLID HINGED COVER	76	Z503 15" HEAVY-DUTY AREA DRAIN	109
Z400 "TYPE SH" SQUARE HINGED STRAINER	77	Z505 12" HEAVY-DUTY DRAIN	110
⌚ Z400-SR FLOOR DRAIN STABILIZER RING	78	Z507 7" MEDIUM-DUTY DRAIN	111
Z400-U ADJUSTABLE STRAINER EXTENSION	78	Z508 9" EXTRA-HEAVY-DUTY DRAIN	112
⌚ Z400-18 LEVELING RING	78	Z509 12-1/4" HEAVY-DUTY DRAIN	113
⌚ Z499B ROUND PROTECTIVE COVER FOR FLOOR DRAINS	79		
⌚ Z499S SQUARE PROTECTIVE COVER FOR FLOOR DRAINS	79		
⌚ Z415-BZ1 BODY ASSEMBLY W/ "TYPE B" STRAINER AND EZI™ TECHNOLOGY	80		

Z511 9" HEAVY-DUTY DRAIN	114	Z554 9" MEDIUM-DUTY DRAIN WITH SUR-SET BUCKET	131
Z512 12-1/4" HEAVY-DUTY DRAIN	115	Z556 8" ADJUSTABLE HEAVY-DUTY DRAIN	131
Z513 9" SQUARE HINGED HEAVY-DUTY DRAIN	116	Z566 12" SQUARE OPEN TOP DRAIN	132
Z520 9-1/4" ADJUSTABLE HEAVY-DUTY DRAIN	117	Z575 6" X 12" MEDIUM-DUTY GUTTER DRAIN	132
Z521 12-1/4" DIAMETER ADJUSTABLE HEAVY-DUTY DRAIN	118	Z609 9" SQUARE HEAVY-DUTY DRAIN	133
Z526 12-1/4" ADJUSTABLE HEAVY-DUTY DRAIN	119	Z610 12-1/2" HEAVY-DUTY DRAIN	134
Z530 9" MEDIUM-DUTY WIDE FLANGE DECK DRAIN	120	Z611 9" MEDIUM-DUTY DRAIN	135
Z531 9" ADJUSTABLE FRAME WIDE FLANGE MEDIUM-DUTY DECK DRAIN	120	Z624 ISOLATION DECK DRAIN	136
Z532 12-1/4" DIAMETER WIDE FLANGE HEAVY-DUTY FLOOR DRAIN	121	Z625 ADJUSTABLE ISOLATION DECK DRAIN	136
Z533 9" DIAMETER HEAVY-DUTY PARKING DECK DRAIN WITH SUPPORT FLANGE	121	Z627 HEAVY-DUTY ADJUSTABLE ISOLATION DECK DRAIN	137
Z534 12-1/4" DIAMETER HEAVY-DUTY PARKING DECK DRAIN WITH SUPPORT FLANGE	122	Z629 VERTICAL WALL DRAIN WITH BACKWATER VALVE	138
Z535 HEAVY-DUTY PARKING STRUCTURE DRAIN	122	Z645 12-1/2" X 12-1/2" HEAVY-DUTY DRAIN	139
Z536 15-3/8" DIAMETER HEAVY-DUTY PARKING DECK DRAIN WITH SUPPORT FLANGE	123	Z662 16" HEAVY-DUTY DRAIN	140
Z537 15-7/8" SQUARE TOP HEAVY-DUTY PARKING DECK DRAIN WITH SUPPORT FLANGE	124	Z662-HF 16" HEAVY-DUTY DRAIN WITH HIGH FLOW DUCTILE IRON GRATE	141
Z539 12-1/4" HEAVY-DUTY DRAIN WITH DEEP SUMP	124	Z664 6" WIDE HEAVY-DUTY MODULAR TRENCH DRAIN	142
Z540 12-1/4" MEDIUM-DUTY DRAIN WITH SUR-SET BUCKET	125	Z665 12" WIDE HEAVY-DUTY MODULAR TRENCH DRAIN	143
Z541 12-1/4" DIAMETER HEAVY-DUTY DRAIN	126	Z667 6" WIDE MEDIUM-DUTY MODULAR TRENCH DRAIN	144
Z545 16" DIAMETER HEAVY-DUTY DRAIN	127	Z668 11-1/4" X 19-1/4" HEAVY-DUTY DRAIN	144
Z546 21-1/2" DIAMETER EXTRA HEAVY-DUTY DRAIN	128	Z673 29" X 30" EXTRA HEAVY-DUTY DRAIN	145
Z547 21" DIAMETER EXTRA HEAVY-DUTY HEEL-PROOF PARKING DECK DRAIN WITH SUPPORT FLANGE	128	Z675 13-1/2" EXTRA HEAVY-DUTY DRAIN	146
Z550 9" DIAMETER MEDIUM-DUTY DRAIN	129	Z676 13-1/2" EXTRA HEAVY-DUTY DRAIN	146
Z551 9" DIAMETER MEDIUM-DUTY DRAIN	130	Z730 9" TOP MEDIUM-DUTY DRAIN	147
		Z742 LIGHT-DUTY TRAP DRAIN	148
		VP-DRIVER VANDAL-PROOF DRIVER	148

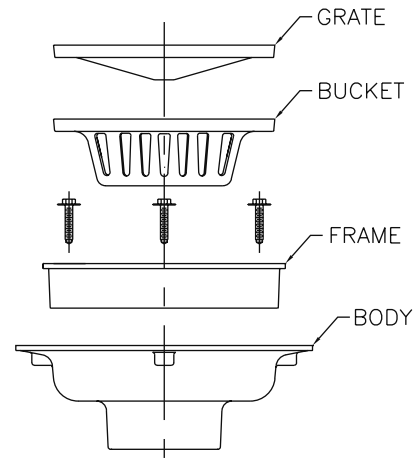
FLOOR DRAINS - GENERAL INFORMATION

Zurn floor drains are generally made up of a body, combination frame/clamp collar and top grate. The assemblies shown below illustrate the more common components utilized in floor drains.

Zurn floor drains are available in 2" through 10" outlet sizes (and 12" for specific drains and outlet type) with Inside Caulk, Threaded, No-Hub and Neo-Loc connections.



Z415 "Type B" Illustrated



Z541 Illustrated

FLOOR DRAINS - APPLICATION INDEX

The Zurn floor drains below are recommended for the applications listed. Most Zurn floor drains can be readily adapted for use in finished areas by using bronze or nickel bronze grates and strainers. (Use Prefix "ZB" or "ZN" preceding the product number in place of the usual "Z" Prefix.)

APPLICATION	RECOMMENDED FLOOR DRAIN
Automobile Parking Area	Z533, Z534, Z535, Z536, Z537, Z541, Z546, Z547, Z662, Z662-HF
Basement and Subterranean Areas	Z566, Z730
Boiler House and Maintenance Areas	Z541-90, Z546, Z645
Clinical, Surgical, Detention Areas	Z300, Z310, Z315, Z319, Z461
Entrances and Concourses	Z664, Z665, Z667
Finished Area/Gutter	Z460B, Z575
Finished Interior Floor Areas Adjustable	Z415-BZ1, Z415-SZ1, Z415-BZ1-DP, Z415-SZ1-DP, Z415B-DP, Z415S-DP, ZN415, ZS415, ZN450, Z451B, ZN453, ZN455, ZN456, Z460B, Z461
Finished Interior Floor Areas Adjustable with EZ1™ Technology (Post Pour Adjustment)	Z415-BZ1, Z415-SZ1, Z415-BZ1-DP, Z415-SZ1-DP
Food Preparation Areas	Z320, ZN610-SS (Also See Sani-Flor Receptors - Z1900 Series)
Garage, Hangar and Service Areas	Z546, Z664, Z665, Z667, Z673, Z675, Z676
Indirect Waste Area (Condensate and Drip)	Z325, Z326, Z328, Z329, Z566
Industrial Areas - Vertical Adjustment	Z520, Z521, Z526
Medium Duty	Z550, Z551, Z609, Z611, Z667, Z730
Heavy Duty	Z508, Z509, Z511, Z512, Z520, Z521, Z532, Z539, Z541, Z545, Z575
Extra Heavy Duty	Z546, Z503, Z512, Z541, Z610, Z645, Z662, Z664, Z668, Z673, Z675, Z676
Traps and Backwater Valves	Z730
Planting Area	Z349, Z350
Prison Cell (Multi-Purpose)	Z355
Roadways	Z546, Z610, Z668, Z673

*Regularly furnished unless otherwise specified.

Items designated as Best Sellers are most specified and are generally in stock for shipment.

🕒 This symbol denotes a product that is engineered to reduce installation and rework time.

For additional product information, please visit www.zurn.com

CAST IRON EZ1™ NOMENCLATURE DECODER

INTRO
ROOF DRAINS
FLOOR DRAINS
T, P, BW VALVES
INTERCEPTORS
CARRIERS
HYDRANTS
CLEANOUTS
WHA
SS DRAINS
SANI-FLOOR
TECH INFO

SHIM KIT

Shims built into the rough-in cover for tilt adjustment, screws included.

ROUGH-IN COVER

Designed to stand up to rigorous jobsites with 3,000 lb load rating.

PROTECTIVE LABEL

Keeps grate/cover finish intact until the job is complete.

COVER OPTIONS

- BZ1** = Round with Post-Pour Adjustability
- SZ1** = Square with Post-Pour Adjustability
- ZN** = Polished Nickel Bronze Top
- ZB** = Polished Bronze Top
- ZS** = Polished Stainless Steel Top

BODY OPTIONS

- IC** = Inside Caulk
- IG** = Inside Gasket
- IP** = Threaded
- NH** = No-Hub
- NL** = Neo-Loc

OUTLET SIZES

Available in outlet sizes ranging from 2" through 6"



A Whole Family of Product

- BZ1** = Round cast iron floor drain or cleanout
- SZ1** = Square cast iron floor drain or cleanout
- DP** = Stainless steel deck plate for a cast iron floor drain or cleanout

Model Number Example

[ZN][415]-[3][NH]-[5][S][Z1]-[DP]
ZN = Denotes cover material
415 or 1400 = Denotes floor drain or cleanout
3 = Denotes outlet size
NH = Denotes outlet type

- 5, 6, or 8** = Denotes cover size
- S** = Denotes round or square
- Z1** = Denotes post-pour adjustability
- DP** = Denotes deck plate

*Comes standard with nickel bronze unless otherwise noted.

Learn more at zurn.com/ez1

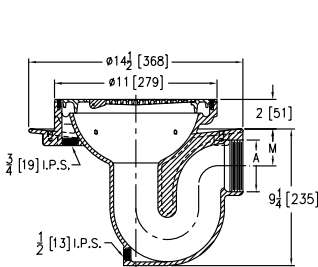
Z300 THOROFLUSH DRAIN



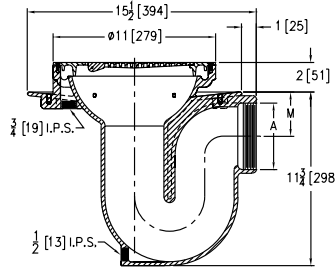
ENGINEERING SPECIFICATION

Zurn ZN300 11" top thoroflush drain with integral double wall trap features cast iron body with white acid resistant epoxy coated exterior and interior, side outlet with seepage pan, nickel bronze flushing rim top, and slotted hinged grate.

Dimensions in inches [mm]		Grate Open Area sq in [cm ²]	Approximate Weight lb [kg]
A Pipe Size	M		
2 [51]	3 [76]	18 [116]	50 [23]
3 [76]	2-1/2 [64]		
4 [102]	3 [76]		



2" and 3" Pipe Sizes



4" Pipe Size

PREFIXES	DESCRIPTION	A PIPE SIZE	LIST PRICE
ZN300*	Cast Iron Body with A.R.C. Interior and Exterior with Polished Nickel Bronze Top	2"	3,267.00
		3", 4"	3,391.00
ZB300	Cast Iron Body with A.R.C. Interior and Exterior with Polished Bronze Top	2"	3,078.00
		3", 4"	3,203.00

OUTLETS (SPECIFY PIPE SIZE IN INCHES AND TYPE OF OUTLET)			
OUTLET TYPE		PIPE SIZE/OUTLET TYPE	ADD
IP	Threaded	2IP, 3IP, 4IP	N/C
SUFFIXES			
			ADD
-C	Clamping Collar		243.00
-FG	Free Set Grate		364.00
-IG	Integral Grate		135.00
-SC	Solid Cover		923.00
-ST	Solid Hinged Top		923.00
-VP	Vandal-Proof Screws in Frame		N/C
-WB	Water Supply Control Box (See Z1464)		6,603.00
BEST SELLER			LIST PRICE
ZN300-3IP			3,267.00

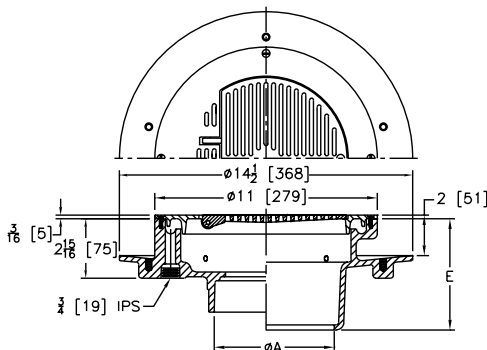
Z310 THOROFLUSH DRAIN



ENGINEERING SPECIFICATION

Zurn ZN310 11" top thoroflush drain features cast iron body with white acid resistant epoxy coated exterior and interior, bottom outlet with seepage pan, nickel bronze flushing rim top, and slotted hinged grate.

A Pipe Size inch [mm]	Grate Open Area sq in [cm ²]	Approximate Weight lb [kg]
2 [51], 3 [76], 4 [102]	18 [116]	20 [9]



PREFIXES	DESCRIPTION	A PIPE SIZE	LIST PRICE
ZN310*	Cast Iron Body with A.R.C. Interior and Exterior with Polished Nickel Bronze Top	2", 3", 4"	3,413.00
ZB310	Cast Iron Body with A.R.C. Interior and Exterior with Polished Bronze Top	2", 3", 4"	3,157.00

OUTLETS (SPECIFY PIPE SIZE IN INCHES AND TYPE OF OUTLET)				
OUTLET TYPE		PIPE SIZE/OUTLET TYPE	E BODY HT. DIM.	ADD
IP	Threaded	2IP, 3IP, 4IP	5-1/2"	102.00
NL	Neo-Loc	2NL, 3NL, 4NL	4-5/8"	N/C
SUFFIXES				ADD
-C	Clamping Collar			243.00
-FG	Free Set Grate			364.00
-IG	Integral Grate			135.00
-ST	Solid Hinged Top			923.00
-TC	Neo-Loc Test Cap Gasket (2", 3", 4" NL Bottom Outlet Only)			32.00
-VP	Vandal-Proof Screws in Frame			N/C
-WB	Water Supply Control Box (See Z1464)			6,603.00

*Regularly furnished unless otherwise specified.

Items designated as Best Sellers are most specified and are generally in stock for shipment.

⌚ This symbol denotes a product that is engineered to reduce installation and rework time.

For additional product information, please visit www.zurn.com

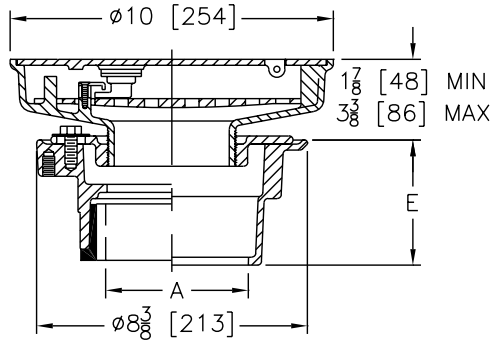
Z315 VANDAL-PROOF ACCESS DRAIN



ENGINEERING SPECIFICATION

Zurn ZN315 10" top vandal-proof drain features Dura-Coated cast iron body bottom outlet, invertible membrane clamp, vertically adjustable nickel bronze top with secondary strainer, and hinged solid locking cover.

A Pipe Size inch [mm]	Approximate Weight lb [kg]
2 [51]	23 [10]
3 [76]	24 [11]
4 [102]	25 [11]



PREFIXES	DESCRIPTION	A PIPE SIZE	LIST PRICE
ZN315*	D.C.C.I Body with Polished Nickel Bronze Top	2", 3", 4"	4,535.00

OUTLETS (SPECIFY PIPE SIZE IN INCHES AND TYPE OF OUTLET)

OUTLET TYPE	PIPE SIZE/ OUTLET TYPE	E BODY HT. DIM.	ADD	
NH	No-Hub	2NH, 3NH, 4NH	3-7/8"	N/C
NL	Neo-Loc	2NL, 3NL, 4NL	3-3/4"	N/C

SUFFIXES

SUFFIXES	ADD
-G	Galvanized Cast Iron 247.00
-HL	Hinged Locking Gate N/C
-P	Trap Primer Connection 187.00
-TC	Neo-Loc Test Cap Gasket (2", 3", 4" NL Bottom Outlet Only) 32.00

BEST SELLER	LIST PRICE
ZN315-3NL-P	4,722.00

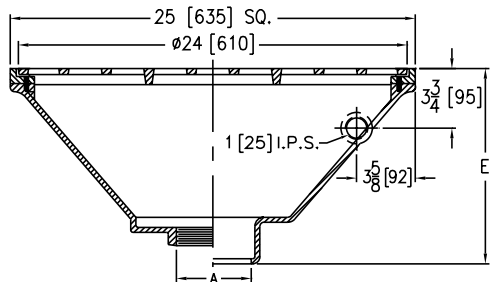
Z319 THOROFLUSH DRAIN - LARGE CAPACITY



ENGINEERING SPECIFICATION

Zurn ZN319 25" large capacity thoroflush drain features cast iron body with white acid resistant coating, bottom outlet, and nickel bronze top frame and grate with flushing connection.

A Pipe Size inch [mm]	Grate Open Area sq in [cm ²]	Approximate Weight lb [kg]
3 [76], 4 [102], 6 [152], 8 [203]	232 [1496]	118 [54]



PREFIXES	DESCRIPTION	A PIPE SIZE	LIST PRICE
ZN319*	Cast Iron Body with A.R.C. Polished Nickel Bronze Top	3", 4", 6", 8"	21,705.00

OUTLETS (SPECIFY PIPE SIZE IN INCHES AND TYPE OF OUTLET)

OUTLET TYPE	PIPE SIZE/ OUTLET TYPE	E BODY HT. DIM.	ADD	
IC	Inside Caulk	3IC, 4IC	12-1/8"	N/C
IG	Inside Gasket	3IG, 4IG	12-1/8"	N/C
IP	Threaded	3IP, 4IP, 6IP, 8IP	11"	102.00

SUFFIXES

SUFFIXES	ADD
-G	Galvanized Cast Iron 1,987.00
-P	Trap Primer Connection 187.00
-VP	Vandal-Proof Secured Top 258.00

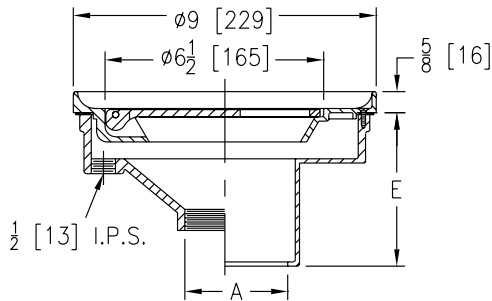
Z320 REFRIGERATOR DRAIN



ENGINEERING SPECIFICATION

Zurn ZN320 9" refrigerator drain features cast iron body with white acid resistant epoxy coated interior, nickel bronze flushing rim top, and recessed hinged grate.

A Pipe Size inch [mm]	Grate Open Area sq in [cm ²]	Approximate Weight lb [kg]
2 [51], 3 [76], 4 [102]	7-1/2 [48]	15 [7]



PREFIXES	DESCRIPTION	A PIPE SIZE	LIST PRICE
ZN320*	Cast Iron Body with A.R.C. Interior and Polished Nickel Bronze Top	2", 3", 4"	3,183.00

OUTLETS (SPECIFY PIPE SIZE IN INCHES AND TYPE OF OUTLET)				
OUTLET TYPE		PIPE SIZE/ OUTLET TYPE	E BODY HT. DIM.	ADD
IC	Inside Caulk	2IC, 3IC, 4IC	4-1/2"	N/C
IG	Inside Gasket	2IG, 3IG, 4IG	4-1/2"	N/C
IP	Threaded	2IP, 3IP, 4IP	3-7/16"	102.00
SUFFIXES				ADD
-G	Galvanized Cast Iron			481.00
-VP	Vandal-Proof Secured Top			75.00

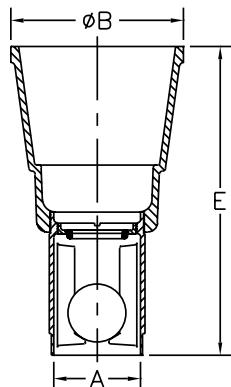
Z325 INDIRECT WASTE FUNNEL WITH INTEGRAL BACKWATER VALVE



ENGINEERING SPECIFICATION

Zurn Z325 7" or 9" diameter indirect waste funnel features Dura-Coated cast iron body, plastic ball float, bronze backwater valve bushing and replaceable neoprene seat.

Dimensions in inches [mm]		Approximate Weight lb [kg]
A Pipe Size	B	
2 [51]	6-3/4 [171]	13 [6]
3 [76]		16 [7]
4 [102]	8-5/8 [219]	20 [9]
6 [152]		37 [17]



PREFIXES	DESCRIPTION	A PIPE SIZE	LIST PRICE
Z325*	D.C.C.I. Body	2"	1,333.00
		3"	1,414.00
		4"	1,824.00
		6"	1,880.00

OUTLETS (SPECIFY PIPE SIZE IN INCHES AND TYPE OF OUTLET)				
OUTLET TYPE		PIPE SIZE/ OUTLET TYPE	E BODY HT. DIM.	ADD
NH	No-Hub	2NH, 3NH	12-3/4"	N/C
		4NH, 6NH	15-1/4"	N/C

SUFFIXES				ADD
-DB	Bottom Dome Strainer			75.00
-G	Galvanized Cast Iron			773.00
-S	Secondary Strainer			75.00

BEST SELLERS		LIST PRICE
Z325-3NH		1,414.00
Z325-4NH		1,824.00

*Regularly furnished unless otherwise specified.

Items designated as Best Sellers are most specified and are generally in stock for shipment.

⌚ This symbol denotes a product that is engineered to reduce installation and rework time.

For additional product information, please visit www.zurn.com

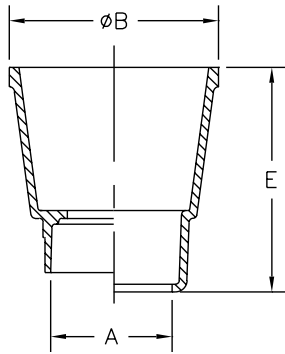
Z326 INDIRECT WASTE FUNNEL



ENGINEERING SPECIFICATION

Zurn Z326 7" or 9" diameter Indirect waste funnel features Dura-Coated cast iron body and bottom outlet.

Dimensions in inch [mm]		Approximate Weight lb [kg]
A Pipe Size	B	
2 [51]	6-3/4 [171]	8 [4]
3 [76]		8 [4]
4 [102]	8-5/8 [219]	31 [14]
6 [152]		26 [12]



PREFIXES	DESCRIPTION	A PIPE SIZE	LIST PRICE
Z326*	D.C.C.I. Body	2"	499.00
		3"	581.00
		4"	992.00
		6"	1,029.00
ZARB326	Plain Bronze Body	2"	1,170.00
		3"	1,231.00
		4"	2,603.00
		6"	3,504.00

OUTLETS (SPECIFY PIPE SIZE IN INCHES AND TYPE OF OUTLET)				
OUTLET TYPE		PIPE SIZE/OUTLET TYPE	E BODY HT. DIM.	ADD
IP	Threaded	2IP, 3IP	7-1/4"	102.00
		4IP, 6IP	9-7/8"	102.00
NL	Neo-Loc	2NL, 3NL	6-5/8"	N/C
		4NL	9"	N/C
SUFFIXES				ADD
-AR	Acid Resisting Epoxy Coated Cast Iron			391.00
-DB	Bottom Dome Strainer	Z		75.00
		ZARB		146.00
-G	Galvanized Cast Iron			447.00
BEST SELLER				LIST PRICE
Z326-4NL-DB				1,067.00

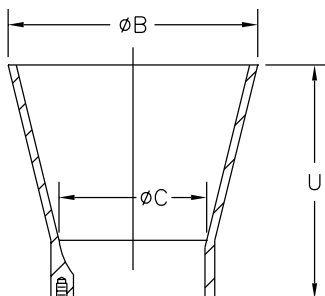
Z328 FUNNEL CONVERTING ASSEMBLY



ENGINEERING SPECIFICATION

Zurn Z328 4" or 6" (specify) diameter funnel converting assembly features Dura-Coated cast iron (or finish to suit drain top), along with necessary fasteners to secure funnel to strainer.

Product Designation	Dimensions in inches [mm]			Approximate Weight lb [kg]
	B	C	U	
-4	4 [102]	2-1/4 [57]	3-3/4 [95]	2 [1]
-6	6 [152]	2-7/8 [73]	6 [152]	5 [2]



PREFIXES	DESCRIPTION	PRODUCT DESIGNATION	LIST PRICE
Z328*	D.C.C.I. Funnel	-4	235.00
		-6	376.00
ZN328	Polished Nickel Bronze Funnel	-4	555.00
		-6	822.00
SUFFIXES			ADD
-AR	Acid Resisting Epoxy Coated Cast Iron		258.00
BEST SELLERS			LIST PRICE
Z328-4			235.00
ZN328-4			555.00
ZN328-6			822.00

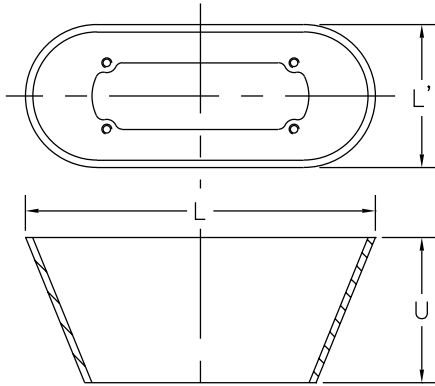
Z329 FUNNEL CONVERTING ASSEMBLY



ENGINEERING SPECIFICATION

Zurn Z329 7" or 9" (specify) oval funnel converting assembly features Dura-Coated cast iron (or finish to suit drain top), along with necessary fasteners to secure funnel to strainer. (Available on 7" diameter or larger size drain tops only.)

Product Designation	Dimensions in inches [mm]			Approximate Weight lb [kg]
	L	L'	U	
-7	6-3/4 [171]	3 [76]	1 [25]	2 [1]
-9	8-7/8 [225]	3-5/8 [92]	3-3/4 [95]	4 [2]



PREFIXES	DESCRIPTION	PRODUCT DESIGNATION	LIST PRICE
Z329*	D.C.C.I. Funnel	-7	235.00
		-9	555.00
ZN329	Polished Nickel Bronze Funnel	-7	555.00
		-9	1,147.00
SUFFIXES			ADD
-AR	Acid Resisting Epoxy Coated Cast Iron		258.00
BEST SELLERS			LIST PRICE
ZN329-7			555.00
ZN329-9			1,147.00

*Regularly furnished unless otherwise specified.

Items designated as Best Sellers are most specified and are generally in stock for shipment.

🕒 This symbol denotes a product that is engineered to reduce installation and rework time.

For additional product information, please visit www.zurn.com

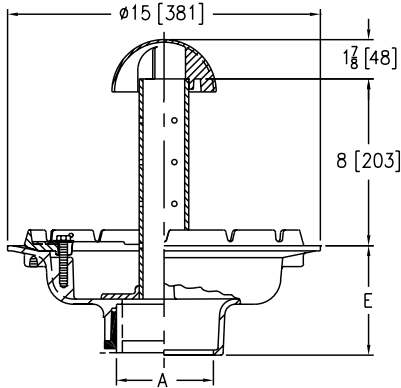
Z349 TERRACE PLANTING AREA DRAIN



ENGINEERING SPECIFICATION

Zurn Z349 terrace planting area drain features Dura-Coated cast iron body, 8" high perforated overflow standpipe with dome, and combination membrane flashing clamp/gravel guard.

A Pipe Size inch [mm]	Approximate Weight lb [kg]
2 [51], 3 [76], 4 [102]	40 [18]
5 [127], 6 [152]	42 [19]



PREFIXES	DESCRIPTION	A PIPE SIZE	LIST PRICE
Z349*	D.C.C.I. Body with Standpipe and Dome	2", 3", 4"	1,751.00
		6"	2,052.00
ZN349	D.C.C.I. Body, Clamp with Polished Nickel Bronze Standpipe and Dome	2", 3", 4"	3,391.00
		6"	3,685.00

OUTLETS (SPECIFY PIPE SIZE IN INCHES AND TYPE OF OUTLET)				
OUTLET TYPE		PIPE SIZE/OUTLET TYPE	E BODY HT. DIM.	ADD
NH	No-Hub	2NH, 3NH, 4NH, 6NH	5-1/4"	N/C
NL	Neo-Loc	2NL, 3NL, 4NL	4-9/16"	N/C
		6NL	5-7/16"	N/C
SUFFIXES				ADD
-C	Underdeck Clamp			304.00
-G	Galvanized Cast Iron			796.00
Ⓢ-SA	Stabilizer Assembly (See Z1036)			184.00
-SD	Longer Standpipe For Each Additional 1" over 8" (Specify Height)	Z		183.00
		ZN		284.00
-SS	Stainless Steel Mesh Screen over Standpipe			POA
BEST SELLER				LIST PRICE
Z349-3NL				1,751.00

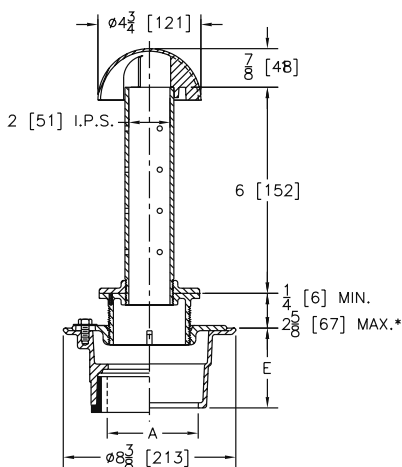
Z350 PLANTING AREA DRAIN



ENGINEERING SPECIFICATION

Zurn Z350 planting area drain features Dura-Coated cast iron body with bottom outlet and combination invertible membrane clamp, vertically adjustable nickel bronze head, floor flange, and 2" diameter perforated standpipe and dome.

A Pipe Size inches [mm]	Approximate Weight lb [kg]
2 [51], 3 [76], 4 [102]	22 [10]



PREFIXES	DESCRIPTION	A PIPE SIZE	LIST PRICE	
ZN350*	D.C.C.I. Body with Polished Stainless Steel Standpipe	2", 3", 4"	2,843.00	
ZB350	D.C.C.I. Body with Polished Brass Standpipe	2", 3", 4"	2,470.00	
OUTLETS (SPECIFY PIPE SIZE IN INCHES AND TYPE OF OUTLET)				
OUTLET TYPE		PIPE SIZE/OUTLET TYPE	E BODY HT. DIM.	ADD
IC	Inside Caulk	2IC, 3IC, 4IC	4-3/16"	N/C
IG	Inside Gasket	2IG, 3IG, 4IG	4-3/16"	N/C
IP	Threaded	2IP	2-7/16"	102.00
		3IP	2-3/4"	102.00
		4IP	2-3/16"	102.00
NH	No-Hub	2NH, 3NH, 4NH	3-13/16"	N/C
NL	Neo-Loc	2NL, 3NL, 4NL	3-7/8"	N/C
SUFFIXES				ADD
-C	Underdeck Clamp			187.00
-G	Galvanized Cast Iron			247.00
-P	Trap Primer Connection (Specify 1/2" or 3/4")			187.00
-SD	Longer Standpipe For Each Additional 1" over 6" (Specify Height)	ZB, ZN		123.00
-SS	Stainless Steel Mesh Screen over Dome			POA
				DEDUCT
-PS	Solid Standpipe			-429.00
BEST SELLERS				LIST PRICE
ZN350-2NH				2,843.00
ZB350-3NH				2,470.00
ZN350-3NH				2,843.00
ZN350-3NH-SS				POA
ZN350-3NL				2,843.00
ZN350-4NL				2,843.00

For additional product information, please visit www.zurn.com

*Regularly furnished unless otherwise specified.

Items designated as Best Sellers are most specified and are generally in stock for shipment.

Ⓢ This symbol denotes a product that is engineered to reduce installation and rework time.

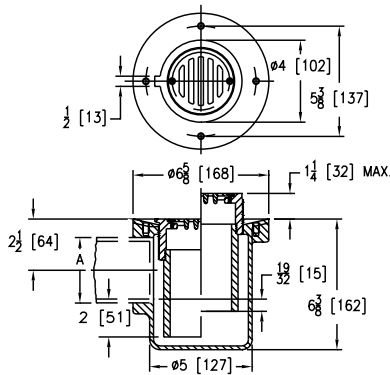
Z355 PRISON CELL FLOOR DRAIN



ENGINEERING SPECIFICATION

Zurn ZN355 prison cell floor drain features Dura-Coated cast iron body with side outlet, integral trap, anchor flange, and adjustable nickel bronze slotted strainer secured with spanner type vandal-proof screws.

A Pipe Size inches [mm]	Grate Open Area sq in [cm ²]	Approximate Weight lb [kg]
2 [51]	3-1/2 [23]	13 [6]
3 [76]		15 [7]



PREFIXES	DESCRIPTION	A PIPE SIZE	LIST PRICE	
ZN355*	D.C.C.I. Body with Polished Nickel Bronze Top	2"	1,320.00	
		3"	1,464.00	
OUTLETS (SPECIFY PIPE SIZE IN INCHES AND TYPE OF OUTLET)				
OUTLET TYPE	PIPE SIZE/OUTLET TYPE		ADD	
IP	Threaded		2IP, 3IP	N/C
SUFFIXES			ADD	
-G			Galvanized Cast Iron	231.00
BEST SELLER			LIST PRICE	
ZN355-3IP			1,464.00	

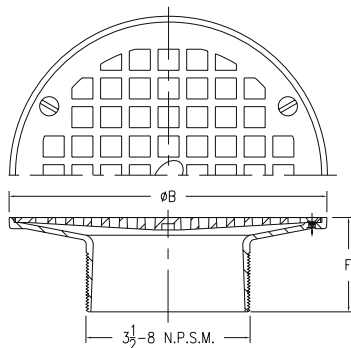
Z400 "TYPE B" ROUND STRAINER WITH HEEL-PROOF SQUARE OPENINGS



ENGINEERING SPECIFICATION

Zurn Z()400B "TYPE B" round adjustable light-duty strainer top includes square heel-proof openings and secured grate. (Specify ZB or ZN finish.)

Strainer Designation	Dimensions in inches [mm]		Open Area sq in [cm ²]	Approximate Weight lb [kg]
	Size B	Height F		
-5B	5 [127]	2 [51]	8 [52]	2 [1]
-6B	6 [152]	2-1/4 [57]	9 [58]	3 [1]
-7B	7 [178]	2-5/8 [67]	12 [77]	4 [2]
-8B	8 [203]		18 [116]	5 [2]
-10B	10 [254]	3 [76]	26 [168]	13 [6]



PREFIXES	DESCRIPTION	STRAINER DESIGNATION	LIST PRICE
ZN400*	Polished Nickel Bronze Top	-5B	386.00
		-6B	523.00
		-7B	642.00
		-8B	867.00
		-10B	1,275.00
ZB400	Polished Bronze Top	-5B	353.00
		-6B	451.00
		-7B	599.00
		-8B	807.00
		-10B	1,194.00
SUFFIXES			ADD
-CP	Chrome-Plated Bronze Top		35.00
⌚ -HD	Heavy-Duty Slotted Grate (ZN 5" & 6" only with 4" shank)		258.00
-OF	Oval Funnel (6", 7", 8", 10" Strainers Only) (See Z329-7)		555.00
⌚ -PC	Protective Cover		81.00
-SG	Solid Gasketed Cover (Will not function as a gas-tight cleanout cover.)		POA
-V	Backwater Valve (Not Available with -Y)		473.00
-VP	Vandal-Proof Secured Top		75.00
-Y	Sediment Bucket (Not Available with -V)		137.00
-4	4" Diameter Funnel (See Z328)		555.00
BEST SELLERS			LIST PRICE
ZB400-5B			353.00
ZB400-5B-CP			388.00
ZN400-5B			386.00
ZN400-5B-VP			461.00
ZB400-6B			451.00
ZN400-6B			523.00
ZN400-8B			867.00
ZN400-10B			1,275.00

*Regularly furnished unless otherwise specified.

Items designated as Best Sellers are most specified and are generally in stock for shipment.

⌚ This symbol denotes a product that is engineered to reduce installation and rework time.

For additional product information, please visit www.zurn.com

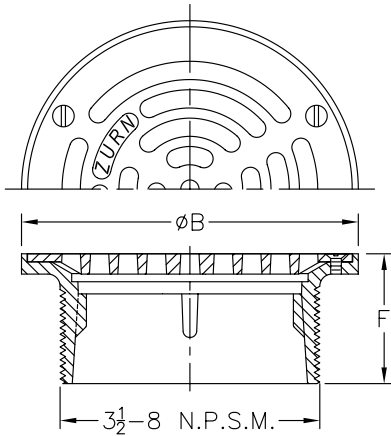
ZS400 "TYPE BS" ROUND STRAINER WITH SLOTTED OPENINGS



ENGINEERING SPECIFICATION

Zurn ZS400BS "TYPE BS" round adjustable medium-duty strainer top includes heel-proof slotted, secured grate.

Strainer Designation	Dimensions in inches [mm]		Open Area sq in [cm ²]	Approximate Weight lb [kg]
	Size B	Height F		
-5BS	5 [127]	2 [51]	7 [45]	1-1/2 [1/2]
-6BS	6 [152]	2-1/4 [57]	11 [71]	2-1/2 [1]
-7BS	7 [178]	2-5/8 [67]	15 [97]	3 [1]
-8BS	8 [203]		20 [129]	4-1/2 [2]
-10BS	10 [254]	3 [76]	26-1/2 [171]	8 [4]



PREFIXES	DESCRIPTION	STRAINER DESIGNATION	LIST PRICE
ZS400*	Type 304 (CF8) Stainless Steel Top	-5BS	1,115.00
		-6BS	1,453.00
		-7BS	1,950.00
		-8BS	2,051.00
		-10BS	2,498.00
ZM400	Type 316 (CF8M) Stainless Steel Top	-5BS	POA
		-6BS	POA
		-7BS	POA
		-8BS	POA
		-10BS	POA
SUFFIXES			ADD
-VP	Vandal-Proof Secured Top		75.00
-Y	Stainless Steel Sediment Bucket		137.00
BEST SELLERS			LIST PRICE
ZS400-5BS			1,115.00
ZS400-6BS			1,453.00
ZS400-8BS			2,051.00

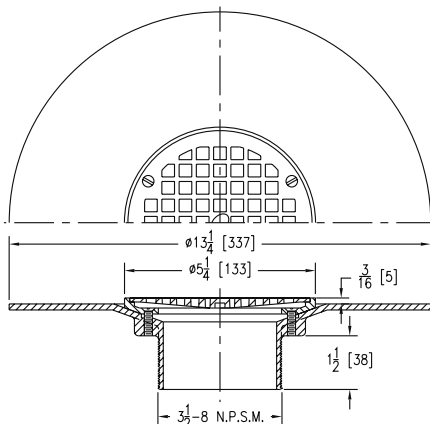
Z400 "TYPE BL" ROUND STRAINER WITH DEX-O-TEX FLANGE



ENGINEERING SPECIFICATION

Zurn Z()400BL "TYPE BL" round adjustable light-duty strainer features Dura-Coated cast iron 13" diameter latex membrane flange, nickel bronze or polished bronze frame, and secured grate. (Specify ZB or ZN finish.)

Strainer Designation	Top Size inch [mm]	Open Area sq in [cm ²]	Approximate Weight lb [kg]
-5BL	5 [127]	7 [45]	5 [2]



PREFIXES	DESCRIPTION	STRAINER DESIGNATION	LIST PRICE
ZN400*	Polished Nickel Bronze Top	-5BL	1,571.00
ZB400	Polished Bronze Top	-5BL	1,499.00
SUFFIXES			ADD
-CP	Chrome-Plated Bronze Top		35.00
-PC	Protective Cover		81.00
-VP	Vandal-Proof Secured Top		75.00
-Y	Sediment Bucket		137.00
BEST SELLER			LIST PRICE
ZN400-5BL			1,571.00

For additional product information, please visit www.zurn.com

*Regularly furnished unless otherwise specified.

Items designated as Best Sellers are most specified and are generally in stock for shipment.

Ⓢ This symbol denotes a product that is engineered to reduce installation and rework time.

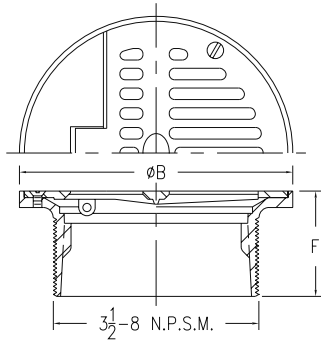
Z400 "TYPE C" ROUND HINGED STRAINER



ENGINEERING SPECIFICATION

Zurn Z()400C "TYPE C" round adjustable light-duty strainer top includes slotted heel-proof openings and hinged grate. (Specify ZB or ZN finish.)

Strainer Designation	Dimensions in inches [mm]		Open Area sq in [cm ²]	Approximate Weight lb [kg]
	Size B	Height F		
-5C	5 [127]	2 [51]	8 [52]	2 [1]
-6C	6 [152]	2-1/4 [57]	9 [58]	3 [1]
-7C	7 [178]	2-5/8 [67]	13 [84]	4 [2]
-8C	8 [203]		18 [116]	5 [2]



PREFIXES	DESCRIPTION	STRAINER DESIGNATION	LIST PRICE
ZN400*	Polished Nickel Bronze Top	-5C	737.00
		-6C	817.00
		-7C	1,006.00
		-8C	1,133.00
ZB400	Polished Bronze Top	-5C	691.00
		-6C	737.00
		-7C	961.00
		-8C	1,039.00
SUFFIXES			ADD
-CP	Chrome-Plated Bronze Top		35.00
-PC	Protective Cover		81.00
-V	Backwater Valve (Not Available with -Y)		473.00
-VP	Vandal-Proof Secured Top		75.00
-Y	Sediment Bucket (Not Available with -V)		137.00
BEST SELLER			LIST PRICE
ZN400-6C			817.00

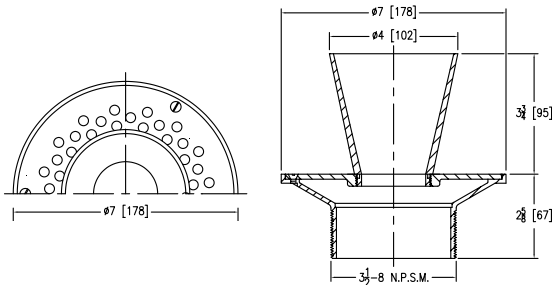
Z400 "TYPE E" ROUND STRAINER WITH INTEGRAL FUNNEL



ENGINEERING SPECIFICATION

Zurn Z()400E "TYPE E" round adjustable strainer top includes combination funnel/grate with perimeter openings. (Specify ZB or ZN finish.)

Strainer Designation	Top Size inch [mm]	Open Area sq in [cm ²]	Approximate Weight lb [kg]
-7E	7 [178]	5 [32]	10 [5]



PREFIXES	DESCRIPTION	STRAINER DESIGNATION	LIST PRICE
ZN400*	Polished Nickel Bronze Top	-7E	1,519.00
ZB400	Polished Bronze Top	-7E	1,379.00
SUFFIXES			ADD
-V	Backwater Valve (Not Available with -Y)		473.00
-VP	Vandal-Proof Secured Top		75.00
-Y	Sediment Bucket (Not Available with -V)		137.00
BEST SELLER			LIST PRICE
ZN400-7E			1,519.00

*Regularly furnished unless otherwise specified.

Items designated as Best Sellers are most specified and are generally in stock for shipment.

⌚ This symbol denotes a product that is engineered to reduce installation and rework time.

For additional product information, please visit www.zurn.com

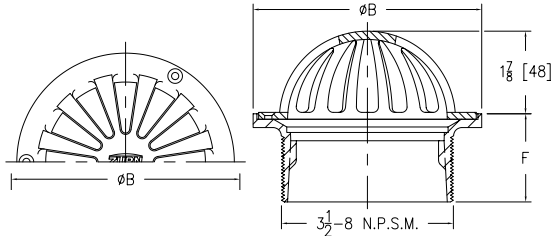
Z400 "TYPE G" ROUND STRAINER WITH DOME



ENGINEERING SPECIFICATION

Zurn Z()400G "TYPE G" round adjustable strainer top includes secured slotted dome strainer. (Specify ZB or ZN finish.)

Strainer Designation	Dimensions in inches [mm]		Open Area sq in [cm ²]	Approximate Weight lb [kg]
	Size B	Height F		
-5G	5 [127]	2 [51]	15 [97]	2 [1]
-6G	6 [152]	2-1/4 [57]		4 [2]



PREFIXES	DESCRIPTION	STRAINER DESIGNATION	LIST PRICE
ZN400*	Polished Nickel Bronze Top	-5G	642.00
		-6G	817.00
SUFFIXES			ADD
-SS	Stainless Mesh Screen Over Dome		656.00
-V	Backwater Valve (Not Available with -Y)		473.00
-VP	Vandal-Proof Secured Top		75.00
-Y	Sediment Bucket (Not Available with -V)		137.00
BEST SELLERS			LIST PRICE
ZN400-5G			642.00
ZN400-6G			817.00

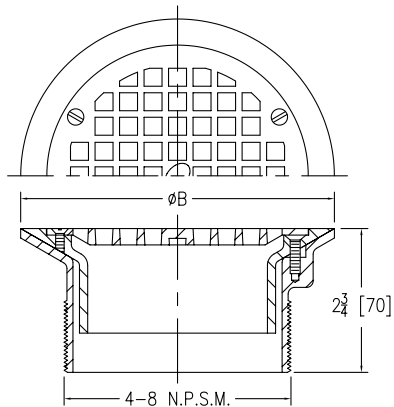
Z400 "TYPE H" ROUND STRAINER WITH CLAMP DEVICE



ENGINEERING SPECIFICATION

Zurn Z()400H "TYPE H" round adjustable light-duty strainer top includes integral clamping frame and secured heel-proof grate. (Specify ZB or ZN finish.)

Strainer Designation	B Top Size Inches [mm]	Open Area sq in [cm ²]	Approximate Weight lb [kg]
-6H	6 [152]	7 [45]	4 [2]
-9H	9 [229]	11 [71]	10 [5]



PREFIXES	DESCRIPTION	STRAINER DESIGNATION	LIST PRICE
ZN400*	Polished Nickel Bronze Top	-6H	1,824.00
		-9H	2,398.00
ZB400	Polished Bronze Top	-6H	1,620.00
		-9H	2,119.00
SUFFIXES			ADD
-VP	Vandal-Proof Secured Top		75.00
-Y	Sediment Bucket		137.00
BEST SELLER			LIST PRICE
ZN400-6H			1,824.00

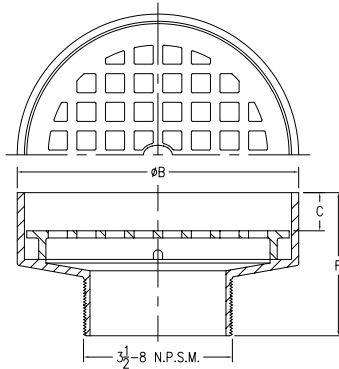
Z400 "TYPE I" ROUND STRAINER WITH RAISED LIP



ENGINEERING SPECIFICATION

Zurn Z()400I "TYPE I" round adjustable strainer top includes loose set recessed grate. (Specify ZB or ZN finish.)

Strainer Designation	Dimensions in inches [mm]			Open Area sq in [cm ²]	Approximate Weight lb [kg]
	Size B	C	Height F		
-5I	5-7/16 [138]	7/8 [22]	3 [76]	8 [52]	5 [2]
-7I	7-3/8 [187]	1 [25]	3-3/4 [95]	13 [84]	10 [5]
-9I	9 [229]	1/2 [13]	3-1/2 [89]	23 [148]	14 [6]



PREFIXES	DESCRIPTION	STRAINER DESIGNATION	LIST PRICE
ZN400*	Polished Nickel Bronze Top	-5I	1,106.00
		-7I	1,211.00
		-9I	1,799.00
ZB400	Polished Bronze Top	-5I	1,025.00
		-7I	1,090.00
		-9I	1,624.00

SUFFIXES	ADD
-TS	Top Secured with Slotted Screws 75.00
-V	Backwater Valve (Not Available with -Y) 473.00
-VP	Vandal-Proof Secured Top 147.00
-Y	Sediment Bucket (Not Available with -V) 137.00

BEST SELLERS	LIST PRICE
ZN400-5I	1,106.00
ZN400-7I	1,211.00

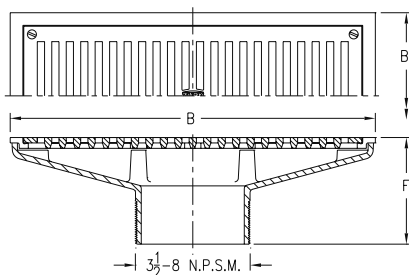
Z400 "TYPE J" RECTANGULAR STRAINER WITH HEEL-PROOF SLOTTED OPENINGS



ENGINEERING SPECIFICATION

Zurn Z()400J "TYPE J" rectangular adjustable light-duty heel-proof strainer top with Dura-Coated cast iron head, polished frame and secured slotted grate. (Specify ZB or ZN finish.)

Strainer Designation	Dimensions in inches [mm]		Open Area sq in [cm ²]	Approximate Weight lb [kg]
	Size B' x B	Height F		
-8J	4-1/2 [114] x 8 [203]	3 [76]	12 [77]	4 [2]
-9J	5 [127] x 9 [229]		15 [97]	5 [2]
-13J	5-1/2 [140] x 13 [330]	4-7/8 [124]	20 [129]	9 [4]
-17J	5 [127] x 17 [432]	3-1/2 [89]	29 [187]	14 [6]
-21J	5 [127] x 21 [533]		32 [206]	18 [8]
-20J	10 [254] x 20 [508]	3-5/8 [92]	66 [426]	34 [15]



PREFIXES	DESCRIPTION	STRAINER DESIGNATION	LIST PRICE
ZN400*	Polished Nickel Bronze Top	-8J	1,133.00
		-9J	2,154.00
		-13J	3,089.00
		-17J	1,749.00
		-21J	2,629.00
		-20J	10,093.00
ZB400	Polished Bronze Top	-8J	1,039.00
		-9J	1,039.00
		-13J	1,453.00
		-17J	2,990.00
		-21J	2,285.00
		-20J	4,275.00

SUFFIXES	ADD
-G	Galvanized Cast Iron 367.00
-V	Backwater Valve (Not Available with -Y) 473.00
-VP	Vandal-Proof Secured Top 75.00
-Y	Sediment Bucket (Not Available with -V) 137.00

*Regularly furnished unless otherwise specified.

Items designated as Best Sellers are most specified and are generally in stock for shipment.

⌚ This symbol denotes a product that is engineered to reduce installation and rework time.

For additional product information, please visit www.zurn.com

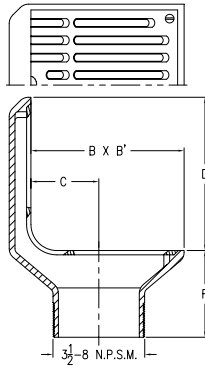
Z400 "TYPE K" ANGULAR STRAINER



ENGINEERING SPECIFICATION

Zurn Z()400K "TYPE K" angular adjustable light-duty strainer top includes secured flush type angle grate. (Specify ZB or ZN finish.)

Strainer Designation	Dimensions in inches [mm]				Open Area sq in [cm ²]	Approximate Weight lb [kg]
	Size B x B'	C	D	Height F		
-5K	3-3/4 [95] x 5 [127]	1-7/32 [31]	3-3/4 [95]	2-3/8 [60]	11 [71]	9 [4]
-7K	6-5/8 [168] x 7 [178]	2-15/46 [59]	6-5/8 [168]	3-3/4 [95]	29 [187]	16 [7]



PREFIXES	DESCRIPTION	STRAINER DESIGNATION	LIST PRICE
ZN400*	Polished Nickel Bronze Top	-5K	2,305.00
		-7K	2,948.00
ZB400	Polished Bronze Top	-5K	2,112.00
		-7K	2,702.00
SUFFIXES			ADD
-V	Backwater Valve (Not Available with -Y)		473.00
-VP	Vandal-Proof Secured Top		75.00
-Y	Sediment Bucket (Not Available with -V)		137.00

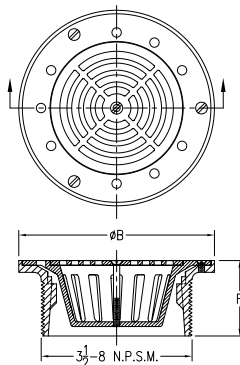
Z400 "TYPE M" ROUND STRAINER WITH SLOTTED OPENINGS AND SUR-SET BUCKET



ENGINEERING SPECIFICATION

Zurn Z()400M "TYPE M" round adjustable light-duty strainer top includes slotted heel-proof openings, secured grate, and Sur-Set bucket. (Specify ZB or ZN finish.)

Strainer Designation	Dimensions in inches [mm]		Open Area sq in [cm ²]	Approximate Weight lb [kg]
	Size B	Height F		
-5M	5 [127]	2 [51]	4-1/2 [29]	2 [1]



PREFIXES	DESCRIPTION	STRAINER DESIGNATION	LIST PRICE
ZN400*	Polished Nickel Bronze Top	-5M	1,017.00
		-5M	950.00
ZB400	Polished Bronze Top	-5M	950.00
		-5M	950.00
SUFFIXES			ADD
Ⓢ -PC	Protective Cover		81.00
-VP	Vandal-Proof Secured Top		75.00

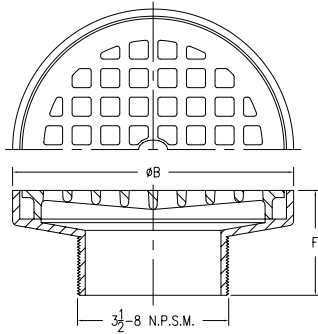
Z400 "TYPE N" ROUND STRAINER WITH DEEP FLANGED GRATE



ENGINEERING SPECIFICATION

Zurn Z()400N "TYPE N" round adjustable light-duty strainer top includes loose set deep flanged grate. (Specify Z, ZB or ZN finish.)

Strainer Designation	Dimensions in inches [mm]		Open Area sq in [cm ²]	Approximate Weight lb [kg]
	Size B	Height F		
-7N	7 [178]	2-3/4 [70]	12 [77]	8 [4]
-9N	9 [229]	3 [76]	23 [148]	12 [5]



PREFIXES	DESCRIPTION	STRAINER DESIGNATION	LIST PRICE
ZN400*	Polished Nickel Bronze Top	-7N	1,211.00
		-9N	1,777.00
Z400	Dura-Coated Cast Iron Top	-7N	459.00
		-9N	620.00
ZB400	Polished Bronze Top	-7N	1,090.00
		-9N	1,624.00

SUFFIXES	ADD	
-DG	Ductile Grate	7" 162.00
		9" 206.00
-G	Galvanized Cast Iron Top	367.00
-TS	Top Secured with Slotted Screws	75.00
-V	Backwater Valve (Not Available with -Y)	473.00
-VP	Vandal-Proof Secured Top	147.00
-Y	Sediment Bucket (Not Available with -V)	137.00

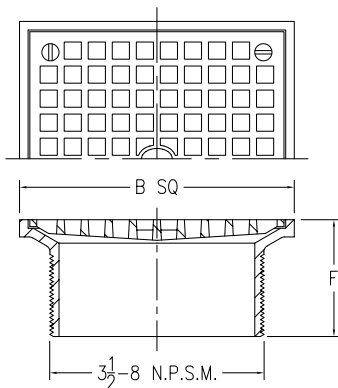
Z400 "TYPE S" SQUARE STRAINER



ENGINEERING SPECIFICATION

Zurn Z()400S "TYPE S" square adjustable light-duty strainer top includes secured heel-proof grate. (Specify ZB or ZN finish.)

Strainer Designation	Dimensions in inches [mm]		Open Area sq in [cm ²]	Approximate Weight lb [kg]
	Size B	Height F		
-5S	5 x 5 [127]	2-1/8 [54]	9 [58]	3 [1]
-6S	6 x 6 [152]	2-11/32 [60]	13 [84]	4 [2]
-7S	7 x 7 [178]		21 [135]	5 [2]
-8S	8 x 8 [203]	2-3/8 [60]	28 [181]	6 [3]
-10S	10 x 10 [254]			12 [5]



PREFIXES	DESCRIPTION	STRAINER DESIGNATION	LIST PRICE
ZN400*	Polished Nickel Bronze Top	-5S	595.00
		-6S	691.00
		-7S	881.00
		-8S	1,115.00
		-10S	1,918.00
ZB400	Polished Bronze Top	-5S	523.00
		-6S	642.00
		-7S	807.00
		-8S	991.00
		-10S	1,774.00

SUFFIXES	ADD	
-CP	Chrome-Plated Bronze Top	35.00
-HD	Heavy-Duty Slotted Grate (ZN 6" x 6" only with 4" shank)	258.00
-OF	Oval Funnel (6", 7", 8", 10" Strainers Only) (See Z329-7)	555.00
⌚ -PC	Protective Cover	81.00
-V	Backwater Valve (Not Available with -Y)	473.00
-VP	Vandal-Proof Secured Top	75.00
-Y	Sediment Bucket (Not Available with -V)	137.00
-4	4" Diameter Funnel (See Z328)	555.00

BEST SELLERS	LIST PRICE
ZB400-5S	523.00
ZN400-5S	595.00
ZB400-5S-CP	558.00
ZB400-6S	642.00
ZB400-6S-CP	677.00
ZN400-6S	691.00
ZN400-6S-HD	949.00
ZN400-6S-VP	766.00
ZB400-8S	991.00
ZN400-8S	1,115.00

*Regularly furnished unless otherwise specified.

Items designated as Best Sellers are most specified and are generally in stock for shipment.

⌚ This symbol denotes a product that is engineered to reduce installation and rework time.

For additional product information, please visit www.zurn.com

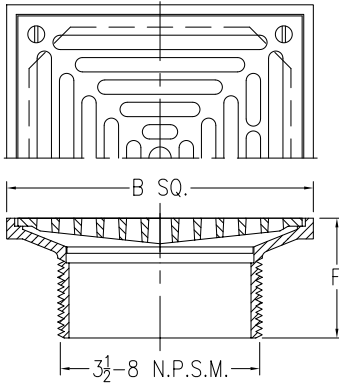
ZS400 "TYPE SS" SQUARE STRAINER



ENGINEERING SPECIFICATION

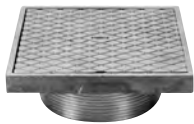
Zurn ZS400SS "TYPE SS" square adjustable strainer top includes heel-proof, medium-duty grate.

Strainer Designation	Dimensions in inches [mm]		Open Area sq in [cm ²]	Approximate Weight lb [kg]
	Size B	Height F		
-5SS	5 x 5 [127]	2 [51]	8-1/2 [55]	2-1/2 [1]
-6SS	6 x 6 [152]	2-1/4 [57]	13 [84]	3-1/2 [2]
-8SS	8 x 8 [203]		24-1/2 [158]	6-1/2 [3]



PREFIXES	DESCRIPTION	STRAINER DESIGNATION	LIST PRICE
ZS400*	Type 304 (CF8) Stainless Steel Top	-5SS	1,180.00
		-6SS	1,503.00
		-8SS	2,123.00
ZM400	Type 316 (CF8M) Stainless Steel Top	-5SS	POA
		-6SS	POA
		-8SS	POA
SUFFIXES			ADD
-VP	Vandal-Proof Secured Top		75.00
-Y	Stainless Steel Sediment Bucket		137.00
BEST SELLERS			LIST PRICE
ZS400-5SS			1,180.00
ZS400-6SS			1,503.00
ZS400-8SS			2,123.00

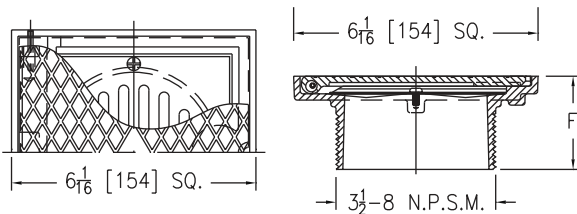
Z400 "TYPE SC" SQUARE STRAINER WITH SOLID HINGED COVER



ENGINEERING SPECIFICATION

Zurn Z()400SC "TYPE SC" square adjustable strainer top includes secondary strainer and solid, scoriated, hinged, light-duty cover. (Specify ZB or ZN finish).

Strainer Designation	Dimensions in inches [mm]		Approximate Weight lb [kg]
	Size B	Height F	
-6SC	6 [152]	2-15/16 [75]	7 [3]



PREFIXES	DESCRIPTION	STRAINER DESIGNATION	LIST PRICE
ZN400*	Polished Nickel Bronze Top	-6SC	1,375.00
ZB400	Polished Bronze Top	-6SC	1,170.00
SUFFIXES			ADD
-CP	Chrome-Plated		367.00
-GC	Gasketed Cover		107.00
-LR	Lift Ring		279.00
-TS	Top Secured with Slotted Screw		75.00
-VP	Vandal-Proof Secured Top		75.00
-Y	Sediment Bucket		137.00

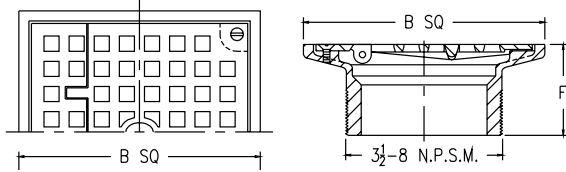
Z400 "TYPE SH" SQUARE HINGED STRAINER



ENGINEERING SPECIFICATION

Zurn Z()400SH "TYPE SH" square adjustable strainer top includes light-duty hinged grate. (Specify ZB or ZN finish.)

Strainer Designation	Dimensions in inches [mm]		Open Area sq in [cm ²]	Approximate Weight lb [kg]
	Size B	Height F		
-6SH	6 x 6 [152]	2-1/4 [57]	12 [77]	4 [2]
-8SH	8 x 8 [203]	3 [76]	21 [135]	8 [4]



PREFIXES	DESCRIPTION	STRAINER DESIGNATION	LIST PRICE
ZN400*	Polished Nickel Bronze Top	-6SH	1,046.00
		-8SH	1,465.00
ZB400	Polished Bronze Top	-6SH	1,003.00
		-8SH	1,344.00
SUFFIXES			ADD
-V	Backwater Valve (Not Available with -Y)		473.00
-VP	Vandal-Proof Secured Top		75.00
-Y	Sediment Bucket (Not Available with -V)		137.00
BEST SELLER			LIST PRICE
ZN400-6SH			1,046.00

*Regularly furnished unless otherwise specified.

Items designated as Best Sellers are most specified and are generally in stock for shipment.

🕒 This symbol denotes a product that is engineered to reduce installation and rework time.

For additional product information, please visit www.zurn.com

⌚ Z400-SR FLOOR DRAIN STABILIZER RING



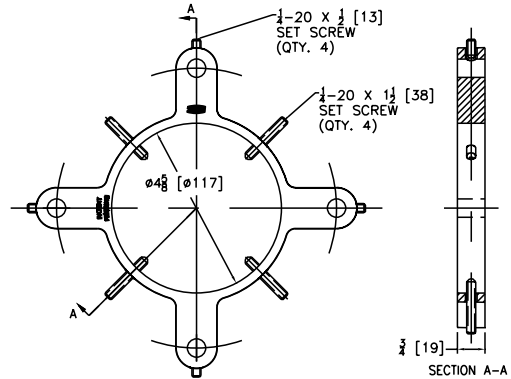
Patented

ENGINEERING SPECIFICATION

Zurn Z400-SR floor drain stabilizer ring features Dura-Coated cast iron ring with four 1/4"-20 x 1-1/2" securing screws, four 1/4"-20 x 1-1/2" securing screws, and four 3/8"-16 x 7" long threaded rods. Stabilizer ring is designed to accommodate 2", 3", and 4" pipe and used with 8-3/8" diameter (Z415) drain body.

A Pipe Size inches [mm]	Approximate Weight lb [kg]
2 [51], 3 [76], 4 [102]	3 [1]

PREFIXES	DESCRIPTION	A PIPE SIZE	LIST PRICE
Z400-SR*	Stabilizer Ring	2", 3", 4"	152.00



Z400-U ADJUSTABLE STRAINER EXTENSION

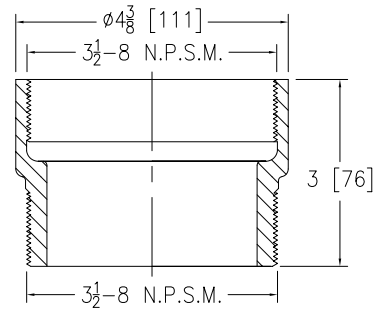


ENGINEERING SPECIFICATION

Zurn Z400-U "Type U" adjustable strainer extension is used as a drain extension, but also as a hub drain.

Product Designation	Size inch [mm]	Approximate Weight lb [kg]
-U	3-1/2 [89]	2 [1]

PREFIXES	DESCRIPTION	A PIPE SIZE	LIST PRICE
Z400-U*	D.C.C.I.	3-1/2"	176.00
ZN400-U	Cast Nickel Bronze Body	3-1/2"	328.00
BEST SELLER			LIST PRICE
Z400-U			176.00



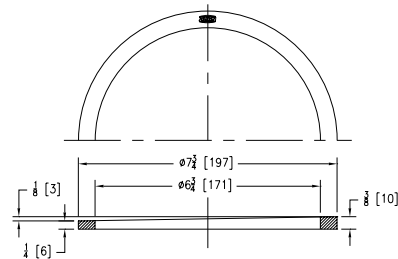
⌚ Z400-18 LEVELING RING



ENGINEERING SPECIFICATION

Zurn Z400-18 with Dura-Coated cast iron tapered ring can level Z415 clamp collar for 1/8" out-of-level conditions.

PREFIXES	DESCRIPTION	LIST PRICE
Z400-18*	Leveling Ring	48.00



🕒 Z499B ROUND PROTECTIVE COVER FOR FLOOR DRAINS

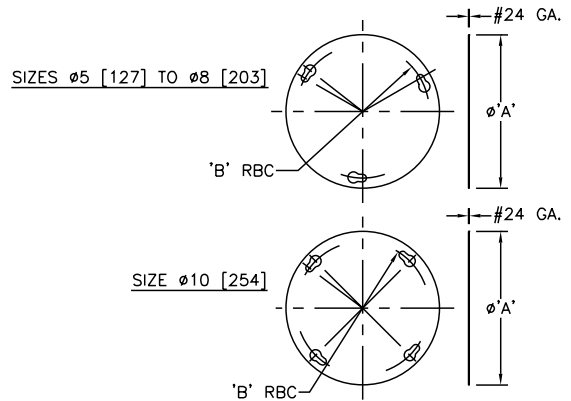


ENGINEERING SPECIFICATION

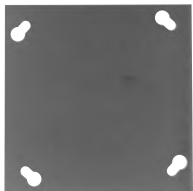
Zurn Z499B floor drain protective cover features galvanized carbon steel plate with slotted screw holes to allow rotational assembly and removal without disengaging the strainer screws. Designed for use with standard ZB and ZN400 'Type B' strainer assemblies.

Product Designation	No. of Screw Slots	Diameter A inch [mm]	B RBC inch [mm]
-5	3	5-3/16 [132]	2-1/4 [57]
-6		6-3/16 [157]	2-3/4 [70]
-7		7 [178]	3-1/8 [79]
-8		8 [203]	3-5/8 [92]
-10	4	9-5/8 [244]	4-1/8 [104]

PREFIXES	DESCRIPTION	PRODUCT DESIGNATION	LIST PRICE
Z499B*	Floor Drain Protective Cover	-5, -6, -7, -8, -10	86.00



🕒 Z499S SQUARE PROTECTIVE COVER FOR FLOOR DRAINS

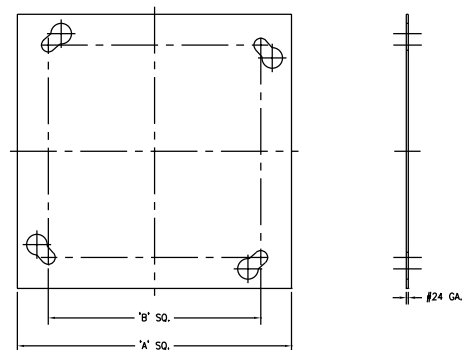


ENGINEERING SPECIFICATION

Zurn Z499S floor drain protective cover features galvanized carbon steel plate with slotted screw holes to allow rotational assembly and removal without disengaging the strainer screws. Designed for use with standard ZB and ZN400 'Type S' strainer assemblies.

Product Designation	No. of Screw Slots	Diameter A inch [mm]	B RBC inch [mm]
-5	4	5 [127]	3-7/8 [98]
-6		6 [152]	4-7/8 [124]
-7		7 [178]	6 [152]
-8		8 [203]	7-1/8 [181]
-9		9 [229]	
-10		10 [254]	

PREFIXES	DESCRIPTION	PRODUCT DESIGNATION	LIST PRICE
Z499S*	Floor Drain Protective Cover	-5, -6, -7, -8, -10	86.00



*Regularly furnished unless otherwise specified.

Items designated as Best Sellers are most specified and are generally in stock for shipment.

🕒 This symbol denotes a product that is engineered to reduce installation and rework time.

For additional product information, please visit www.zurn.com

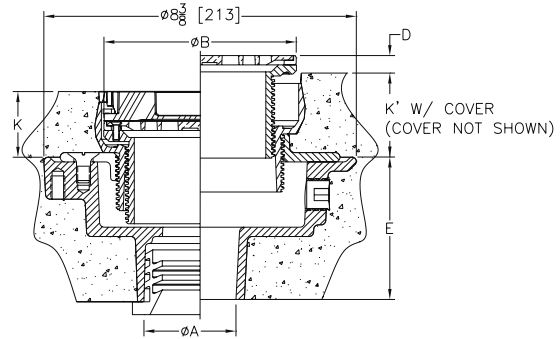
⌚ Z415-BZ1 BODY ASSEMBLY W/ "TYPE B" STRAINER AND EZ1™ TECHNOLOGY



Patent Pending

ENGINEERING SPECIFICATION

Zurn Z415-BZ1 floor and shower drain features Dura-coated cast iron body with bottom outlet, combination invertible membrane clamp and adjustable collar with seepage slots, and top assembly. EZ1 drainage series is engineered to simplify product installation, comprised of concrete shield, up to 1" [25] of vertical post pour adjustment, pre-packaged shims for tilt correction and integrated self-contained "Type B" light duty strainer with rough-in cover for protection during concrete pour.



NOTES

Minimum K dimension only with -LR option for 6" and 8"

Strainer Designation	Dimensions in inches								Strainer Open Area Sq. In [cm²]	Approximate Weight lb [kg]
	A Pipe Size	B Strainer Dia.	D		K		K'			
			Min.	Max.	Min.	Max.	Min.	Max.		
-5B	2-3 [51-76]	5 [127]	0	1 [25]	1-25/32 [45]	2-31/32 [75]	2-9/32 [58]	3-15/32 [88]	6-1/4 [40]	16 [7]
-6B	2-3-4 [51-76-102]	6 [152]	0	1 [25]	1-13/16 [46]	3 [76]	2-5/16 [59]	3-1/2 [89]	9 [58]	19 [9]
-8B	3-4 [76-102]	8 [203]	0	31/32 [25]	2-5/32 [55]	3-11/32 [85]	2-21/32 [67]	3-27/32 [98]	20 [129]	24 [11]
-8B	6 [152]	8 [203]	0	31/32 [25]	2-5/32 [55]	3-11/32 [85]	2-21/32 [67]	3-27/32 [98]	20 [129]	26 [12]

PREFIXES	DESCRIPTION	STRAINER DESIG.	PIPE SIZE	LIST PRICE
ZN415-BZ1*	D.C.C.I. Body Assembly with Polished Nickel Bronze Top	-5B	2", 3"	602.00
		-6B	2", 3", 4"	734.00
		-8B	3", 4" 6"	1,057.00 1,730.00
ZB415-BZ1	D.C.C.I. Body Assembly with Polished Bronze Top	-5B	2", 3"	572.00
		-6B	2", 3", 4"	664.00
		-8B	3", 4" 6"	1,001.00 1,676.00
ZS415-BZ1	D.C.C.I. Body Assembly with Stainless Steel Top	-5B	2", 3"	1,293.00
		-6B	2", 3", 4"	1,609.00
		-8B	3", 4" 6"	2,175.00 2,848.00

OUTLETS (SPECIFY PIPE SIZE IN INCHES AND TYPE OF OUTLET)				
OUTLET TYPE		PIPE SIZE/ OUTLET TYPE	E BODY HT. DIM.	ADD
IC	Inside Caulk	2IC, 3IC, 4IC	4-3/16"	N/C
IP	Threaded	2IP	2-7/16"	102.00
		3IP	2-3/4"	102.00
		4IP	2-13/16"	102.00
		6IP	2-7/8"	102.00
NH	No-Hub	2NH, 3NH, 4NH	3-13/16"	N/C
NL	Neo-Loc	2NL, 3NL, 4NL	3-7/8"	N/C

SUFFIXES		ADD	
⌚ -EF	3/4" Extension Frame	372.00	
-G	Galvanized Cast Iron	247.00	
-LR	Low Rough-In (For 6" & 8" Only)	N/C	
-P	Trap Primer Connection (Specify 1/2"*)	N/C	
⌚ -SA	Stabilizer Assembly (See Z1035)	174.00	
⌚ -SQ	Stabilizer Q-deck (See Z1035-Q)	230.00	
⌚ -SR	Stabilizer Ring (See Z400-SR)	152.00	
⌚ -TC	Neo-Loc Test Cap Gasket (2", 3", 4" NL Bottom Outlet Only)	32.00	
-TSP	Trap Seal Protection Device (Size Matches Drain Outlet Selected, See Z1072)	POA	
-U	2"-3-1/4" High Extension Adapter	D.C.	176.00
		Galv.	381.00
-UP	1-3/4" Pre-Pour Adjustment Extension Adapter	176.00	
-VP	Vandal-Proof Secured Top	75.00	
-Y	Sediment Bucket	137.00	

BEST SELLERS	LIST PRICE
ZN415-2NH-BZ1	602.00
ZN415-3NH-BZ1	602.00
ZN415-3NH-6BZ1	734.00

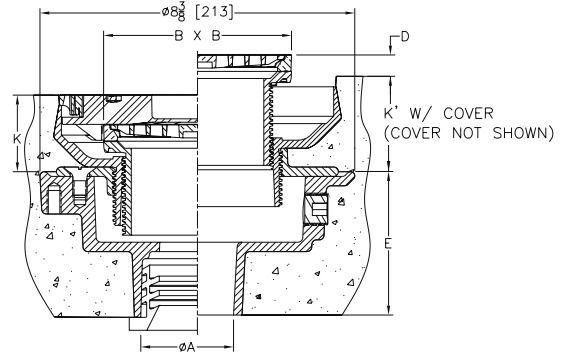
🕒 Z415-SZ1 BODY ASSEMBLY W/ "TYPE S" STRAINER AND EZ1™ TECHNOLOGY



Patent Pending

ENGINEERING SPECIFICATION

Zurn Z415-SZ1 floor and shower drain features Dura-coated cast iron body with bottom outlet, combination invertible membrane clamp, and adjustable collar with seepage slots and top assembly. EZ1 drainage series is engineered to simplify product installation, comprised of concrete shield, up to 1" [25] of vertical post pour adjustment, pre-packaged shims for tilt correction and integrated self-contained "Type S" nickel bronze light duty strainer with rough-in cover for protection during concrete pour.



NOTES

Minimum K dimension only with -LR option

Strainer Designation	Dimensions in inches								Strainer Open Area Sq. In [cm ²]	Approximate Weight lb [kg]
	A Pipe Size	BxB Strainer Top Size	D		K		K'			
			Min.	Max.	Min.	Max.	Min.	Max.		
-5S	2-3 [51-76]	5 X 5 [127 X 127]	0	1 [25]	2-1/16 [52]	3-1/4 [83]	2-9/16 [65]	3-3/4 [95]	9 [58]	19 [9]
-6S	2-3-4 [51-76-102]	6 X 6 [152 X 152]	0	1 [25]	2-1/8 [54]	3-5/16 [84]	2-5/8 [67]	3-13/16 [97]	13 [84]	22 [10]
-8S	3-4 [76-102]	8 X 8 [203 X 203]	0	15/16 [24]	2-1/2 [64]	3-11/16 [94]	3 [76]	4-3/16 [106]	27 [174]	27 [12]
-8S	6 [152]	8 X 8 [203 X 203]	0	15/16 [24]	2-1/2 [64]	3-11/16 [94]	3 [76]	4-3/16 [106]	27 [174]	28 [13]

PREFIXES	DESCRIPTION	STRAINER DESIG.	PIPE SIZE	LIST PRICE
ZN415-SZ1*	D.C.C.I. Body Assembly with Polished Nickel Bronze Top	-5S	2", 3"	732.00
		-6S	2", 3", 4"	816.00
		-8S	3", 4"	1,183.00
ZB415-SZ1	D.C.C.I. Body Assembly with Polished Bronze Top	-5S	2", 3"	672.00
		-6S	2", 3", 4"	772.00
		-8S	3", 4"	1,074.00
ZS415-SZ1	D.C.C.I. Body Assembly with Stainless Steel Top	-5S	2", 3"	1,238.00
		-6S	2", 3", 4"	1,517.00
		-8S	3", 4"	2,055.00

OUTLETS (SPECIFY PIPE SIZE IN INCHES AND TYPE OF OUTLET)				
OUTLET TYPE		PIPE SIZE/ OUTLET TYPE	E BODY HT. DIM.	ADD
IC	Inside Caulk	2IC, 3IC, 4IC	4-3/16"	N/C
IP	Threaded	2IP	2-7/16"	102.00
		3IP	2-3/4"	102.00
		4IP	2-13/16"	102.00
		6IP	2-7/8"	102.00
NH	No-Hub	2NH, 3NH, 4NH	3-13/16"	N/C
NL	Neo-Loc	2NL, 3NL, 4NL	3-7/8"	N/C

SUFFIXES		ADD	
🕒 -EF	3/4" Extension Frame	372.00	
-G	Galvanized Cast Iron	247.00	
-LR	Low Rough-In	N/C	
-P	Trap Primer Connection (Specify 1/2"*)	N/C	
🕒 -SA	Stabilizer Assembly (See Z1035)	174.00	
🕒 -SQ	Stabilizer Q-deck (See Z1035-Q)	230.00	
🕒 -SR	Stabilizer Ring (See Z400-SR)	152.00	
🕒 -TC	Neo-Loc Test Cap Gasket (2", 3", 4" NL Bottom Outlet Only)	32.00	
-TSP	Trap Seal Protection Device (Size Matches Drain Outlet Selected, See Z1072)	POA	
-U	2"-3-1/4" High Extension Adapter	D.C.	176.00
		Galv.	381.00
-UP	1-3/4" Pre-Pour Adjustment Extension Adapter	176.00	
-VP	Vandal-Proof Secured Top	75.00	
-Y	Sediment Bucket	137.00	

*Regularly furnished unless otherwise specified.

Items designated as Best Sellers are most specified and are generally in stock for shipment.

🕒 This symbol denotes a product that is engineered to reduce installation and rework time.

For additional product information, please visit www.zurn.com

INTRO
ROOF DRAINS
FLOOR DRAINS
T, P, BW VALVES
INTERCEPTORS
CARRIERS
HYDRANTS
CLEANOUTS
WHA
SS DRAINS
SANI-FLOOR
TECH INFO

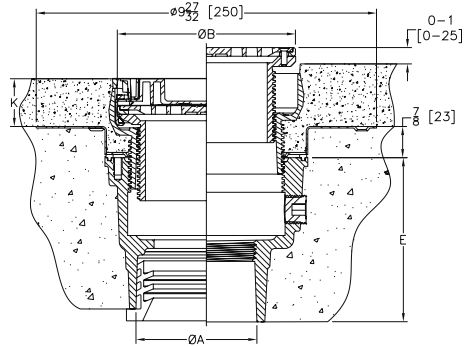
Ⓢ Z415-BZ1-DP BODY ASSEMBLY W/ "TYPE B" STRAINER, DECK PLATE AND EZ1™ TECHNOLOGY



Patent Pending

ENGINEERING SPECIFICATION

Zurn Z415-BZ1-DP floor and shower drain features Dura-Coated cast iron body with bottom outlet, stainless steel deck plate and top assembly. EZ1 drainage series is engineered to simplify product installation, comprised of concrete shield to provide up to 1" [25] of vertical post pour adjustment, pre-packaged shims for tilt correction, and integrated, self-contained "Type B" light duty strainer with rough-in cover for protection during concrete pour.



Strainer Designation	Dimensions in inches				Strainer Open Area Sq. In [cm ²]	Approximate Weight lb [kg]
	A Pipe Size	B Strainer Diameter	K			
			Min.	Max.		
-5B	2-3-4 [51-76-102]	5 [127]	29/32 [23]	1-13/16 [46]	6-1/4 [40]	14 [6]

PREFIXES	DESCRIPTION	STRAINER DESIG.	PIPE SIZE	LIST PRICE
ZN415-5BZ1-DP*	D.C.C.I. Body Assembly with Polished Nickel Bronze Top	-5B	2", 3", 4"	750.00
ZB415-5BZ1-DP	D.C.C.I. Body Assembly with Polished Bronze Top	-5B	2", 3", 4"	722.00
ZS415-5BZ1-DP	D.C.C.I. Body Assembly with Stainless Steel Top	-5B	2", 3", 4"	1,380.00

OUTLETS (SPECIFY PIPE SIZE IN INCHES AND TYPE OF OUTLET)				
OUTLET TYPE		PIPE SIZE/ OUTLET TYPE	E BODY HT. DIM.	ADD
NH	No-Hub	2NH, 3NH	4-3/4"	N/C
		4NH	4-3/8"	N/C
NL	Neo-Loc	2NL	5-1/4"	N/C
		3NL, 4NL	4-3/8"	N/C

SUFFIXES		ADD	
-AR	Acid Resisting Epoxy Coated Cast Iron	213.00	
-CC	Stainless Steel Clamp Collar	70.00	
Ⓢ -EF	3/4" Extension Frame	372.00	
-G	Galvanized Cast Iron	247.00	
-P	Trap Primer Connection (1/2"*)	N/C	
Ⓢ -TC	Neo-Loc Test Cap Gasket (2", 3", 4" NL Bottom Outlet Only)	32.00	
-TSP	Trap Seal Protection Device (Size Matches Drain Outlet Selected, Not Available in 4", See Z1072)	POA	
-U	2"-3-1/4" High Extension Adapter	D.C.	176.00
		Galv.	381.00
-UP	1-3/4" Pre-Pour Adjustment Extension Adapter	176.00	
-VP	Vandal-Proof Secured Top	75.00	
-Y	Sediment Bucket	137.00	

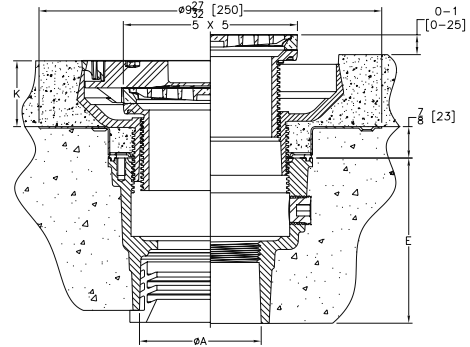
🕒 Z415-SZ1-DP BODY ASSEMBLY W/ "TYPE S" STRAINER, DECK PLATE AND EZ1™ TECHNOLOGY



Patent Pending

ENGINEERING SPECIFICATION

Zurn Z415-SZ1-DP floor and shower drain features Dura-Coated cast iron body with bottom outlet, stainless steel deck plate, and top assembly. EZ1 drainage series is engineered to simplify product installation, comprised of concrete shield to provide up to 1" [25] of vertical post pour adjustment, pre-packaged shims for tilt correction, and integrated, self-contained "Type S" light duty strainer with rough-in cover for protection during concrete pour.



Strainer Designation	Dimensions in inches				Strainer Open Area Sq. In [cm ²]	Approximate Weight lb [kg]
	A Pipe Size	BxB Strainer Top Size	K			
			Min.	Max.		
-5S	2-3-4 [51-76-102]	5 X 5 [127 X127]	1-15/16 [49]	2-3/32 [53]	9 [58]	16 [7]

PREFIXES	DESCRIPTION	STRAINER DESIG.	PIPE SIZE	LIST PRICE
ZN415-5SZ1-DP*	D.C.C.I. Body Assembly with Polished Nickel Bronze Top	-5S	2", 3", 4"	963.00
ZB415-5SZ1-DP	D.C.C.I. Body Assembly with Polished Bronze Top	-5S	2", 3", 4"	958.00
ZS415-5SZ1-DP	D.C.C.I. Body Assembly with Stainless Steel Top	-5S	2", 3", 4"	1,658.00

OUTLETS (SPECIFY PIPE SIZE IN INCHES AND TYPE OF OUTLET)				
OUTLET TYPE		PIPE SIZE/ OUTLET TYPE	E BODY HT. DIM.	ADD
NH	No-Hub	2NH, 3NH	4-3/4"	N/C
		4NH	4-3/8"	N/C
NL	Neo-Loc	2NL	5-1/4"	N/C
		3NL, 4NL	4-3/8"	N/C

SUFFIXES		ADD	
-AR	Acid Resisting Epoxy Coated Cast Iron	213.00	
🕒 -CC	Stainless Steel Clamp Collar	70.00	
-EF	3/4" Extension Frame	372.00	
-G	Galvanized Cast Iron	247.00	
-P	Trap Primer Connection (1/2"*)	N/C	
🕒 -TC	Neo-Loc Test Cap Gasket (2", 3", 4" NL Bottom Outlet Only)	32.00	
-TSP	Trap Seal Protection Device (Size Matches Drain Outlet Selected, Not Available in 4", See Z1072)	POA	
-U	2"-3-1/4" High Extension Adapter	D.C.	176.00
		Galv.	381.00
-UP	1-3/4" Pre-Pour Adjustment Extension Adapter	176.00	
-VP	Vandal-Proof Secured Top	75.00	
-Y	Sediment Bucket	137.00	

*Regularly furnished unless otherwise specified.

Items designated as Best Sellers are most specified and are generally in stock for shipment.

🕒 This symbol denotes a product that is engineered to reduce installation and rework time.

For additional product information, please visit www.zurn.com

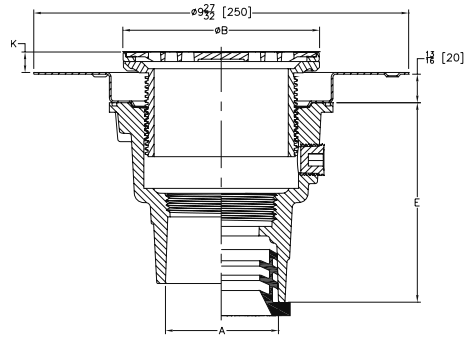
Z415B-DP BODY ASSEMBLY W/ "TYPE B" STRAINER AND DECK PLATE



Patent Pending

ENGINEERING SPECIFICATION

Zurn Z415B-DP floor and shower drain features Dura-Coated cast iron body with bottom outlet, stainless steel deck plate, and "Type B" polished nickel bronze light duty top assembly.



Strainer Designation	Dimensions in inches				Strainer Open Area Sq. In [cm ²]	Approximate Weight lb [kg]
	A Pipe Size	B Strainer Diameter	K			
			Min.	Max.		
-5B	2-3-4 [51-76-102]	5 [127]	0	1-7/16 [37]	6-1/4 [40]	11 [5]

PREFIXES	DESCRIPTION	STRAINER DESIG.	PIPE SIZE	LIST PRICE
ZN415-B-DP*	D.C.C.I. Body Assembly with Polished Nickel Bronze Top	-5B	2", 3", 4"	793.00
ZB415-B-DP	D.C.C.I. Body Assembly with Polished Bronze Top	-5B	2", 3", 4"	763.00
ZS415-B-DP	D.C.C.I. Body Assembly with Stainless Steel Top	-5B	2", 3", 4"	1,460.00

OUTLETS (SPECIFY PIPE SIZE IN INCHES AND TYPE OF OUTLET)				
OUTLET TYPE		PIPE SIZE/ OUTLET TYPE	E BODY HT. DIM.	ADD
NH	No-Hub	2NH	4-7/8"	N/C
		3NH	4-3/4"	N/C
		4NH	4"	N/C
NL	Neo-Loc	2NL	5-1/4"	N/C
		3NL	4-3/8"	N/C
		4NL	4-3/8"	N/C

SUFFIXES		ADD	
-AR	Acid Resisting Epoxy Coated Cast Iron	213.00	
-CC	Stainless Steel Clamp Collar	70.00	
Ⓢ -EF	3/4" Extension Frame	372.00	
-FI	Floor Insert	75.00	
-G	Galvanized Cast Iron	247.00	
-P	Trap Primer Connection (1/2"*)	NC	
Ⓢ -TC	Neo-Loc Test Cap Gasket (2", 3", 4" NL Bottom Outlet Only)	32.00	
-U	2"-3-1/4" High Extension Adapter	D.C.	176.00
		Galv.	381.00
-VP	Vandal-Proof Secured Top	75.00	
-Y	Sediment Bucket	137.00	

For additional product information, please visit www.zurn.com

*Regularly furnished unless otherwise specified.

Items designated as Best Sellers are most specified and are generally in stock for shipment.

Ⓢ This symbol denotes a product that is engineered to reduce installation and rework time.

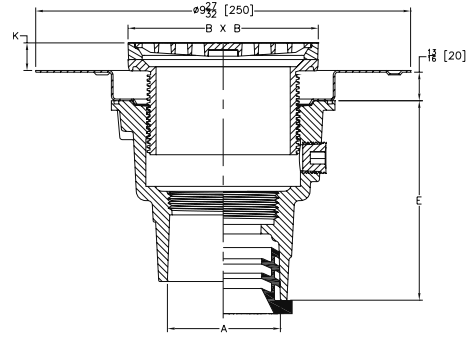
🕒 Z415S-DP BODY ASSEMBLY W/ "TYPE S" STRAINER AND DECK PLATE



Patent Pending

ENGINEERING SPECIFICATION

Zurn Z415S-DP floor and shower drain, Dura-Coated cast iron body with bottom outlet, stainless steel deck plate, and "Type S" polished nickel bronze light duty top assembly.



Strainer Designation	Dimensions in inches				Strainer Open Area Sq. In [cm ²]	Approximate Weight lb [kg]
	A Pipe Size	BxB Strainer Top Size	K			
			Min.	Max.		
-5S	2-3-4 [51-76-102]	5 X 5 [127 X 127]	7/16 [11]	1-7/16 [37]	9 [58]	12 [5]

PREFIXES	DESCRIPTION	STRAINER DESIG.	PIPE SIZE	LIST PRICE
ZN415-S-DP*	D.C.C.I. Body Assembly with Polished Nickel Bronze Top	-5S	2", 3", 4"	963.00
ZB415-S-DP	D.C.C.I. Body Assembly with Polished Bronze Top	-5S	2", 3", 4"	958.00
ZS415-S-DP	D.C.C.I. Body Assembly with Stainless Steel Top	-5S	2", 3", 4"	1,658.00

OUTLETS (SPECIFY PIPE SIZE IN INCHES AND TYPE OF OUTLET)				
OUTLET TYPE		PIPE SIZE/ OUTLET TYPE	E BODY HT. DIM.	ADD
NH	No-Hub	2NH	4-7/8"	N/C
		3NH	4-3/4"	N/C
		4NH	4"	N/C
NL	Neo-Loc	2NL	5-1/4"	N/C
		3NL	4-3/8"	N/C
		4NL	4-3/8"	N/C

SUFFIXES		ADD	
-AR	Acid Resisting Epoxy Coated Cast Iron	213.00	
-CC	Stainless Steel Clamp Collar	70.00	
🕒 -EF	3/4" Extension Frame	372.00	
-G	Galvanized Cast Iron	247.00	
-P	Trap Primer Connection (1/2"*)	N/C	
🕒 -TC	Neo-Loc Test Cap Gasket (2", 3", 4" NL Bottom Outlet Only)	32.00	
-U	2"-3-1/4" High Extension Adapter	D.C.	176.00
		Galv.	381.00
-VP	Vandal-Proof Secured Top	75.00	
-Y	Sediment Bucket	137.00	

*Regularly furnished unless otherwise specified.

Items designated as Best Sellers are most specified and are generally in stock for shipment.

🕒 This symbol denotes a product that is engineered to reduce installation and rework time.

For additional product information, please visit www.zurn.com

Z415 BODY ASSEMBLY WITH HEEL-PROOF "TYPE B" STRAINER

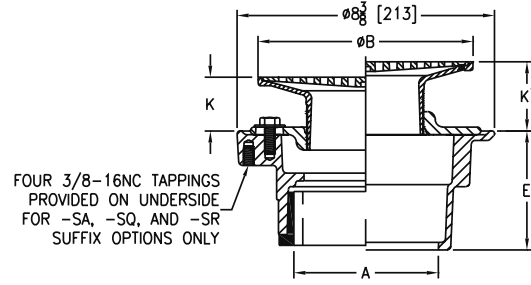


ENGINEERING SPECIFICATION

Zurn ZN415B floor and shower drain features Dura-Coated cast iron body with bottom outlet, combination invertible membrane clamp and adjustable collar with seepage holes, and "TYPE B" polished nickel bronze, light-duty strainer.

NOTES

For other available strainer variations see Z400 Strainer Series. Add price for required strainer to "BODY ONLY" price in chart. Specify type and size required.



Strainer Designation	Dimensions in inches [mm]						Str. Open Area sq in [cm ²]	Approximate Weight lb [kg]
	A Pipe Size	B Diameter	K		K			
			Min.	Max.	Min.	Max.		
-5B	2 [51], 3 [76]	5 [127]	1 [25]	1-1/2 [38]	1-3/32 [27]	2-1/4 [57]	6-1/4 [40]	11 [5]
-6B	2 [51], 3 [76], 4 [102]	6 [152]		1-25/32 [45]	1-13/32 [36]	2-17/32 [64]	9 [58]	13 [6]
-7B			7 [178]	2-1/8 [54]	1-23/32 [44]	2-7/8 [73]	12 [77]	14 [6]
-8B	3 [76], 4 [102]	8 [203]	1-5/32 [29]		1-3/4 [44]		19 [122]	16 [7]
	6 [152]					18 [8]		
-10B		10 [254]	1-7/16 [37]	2-1/2 [64]	2 [51]	3-1/4 [83]	23 [148]	22 [10]

PREFIXES	DESCRIPTION	STRAINER DESIG.	PIPE SIZE	LIST PRICE
ZN415*	D.C.C.I. Body Assembly with Polished Nickel Bronze Top	-5B	2", 3"	602.00
		-6B	2", 3", 4"	734.00
		-7B	2", 3", 4"	845.00
		-8B	3", 4"	1,057.00
			6"	1,730.00
			6"	2,117.00
ZB415	D.C.C.I. Body Assembly with Polished Bronze Top	-5B	2", 3"	572.00
		-6B	2", 3", 4"	664.00
		-7B	2", 3", 4"	802.00
		-8B	3", 4"	1,001.00
			6"	1,676.00
			6"	2,041.00
Z415	D.C.C.I. Body Assembly ONLY (add "-L/Top" to product sku)	No Strainer	2", 3", 4" 6"	243.00 917.00

OUTLETS (SPECIFY PIPE SIZE IN INCHES AND TYPE OF OUTLET)			
OUTLET TYPE		PIPE SIZE/ OUTLET TYPE	E BODY HT. DIM. ADD
IC	Inside Caulk	2IC, 3IC, 4IC	4-3/16" N/C
IP	Threaded	2IP	2-7/16" 102.00
		3IP	2-3/4" 102.00
		4IP	2-13/16" 102.00
		6IP	2-7/8" 102.00
NH	No-Hub	2NH, 3NH, 4NH	3-13/16" N/C
NL	Neo-Loc	2NL, 3NL, 4NL	3-7/8" N/C

BEST SELLERS	LIST PRICE
ZB415-2NH-5B	572.00
ZB415-2NH-5B-CP	607.00
ZB415-2NH-5B-P	572.00
ZB415-2NL-5B	572.00
ZN415-2IP-5B	704.00
ZN415-2NH-5B	602.00
ZN415-2NH-5B-CP	637.00
ZN415-2NH-5B-G	849.00
ZN415-2NL-5B	602.00

SUFFIXES	ADD
-AR	Acid Resisting Epoxy Coated Cast Iron 213.00
-CP	Chrome-Plated Bronze Top 35.00
Ⓞ -EF	3/4" Extension Frame 372.00
-G	Galvanized Cast Iron 247.00
-HD	Heavy-Duty Slotted Grate (ZN 5" and 6" sizes only) 258.00
-OF	Oval Funnel - 7" thru 10" Strainers Only (See ZN Z329-7) 555.00
-P	Trap Primer Connection (1/2") N/C
Ⓞ -PC	Protective Cover 81.00
Ⓞ -SA	Stabilizer Assembly (See Z1035) 174.00
Ⓞ -SQ	Stabilizer Q-deck (See Z1035-Q) 230.00
Ⓞ -SR	Stabilizer Ring (See Z400-SR) 152.00
Ⓞ -TC	Neo-Loc Test Cap Gasket (2", 3", 4" NL Bottom Outlet Only) 32.00
-TSP	Trap Seal Protection Device (Size Matches Drain Outlet Selected, See Z1072) POA
-U	1"-3" High Extension Adapter (See Z400-U) D.C. 176.00
	For each additional 1" above 3" Galv. 381.00
-V	Backwater Valve (Not Available with -Y) 473.00
-VP	Vandal-Proof Secured Top 75.00
-Y	Sediment Bucket (Not Available with -V) 137.00
-4	4" Diameter Funnel ZN 555.00
-90	90° Threaded Side Outlet Body (2" and 3" Only) 273.00

BEST SELLERS	LIST PRICE
ZB415-3NH-5B	572.00
ZB415-3NH-5B-P	572.00
ZN415-3NH-5B-P	602.00
ZB415-3NH-6B	664.00
ZN415-2NH-6B	734.00
ZN415-2NH-6B-P	734.00
ZB415-3NH-7B-SA	976.00
ZN415-2NH-7B	845.00

For additional product information, please visit www.zurn.com

*Regularly furnished unless otherwise specified.

Items designated as Best Sellers are most specified and are generally in stock for shipment.

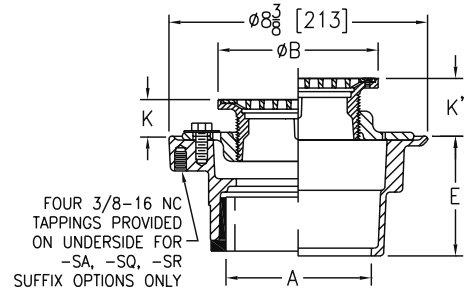
Ⓞ This symbol denotes a product that is engineered to reduce installation and rework time.

ZS415 BODY ASSEMBLY WITH "TYPE BS" STRAINER



ENGINEERING SPECIFICATION

Zurn ZS415BS floor and shower drain features Dura-Coated cast iron body with bottom outlet, combination invertible membrane clamp and adjustable collar with seepage slots, and "TYPE BS" stainless steel heel-proof, medium-duty strainer assembly.



Strainer Designation	Dimensions in inches [mm]						Str. Open Area sq in [cm ²]	Approximate Weight lb [kg]
	A Pipe Size	B Diameter	K		K'			
			Min.	Max.	Min.	Max.		
-5BS	2 [51], 3 [76]	5 [127]	1 [25]	1-1/2 [38]	1-3/32 [27]	2-1/4 [57]	6-3/4 [44]	10 [5]
-6BS	2 [51], 3 [76], 4 [102]	6 [152]		1-25/32 [45]	1-13/32 [36]	2-17/32 [64]	10-1/2 [68]	11 [5]
-7BS		7 [178]		2-1/8 [54]	1-23/32 [44]	2-7/8 [73]	15 [97]	12 [5]
-8BS	3 [76], 4 [102]	8 [203]	1-3/4 [44]		20 [129]		15 [7]	13 [6]
-10BS	6 [152]	10 [254]	1-7/16 [37]	2-1/2 [64]		2 [51]	3-1/4 [83]	26-1/2 [171]

PREFIXES	DESCRIPTION	STRAINER DESIG.	PIPE SIZE	LIST PRICE
ZS415*	D.C.C.I. Body Assembly with Type 304 Stainless Steel Top	-5BS	2", 3"	1,293.00
		-6BS	2", 3", 4"	1,609.00
		-7BS	2", 3", 4"	2,083.00
		-8BS	3", 4"	2,175.00
		-10BS	6"	3,274.00
ZM415	D.C.C.I. Body Assembly with Type 316 (CF8M) Stainless Steel Top	-5BS	2", 3"	POA
		-6BS	2", 3", 4"	POA
		-7BS	2", 3", 4"	POA
		-8BS	3", 4"	POA
		-10BS	6"	POA
OUTLETS (SPECIFY PIPE SIZE IN INCHES AND TYPE OF OUTLET)				
OUTLET TYPE		PIPE SIZE / OUTLET TYPE	E BODY HT. DIM.	ADD
IC	Inside Caulk	2IC, 3IC, 4IC	4-3/16"	N/C
IP	Threaded	2IP	2-7/16"	102.00
		3IP	2-3/4"	102.00
		4IP	2-13/16"	102.00
		6IP	2-7/8"	102.00
NH	No-Hub	2NH, 3NH, 4NH	3-13/16"	N/C
NL	Neo-Loc	2NL, 3NL, 4NL	3-7/8"	N/C

SUFFIXES		ADD	
-AR	Acid Resisting Epoxy Coated Cast Iron	213.00	
-G	Galvanized Cast Iron	247.00	
-P	Trap Primer Connection (1/2")	N/C	
-TC	Neo-Loc Test Cap Gasket (2", 3", 4" NL Bottom Outlet Only)	32.00	
-TSP	Trap Seal Protection Device (Size Matches Drain Outlet Selected, See Z1072)	POA	
-U	1"-3" High Extension Adapter (See Z400-U)	D.C.	176.00
		Galv.	381.00
	For each additional 1" above 3"	123.00	
-V	Backwater Valve (Not Available with -Y)	473.00	
-VP	Vandal-Proof Secured Top	75.00	
-Y	Sediment Bucket (Not Available with -V)	137.00	

*Regularly furnished unless otherwise specified.

Items designated as Best Sellers are most specified and are generally in stock for shipment.

⌚ This symbol denotes a product that is engineered to reduce installation and rework time.

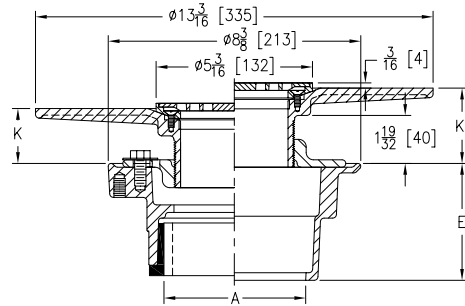
For additional product information, please visit www.zurn.com

Z415 BODY ASSEMBLY WITH "TYPE BL" STRAINER



ENGINEERING SPECIFICATION

Zurn ZN415BL floor and shower drain features Dura-Coated cast iron body with bottom outlet, combination invertible membrane clamp and adjustable collar with seepage slots, and "TYPE BL" D.C.C.I. wide flanged head and polished nickel bronze, light-duty strainer.



Strainer Designation	Dimensions in inches [mm]				Str. Open Area sq in [cm ²]	Approximate Weight lb [kg]	
	A Pipe Size	K		K'			
		Min.	Max.	Min.			Max.
-5BL	2 [51], 3 [76], 4 [102], 5 [127], 6 [152]	7/8 [22]	2-1/4 [57]	1-11/16 [43]	3 [76]	6-1/4 [40]	14 [6]

PREFIXES	DESCRIPTION	STRAINER DESIG.	PIPE SIZE	LIST PRICE
ZN415*	D.C.C.I. Body Assembly with Polished Nickel Bronze Top	-5BL	2", 3", 4", 6"	1,824.00
ZB415	D.C.C.I. Body Assembly with Polished Bronze Top	-5BL	2", 3", 4", 6"	1,752.00
Z415	D.C.C.I. Body Assembly ONLY (add "-L/Top" to product sku)	No Strainer	2", 3", 4", 6"	243.00 917.00

OUTLETS (SPECIFY PIPE SIZE IN INCHES AND TYPE OF OUTLET)				
OUTLET TYPE	PIPE SIZE/ OUTLET TYPE	E BODY HT. DIM.	ADD	
IC	Inside Caulk	2IC, 3IC, 4IC	4-3/16"	N/C
IP	Threaded	2IP	2-7/16"	102.00
		3IP	2-3/4"	102.00
		4IP	2-13/16"	102.00
		6IP	2-7/8"	102.00
NH	No-Hub	2NH, 3NH, 4NH	3-13/16"	N/C
NL	Neo-Loc	2NL, 3NL, 4NL	3-7/8"	N/C

SUFFIXES	ADD
-AR	Acid Resisting Epoxy Coated Cast Iron 489.00
-CP	Chrome-Plated Bronze Top 35.00
-G	Galvanized Cast Iron 437.00
-P	Trap Primer Connection (1/2"*) N/C
Ⓞ -PC	Protective Cover 81.00
Ⓞ -SA	Stabilizer Assembly (See Z1035) 174.00
Ⓞ -TC	Neo-Loc Test Cap Gasket (2", 3", 4" NL Bottom Outlet Only) 32.00
-U	1"-3" High Extension Adapter (See Z400-U) D.C. 176.00
	Galv. 450.00
	For each additional 1" above 3" 123.00
-VP	Vandal-Proof Secured Top 75.00
-Y	Sediment Bucket 137.00
-90	90° Threaded Side Outlet Body Assembly (2" and 3" Only) 273.00

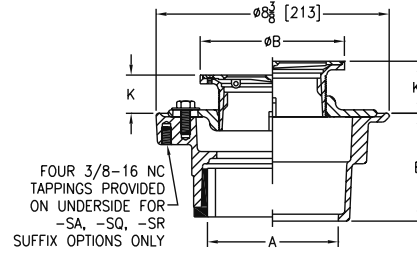
BEST SELLERS	LIST PRICE
ZN415-2NH-5BL	1,824.00
ZN415-2NH-5BL-P	1,824.00
ZN415-2NL-5BL	1,824.00

Z415 BODY ASSEMBLY WITH "TYPE C" STRAINER



ENGINEERING SPECIFICATION

Zurn ZN415C floor and shower drain features Dura-Coated cast iron body with bottom outlet, combination invertible membrane clamp and adjustable collar with seepage slots, and "TYPE C" polished, hinged nickel bronze, light-duty strainer.



Strainer Designation	Dimensions in inches [mm]						Str. Open Area sq in [cm ²]	Approximate Weight lb [kg]
	A Pipe Size	B Diameter	K		K'			
			Min.	Max.	Min.	Max.		
-5C	2 [51], 3 [76]	5 [127]	1 [25]	1-1/2 [38]	1-3/32 [27]	2-1/4 [57]	8 [52]	11 [5]
-6C	2 [51], 3 [76], 4 [102]	6 [152]		1-25/32 [45]	1-13/32 [36]	2-17/32 [64]	9 [58]	13 [6]
-7C		7 [178]	2-1/8 [54]	1-23/32 [44]	2-7/8 [73]	18 [116]	16 [7]	18 [8]
-8C	3 [76], 4 [102] 6 [152]	8 [203]		1-5/32 [29]				

PREFIXES	DESCRIPTION	STRAINER DESIG.	PIPE SIZE	LIST PRICE
ZN415*	D.C.C.I. Body Assembly with Polished Nickel Bronze Top	-5C	2", 3"	989.00
		-6C	2", 3", 4"	1,067.00
		-7C	2", 3", 4"	1,258.00
		-8C	3", 4"	1,382.00
ZB415	D.C.C.I. Body Assembly with Polished Bronze Top	6"		2,100.00
		-5C	2", 3"	943.00
		-6C	2", 3", 4"	989.00
		-7C	2", 3", 4"	1,211.00
		-8C	3", 4"	1,290.00
Z415	D.C.C.I. Body Assembly ONLY (add "-L/Top" to product sku)	No Strainer	2", 3", 4"	243.00
			6"	917.00

OUTLETS (SPECIFY PIPE SIZE IN INCHES AND TYPE OF OUTLET)				
OUTLET TYPE		PIPE SIZE/ OUTLET TYPE	E BODY HT. DIM.	ADD
IC	Inside Caulk	2IC, 3IC, 4IC	4-13/16"	N/C
IP	Threaded	2IP	2-7/16"	102.00
		3IP	2-3/4"	102.00
		4IP	2-13/16"	102.00
		6IP	2-7/8"	102.00
NH	No-Hub	2NH, 3NH, 4NH	3-13/16"	N/C
NL	Neo-Loc	2NL, 3NL, 4NL	3-7/8"	N/C

SUFFIXES		ADD
-AR	Acid Resisting Epoxy Coated Cast Iron	213.00
-CP	Chrome-Plated Bronze Top	35.00
-G	Galvanized Cast Iron	247.00
-P	Trap Primer Connection (1/2")	N/C
Ⓢ -PC	Protective Cover	81.00
Ⓢ -SA	Stabilizer Assembly (See Z1035)	174.00
Ⓢ -SQ	Stabilizer Q-Deck (See Z1035-Q)	230.00
Ⓢ -SR	Stabilizer Ring (See Z400-SR)	152.00
Ⓢ -TC	Neo-Loc Test Cap Gasket (2", 3", 4" NL Bottom Outlet Only)	32.00
-U	1"-3" High Extension Adapter (See Z400-U)	D.C. 176.00
		Galv. 450.00
	For each additional 1" above 3"	123.00
-V	Backwater Valve (Not Available with -Y)	473.00
-VP	Vandal-Proof Secured Top	75.00
-Y	Sediment Bucket (Not Available with -V)	137.00
-90	90° Threaded Side Outlet Body Assembly (2" and 3" Only)	273.00

BEST SELLERS	LIST PRICE
ZN415-2NH-5C	989.00
ZN415-2NL-6C-P-Y	1,204.00
ZN415-3NL-8C	1,382.00

*Regularly furnished unless otherwise specified.

Items designated as Best Sellers are most specified and are generally in stock for shipment.

Ⓢ This symbol denotes a product that is engineered to reduce installation and rework time.

For additional product information, please visit www.zurn.com

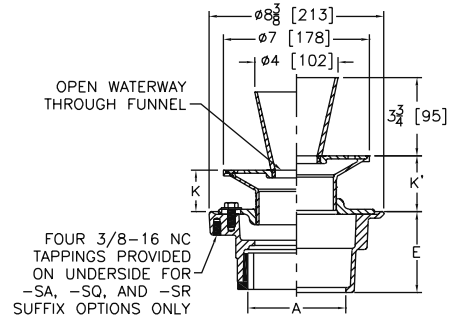
INTRO ROOF DRAINS FLOOR DRAINS T, P, BW VALVES INTERCEPTORS CARRIERS HYDRANTS CLEANOUTS WHA SS DRAINS SANI-FLOOR TECH INFO

Z415 BODY ASSEMBLY WITH "TYPE E" STRAINER



ENGINEERING SPECIFICATION

Zurn ZN415E floor and shower drain features Dura-Coated cast iron body with bottom outlet, combination invertible membrane clamp and adjustable collar with seepage slots, and "TYPE E" polished, nickel bronze strainer with 4" diameter funnel.



Strainer Designation	Dimensions in inches [mm]					Str. Open Area sq in [cm ²]	Approximate Weight lb [kg]
	A Pipe Size	K		K'			
		Min.	Max.	Min.	Max.		
-7E	2 [51], 3 [76], 4 [102]	1 [25]	2-1/8 [54]	1-5/8 [41]	2-15/16 [75]	5 [32]	19 [9]

PREFIXES	DESCRIPTION	STRAINER DESIG.	PIPE SIZE	LIST PRICE
ZN415*	D.C.C.I. Body Assembly with Polished Nickel Bronze Top	-7E	2", 3", 4"	1,769.00
ZB415	D.C.C.I. Body Assembly with Polished Bronze Top	-7E	2", 3", 4"	1,629.00
Z415	D.C.C.I. Body Assembly ONLY (add "-L/Top" to product sku)	No Strainer	2", 3", 4"	243.00

OUTLETS (SPECIFY PIPE SIZE IN INCHES AND TYPE OF OUTLET)				
OUTLET TYPE		PIPE SIZE/ OUTLET TYPE	E BODY HT. DIM.	ADD
IC	Inside Caulk	2IC, 3IC, 4IC	4-13/16"	N/C
IP	Threaded	2IP	2-7/16"	102.00
		3IP	2-3/4"	102.00
		4IP	2-13/16"	102.00
NH	No-Hub	2NH, 3NH, 4NH	3-13/16"	N/C
NL	Neo-Loc	2NL, 3NL, 4NL	3-7/8"	N/C

SUFFIXES		ADD	
-AR	Acid Resisting Epoxy Coated Cast Iron	213.00	
-G	Galvanized Cast Iron	247.00	
-P	Trap Primer Connection (1/2")	N/C	
Ⓢ -SA	Stabilizer Assembly (See Z1035)	174.00	
-SC	Solid Cover	187.00	
Ⓢ -SQ	Stabilizer Q-Deck (See Z1035-Q)	230.00	
Ⓢ -SR	Stabilizer Ring (See Z400-SR)	152.00	
Ⓢ -TC	Neo-Loc Test Cap Gasket (2", 3", 4" NL Bottom Outlet Only)	32.00	
Ⓢ -U	1"-3" High Extension Adapter (See Z400-U)	D.C.	176.00
		Galv.	381.00
	For each additional 1" above 3"	123.00	
-V	Backwater Valve (Not Available with -Y)	473.00	
-VP	Vandal-Proof Secured Top	75.00	
-Y	Sediment Bucket (Not Available with -V)	137.00	
-90	90° Threaded Side Outlet Body Assembly (2" and 3" Only)	273.00	

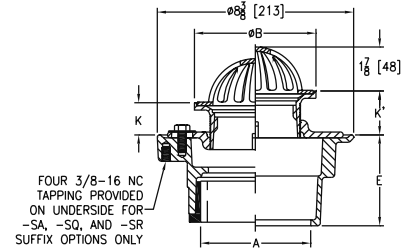
BEST SELLERS	LIST PRICE
ZN415-2NH-7E	1,769.00
ZN415-2NH-7E-P	1,769.00
ZN415-2NH-7E-P-U-VP	2,020.00
ZN415-2NL-7E	1,769.00
ZN415-3NH-7E	1,769.00
ZN415-4NL-7E-P	1,769.00

Z415 BODY ASSEMBLY WITH "TYPE G" STRAINER



ENGINEERING SPECIFICATION

Zurn ZN415G floor and shower drain features Dura-Coated cast iron body with bottom outlet, combination invertible membrane clamp and adjustable collar with seepage slots, and "TYPE G" polished, nickel bronze strainer with dome grate.



Strainer Designation	Dimensions in inches [mm]						Str. Open Area sq in [cm ²]	Approximate Weight lb [kg]
	A Pipe Size	B Diameter	K		K'			
			Min.	Max.	Min.	Max.		
-5G	2 [51], 3 [76]	5 [127]	1 [25]	1-1/2 [38]	1-3/32 [27]	2-1/4 [57]	10 [65]	11 [5]
-6G	2 [51], 3 [76], 4 [102]	6 [152]		1-25/32 [45]	1-13/32 [36]	2-17/32 [64]	12 [77]	13 [6]

PREFIXES	DESCRIPTION	STRAINER DESIG.	PIPE SIZE	LIST PRICE
ZN415*	D.C.C.I. Body Assembly with Polished Nickel Bronze Top	-5G	2", 3"	892.00
		-6G	2", 3", 4"	1,067.00
Z415	D.C.C.I. Body Assembly ONLY (add "-L/Top" to product sku)	No Strainer	2", 3", 4"	243.00
OUTLETS (SPECIFY PIPE SIZE IN INCHES AND TYPE OF OUTLET)				
OUTLET TYPE		PIPE SIZE/OUTLET TYPE	E BODY HT. DIM.	ADD
IC	Inside Caulk	2IC, 3IC, 4IC	4-13/16"	N/C
IP	Threaded	2IP	2-7/16"	102.00
		3IP	2-3/4"	102.00
		4IP	2-13/16"	102.00
NH	No-Hub	2NH, 3NH, 4NH	3-13/16"	N/C
NL	Neo-Loc	2NL, 3NL, 4NL	3-7/8"	N/C

SUFFIXES		ADD
-AR	Acid Resisting Epoxy Coated Cast Iron	213.00
-G	Galvanized Cast Iron	247.00
-P	Trap Primer Connection (1/2")	N/C
⌚ -SA	Stabilizer Assembly (See Z1035)	174.00
⌚ -SQ	Stabilizer Q-Deck (See Z1035-Q)	230.00
⌚ -SR	Stabilizer Ring (See Z400-SR)	152.00
-SS	Stainless Steel Mesh Screen Over Dome	656.00
⌚ -TC	Neo-Loc Test Cap Gasket (2", 3", 4" NL Bottom Outlet Only)	32.00
-U	1"-3" High Extension Adapter (See Z400-U)	D.C. 176.00
		Galv. 381.00
	For each additional 1" above 3"	123.00
-V	Backwater Valve (Not Available with -Y)	473.00
-VP	Vandal-Proof Secured Top	75.00
-Y	Sediment Bucket (Not Available with -V)	137.00
-90	90° Threaded Side Outlet Body Assembly (2" and 3" Only)	273.00
BEST SELLER		LIST PRICE
ZN415-3IP-5G-90		1,267.00

*Regularly furnished unless otherwise specified.

Items designated as Best Sellers are most specified and are generally in stock for shipment.

⌚ This symbol denotes a product that is engineered to reduce installation and rework time.

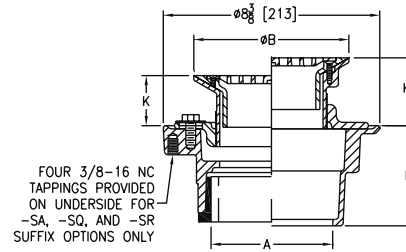
For additional product information, please visit www.zurn.com

Z415 BODY ASSEMBLY WITH "TYPE H" STRAINER



ENGINEERING SPECIFICATION

Zurn ZN415H floor and shower drain features Dura-Coated cast iron body with bottom outlet, combination invertible membrane clamp and adjustable collar with seepage slots, and "TYPE H" polished, nickel bronze light-duty strainer with flashing clamp device for clamping at the finished floor level.



Strainer Designation	Dimensions in inches [mm]						Str. Open Area sq in [cm ²]	Approximate Weight lb [kg]
	A Pipe Size	B Diameter	K		K'			
			Min.	Max.	Min.	Max.		
-6H	2 [51], 3 [76], 4 [102]	6 [152]	1-1/4 [32]	2-3/8 [60]	2-3/16 [56]	3-5/16 [84]	7 [45]	13 [6]
-9H		9 [229]	1-11/16 [43]	2-5/8 [67]	2-7/16 [62]	3-9/16 [90]	18 [116]	20 [9]

PREFIXES	DESCRIPTION	STRAINER DESIG.	PIPE SIZE	LIST PRICE
ZN415*	D.C.C.I. Body Assembly with Polished Nickel Bronze Top	-6H	2", 3", 4"	2,075.00
		-9H	2", 3", 4"	2,651.00
ZB415	D.C.C.I. Body Assembly with Polished Bronze Top	-6H	2", 3", 4"	1,868.00
		-9H	2", 3", 4"	2,375.00
Z415	D.C.C.I. Body Assembly ONLY (add "-L/Top" to product sku)	No Strainer	2", 3", 4"	243.00

OUTLETS (SPECIFY PIPE SIZE IN INCHES AND TYPE OF OUTLET)				
OUTLET TYPE		PIPE SIZE/OUTLET TYPE	E BODY HT. DIM.	ADD
IP	Threaded	2IP	2-7/16"	102.00
		3IP	2-3/4"	102.00
		4IP	2-13/16"	102.00
NH	No-Hub	2NH, 3NH, 4NH	3-13/16"	N/C
NL	Neo-Loc	2NL, 3NL, 4NL	3-7/8"	N/C

SUFFIXES		ADD	
-AR	Acid Resisting Epoxy Coated Cast Iron	213.00	
-G	Galvanized Cast Iron	247.00	
-P	Trap Primer Connection (1/2"*)	N/C	
Ⓢ -SA	Stabilizer Assembly (See Z1035)	174.00	
Ⓢ -SQ	Stabilizer Q-Deck (See Z1035-Q)	230.00	
Ⓢ -SR	Stabilizer Ring (See Z400-SR)	152.00	
Ⓢ -TC	Neo-Loc Test Cap Gasket (2", 3", 4" NL Bottom Outlet Only)	32.00	
-U	1"-3" High Extension Adapter (See Z400-U)	D.C.	176.00
		Galv.	381.00
	For each additional 1" above 3"	123.00	
-V	Backwater Valve (Not Available with -Y)	473.00	
-VP	Vandal-Proof Secured Top	75.00	
-Y	Sediment Bucket (Not Available with -V)	137.00	

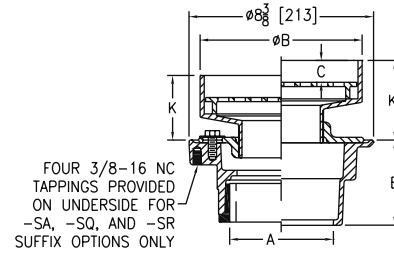
BEST SELLERS	LIST PRICE
ZN415-2NH-6H	2,075.00
ZN415-2NH-6H-P	2,075.00
ZN415-2NL-6H	2,075.00
ZN415-4NH-6H	2,075.00
ZN415-4NH-6H-SA	2,249.00

Z415 BODY ASSEMBLY WITH "TYPE I" STRAINER



ENGINEERING SPECIFICATION

Zurn ZN415I floor and shower drain features Dura-Coated cast iron body with bottom outlet, combination invertible membrane clamp and adjustable collar with seepage slots, and "TYPE I" polished, nickel bronze strainer with raised flange.



Strainer Designation	Dimensions in inches [mm]							Str. Open Area sq in [cm ²]	Approximate Weight lb [kg]
	A Pipe Size	B Diameter	C	K		K'			
				Min.	Max.	Min.	Max.		
-5I	2 [51], 3 [76]	5-7/16 [138]	7/8 [22]	1-9/16 [40]	2-5/8 [67]	2-1/8 [54]	3-3/8 [86]	8 [52]	14 [6]
-7I	2 [51], 3 [76], 4 [102]	7-3/8 [187]	1 [25]	2-9/16 [65]	3-3/8 [86]	2-7/8 [73]	4-1/8 [104]	13 [84]	19 [9]
-9I	3 [76], 4 [102] 6 [152]	9 [229]	1/2 [13]	2-3/16 [56]	3-1/8 [79]	2-5/8 [67]	3-7/8 [98]	23 [148]	23 [10]

PREFIXES	DESCRIPTION	STRAINER DESIG.	PIPE SIZE	LIST PRICE
ZN415*	D.C.C.I. Body Assembly with Polished Nickel Bronze Top	-5I	2", 3"	1,358.00
		-7I	2", 3", 4"	1,464.00
		-9I	3", 4"	2,051.00
ZB415	D.C.C.I. Body Assembly with Polished Bronze Top	-5I	2", 3"	1,276.00
		-7I	2", 3", 4"	1,342.00
		-9I	3", 4"	1,875.00
			6"	2,590.00
Z415	D.C.C.I. Body Assembly ONLY (add "-L/Top" to product sku)	No Strainer	2", 3"	243.00
			2", 3", 4"	243.00
			3", 4"	243.00
			6"	917.00

OUTLETS (SPECIFY PIPE SIZE IN INCHES AND TYPE OF OUTLET)			
OUTLET TYPE	PIPE SIZE/OUTLET TYPE	E BODY HT. DIM.	ADD
IC	Inside Caulk	2IC, 3IC, 4IC	4-13/16" N/C
IP	Threaded	2IP	2-7/16" 102.00
		3IP	2-3/4" 102.00
		4IP	2-13/16" 102.00
		6IP	2-7/8" 102.00
NH	No-Hub	2NH, 3NH, 4NH	3-13/16" N/C
NL	Neo-Loc	2NL, 3NL, 4NL	3-7/8" N/C

SUFFIXES	ADD
-AR	Acid Resisting Epoxy Coated Cast Iron 213.00
-G	Galvanized Cast Iron 247.00
-P	Trap Primer Connection (1/2") N/C
⌚ -SA	Stabilizer Assembly (See Z1035) 174.00
⌚ -SQ	Stabilizer Q-deck (See Z1035-Q) 230.00
⌚ -SR	Stabilizer Ring (See Z400-SR) 152.00
⌚ -TC	Neo-Loc Test Cap Gasket (2", 3", 4" NL Bottom Outlet Only) 32.00
-TS	Top Secured with Slotted Screws 75.00
-TSP	Trap Seal Protection Device (Size Matches Drain Outlet Selected, See Z1072) POA
-U	1"-3" High Extension Adapter (See Z400-U) D.C. 176.00
	For each additional 1" above 3" 123.00
-V	Backwater Valve (Not Available with -Y) 473.00
-VP	Vandal-Proof Secured Top 147.00
-Y	Sediment Bucket (Not Available with -V) 137.00
-90	90° Threaded Side Outlet Body Assembly (2" and 3" Only) 273.00

BEST SELLERS	LIST PRICE
ZN415-2NH-5I	1,358.00
ZN415-2NH-7I	1,464.00
ZN415-2NL-7I	1,464.00
ZN415-3NH-7I	1,464.00
ZN415-3NL-7I-P	1,464.00

*Regularly furnished unless otherwise specified.

Items designated as Best Sellers are most specified and are generally in stock for shipment.

⌚ This symbol denotes a product that is engineered to reduce installation and rework time.

For additional product information, please visit www.zurn.com

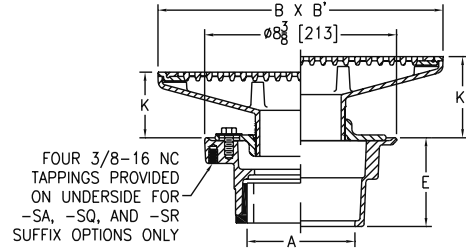
INTRO
ROOF DRAINS
FLOOR DRAINS
I, P, BW VALVES
INTERCEPTORS
CARRIERS
HYDRANTS
CLEANOUTS
WHA
SS DRAINS
SANI-FLOOR
TECH INFO

Z415 BODY ASSEMBLY WITH "TYPE J" HEEL-PROOF STRAINER



ENGINEERING SPECIFICATION

Zurn ZN415J floor and shower drain features Dura-Coated cast iron body with bottom outlet, combination invertible membrane clamp and adjustable collar with seepage slots, and "TYPE J" polished, nickel bronze rectangular light-duty, heel-proof strainer.



Strainer Designation	Dimensions in inches [mm]						Str. Open Area sq in [cm ²]	Approximate Weight lb [kg]
	A Pipe Size	B Diameter	K		K'			
			Min.	Max.	Min.	Max.		
-8J	2 [51], 3 [76], 4 [102]	4-1/2 [114] x 8 [203]	1-3/8 [35]	2-5/8 [67]	2-1/8 [54]	3-3/8 [86]	12 [77]	13 [6]
-9J		5 [127] x 9 [229]	1-5/8 [41]	2-13/16 [71]	2-3/8 [60]	3-5/8 [92]	15 [97]	14 [6]
-13J		5-1/2 [140] x 13 [330]	2-3/32 [53]	3-5/16 [84]	2-13/16 [71]	4 [102]	20 [129]	18 [8]
-17J	5 [127] x 17 [432]	2-1/4 [57]	29 [187]				23 [10]	
-21J	5 [127] x 21 [533]	2-5/16 [59]	32 [206]				27 [12]	
-20J	6 [152]	10 [254] x 20 [508]	2-9/16 [65]	3-1/4 [83]	2-7/8 [73]	66 [426]	45 [20]	

PREFIXES	DESCRIPTION	STRAINER DESIG.	PIPE SIZE	LIST PRICE
ZN415*	D.C.C.I. Body Assembly with Polished Nickel Bronze Top	-8J	2", 3", 4"	1,382.00
		-9J	2", 3", 4"	1,382.00
		-13J	3", 4"	1,875.00
		-17J	3", 4"	1,998.00
		-21J	3", 4"	2,877.00
		-20J	6"	6,262.00
ZB415	D.C.C.I. Body Assembly with Polished Bronze Top	-8J	2", 3", 4"	1,292.00
		-9J	2", 3", 4"	1,292.00
		-13J	3", 4"	1,701.00
		-17J	3", 4"	1,825.00
		-21J	3", 4"	2,535.00
		-20J	6"	5,238.00
Z415	D.C.C.I. Body Assembly ONLY (add "-L/Top" to product sku)	No Strainer	2", 3", 4"	243.00
			6"	917.00

OUTLETS (SPECIFY PIPE SIZE IN INCHES AND TYPE OF OUTLET)				
OUTLET TYPE	PIPE SIZE/ OUTLET TYPE	E BODY HT. DIM.	ADD	
IC	Inside Caulk	2IC, 3IC, 4IC	4-13/16"	N/C
IP	Threaded	2IP	2-7/16"	102.00
		3IP	2-3/4"	102.00
		4IP	2-13/16"	102.00
		6IP	2-7/8"	102.00
		NH	No-Hub	2NH, 3NH, 4NH
NL	Neo-Loc	2NL, 3NL, 4NL	3-7/8"	N/C

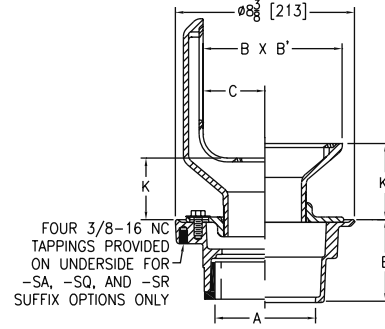
SUFFIXES	ADD
-AR	Acid Resisting Epoxy Coated Cast Iron 811.00
-G	Galvanized Cast Iron 247.00
-P	Trap Primer Connection (1/2") N/C
Ⓢ -SA	Stabilizer Assembly (See Z1035) 174.00
Ⓢ -SQ	Stabilizer Q-deck (See Z1035-Q) 230.00
Ⓢ -SR	Stabilizer Ring (See Z400-SR) 152.00
Ⓢ -TC	Neo-Loc Test Cap Gasket (2", 3", 4" NL Bottom Outlet Only) 32.00
-U	1"-3" High Extension Adapter (See Z400-U) D.C. 176.00
	Galv. 381.00
	For each additional 1" above 3" 123.00
-V	Backwater Valve (Not Available with -Y) 473.00
-VP	Vandal-Proof Secured Top 75.00
-Y	Sediment Bucket (Not Available with -V) 137.00
-90	90° Threaded Side Outlet Body Assembly (2" and 3" Only) 273.00
BEST SELLERS	
ZN415-2NH-8J	1,382.00
ZN415-3NL-9J-P	1,382.00

Z415 BODY ASSEMBLY WITH "TYPE K" STRAINER



ENGINEERING SPECIFICATION

Zurn ZN415K floor and shower drain features Dura-Coated cast iron body with bottom outlet, combination invertible membrane clamp and adjustable collar with seepage slots, and "TYPE K" polished, nickel bronze, angular, light-duty strainer.



Strainer Designation	Dimensions in inches [mm]							Str. Open Area sq in [cm ²]	Approximate Weight lb [kg]
	A Pipe Size	B x B'	C	K		K'			
				Min.	Max.	Min.	Max.		
-5K	2 [51], 3 [76], 4 [102]	3-3/4 [95] x 5 [127]	1-7/32 [31]	1 [25]	2 [51]	1-3/4 [44]	2-3/4 [70]	11 [71]	18 [8]
-7K		6-5/8 [143] x 7 [178]	2-15/16 [75]	2-3/16 [56]	3-3/8 [86]	2-7/8 [73]	4-1/8 [105]	29 [187]	25 [11]

PREFIXES	DESCRIPTION	STRAINER DESIG.	PIPE SIZE	LIST PRICE
ZN415*	D.C.C.I. Body Assembly with Polished Nickel Bronze Top	-5K	2", 3", 4"	2,560.00
		-7K	2", 3", 4"	3,200.00
ZB415	D.C.C.I. Body Assembly with Polished Bronze Top	-5K	2", 3", 4"	2,364.00
		-7K	2", 3", 4"	2,952.00
Z415	D.C.C.I. Body Assembly ONLY (add "-L/Top" to product sku)	No Strainer	2", 3", 4"	243.00

OUTLETS (SPECIFY PIPE SIZE IN INCHES AND TYPE OF OUTLET)				
OUTLET TYPE		PIPE SIZE/ OUTLET TYPE	E BODY HT. DIM.	ADD
IP	Threaded	2IP	2-7/16"	102.00
		3IP	2-3/4"	102.00
		4IP	2-13/16"	102.00
NH	No-Hub	2NH, 3NH, 4NH	3-13/16"	N/C
NL	Neo-Loc	2NL, 3NL, 4NL	3-7/8"	N/C

SUFFIXES		ADD
-AR	Acid Resisting Epoxy Coated Cast Iron	213.00
-G	Galvanized Cast Iron	247.00
-P	Trap Primer Connection (1/2"*)	N/C
Ⓞ -SA	Stabilizer Assembly (See Z1035)	174.00
Ⓞ -SQ	Stabilizer Q-Deck (See Z1035-Q)	230.00
Ⓞ -SR	Stabilizer Ring (See Z400-SR)	152.00
Ⓞ -TC	Neo-Loc Test Cap Gasket (2", 3", 4" NL Bottom Outlet Only)	32.00
-U	1"-3" High Extension Adapter (See Z400-U)	D.C. 176.00
		Galv. 381.00
	For each additional 1" above 3"	123.00
-V	Backwater Valve (Not Available with -Y)	473.00
-VP	Vandal-Proof Secured Top	75.00
-Y	Sediment Bucket (Not Available with -V)	137.00
-90	90° Threaded Side Outlet Body Assembly (2" and 3" Only)	273.00
BEST SELLER		LIST PRICE
ZN415-3NL-5K-P-VP		2,635.00

*Regularly furnished unless otherwise specified.

Items designated as Best Sellers are most specified and are generally in stock for shipment.

Ⓞ This symbol denotes a product that is engineered to reduce installation and rework time.

For additional product information, please visit www.zurn.com

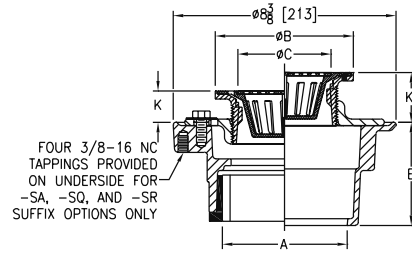
INTRO
ROOF DRAINS
FLOOR DRAINS
I, P, BW VALVES
INTERCEPTORS
CARRIERS
HYDRANTS
CLEANOUTS
WHA
SS DRAINS
SAN-FLOOR
TECH INFO

Z415 BODY ASSEMBLY WITH "TYPE M" STRAINER AND SUR-SET BUCKET



ENGINEERING SPECIFICATION

Zurn ZN415M floor and shower drain features Dura-Coated cast iron body with bottom outlet, combination invertible membrane clamp and adjustable collar with seepage slots, and "TYPE M" polished nickel bronze strainer and Sur-Set bucket.



Strainer Designation	Dimensions in inches [mm]							Str. Open Area sq in [cm ²]	Approximate Weight lb [kg]
	A Pipe Size	B Diameter	C	K		K'			
				Min.	Max.	Min.	Max.		
-5M	2 [51], 3 [76], 4 [102]	5 [127]	3-1/2 [89]	7/8 [22]	1-5/8 [41]	1-3/16 [30]	2-3/8 [60]	4-1/2 [29]	11 [5]

PREFIXES	DESCRIPTION	STRAINER DESIG.	PIPE SIZE	LIST PRICE
ZN415*	D.C.C.I. Body Assembly with Polished Nickel Bronze Top	-5M	2", 3", 4"	1,269.00
ZB415	D.C.C.I. Body Assembly with Polished Bronze Top	-5M	2", 3", 4"	1,203.00
Z415	D.C.C.I. Body Assembly ONLY (add "-L/Top" to product sku)	No Strainer	2", 3", 4"	243.00

OUTLETS (SPECIFY PIPE SIZE IN INCHES AND TYPE OF OUTLET)				
OUTLET TYPE		PIPE SIZE/ OUTLET TYPE	E BODY HT. DIM.	ADD
IP	Threaded	2IP	2-7/16"	102.00
		3IP	2-3/4"	102.00
		4IP	2-13/16"	102.00
NH	No-Hub	2NH, 3NH, 4NH	3-13/16"	N/C
NL	Neo-Loc	2NL, 3NL, 4NL	3-7/8"	N/C

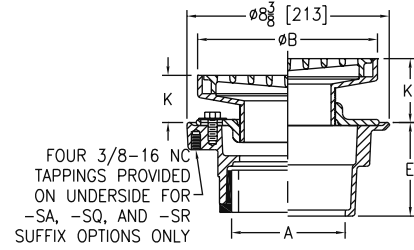
SUFFIXES		ADD
-G	Galvanized Cast Iron	247.00
-P	Trap Primer Connection (1/2")	N/C
Ⓢ -PC	Protective Cover	81.00
Ⓢ -SA	Stabilizer Assembly (See Z1035)	174.00
Ⓢ -SQ	Stabilizer Q-Deck (See Z1035-Q)	230.00
Ⓢ -SR	Stabilizer Ring (See Z400-SR)	152.00
Ⓢ -TC	Neo-Loc Test Cap Gasket (2", 3", 4" NL Bottom Outlet Only)	32.00
-U	1"-3" High Extension Adapter (See Z400-U)	D.C. 176.00
		Galv. 381.00
	For each additional 1" above 3"	123.00
-VP	Vandal-Proof Secured Top	147.00

Z415 BODY ASSEMBLY WITH "TYPE N" STRAINER



ENGINEERING SPECIFICATION

Zurn Z415N floor and shower drain features Dura-Coated cast iron body with bottom outlet, combination invertible membrane clamp and adjustable collar with seepage slots, and "TYPE N" D.C.C.I. light-duty strainer with deep flanged grate.



Strainer Designation	Dimensions in inches [mm]						Str. Open Area sq in [cm ²]	Approximate Weight lb [kg]
	A Pipe Size	B Diameter	K		K'			
			Min.	Max.	Min.	Max.		
-7N	2 [51], 3 [76], 4 [102]	7 [178]	1-9/16 [40]	2-3/8 [60]	1-7/8 [48]	3-1/8 [79]	12 [77]	17 [8]
-9N	6 [152]	9 [229]	1-11/16 [43]	2-5/8 [67]	2-3/16 [56]	3-3/8 [86]	23 [148]	21 [10] 23 [10]

PREFIXES	DESCRIPTION	STRAINER DESIG.	PIPE SIZE	LIST PRICE
Z415*	D.C.C.I. Body Assembly with Dura-Coated Top	-7N	2", 3", 4"	707.00
		-9N	2", 3", 4"	872.00
			6"	1,584.00
ZB415	D.C.C.I. Body Assembly with Polished Bronze Top	-7N	2", 3", 4"	1,342.00
		-9N	2", 3", 4"	1,875.00
			6"	2,590.00
ZN415	D.C.C.I. Body Assembly with Polished Nickel Bronze Top	-7N	2", 3", 4"	1,464.00
		-9N	2", 3", 4"	2,029.00
			6"	2,743.00
Z415	D.C.C.I. Body Assembly ONLY (add "-L/Top" to product sku)	No Strainer	2", 3", 4"	243.00
			2", 3", 4"	243.00
			6"	917.00
OUTLETS (SPECIFY PIPE SIZE IN INCHES AND TYPE OF OUTLET)				
OUTLET TYPE		PIPE SIZE/ OUTLET TYPE	E BODY HT. DIM.	ADD
IP	Threaded	2IP	2-7/16"	102.00
		3IP	2-3/4"	102.00
		4IP	2-13/16"	102.00
		6IP	2-7/8"	102.00
NH	No-Hub	2NH, 3NH, 4NH	3-13/16"	N/C
NL	Neo-Loc	2NL, 3NL, 4NL	3-7/8"	N/C

SUFFIXES	ADD
-AR	Acid Resisting Epoxy Coated Cast Iron 213.00
-DG	Duresit Grate 7" 162.00
	9" 206.00
-G	Galvanized Cast Iron 247.00
-P	Trap Primer Connection (1/2") N/C
Ⓢ -SA	Stabilizer Assembly (See Z1035) 174.00
Ⓢ -SQ	Stabilizer Q-Deck (See Z1035-Q) 230.00
Ⓢ -SR	Stabilizer Ring (See Z400-SR) 152.00
Ⓢ -TC	Neo-Loc Test Cap Gasket (2", 3", 4" NL Bottom Outlet Only) 32.00
-TS	Top Secured with Slotted Screws 75.00
-U	1"-3" High Extension Adapter (See Z400-U) D.C. 176.00
	Galv. 381.00
	For each additional 1" above 3" 123.00
-V	Backwater Valve (Not Available with -Y) 473.00
-VP	Vandal-Proof Secured Top 147.00
-Y	Sediment Bucket (Not Available with -V) 137.00
-90	90° Threaded Side Outlet Body Assembly (2" and 3" Only) 273.00
BEST SELLERS	LIST PRICE
Z415-3NH-7N-P	707.00
Z415-4NH-7N	707.00
ZN415-2NH-7N-P	1,464.00
ZN415-3NL-7N-P	1,464.00
ZN415-3NL-9N-P	2,029.00

*Regularly furnished unless otherwise specified.

Items designated as Best Sellers are most specified and are generally in stock for shipment.

Ⓢ This symbol denotes a product that is engineered to reduce installation and rework time.

For additional product information, please visit www.zurn.com

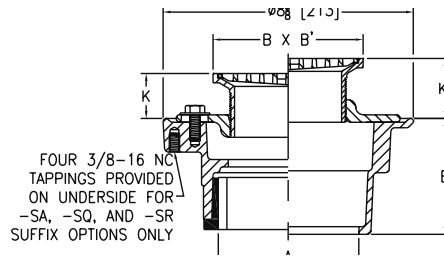
INTRO
 ROOF DRAINS
 FLOOR DRAINS
 T, P, BW VALVES
 INTERCEPTORS
 CARRIERS
 HYDRANTS
 CLEANOUTS
 WHA
 SS DRAINS
 SANI-FLOOR
 TECH INFO

Z415 BODY ASSEMBLY WITH "TYPE S" STRAINER



ENGINEERING SPECIFICATION

Zurn ZN415S floor and shower drain features Dura-Coated cast iron body with bottom outlet, combination invertible membrane clamp and adjustable collar with seepage slots, and "TYPE S" polished, nickel bronze, square heel-proof, light-duty strainer.



Strainer Designation	Dimensions in inches [mm]						Str. Open Area sq in [cm ²]	Approximate Weight lb [kg]
	A Pipe Size	B x B' Strainer Top Size	K		K'			
			Min.	Max.	Min.	Max.		
-5S	2 [51], 3 [76]	5 x 5 [127]	1 [25]	1-19/32 [40]	1-1/4 [32]	2-3/8 [60]	19 [122]	12 [5]
-6S	2 [51], 3 [76], 4 [102]	6 x 6 [152]		1-27/32 [47]	1-13/32 [36]	2-19/32 [66]	13 [84]	13 [6]
-7S		7 x 7 [178]	1-7/8 [48]	1-3/8 [35]	2-5/8 [67]	21 [135]	14 [6]	
-8S	3 [76], 4 [102]	8 x 8 [203]		1-3/4 [44]		28 [181]	15 [7]	
-10S	6 [152]	10 x 10 [254]				21 [10]		

PREFIXES	DESCRIPTION	STRAINER DESIG.	PIPE SIZE	LIST PRICE
ZN415*	D.C.C.I. Body Assembly with Polished Nickel Bronze Top	-5S	2", 3"	801.00
		-6S	2", 3", 4"	892.00
		-7S	2", 3", 4"	1,070.00
		-8S	3", 4"	1,293.00
		-10S	6"	2,724.00
ZB415	D.C.C.I. Body Assembly with Polished Bronze Top	-5S	2", 3"	734.00
		-6S	2", 3", 4"	845.00
		-7S	2", 3", 4"	1,001.00
		-8S	3", 4"	1,173.00
		-10S	6"	2,588.00
Z415	D.C.C.I. Body Assembly ONLY (add "-L/Top" to product sku)	No Strainer	2", 3", 4"	243.00
			6"	917.00

OUTLETS (SPECIFY PIPE SIZE IN INCHES AND TYPE OF OUTLET)			
OUTLET TYPE		PIPE SIZE / OUTLET TYPE	E BODY HT. DIM. ADD
IC	Inside Caulk	2IC, 3IC, 4IC	4-13/16" N/C
IG	Inside Gasket	2IG, 3IG, 4IG	4-13/16" N/C
IP	Threaded	2IP	2-7/16" 102.00
		3IP	2-3/4" 102.00
		4IP	2-13/16" 102.00
		6IP	2-7/8" 102.00
NH	No-Hub	2NH, 3NH, 4NH	3-13/16" N/C
NL	Neo-Loc	2NL, 3NL, 4NL	3-7/8" N/C

SUFFIXES		ADD
-AR	Acid Resisting Epoxy Coated Cast Iron	213.00
-CP	Chrome-Plated Bronze Top	35.00
-G	Galvanized Cast Iron	247.00
-HD	Heavy-Duty Grate (ZN 6" x 6" only)	258.00
-OF	Oval Funnel (6", 7", 8", 10" strainers only) (See Z329-7)	555.00
-P	Trap Primer Connection (1/2")	N/C
Ⓞ -PC	Protective Cover	81.00
Ⓞ -SA	Stabilizer Assembly (See Z1035)	174.00
Ⓞ -SQ	Stabilizer Q-Deck (See Z1035-Q)	230.00
Ⓞ -TC	Neo-Loc Test Cap Gasket (2", 3", 4" NL Bottom Outlet Only)	32.00
-U	1"-3" High Extension Adapter (See Z400-U)	D.C. 176.00
		Galv. 381.00
	For each additional 1" above 3"	123.00
-V	Backwater Valve (Not Available with -Y)	473.00
-VP	Vandal-Proof Secured Top	75.00
-Y	Sediment Bucket (Not Available with -V)	137.00
-4	4" Diameter Funnel (See Z328)	555.00
-90	90° Threaded Side Outlet Body Assembly (2" and 3" Only)	273.00

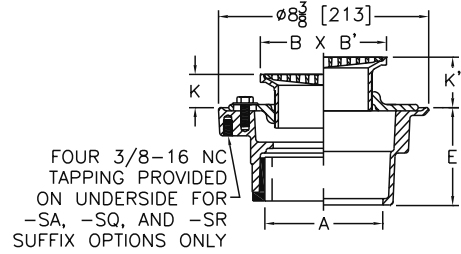
BEST SELLERS	LIST PRICE
ZB415-2NH-5S-CP	769.00
ZN415-2NH-5S-P	801.00
ZB415-2NL-5S	734.00
ZB415-3NH-6S	845.00
ZB415-3NH-6S-P	845.00
ZB415-3NL-5S	734.00
ZN415-3NL-5S-P	801.00
ZB415-3NL-6S-P	845.00
ZN415-2NL-7S	1,070.00
ZB415-3NL-8S	1,173.00
ZN415-3NH-8S	1,293.00

ZS415 BODY ASSEMBLY WITH "TYPE SS" STRAINER



ENGINEERING SPECIFICATION

Zurn ZS415SS floor and shower drain features Dura-Coated cast iron body with bottom outlet, combination invertible membrane clamp and adjustable collar with seepage slots, and "TYPE SS" heel-proof, stainless steel, medium-duty square strainer.



Strainer Designation	Dimensions in inches [mm]						Str. Open Area sq in [cm ²]	Approximate Weight lb [kg]
	A Pipe Size	B x B' Strainer Top Size	K		K'			
			Min.	Max.	Min.	Max.		
-5SS	2 [51], 3 [76]	5 x 5 [127]	1 [25]	1-19/32 [40]	1-1/4 [32]	2-3/8 [60]	8-1/2 [55]	11 [5]
-6SS	2 [51], 3 [76], 4 [102]	6 x 6 [152]		1-27/32 [47]	1-13/32 [36]	2-19/32 [66]	13 [84]	12 [5]
-8SS	3 [76], 4 [102]	8 x 8 [203]	1-3/32 [27]	1-7/8 [48]	1-3/4 [44]	2-5/8 [67]	24-1/2 [158]	15 [7]

PREFIXES	DESCRIPTION	STRAINER DESIG.	PIPE SIZE	LIST PRICE
ZS415*	D.C.C.I. Body Assembly with Square Type 304 (CF8) Stainless Steel Top	-5SS	2", 3"	1,353.00
		-6SS	2", 3", 4"	1,657.00
		-8SS	3", 4"	2,246.00
ZM415	D.C.C.I. Body Assembly with Square Type 316 (CF8M) Stainless Steel Top	-5SS	2", 3"	POA
		-6SS	2", 3", 4"	POA
		-8SS	3", 4"	POA
Z415	D.C.C.I. Body Assembly ONLY (add "-L/Top" to product sku)	No Strainer	2", 3", 4"	243.00

OUTLETS (SPECIFY PIPE SIZE IN INCHES AND TYPE OF OUTLET)				
OUTLET TYPE		PIPE SIZE/ OUTLET TYPE	E BODY HT. DIM.	ADD
IC	Inside Caulk	2IC, 3IC, 4IC	4-13/16"	N/C
IP	Threaded	2IP	2-7/16"	102.00
		3IP	2-3/4"	102.00
		4IP	2-13/16"	102.00
NH	No-Hub	2NH, 3NH, 4NH	3-13/16"	N/C
NL	Neo-Loc	2NL, 3NL, 4NL	3-7/8"	N/C

SUFFIXES		ADD	
-AR	Acid Resisting Epoxy Coated Cast Iron	213.00	
-G	Galvanized Cast Iron	247.00	
-P	Trap Primer Connection (1/2"*)	N/C	
-TC	Neo-Loc Test Cap Gasket (2", 3", 4" NL Bottom Outlet Only)	32.00	
-U	1"-3" High Extension Adapter (See Z400-U)	D.C.	176.00
		Galv.	381.00
	For each additional 1" above 3"	123.00	
-V	Backwater Valve (Not Available with -Y)	473.00	
-VP	Vandal-Proof Secured Top	75.00	
-Y	Sediment Bucket (Not Available with -V)	137.00	

*Regularly furnished unless otherwise specified.

Items designated as Best Sellers are most specified and are generally in stock for shipment.

⌚ This symbol denotes a product that is engineered to reduce installation and rework time.

For additional product information, please visit www.zurn.com

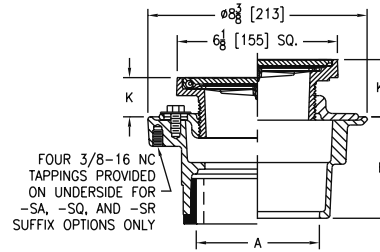
INTRO ROOF DRAINS FLOOR DRAINS I, P, BW VALVES INTERCEPTORS CARRIERS HYDRANTS CLEANOUTS WHA SS DRAINS SANI-FLOOR TECH INFO

Z415 BODY ASSEMBLY WITH "TYPE SC" STRAINER



ENGINEERING SPECIFICATION

Zurn ZN415SC floor and shower drain features Dura-Coated cast iron body with bottom outlet, combination invertible membrane clamp, adjustable collar with seepage slots, and "TYPE SC" polished, nickel bronze strainer with flashing clamp device and adjustable strainer top with scoriated, hinged, light-duty cover.



Strainer Designation	Dimensions in inches [mm]					Approximate Weight lb [kg]
	A Pipe Size	K		K'		
		Min.	Max.	Min.	Max.	
-6SC	2 [51], 3 [76], 4 [102]	1-3/16 [30]	1-15/16 [152]	1-3/4 [44]	2-7/8 [73]	16 [7]

PREFIXES	DESCRIPTION	STRAINER DESIG.	PIPE SIZE	LIST PRICE
ZN415*	D.C.C.I. Body Assembly with Polished Nickel Bronze Top	-6SC	2", 3", 4"	1,537.00
ZB415	D.C.C.I. Body Assembly with Polished Bronze Top	-6SC	2", 3", 4"	1,346.00
Z415	D.C.C.I. Body Assembly ONLY (add "-L/Top" to product sku)	No Strainer	2", 3", 4"	243.00

OUTLETS (SPECIFY PIPE SIZE IN INCHES AND TYPE OF OUTLET)				
OUTLET TYPE		PIPE SIZE/ OUTLET TYPE	E BODY HT. DIM.	ADD
NH	No-Hub	2NH, 3NH, 4NH	3-13/16"	N/C
NL	Neo-Loc	2NL, 3NL, 4NL	3-7/8"	N/C

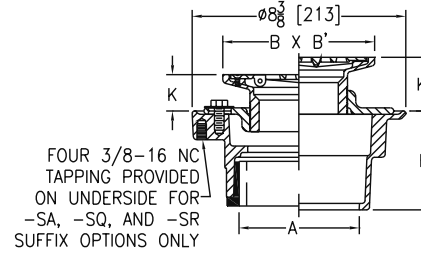
SUFFIXES		ADD	
-AR	Acid Resisting Epoxy Coated Cast Iron	213.00	
-CP	Chrome-Plated Bronze Top	35.00	
-G	Galvanized Cast Iron	247.00	
-GC	Gasketed Cover	107.00	
-LR	Lift Ring	279.00	
-P	Trap Primer Connection (1/2"*)	N/C	
Ⓢ -SA	Stabilizer Assembly (See Z1035)	174.00	
Ⓢ -SQ	Stabilizer Q-deck (See Z1035-Q)	230.00	
Ⓢ -SR	Stabilizer Ring (See Z400-SR)	152.00	
Ⓢ -TC	Neo-Loc Test Cap Gasket (2", 3", 4" NL Bottom Outlet Only)	32.00	
-TS	Top Secured with Slotted Screw	75.00	
-U	1"-3" High Extension Adapter (See Z400-U)	D.C.	176.00
		Galv.	381.00
	For each additional 1" above 3"	123.00	
-V	Backwater Valve (Not Available with -Y)	473.00	
-VP	Vandal-Proof Secured Top	123.00	
-Y	Sediment Bucket (Not Available with -V)	137.00	

Z415 BODY ASSEMBLY WITH "TYPE SH" STRAINER



ENGINEERING SPECIFICATION

Zurn ZN415SH floor and shower drain features Dura-Coated cast iron body with bottom outlet, combination invertible membrane clamp and adjustable collar with seepage slots, and "TYPE SH" polished, nickel bronze, square, hinged, light-duty strainer.



Strainer Designation	Dimensions in inches [mm]						Str. Open Area sq in [cm ²]	Approximate Weight lb [kg]
	A Pipe Size	B x B' Strainer Top Size	K		K'			
			Min.	Max.	Min.	Max.		
-6SH	2 [51], 3 [76], 4 [102]	6 x 6 [152]	1 [25]	1-7/8 [48]	1-3/4 [44]	2-5/8 [67]	12 [77]	13 [6]
-8SH			1-5/32 [29]	2 [51]	2 [51]	3-3/4 [95]		
	6 [152]	8 x 8 [203]					21 [135]	19 [9]

PREFIXES	DESCRIPTION	STRAINER DESIG.	PIPE SIZE	LIST PRICE
ZN415*	D.C.C.I. Body Assembly with Polished Nickel Bronze Top	-6SH	2", 3", 4"	1,301.00
		-8SH	2", 3", 4"	1,720.00
			6"	2,428.00
ZB415	D.C.C.I. Body Assembly with Polished Bronze Top	-6SH	2", 3", 4"	1,253.00
		-8SH	2", 3", 4"	1,593.00
			6"	2,305.00
Z415	D.C.C.I. Body Assembly ONLY (add "-L/Top" to product sku)	No Strainer	2", 3", 4"	243.00
			6"	917.00

OUTLETS (SPECIFY PIPE SIZE IN INCHES AND TYPE OF OUTLET)				
OUTLET TYPE		PIPE SIZE/ OUTLET TYPE	E BODY HT. DIM.	ADD
IP	Threaded	2IP	2-7/16"	102.00
		3IP	2-3/4"	102.00
		4IP	2-13/16"	102.00
		6IP	2-7/8"	102.00
NH	No-Hub	2NH, 3NH, 4NH	3-13/16"	N/C
NL	Neo-Loc	2NL, 3NL, 4NL	3-7/8"	N/C

SUFFIXES		ADD	
-AR	Acid Resisting Epoxy Coated Cast Iron	213.00	
-G	Galvanized Cast Iron	247.00	
-P	Trap Primer Connection (1/2"*)	N/C	
Ⓢ -SA	Stabilizer Assembly (See Z1035)	174.00	
Ⓢ -SQ	Stabilizer Q-deck (See Z1035-Q)	230.00	
Ⓢ -SR	Stabilizer Ring (See Z400-SR)	152.00	
Ⓢ -TC	Neo-Loc Test Cap Gasket (2", 3", 4" NL Bottom Outlet Only)	32.00	
-U	1"-3" High Extension Adapter (See Z400-U)	D.C.	176.00
		Galv.	381.00
	For each additional 1" above 3"	123.00	
-V	Backwater Valve (Not Available with -Y)	473.00	
-VP	Vandal-Proof Secured Top	75.00	
-Y	Sediment Bucket (Not Available with -V)	137.00	
-90	90° Threaded Side Outlet Body Assembly (2" and 3" Only)	273.00	

*Regularly furnished unless otherwise specified.

Items designated as Best Sellers are most specified and are generally in stock for shipment.

Ⓢ This symbol denotes a product that is engineered to reduce installation and rework time.

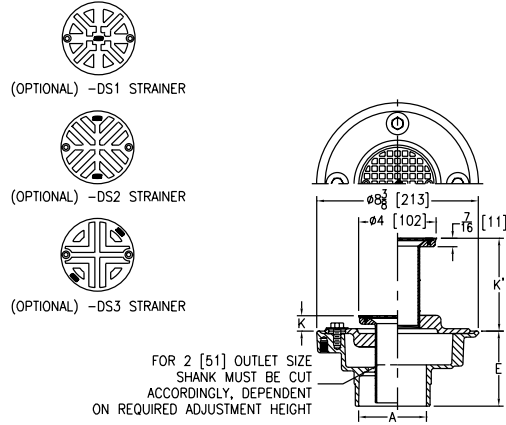
For additional product information, please visit www.zurn.com

Z420 DEEP SHANK FLOOR AND SHOWER DRAIN FOR MARBLE AND GRANITE APPLICATIONS



ENGINEERING SPECIFICATION

Zurn ZN420 deep shank floor and shower drain features white acid resisting coated cast iron body and invertible membrane clamp with seepage slots, polished nickel bronze adjustable head with 2" N.P.S.M. shank, and 4" diameter round, secured strainer.

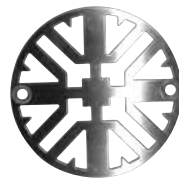


Dimensions in inches [mm]					Str. Open Area sq in [cm ²]	Approximate Weight lb [kg]
A Pipe Size	K		K'			
	Min.	Max.	Min.	Max.		
2 [51], 3 [76], 4 [102]	13/16 [21]	3-3/4 [95]	1-1/4 [32]	4-13/16 [122]	5 [32]	15 [7]
6 [152]						13 [6]

PREFIXES	DESCRIPTION	PIPE SIZE	LIST PRICE
ZN420*	White A.R.C. Cast Iron Body and Collar with Polished Nickel Bronze Top	2", 3", 4"	876.00
		6"	2,447.00
ZB420	White A.R.C. Cast Iron Body and Collar with Polished Bronze Top	2", 3", 4"	831.00
		6"	2,166.00

OUTLETS (SPECIFY PIPE SIZE IN INCHES AND TYPE OF OUTLET)			
OUTLET TYPE	PIPE SIZE/ OUTLET TYPE	E BODY HT. DIM.	ADD
IC	Inside Caulk	2IC, 3IC, 4IC	4-13/16" N/C
IP	Threaded	2IP	2-7/16" 102.00
		3IP	2-3/4" 102.00
		4IP	2-13/16" 102.00
		6IP	2-7/8" 102.00
NH	No-Hub	2NH, 3NH, 4NH	3-13/16" N/C
NL	Neo-Loc	2NL, 3NL, 4NL	3-7/8" N/C

SUFFIXES	ADD
-DS1	Decorative Strainer N/C
-DS2	Decorative Strainer N/C
-DS3	Decorative Strainer N/C
-G	Galvanized Cast Iron 237.00
-P	Trap Primer Connection (1/2") N/C
Ⓢ -SA	Stabilizer Assembly (See Z1035) 174.00
Ⓢ -SQ	Stabilizer Q-deck (See Z1035-Q) 230.00
Ⓢ -SR	Stabilizer Ring (See Z400-SR) 152.00
Ⓢ -TC	Neo-Loc Test Cap Gasket (2", 3", 4" NL Bottom Outlet Only) 32.00
-VP	Vandal-Proof Secured Top 75.00



-DS1 Option



-DS2 Option



-DS3 Option

Z450 DRUM TRAP DRAIN WITH "TYPE B" STRAINER

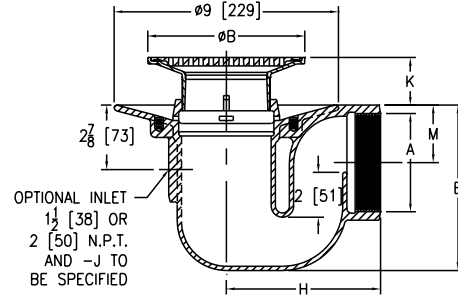


ENGINEERING SPECIFICATION

Zurn ZN450B drum trap floor and shower drain features Dura-Coated cast iron body with integral trap, side outlet, seepage pan, and adjustable "TYPE B" polished, nickel bronze strainer.

NOTES

For other available strainer variations, see our Z400 Strainer Series. Add price for required strainer to "BODY ONLY" price in chart. Specify strainer designation required.



Strainer Designation	Dimensions in inches [mm]								Str. Open Area sq in [cm ²]	Approximate Weight lb [kg]
	A Pipe Size	B Diameter	H		K		M			
			IP	NH	Min.	Max.	IP	NH		
-5B	2 [51]	5 [127]	6-1/16 [154]	11 [279]	7/8 [22]	2 [51]	1-15/32 [37]	2 [51]	8 [52]	18 [8]
	3 [76]		6-7/16 [164]				2-3/32 [53]	2-9/16 [65]		
	4 [102]		6-7/8 [175]				2-19/32 [66]	2-19/32 [66]		
-6B	2 [51]	6 [152]	6-1/16 [154]		1-1/8 [29]	2-1/4 [57]	1-15/32 [37]	2 [51]	9 [58]	19 [9]
	3 [76]		6-7/16 [164]				2-3/32 [53]	2-9/16 [65]		
	4 [102]		6-7/8 [175]				2-19/32 [66]	2-19/32 [66]		
-8B	2 [51]	8 [203]	6-1/16 [154]		1-1/2 [38]	2-5/8 [67]	1-15/32 [37]	2 [51]	18 [116]	33 [15]
	3 [76]		6-7/16 [164]				2-3/32 [53]	2-9/16 [65]		
	4 [102]		6-7/8 [175]				2-19/32 [66]	2-19/32 [66]		

PREFIXES	DESCRIPTION	STRAINER DESIG.	PIPE SIZE	LIST PRICE
ZN450B*	D.C.C.I. Body Assembly with Polished Nickel Bronze Top	-5B	2", 3"	1,120.00
			4"	1,547.00
		-6B	2", 3"	1,258.00
			4"	1,687.00
		-8B	2", 3"	1,596.00
			4"	2,027.00
ZB450B	D.C.C.I. Body Assembly with Polished Bronze Top	-5B	2", 3"	1,087.00
			4"	1,515.00
		-6B	2", 3"	1,183.00
			4"	1,612.00
		-8B	2", 3"	1,541.00
			4"	1,968.00
Z450	D.C.C.I. Body Assembly ONLY (add "-L/Top" to product sku)	No Strainer	2", 3"	737.00
			4"	1,166.00

SUFFIXES	ADD
-C Clamp Collar	N/C
-G Galvanized Cast Iron	514.00
-P Trap Primer Connection (1/2"*)	187.00
-PC Protective Cover	81.00
-U 1"-3" High Extension Adapter (See Z400-U)	D.C. 176.00
	Galv. 381.00
For each additional 1" above 3"	
-V Backwater Valve (Not Available with -Y) (Ball Float Type)	482.00
-VP Vandal-Proof Secured Top	75.00
-Y Sediment Bucket (Not Available with -V)	137.00

OUTLETS (SPECIFY PIPE SIZE IN INCHES AND TYPE OF OUTLET)				
OUTLET TYPE		PIPE SIZE/ OUTLET TYPE	E BODY HT. DIM.	ADD
IP	Threaded	2IP, 3IP	6-17/32"	N/C
		4IP	7-7/16"	N/C
NH	No-Hub	2NH, 3NH	7-7/16"	N/C
		4NH	7-7/16"	N/C

*Regularly furnished unless otherwise specified.

Items designated as Best Sellers are most specified and are generally in stock for shipment.

⌚ This symbol denotes a product that is engineered to reduce installation and rework time.

For additional product information, please visit www.zurn.com

INTRO ROOF DRAINS FLOOR DRAINS T, P, BW VALVES INTERCEPTORS CARRIERS HYDRANTS CLEANOUTS WHA SS DRAINS SAN-FLOOR TECH INFO

Z451 SHALLOW TRAP DRAIN WITH "TYPE B" STRAINER

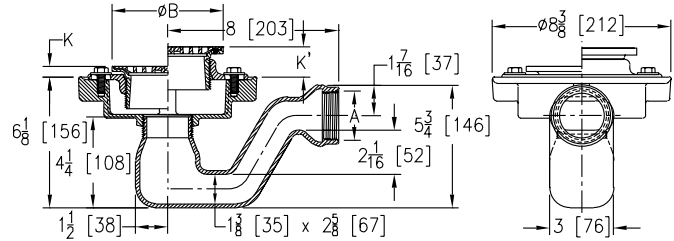


ENGINEERING SPECIFICATION

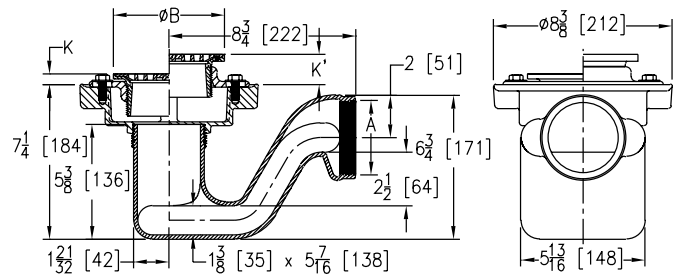
Zurn ZN451B Shallow trap floor and shower drain features Dura-Coated cast iron body with bottom outlet, combination invertible membrane clamp and adjustable collar with seepage slots, adjustable "TYPE B" polished, nickel bronze, heel-proof strainer, and cast iron shallow trap body with 2" or 3" waterway and threaded side outlet.

NOTES

For other available strainer variations, see our Z400 Strainer Series. Add price for required strainer to "BODY ONLY" price in chart. Specify strainer designation required.



-2IP Option Shown



-3IP Option Shown

Strainer Designation	Dimensions in inches [mm]						Str. Open Area sq in [cm ²]	Approximate Weight lb [kg]
	A Pipe Size	B Diameter	K		K'			
			Min.	Max.	Min.	Max.		
-5B	2 [51], 3 [76]	5 [127]	1 [25]	1-1/2 [38]	1-3/32 [27]	2-1/4 [57]	8 [52]	15 [7]
-6B		6 [152]		1-25/32 [45]	1-13/32 [36]	2-17/32 [64]	9 [58]	18 [8]
-7B		7 [178]		2-1/8 [54]	1-23/32 [44]	2-7/8 [73]	12 [77]	20 [9]
-8B	3 [76]	8 [203]	1-5/32 [29]	1-3/4 [44]		18 [116]	21 [10]	

PREFIXES	DESCRIPTION	STRAINER DESIG.	PIPE SIZE	LIST PRICE
ZN451B*	D.C.C.I. Body Assembly with Polished Nickel Bronze Top	-5B	2", 3"	1,115.00
		-6B	2", 3"	1,253.00
		-7B	2", 3"	1,371.00
		-8B	3"	1,593.00
ZB451B	D.C.C.I. Body Assembly with Polished Bronze Top	-5B	2", 3"	1,082.00
		-6B	2", 3"	1,180.00
		-7B	2", 3"	1,323.00
		-8B	3"	1,538.00
Z451	D.C.C.I. Body Assembly ONLY (add "-L/Top" to product sku)	No Strainer	2", 3"	679.00

OUTLETS (SPECIFY PIPE SIZE IN INCHES AND TYPE OF OUTLET)			
OUTLET TYPE	PIPE SIZE/OUTLET TYPE	E BODY HT. DIM.	ADD
IP	Threaded	2IP, 3IP	6-17/32" N/C

SUFFIXES	ADD
-CP	Chrome-Plated Bronze Top 35.00
-G	Galvanized Cast Iron 487.00
-P	Trap Primer Connection (1/2") N/C
⊕ -PC	Protective Cover 81.00
-U	1"-3" High Extension Adapter (See Z400-U) 176.00
	For each additional 1" above 3" 123.00
-V	Backwater Valve (Not Available with -Y) 473.00
-VP	Vandal-Proof Secured Top 75.00
-Y	Sediment Bucket (Not Available with -V) 137.00

For additional product information, please visit www.zurn.com

*Regularly furnished unless otherwise specified.

Items designated as Best Sellers are most specified and are generally in stock for shipment.

⊕ This symbol denotes a product that is engineered to reduce installation and rework time.

Z453 DEEP SEAL TRAP DRAIN WITH "TYPE B" STRAINER

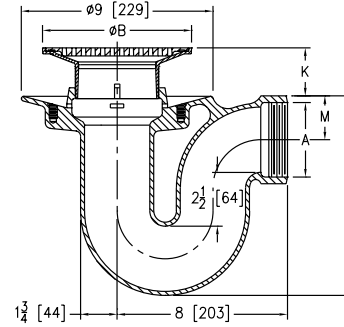


ENGINEERING SPECIFICATION

Zurn ZN453B deep seal trap floor and shower drain features Dura-Coated cast iron body with uniform diameter integral trap, side outlet, seepage pan, and adjustable "TYPE B" polished, nickel bronze light-duty strainer.

NOTES

For other available strainer variations, see our Z400 Strainer Series. Add price for required strainer to "BODY ONLY" price in chart. Specify strainer designation required.



Strainer Designation	Dimensions in inches [mm]				Str. Open Area sq in [cm ²]	Approximate Weight lb [kg]	
	A Pipe Size	B Diameter	K				M
			Min.	Max.			
-5B	2 [51], 3 [76]	5 [127]	3/4 [19]	1-7/8 [48]	2-1/8 [54]	8 [52]	
	4 [102]					30 [14]	
-6B	2 [51], 3 [76]	6 [152]	1-1/8 [29]	2-1/8 [54]		9 [58]	
	4 [102]					31 [14]	
-7B	2 [51], 3 [76]	7 [178]	1-3/8 [35]	2-1/2 [64]	12 [77]		
	4 [102]				32 [15]		
-8B	4 [102]	8 [203]			18 [116]	33 [15]	

PREFIXES	DESCRIPTION	STRAINER DESIG.	PIPE SIZE	LIST PRICE			
ZN453B*	D.C.C.I. Body Assembly with Polished Nickel Bronze Top	-5B	2", 3"	1,246.00			
			4"	1,371.00			
		-6B	2", 3"	1,382.00			
			4"	1,510.00			
		-7B	2", 3"	1,503.00			
			4"	1,625.00			
		-8B	4"	1,853.00			
			ZB453B	D.C.C.I. Body Assembly with Polished Bronze Top	-5B	2", 3"	1,214.00
					4"	1,341.00	
			-6B	2", 3"	1,310.00		
4"	1,436.00						
-7B	2", 3"	1,456.00					
	4"	1,582.00					
-8B	4"	1,793.00					
	Z453	D.C.C.I. Body Assembly ONLY (add "-L/Top" to product sku)	No Strainer	2", 3"	867.00		
			4"	992.00			

SUFFIXES	ADD	
-C	Clamp Collar	N/C
-P	Trap Primer Connection (1/2"*)	187.00
-PC	Protective Cover	81.00
-U	1"-3" High Extension Adapter (See Z400-U) D.C.	176.00
	For each additional 1" above 3"	123.00
-vp	Vandal-Proof Secured Top	75.00
-Y	Sediment Bucket	137.00

OUTLETS (SPECIFY PIPE SIZE IN INCHES AND TYPE OF OUTLET)

OUTLET TYPE	PIPE SIZE/ OUTLET TYPE	E BODY HT. DIM.	ADD	
IP	Threaded	2IP, 3IP, 4IP	9-3/8"	N/C
NH	No-Hub	2NH, 3NH, 4NH	9-3/8"	N/C

*Regularly furnished unless otherwise specified.

Items designated as Best Sellers are most specified and are generally in stock for shipment.

⌚ This symbol denotes a product that is engineered to reduce installation and rework time.

For additional product information, please visit www.zurn.com

INTRO
ROOF DRAINS
FLOOR DRAINS
I, P, BW VALVES
INTERCEPTORS
CARRIERS
HYDRANTS
CLEANOUTS
WHA
SS DRAINS
SANI-FLOOR
TECH INFO

Z455 TRAP DRAIN WITH FLOOR CLEANOUT WITH "TYPE B" STRAINER

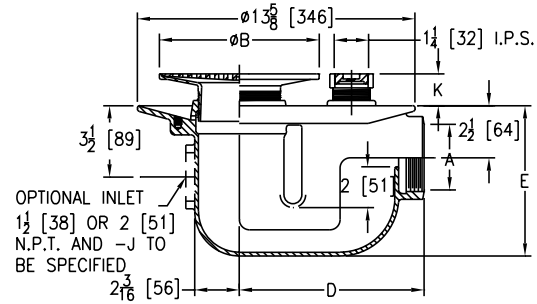


ENGINEERING SPECIFICATION

Zurn ZN455B floor and shower trap drain features Dura-Coated cast iron body with integral trap, side outlet, seepage pan, floor level cleanout, and adjustable "TYPE B" polished, nickel bronze, light-duty strainer.

NOTES

For other available strainer variations, see our Z400 Strainer Series. Add price for required strainer to "BODY ONLY" price in chart. Specify strainer designation required.



Strainer Designation	Dimensions in inches [mm]				Str. Open Area sq in [cm ²]	Approximate Weight lb [kg]
	A Pipe Size	B Diameter	K			
			Min.	Max.		
-5B	2 [51], 3 [76], 4 [102]	5 [127]	7/8 [22]	2 [51]	8 [52]	37 [17]
-6B		6 [152]	1-1/8 [29]	2-1/4 [57]	9 [58]	39 [18]
-7B		7 [178]	1-1/2 [38]	2-5/8 [67]	12 [77]	41 [19]
-8B		8 [203]			18 [116]	43 [20]

PREFIXES	DESCRIPTION	STRAINER DESIG.	PIPE SIZE	LIST PRICE
ZN455B*	D.C.C.I. Body Assembly with Polished Nickel Bronze Top	-5B	2", 3", 4"	1,855.00
		-6B	2", 3", 4"	1,995.00
		-7B	2", 3", 4"	2,110.00
		-8B	2", 3", 4"	2,335.00
Z455	D.C.C.I. Body Assembly ONLY (add "-L/Top" to product sku)	No Strainer	2", 3", 4"	1,475.00
OUTLETS (SPECIFY PIPE SIZE IN INCHES AND TYPE OF OUTLET)				
OUTLET TYPE		PIPE SIZE/ OUTLET TYPE	E BODY HT. DIM.	ADD
IP	Threaded	2IP, 3IP	7-3/8"	N/C
		4IP	7-3/8"	N/C
NH	No-Hub	2NH, 3NH, 4NH	7-3/8"	N/C

SUFFIXES	ADD
-C	Clamping Collar N/C
-FC	Flush Cover for Plug 146.00
-P	Trap Primer Connection (1/2"*) 187.00
Ⓢ -PC	Protective Cover 81.00
-V	Backwater Valve-Ball Float Type (Not Available with -Y) 495.00
-VP	Vandal-Proof Secured Top 75.00
-Y	Sediment Bucket (Not Available with -V) 137.00

Z456 DEEP SEAL TRAP DRAIN WITH FLOOR CLEANOUT AND CLAMP COLLAR WITH "TYPE B" STRAINER

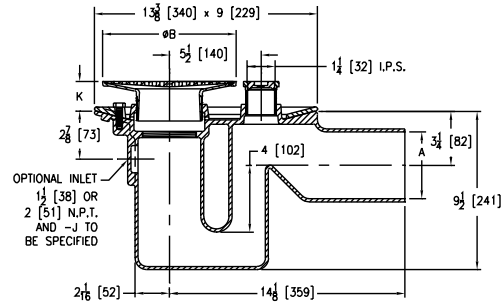


ENGINEERING SPECIFICATION

Zurn ZN456B floor and shower drain features Dura-Coated cast iron body, deep seal integral trap with clamp collar, seepage pan, floor level cleanout, and adjustable "Type B" polished, nickel bronze strainer.

NOTES

For other available strainer variations, see our Z400 Strainer Series. Add price for required strainer to "BODY ONLY" price in chart. Specify strainer designation required.



Strainer Designation	Dimensions in inches [mm]				Str. Open Area sq in [cm ²]	Approximate Weight lb [kg]
	A Pipe Size	B Diameter	K			
			Min.	Max.		
-5B	2 [51], 3 [76], 4 [102]	5 [127]	1-1/4 [32]	2 [51]	8 [52]	41 [19]
-6B		6 [152]	1-1/8 [29]	2-1/4 [57]	9 [58]	43 [20]
-7B		7 [178]	1-1/2 [38]	2-5/8 [67]	12 [77]	45 [20]
-8B		8 [203]			18 [116]	47 [21]

PREFIXES	DESCRIPTION	STRAINER DESIG.	PIPE SIZE	LIST PRICE
ZN456B*	D.C.C.I. Body Assembly with Polished Nickel Bronze Top	-5B	2", 3", 4"	1,897.00
		-6B	2", 3", 4"	2,040.00
		-7B	2", 3", 4"	2,153.00
		-8B	2", 3", 4"	2,377.00
Z456	D.C.C.I. Body Assembly ONLY (add "-L/Top" to product sku)	No Strainer	2", 3", 4"	1,519.00
OUTLETS (SPECIFY PIPE SIZE IN INCHES AND TYPE OF OUTLET)				
OUTLET TYPE	PIPE SIZE/OUTLET TYPE	ADD		
NH	No-Hub	2NH, 3NH, 4NH	N/C	

SUFFIXES	ADD
-AR	Acid Resisting Epoxy Coated Cast Iron 970.00
-G	Galvanized Cast Iron 575.00
-P	Trap Primer Connection (1/2") 187.00
-PC	Protective Cover 81.00
-V	Backwater Valve-Ball Float Type (Not Available with -Y) 495.00
-VP	Vandal-Proof Secured Top 75.00
-Y	Sediment Bucket (Not Available with -V) 137.00
BEST SELLER LIST PRICE	
ZN456-2NH-5B	1,897.00

*Regularly furnished unless otherwise specified.

Items designated as Best Sellers are most specified and are generally in stock for shipment.

⌚ This symbol denotes a product that is engineered to reduce installation and rework time.

For additional product information, please visit www.zurn.com

Z460B SHALLOW BODY FLOOR DRAIN WITH SIDE OUTLET AND "TYPE B" STRAINER

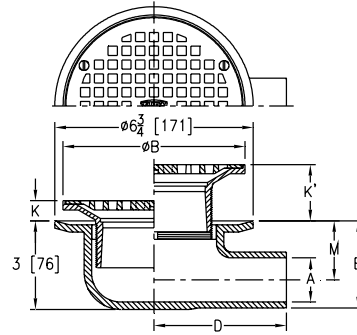


ENGINEERING SPECIFICATION

Zurn ZN460B shallow body floor and shower drain features Dura-Coated cast iron body with side outlet, seepage slots, and integral threaded connection for "TYPE B" polished nickel bronze light-duty strainer.

NOTES

For other available strainer variations, see our Z400 Strainer Series. Add price for required strainer to "BODY ONLY" price in chart. Specify strainer designation required.



Strainer Designation	Dimensions in inches [mm]					Str. Open Area sq in [cm ²]	Approximate Weight lb [kg]
	A Pipe Size	B Diameter	K Min.	K Max.	M		
-5B	1-1/2 [38]	5 [127]	15/32 [12]	1-5/8 [41]	2 [51]	8 [52]	8 [4]
	2 [51]				1-25/32 [45]		
-6B	1-1/2 [38]	6 [152]	11/16 [17]	1-29/32 [48]	2 [51]	9 [58]	9 [4]
	2 [51]				1-25/32 [45]		
-7B	1-1/2 [38]	7 [178]	1 [25]	2-1/4 [57]	2 [51]	12 [77]	10 [5]
	2 [51]				1-25/32 [45]		

PREFIXES	DESCRIPTION	STRAINER DESIG.	PIPE SIZE	LIST PRICE
ZN460B*	D.C.C.I. Body Assembly with Polished Nickel Bronze Top	-5B	1-1/2", 2"	836.00
		-6B	1-1/2", 2"	976.00
		-7B	1-1/2", 2"	1,094.00
ZB460B	D.C.C.I. Body Assembly with Polished Bronze Top	-5B	1-1/2", 2"	806.00
		-6B	1-1/2", 2"	901.00
		-7B	1-1/2", 2"	1,046.00
Z460	D.C.C.I. Body Assembly ONLY (add "-L/Top" to product sku)	No Strainer	1-1/2", 2"	464.00

OUTLETS (SPECIFY PIPE SIZE IN INCHES AND TYPE OF OUTLET)				
OUTLET TYPE		PIPE SIZE/ OUTLET TYPE	E BODY HT. DIM.	ADD
IP	Threaded	1-1/2IP	3-5/32"	102.00
		2IP	3-7/32"	102.00
NH	No-Hub	1-1/2NH, 2NH	2-31/32"	N/C

SUFFIXES	ADD
-C	Clamp Collar 109.00
-CP	Chrome-Plated Bronze Top 35.00
-G	Galvanized Cast Iron 367.00
-PC	Protective Cover 81.00
-VP	Vandal-Proof Secured Top 75.00
-Y	Sediment Bucket 137.00
BEST SELLERS LIST PRICE	
ZB460-2IP-5B-VP-G	1,248.00
ZB460-2NH-5B-C-CP	950.00
ZN460-2NH-5B	836.00

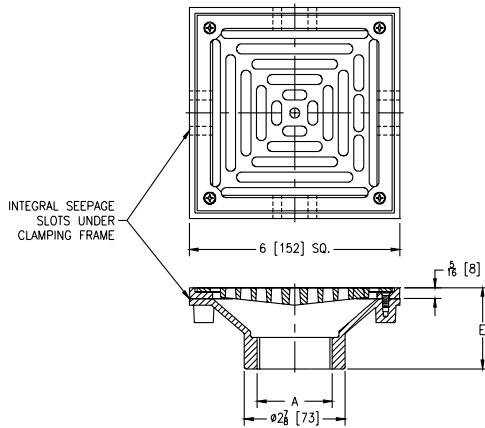
Z461 6" SQUARE MODULAR NON-ADJUSTABLE FLOOR DRAIN WITH CLAMPING FRAME



ENGINEERING SPECIFICATION

Zurn Z461 floor and shower drain features Dura-Coated cast iron, low profile body with 2" bottom outlet, combination nickel bronze membrane clamp and frame with seepage slots, and square heel-proof, slotted, light-duty, secured strainer.

A Pipe Size inch [mm]	Grate Open Area sq in [cm ²]	Approximate Weight lb [kg]
2 [51]	13 [84]	5 [2]



PREFIXES	DESCRIPTION	PIPE SIZE	LIST PRICE
ZN461*	D.C.C.I. Body Assembly with Polished Bronze Top	2"	991.00
OUTLETS (SPECIFY PIPE SIZE IN INCHES AND TYPE OF OUTLET)			
OUTLET TYPE	PIPE SIZE/OUTLET TYPE	E BODY HT. DIM.	ADD
IP	Threaded	2IP	2-5/16" N/C
SUFFIXES			ADD
-AR	Acid Resisting Epoxy Coated Cast Iron		213.00
-CP	Chrome-Plated Top		35.00
-DP	Decorative Polished Top		213.00
-G	Galvanized Cast Iron		247.00
-PC	Protective Cover		81.00
-VP	Vandal-Proof Secured Top		75.00

Z503 15" HEAVY-DUTY AREA DRAIN



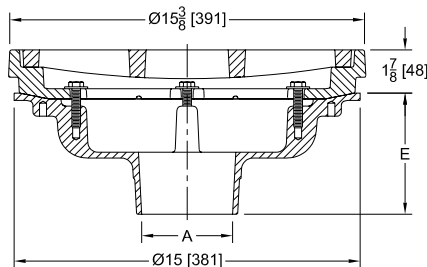
ENGINEERING SPECIFICATION

Zurn Z503 15-3/8" diameter top drain features Dura-Coated cast iron body with bottom outlet, seepage pan, and heavy-duty, anti-tilt, slotted grate.

NOTES

†Add 3/16" to 1-7/8" dimension for ZN

A Pipe Size inch [mm]	Grate Open Area sq in [cm ²]	Approximate Weight lb [kg]
2 [51], 3 [76], 4 [102]	53 [242]	65 [29]
6 [152]		62 [28]
8 [203]		63 [29]



PREFIXES	DESCRIPTION	PIPE SIZE	LIST PRICE
Z503*	D.C.C.I. Body and Top	2", 3", 4", 6", 8"	3,558.00
ZN503	D.C.C.I. Body Assembly with Polished Nickel Bronze Top	2", 3", 4", 6", 8"	5,274.00
OUTLETS (SPECIFY PIPE SIZE IN INCHES AND TYPE OF OUTLET)			
OUTLET TYPE	PIPE SIZE/OUTLET TYPE	E BODY HT. DIM.	ADD
IC	Inside Caulk	3IC, 4IC, 6IC	5-1/4" N/C
IG	Inside Gasket	3IG, 4IG, 6IG	5-1/4" N/C
NH	No-Hub	2NH, 3NH, 4NH, 6NH, 8NH	5-1/4" 102.00
NL	Neo-Loc	2NL, 3NL, 4NL	4-5/8" N/C
SUFFIXES			ADD
-AR	Acid Resisting Epoxy Coated Cast Iron		1,144.00
-DG	Duresist Grate		814.00
-G	Galvanized Cast Iron		1,300.00
-S	Secondary Strainer		123.00
-TC	Neo-Loc Test Cap Gasket (2", 3", 4" NL Bottom Outlet Only)		32.00
-TS	Top Secured with Slotted Screws		162.00
-V	Backwater Valve-Ball Float Type		N/C
-VP	Vandal-Proof Secured Top		183.00
-Y	Sediment Bucket		391.00
BEST SELLER			LIST PRICE
Z503-4NL			3,558.00

*Regularly furnished unless otherwise specified.

Items designated as Best Sellers are most specified and are generally in stock for shipment.

⌚ This symbol denotes a product that is engineered to reduce installation and rework time.

For additional product information, please visit www.zurn.com

Z505 12" HEAVY-DUTY DRAIN



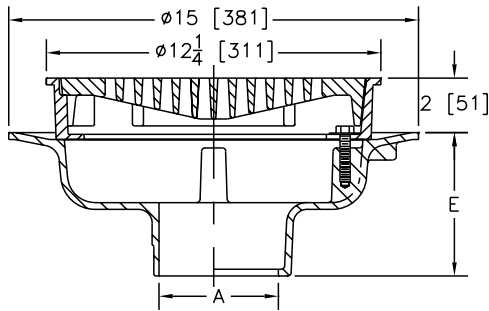
ENGINEERING SPECIFICATION

Zurn Z505 12-1/4" diameter top drain features Dura-Coated cast iron body with bottom outlet, seepage pan and combination membrane flashing clamp and frame with integral trap primer and plug for heavy-duty, deep flange, slotted grate with sediment bucket.

NOTES

†Add 3/16" to 2" dimension and 3/4" to 12-1/4" dimension for ZN

A Pipe Size inch [mm]	Grate Open Area sq in [cm ²]	Approximate Weight lb [kg]
2 [51], 3 [76], 4 [102], 6 [152]	30 [194]	39 [18]
8 [203]		41 [19]



PREFIXES	DESCRIPTION	PIPE SIZE	LIST PRICE
Z505*	D.C.C.I. Body and Top	2", 3", 4", 6"	1,577.00
		8"	1,953.00
ZN505	D.C.C.I. Body Assembly with Polished Nickel Bronze Top	2", 3", 4", 6"	2,492.00
		8"	2,870.00

OUTLETS (SPECIFY PIPE SIZE IN INCHES AND TYPE OF OUTLET)			
OUTLET TYPE	PIPE SIZE/OUTLET TYPE	E BODY HT. DIM.	ADD
IC	Inside Caulk	3IC, 4IC, 6IC	5-1/4" N/C
IG	Inside Gasket	3IG, 4IG, 6IG	5-1/4" N/C
IP	Threaded	2IP, 3IP, 4IP, 6IP, 8IP	3-3/4" 102.00
NH	No-Hub	2NH, 3NH, 4NH, 6NH, 8NH	5-1/4" N/C
NL	Neo-Loc	2NL, 3NL, 4NL	4-5/8" N/C
SUFFIXES			ADD

-AR	Acid Resisting Epoxy Coated Cast Iron	1,055.00
-F	Extension Frame - Per Inch (Specify Height)	156.00
-G	Galvanized Cast Iron	802.00
-HT	Square Hinged Grate	305.00
-S	Secondary Strainer	79.00
Ⓢ -SA	Stabilizer Assembly (See Z1036)	184.00
-SC	Solid Cover	723.00
-SS	Stainless Mesh Liner for Bucket	518.00
-T	Square Top	284.00
Ⓢ -TC	Neo-Loc Test Cap Gasket (2", 3", 4" NL Bottom Outlet Only)	32.00
-TS	Top Secured with Slotted Screws	186.00
-TSP	Trap Seal Protection Device (Size Matches Drain Outlet Selected, See Z1072)	POA
-V	Backwater Valve-Ball Float Type	N/C
-VP	Vandal-Proof Secured Top	165.00
-90	90° Threaded Side Outlet Body Assembly (2", 3", 4", 6" Only)	453.00

BEST SELLERS	LIST PRICE
Z505-3NH	1,577.00
Z505-3NL	1,577.00
Z505-4NH	1,577.00
Z505-4NL	1,577.00
Z505-6NH	1,577.00
Z505-8NH	1,953.00

Z507 7" MEDIUM-DUTY DRAIN



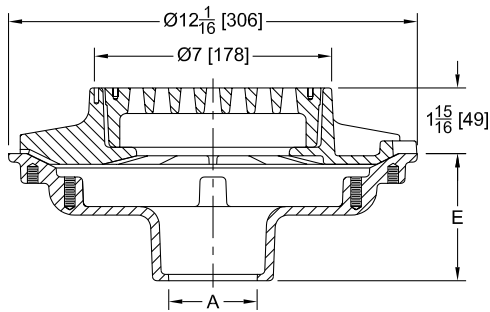
ENGINEERING SPECIFICATION

Zurn Z507 7" diameter top drain features Dura-Coated cast iron body with bottom outlet, seepage pan, and combination membrane flashing clamp and frame for medium-duty, cast iron, deep flange, slotted grate.

NOTES

†Add 3/16" to 1-1/2" or 1-15/16" dimension for ZN

A Pipe Size inch [mm]	Grate Open Area sq in [cm ²]	Approximate Weight lb [kg]
2 [51], 3 [76], 4 [102]	9 [58]	27 [12]
6 [152]		29 [13]



PREFIXES	DESCRIPTION	PIPE SIZE	LIST PRICE
Z507*	D.C.C.I. Body and Top	2", 3", 4", 6"	576.00
ZN507	D.C.C.I. Body Assembly with Polished Nickel Bronze Top	2", 3", 4", 6"	974.00

OUTLETS (SPECIFY PIPE SIZE IN INCHES AND TYPE OF OUTLET)				
OUTLET TYPE		PIPE SIZE/ OUTLET TYPE	E BODY HT. DIM.	ADD
IC	Inside Caulk	4IC	3-3/4"	N/C
IG	Inside Gasket	4IG	3-3/4"	N/C
IP	Threaded	3IP, 4IP	2-3/4"	102.00
NH	No-Hub	2NH, 3NH, 4NH	4-3/4"	N/C
		6NH	5-1/4"	N/C
NL	Neo-Loc	2NL, 3NL, 4NL	3-9/16"	N/C

SUFFIXES			ADD
-AR	Acid Resisting Epoxy Coated Cast Iron		1,055.00
-G	Galvanized Cast Iron		263.00
-P	Trap Primer Connection		187.00
Ⓢ -TC	Neo-Loc Test Cap Gasket (3", 4" NL Bottom Outlet Only)		32.00
-TS	Top Secured with Slotted Screws		162.00
-VP	Vandal-Proof Secured Top		186.00
-Y	Sediment Bucket		78.00

BEST SELLER		LIST PRICE
Z507-4NH		576.00

*Regularly furnished unless otherwise specified.

Items designated as Best Sellers are most specified and are generally in stock for shipment.

Ⓢ This symbol denotes a product that is engineered to reduce installation and rework time.

For additional product information, please visit www.zurn.com

Z508 9" EXTRA-HEAVY-DUTY DRAIN



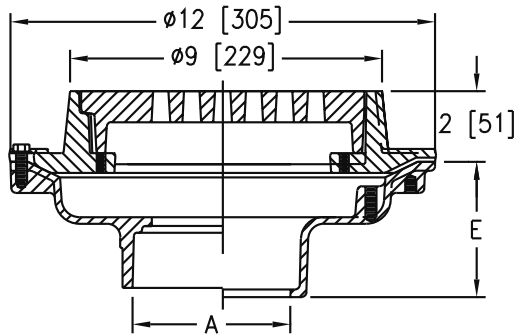
ENGINEERING SPECIFICATION

Zurn Z508 9" diameter top drain features Dura-Coated cast iron body with bottom outlet, seepage pan, and combination membrane flashing clamp and frame with integrated trap primer and plug for extra heavy-duty, cast iron, deep flange, slotted Duresist grate with sediment bucket.

NOTES

†Add 3/16" to 2" dimension and 3/4" to 9" dimension for ZN

A Pipe Size inch [mm]	Grate Open Area sq in [cm ²]	Approximate Weight lb [kg]
2 [51], 3 [76], 4 [102]	18 [116]	21 [10]
6 [152]		25 [11]



PREFIXES	DESCRIPTION	PIPE SIZE	LIST PRICE
Z508*	D.C.C.I. Body and Top	2", 3", 4"	829.00
		6"	990.00
ZN508	D.C.C.I. Body Assembly with Polished Nickel Bronze Top	2", 3", 4"	1,507.00
		6"	1,680.00

OUTLETS (SPECIFY PIPE SIZE IN INCHES AND TYPE OF OUTLET)				
OUTLET TYPE		PIPE SIZE/ OUTLET TYPE	E BODY HT. DIM.	ADD
IC	Inside Caulk	4IC	3-3/4"	N/C
IG	Inside Gasket	4IG	3-3/4"	N/C
IP	Threaded	4IP	2-3/4"	102.00
NH	No-Hub	2NH, 3NH, 4NH	4-3/4"	N/C
		6NH	5-1/4"	N/C
NL	Neo-Loc	2NL, 3NL, 4NL	3-9/16"	N/C

SUFFIXES		ADD
-AR	Acid Resisting Epoxy Coated Cast Iron	623.00
-G	Galvanized Cast Iron	489.00
-S	Secondary Strainer	60.00
-SC	Solid Cover with Lift Handle	601.00
-SG	Solid Gasketed Cover with Handle	721.00
Ⓢ -TC	Neo-Loc Test Cap Gasket (2", 3", 4" NL Bottom Outlet Only)	32.00
-TS	Top Secured with Slotted Screws	162.00
-TSP	Trap Seal Protection Device (Size Matches Drain Outlet Selected, See Z1072)	POA
-VP	Vandal-Proof Secured Top	186.00
-90	90° Threaded Side Outlet Body Assembly (2", 3", 4")	422.00

BEST SELLERS	LIST PRICE
Z508-3NH	829.00
Z508-3NH-HP	829.00
Z508-3NL	829.00
Z508-4NH	829.00
Z508-4NL	829.00
Z508-6NH	990.00

Z509 12-1/4" HEAVY-DUTY DRAIN



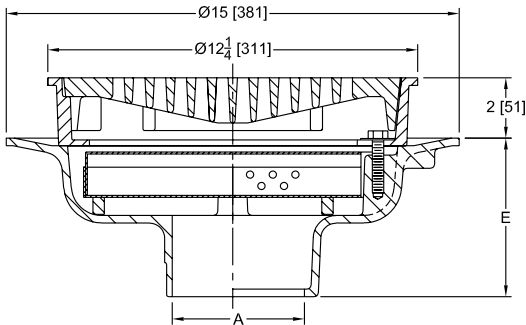
ENGINEERING SPECIFICATION

Zurn Z509 12-1/4" diameter top drain features Dura-Coated cast iron body with bottom outlet, seepage pan, and combination membrane flashing clamp and frame for heavy-duty deep flange slotted Duresist grate with sediment bucket.

NOTES

†Add 3/16" to 2" dimension and 3/4" to 12-1/4" dimension for ZN

A Pipe Size inch [mm]	Grate Open Area sq in [cm ²]	Approximate Weight lb [kg]
2 [51], 3 [76], 4 [102], 6 [152]	30 [194]	39 [18]
8 [203]		41 [19]



PREFIXES	DESCRIPTION	PIPE SIZE	LIST PRICE
Z509*	D.C.C.I. Body and Top	2", 3", 4", 6", 8"	1,413.00
ZN509	D.C.C.I. Body Assembly with Polished Nickel Bronze Top	2", 3", 4", 6", 8"	2,309.00

OUTLETS (SPECIFY PIPE SIZE IN INCHES AND TYPE OF OUTLET)				
OUTLET TYPE		PIPE SIZE/OUTLET TYPE	E BODY HT. DIM.	ADD
IC	Inside Caulk	3IC, 4IC, 6IC	5-1/4"	N/C
IG	Inside Gasket	3IG, 4IG, 6IG	5-1/4"	N/C
IP	Threaded	2IP, 3IP, 4IP, 6IP, 8IP	3-3/4"	102.00
NH	No-Hub	2NH, 3NH, 4NH, 6NH, 8NH	5-1/4"	N/C
		6NH (IP w/Z1040)	5-1/4"	N/C
NL	Neo-Loc	2NL, 3NL, 4NL	4-5/8"	N/C

SUFFIXES			ADD
-AR	Acid Resisting Epoxy Coated Cast Iron		1,055.00
-G	Galvanized Cast Iron		702.00
-HP	Heel-Proof Grate		N/C
-P	Trap Primer Connection		187.00
-S	Secondary Strainer		75.00
-T	Square Top	Z	428.00
		ZN	607.00
⌚ -TC	Neo-Loc Test Cap Gasket (2", 3", 4" NL Bottom Outlet Only)		32.00
-TS	Top Secured with Slotted Screws		162.00
-TSP	Trap Seal Protection Device (Size Matches Drain Outlet Selected, See Z1072)		POA
-V	Backwater Valve-Ball Float Type (See Z1099)		N/C
-VP	Vandal-Proof Secured Top		186.00

BEST SELLERS		LIST PRICE
Z509-3NL		1,413.00
Z509-3NL-HP		1,413.00
Z509-4NH		1,413.00
Z509-4NL		1,413.00

*Regularly furnished unless otherwise specified.

Items designated as Best Sellers are most specified and are generally in stock for shipment.

⌚ This symbol denotes a product that is engineered to reduce installation and rework time.

For additional product information, please visit www.zurn.com

Z511 9" HEAVY-DUTY DRAIN



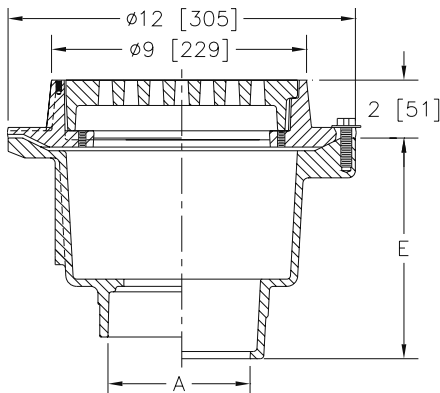
ENGINEERING SPECIFICATION

Zurn Z511 9" diameter top drain features Dura-Coated cast iron, deep sump body with bottom outlet, seepage pan, and combination membrane flashing clamp and frame for heavy-duty, cast iron, deep flange grate.

NOTES

*Add 3/16" to 2" dimension and 3/4" to 9" dimension for ZN

A Pipe Size inch [mm]	Grate Open Area sq in [cm ²]	Approximate Weight lb [kg]
2 [51], 3 [76], 4 [102]	18 [116]	40 [18]



PREFIXES	DESCRIPTION	PIPE SIZE	LIST PRICE
Z511*	D.C.C.I. Body and Top	2", 3", 4"	1,780.00
ZN511	D.C.C.I. Body Assembly with Polished Nickel Bronze Top	2", 3", 4"	2,444.00

OUTLETS (SPECIFY PIPE SIZE IN INCHES AND TYPE OF OUTLET)				
OUTLET TYPE	PIPE SIZE/ OUTLET TYPE	E BODY HT. DIM.	ADD	
IC	Inside Caulk	3IC, 4IC	7-5/8"	N/C
IG	Inside Gasket	3IG, 4IG	7-5/8"	N/C
NL	Neo-Loc	2NL, 3NL, 4NL	6-7/8"	N/C
IP	Threaded	3IP, 4IP	7-5/8"	N/C

SUFFIXES		ADD
-AR	Acid Resisting Epoxy Coated Finish	1,176.00
-BT	Bell Trap	243.00
-DG	Duresist Grate	243.00
-F	Extension Frame - Per Inch (Specify Height)	123.00
-G	Galvanized Cast Iron	698.00
-HP	Heel-Proof Grate	N/C
-J	Auxiliary Inlet Connection (Specify 1-1/2" or 2" IP, Number and Location)	429.00
-P	Trap Primer Connection	187.00
-S	Secondary Strainer	75.00
-SC	Solid Cover w/ Lift Handle	601.00
-SG	Solid Gasketed Cover	721.00
Ⓢ -TC	Neo-Loc Test Cap Gasket (2", 3", 4" NL Bottom Outlet Only)	32.00
-TS	Top Secured with Slotted Screws	162.00
-TSP	Trap Seal Protection Device (Size Matches Drain Outlet Selected, See Z1072)	POA
-V	Backwater Valve-Ball Float Type (Not Available with -Y)	763.00
-VP	Vandal-Proof Secured Top	186.00
-W	Winter Closure Plug (3IC, 4IC, 3IP, 4IP & 3IG Connections Only)	763.00
-Y	Sediment Bucket (Not Available with -V)	243.00

BEST SELLERS		LIST PRICE
Z511-4NL		1,780.00
Z511-4NL-P-TC-Y		2,242.00
Z511-4NL-P-Y		2,210.00
Z511-4NL-Y		2,023.00
ZN511-4NL-AR-P-S-Y		4,125.00

Z512 12-1/4" HEAVY-DUTY DRAIN



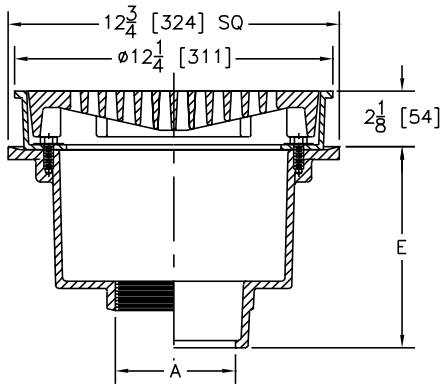
ENGINEERING SPECIFICATION

Zurn Z512 12-1/4" diameter top drain features Dura-Coated cast iron deep sump body with bottom outlet, seepage pan, and combination flashing clamp and frame for heavy-duty tractor grate.

NOTES

†Add 3/16" to 2-1/8" dimension and 3/4" to 12-1/4" dimension for ZN

A Pipe Size inch [mm]	Grate Open Area sq in [cm ²]	Approximate Weight lb [kg]
3 [76], 4 [102], 6 [152]	30 [194]	44 [20]



PREFIXES	DESCRIPTION	PIPE SIZE	LIST PRICE
Z512*	D.C.C.I. Body and Top	3", 4", 6"	1,824.00
ZN512	D.C.C.I. Body Assembly with Polished Nickel Bronze Top	3", 4", 6"	2,768.00

OUTLETS (SPECIFY PIPE SIZE IN INCHES AND TYPE OF OUTLET)			
OUTLET TYPE	PIPE SIZE/ OUTLET TYPE	E BODY HT. DIM.	ADD
IC	Inside Caulk	4IC, 6IC	7-3/4" N/C
IG	Inside Gasket	4IG, 6IG	7-3/4" N/C
IP	Threaded	4IP, 6IP	6-5/16" 102.00
NL	Neo-Loc	3NL, 4NL	7-1/4" N/C
NH	No-Hub	3NH, 4NH, 6NH	7-13/16" N/C

SUFFIXES		ADD
-AR	Acid Resistant Epoxy Coated Cast Iron	960.00
-DG	Duresist Grate	325.00
-G	Galvanized Cast Iron	773.00
-S	Secondary Strainer	79.00
-SS	Stainless Mesh Liner for Bucket	518.00
-T	Square Top	Z 426.00 ZN 607.00
⌚ -TC	Neo-Loc Test Cap Gasket (3", 4" NL Bottom Outlet Only)	32.00
-TS	Top Secured with Slotted Screws	162.00
-VP	Vandal-Proof Secured Top	186.00
-Y	Sediment Bucket	406.00

BEST SELLERS		LIST PRICE
Z512-4NH-Y		2,230.00
Z512-4NL-Y		2,230.00

*Regularly furnished unless otherwise specified.

Items designated as Best Sellers are most specified and are generally in stock for shipment.

⌚ This symbol denotes a product that is engineered to reduce installation and rework time.

For additional product information, please visit www.zurn.com

Z513 9" SQUARE HINGED HEAVY-DUTY DRAIN



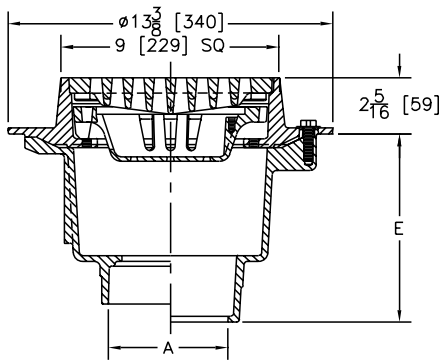
ENGINEERING SPECIFICATION

Zurn Z513 9" square top drain features Dura-Coated cast iron deep sump body with bottom outlet, seepage pan and combination membrane flashing clamp and frame for hinged, heavy-duty, slotted grate with suspended sediment bucket.

NOTES

†Add 3/16" to 2-5-/16" dimension and 3/4" to 9" dimension for ZN

A Pipe Size inch [mm]	Grate Open Area sq in [cm ²]	Approximate Weight lb [kg]
3 [76], 4 [102]	20 [129]	57 [26]



PREFIXES	DESCRIPTION	PIPE SIZE	LIST PRICE
Z513*	D.C.C.I. Body and Top	3", 4"	2,513.00
ZN513	D.C.C.I. Body Assembly with Polished Nickel Bronze Top	3", 4"	3,733.00
OUTLETS (SPECIFY PIPE SIZE IN INCHES AND TYPE OF OUTLET)			
OUTLET TYPE	PIPE SIZE/ OUTLET TYPE	E BODY HT. DIM.	ADD
NL	Neo-Loc	3NL, 4NL	6-5/8" N/C
SUFFIXES			ADD
-AR	Acid Resisting Epoxy Coated Cast Iron		910.00
-G	Galvanized Cast Iron		623.00
-HL	Hinged Locking Grate		391.00
-P	Trap Primer Connection		187.00
-SS	Stainless Steel Mesh Liner for Bucket		258.00
Ⓢ -TC	Neo-Loc Test Cap Gasket (3", 4" NL Bottom Outlet Only)		32.00
-VP	Vandal-Proof Secured Top		186.00
BEST SELLERS			LIST PRICE
ZN513-3NL			3,733.00
ZN513-3NL-P			3,920.00
Z513-4NL			2,513.00

Z520 9-1/4" ADJUSTABLE HEAVY-DUTY DRAIN



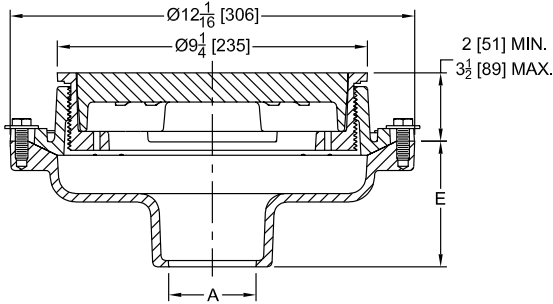
ENGINEERING SPECIFICATION

Zurn Z520 9-1/4" diameter top drain features Dura-Coated cast iron body with bottom outlet, seepage pan, membrane flashing clamp, and adjustable extension frame with heavy-duty, cast iron, deep flange, slotted grate.

NOTES

†Add 13/16" to 9-1/4" dimension and 3/16" to 2" to 3-1/2" dimension for ZN

A Pipe Size inch [mm]	Grate Open Area sq in [cm ²]	Approximate Weight lb [kg]
2 [51], 3 [76], 4 [102]	15 [97]	33 [15]
6 [152]		38 [17]



PREFIXES	DESCRIPTION	PIPE SIZE	LIST PRICE
Z520*	D.C.C.I. Body and Top	2", 3", 4"	1,027.00
		6"	1,412.00
ZN520	D.C.C.I. Body with Polished Nickel Bronze Top	2", 3", 4"	1,648.00
		6"	2,031.00

OUTLETS (SPECIFY PIPE SIZE IN INCHES AND TYPE OF OUTLET)				
OUTLET TYPE		PIPE SIZE/OUTLET TYPE	E BODY HT. DIM.	ADD
IC	Inside Caulk	4IC	3-3/4"	N/C
IG	Inside Gasket	4IG	3-3/4"	N/C
IP	Threaded	4IP	2-3/4"	102.00
NH	No-Hub	2NH, 3NH, 4NH	4-3/4"	N/C
		6NH	5-1/4"	N/C
NL	Neo-Loc	2NL, 3NL, 4NL	3-9/16"	N/C

SUFFIXES				ADD
-F	Extension Frame - 3-1/4" Min., 5-1/2" Max. Per Ext. (Specify Height Required)			184.00
-G	Galvanized Cast Iron			538.00
-P	Trap Primer Connection			187.00
-S	Secondary Strainer			60.00
-SS	Stainless Mesh Liner for Bucket			304.00
-T	Square Top	Z		404.00
		ZN		503.00
Ⓢ -TC	Neo-Loc Test Cap Gasket (2", 3", 4" NL Bottom Outlet Only)			32.00
-TS	Top Secured with Slotted Screws			162.00
-TSP	Trap Seal Protection Device (Size Matches Drain Outlet Selected, See Z1072)			POA
-V	Backwater Valve (See Z1099)			N/C
-VP	Vandal-Proof Secured Top			186.00
-Y	Sediment Bucket			176.00
-90	90° Side Outlet Body Assembly (See Z1042, 4IP Only)			N/C

BEST SELLERS		LIST PRICE
Z520-3NH-Y		1,203.00
Z520-3NL		1,027.00
Z520-4NH		1,027.00
Z520-4NH-Y		1,203.00
Z520-4NL		1,027.00
Z520-4NL-G-VP		1,751.00
Z520-4NL-P		1,214.00
Z520-4NL-VP		1,213.00
Z520-4NL-Y		1,203.00

*Regularly furnished unless otherwise specified.

Items designated as Best Sellers are most specified and are generally in stock for shipment.

Ⓢ This symbol denotes a product that is engineered to reduce installation and rework time.

For additional product information, please visit www.zurn.com

INTRO ROOF DRAINS FLOOR DRAINS T, P, BW VALVES INTERCEPTORS CARRIERS HYDRANTS CLEANOUTS WHA SS DRAINS SAN-FLOOR TECH INFO

Z521 12-1/4" DIAMETER ADJUSTABLE HEAVY-DUTY DRAIN



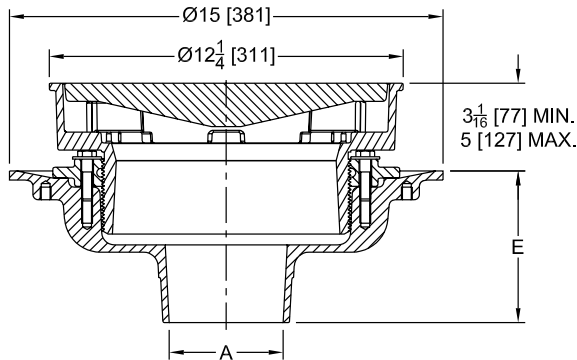
ENGINEERING SPECIFICATION

Zurn Z521 12-1/4" diameter top drain features Dura-Coated cast iron body with bottom outlet, seepage pan, membrane flashing clamp, and adjustable extension frame with heavy-duty tractor grate.

NOTES

†Add 11/16" to 12-1/4" dimension and 3/16" to 3-1/16" and 5" dimension for ZN

A Pipe Size inch [mm]	Grate Open Area sq in [cm ²]	Approximate Weight lb [kg]
2 [51], 3 [76], 4 [102]	33 [213]	60 [27]
6 [152]		57 [26]
8 [203]		58 [26]



PREFIXES	DESCRIPTION	PIPE SIZE	LIST PRICE	
Z521*	D.C.C.I. Body and Top	2", 3", 4", 6", 8"	2,450.00	
ZN521	D.C.C.I. Body with Polished Nickel Bronze Top	2", 3", 4", 6", 8"	3,321.00	
OUTLETS (SPECIFY PIPE SIZE IN INCHES AND TYPE OF OUTLET)				
OUTLET TYPE		PIPE SIZE/OUTLET TYPE	E BODY HT. DIM.	ADD
IC	Inside Caulk	3IC, 4IC, 6IC	5-1/4"	N/C
IG	Inside Gasket	3IG, 4IG, 6IG	5-1/4"	N/C
NH	No-Hub	2NH, 3NH, 4NH, 6NH, 8NH	5-1/4"	102.00
NL	Neo-Loc	2NL, 3NL, 4NL	4-5/8"	N/C
SUFFIXES				ADD
-G	Galvanized Cast Iron			905.00
-S	Secondary Strainer			79.00
-T	Square Top		Z	428.00
			ZN	606.00
Ⓢ -TC	Neo-Loc Test Cap Gasket (2", 3", 4" NL Bottom Outlet Only)			32.00
-TS	Top Secured with Slotted Screws			162.00
-V	Backwater Valve (Not Available with -Y) (See Z1099)			N/C
-VP	Vandal-Proof Secured Top			186.00
-Y	Sediment Bucket (Not Available with -V)			302.00
BEST SELLERS				LIST PRICE
Z521-4IC				2,450.00
Z521-4NH				2,450.00

Z526 12-1/4" ADJUSTABLE HEAVY-DUTY DRAIN



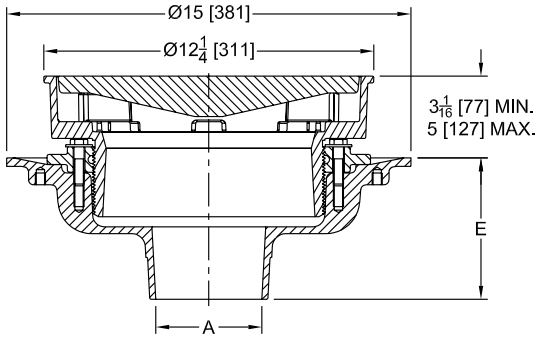
ENGINEERING SPECIFICATION

Zurn Z526 12-1/4" diameter top drain features Dura-Coated cast iron body with bottom outlet, seepage pan, membrane flashing clamp, and adjustable extension frame with heavy-duty tractor grate.

NOTES

†Add 11/16" to 12-1/4" dimension and 3/16" to 3-1/16" and 5" dimension for ZN

A Pipe Size inch [mm]	Grate Open Area sq in [cm ²]	Approximate Weight lb [kg]
2 [51], 3 [76], 4 [102]	33 [213]	60 [27]
6 [152]		57 [26]
8 [203]		58 [26]



PREFIXES	DESCRIPTION	PIPE SIZE	LIST PRICE
Z526*	D.C.C.I. Body and Top	2", 3", 4", 6", 8"	1,823.00
ZN526	D.C.C.I. Body with Polished Nickel Bronze Top	2", 3", 4", 6", 8"	2,706.00

OUTLETS (SPECIFY PIPE SIZE IN INCHES AND TYPE OF OUTLET)				
OUTLET TYPE		PIPE SIZE/OUTLET TYPE	E BODY HT. DIM.	ADD
IC	Inside Caulk	3IC, 4IC, 6IC	5-1/4"	N/C
IG	Inside Gasket	3IG, 4IG, 6IG	5-1/4"	N/C
NH	No-Hub	2NH, 3NH, 4NH, 6NH, 8NH	5-1/4"	102.00
NL	Neo-Loc	2NL, 3NL, 4NL	4-5/8"	N/C
SUFFIXES				ADD
-G	Galvanized Cast Iron			801.00
-HP	Heel-Proof Grate			N/C
-S	Secondary Strainer			79.00
-T	Square Top		Z	428.00
			ZN	606.00
Ⓢ -TC	Neo-Loc Test Cap Gasket (2", 3", 4" NL Bottom Outlet Only)			32.00
-TS	Top Secured with Slotted Screws			162.00
-V	Backwater Valve (See Z1099)			N/C
-VP	Vandal-Proof Secured Top			186.00
-90	90° Side Outlet Body Assembly (See Z1042)			N/C
-Y	Sediment Bucket (Not Available with -V)			276.00

*Regularly furnished unless otherwise specified.

Items designated as Best Sellers are most specified and are generally in stock for shipment.

Ⓢ This symbol denotes a product that is engineered to reduce installation and rework time.

For additional product information, please visit www.zurn.com

INTRO ROOF DRAINS FLOOR DRAINS I, P, BW VALVES INTERCEPTORS CARRIERS HYDRANTS CLEANOUTS WHA SS DRAINS SAN-FLOOR TECH INFO

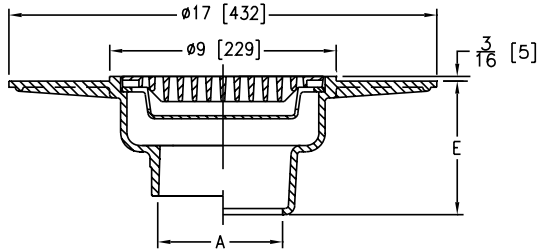
Z530 9" MEDIUM-DUTY WIDE FLANGE DECK DRAIN



ENGINEERING SPECIFICATION

Zurn Z530 9" diameter wide flange deck drain for latex decks features Dura-Coated cast iron body with latex troweling flange, flat heel-proof, medium-duty grate, and suspended sediment bucket.

A Pipe Size inch [mm]	Grate Open Area sq in [cm ²]	Approximate Weight lb [kg]
2 [51], 3 [76], 4 [102]	18 [116]	49 [22]



PREFIXES	DESCRIPTION	PIPE SIZE	LIST PRICE
Z530*	D.C.C.I. Body and Top	2", 3", 4"	1,133.00
OUTLETS (SPECIFY PIPE SIZE IN INCHES AND TYPE OF OUTLET)			
OUTLET TYPE	PIPE SIZE/OUTLET TYPE	E BODY HT. DIM.	ADD
IC	Inside Caulk	2IC, 3IC, 4IC	5-1/2" N/C
IP	Threaded	2IP, 3IP, 4IP	4" 102.00
NL	Neo-Loc	2NL, 3NL, 4NL	4-3/4" N/C
SUFFIXES			ADD
-AR	Acid Resisting Epoxy Coated Cast Iron		948.00
-C	Underdeck Clamp		284.00
-DG	Duresist Grate		271.00
-G	Galvanized Cast Iron		843.00
Ⓢ -TC	Neo-Loc Test Cap Gasket (2", 3", 4" NL Bottom Outlet Only)		32.00
-TS	Top Secured with Slotted Screws		162.00
-VP	Vandal-Proof Secured Top		186.00
-XJ	Expansion Joint (Use with IP Type Outlet) (See Z190)		N/C
BEST SELLER			LIST PRICE
Z530-3NL			1,133.00

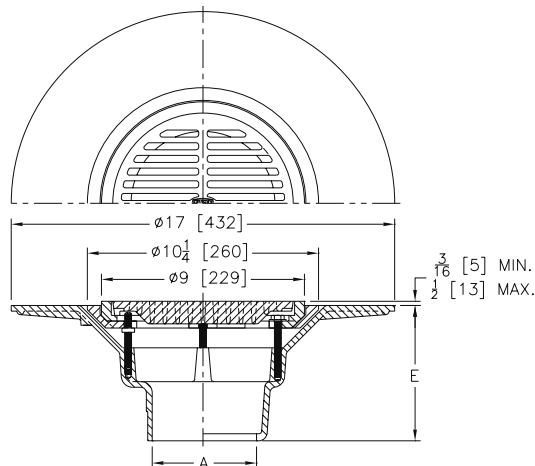
Z531 9" ADJUSTABLE FRAME WIDE FLANGE MEDIUM-DUTY DECK DRAIN



ENGINEERING SPECIFICATION

Zurn Z531 9" diameter adjustable frame wide flange deck drain features Dura-Coated cast iron body with 10-1/4" diameter latex troweling flange and combination adjustable latex troweling-edge-form and membrane flashing clamp with flat medium-duty grate.

A Pipe Size inch [mm]	Grate Open Area sq in [cm ²]	Approximate Weight lb [kg]
2 [51], 3 [76], 4 [102]	18 [116]	54 [24]



PREFIXES	DESCRIPTION	PIPE SIZE	LIST PRICE
Z531*	D.C.C.I. Body and Top	2", 3", 4"	1,831.00
ZN531	D.C.C.I. Body with Polished Nickel Bronze Top	2", 3", 4"	2,486.00
OUTLETS (SPECIFY PIPE SIZE IN INCHES AND TYPE OF OUTLET)			
OUTLET TYPE	PIPE SIZE/OUTLET TYPE	E BODY HT. DIM.	ADD
IC	Inside Caulk	2IC, 3IC, 4IC	6" N/C
IP	Threaded	2IP, 3IP, 4IP	4-1/2" 102.00
NH	No-Hub	2NH, 3NH, 4NH	6" N/C
NL	Neo-Loc	2NL, 3NL, 4NL	5-3/8" N/C
SUFFIXES			ADD
-C	Underdeck Clamp		206.00
-DG	Duresist Grate		213.00
-G	Galvanized Cast Iron		873.00
-S	Secondary Strainer		60.00
Ⓢ -TC	Neo-Loc Test Cap Gasket (2", 3", 4" NL Bottom Outlet Only)		32.00
-TS	Top Secured with Slotted Screws		162.00
-VP	Vandal-Proof Secured Top		186.00
-Y	Sediment Bucket		176.00
BEST SELLERS			LIST PRICE
Z531-3NH			1,831.00
ZN531-3NH-TS			2,648.00
Z531-4NH			1,831.00

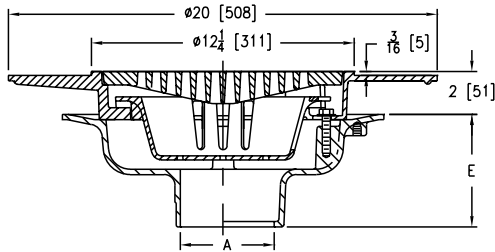
Z532 12-1/4" DIAMETER WIDE FLANGE HEAVY-DUTY FLOOR DRAIN



ENGINEERING SPECIFICATION

Zurn Z532 12-1/4" diameter wide flange floor drain features Dura-Coated cast iron body with bottom outlet, seepage pan, combination membrane flashing clamp, and frame with latex troweling flange, heavy-duty slotted grate, and suspended sediment bucket.

A Pipe Size inch [mm]	Grate Open Area sq in [cm ²]	Approximate Weight lb [kg]
2 [51], 3 [76], 4 [102], 6 [152]	30 [194]	54 [24]



PREFIXES	DESCRIPTION	PIPE SIZE	LIST PRICE
Z532*	D.C.C.I. Body and Top	2", 3", 4", 6"	2,636.00
ZN532	D.C.C.I. Body with Polished Nickel Bronze Top	2", 3", 4", 6"	3,576.00

OUTLETS (SPECIFY PIPE SIZE IN INCHES AND TYPE OF OUTLET)			
OUTLET TYPE	PIPE SIZE/OUTLET TYPE	E BODY HT. DIM.	ADD
IC	Inside Caulk	3IC, 4IC, 6IC	5-1/4" N/C
IG	Inside Gasket	3IG, 4IG, 6IG	5-1/4" N/C
NH	No-Hub	2NH, 3NH, 4NH, 6NH	5-1/4" N/C
NL	Neo-Loc	2NL, 3NL, 4NL	4-1/2" N/C

SUFFIXES			ADD
-AR	Acid Resistant Epoxy Coating		1,521.00
-G	Galvanized Cast Iron		1,129.00
-HP	Heel-Proof Grate		N/C
-TC	Neo-Loc Test Cap Gasket (2", 3", 4" NL Bottom Outlet Only)		32.00
-TS	Top Secured with Slotted Screws		162.00
-VP	Vandal-Proof Secured Top		186.00

BEST SELLERS		LIST PRICE
Z532-3NH		2,636.00
Z532-4NH		2,636.00

Z533 9" DIAMETER HEAVY-DUTY PARKING DECK DRAIN WITH SUPPORT FLANGE



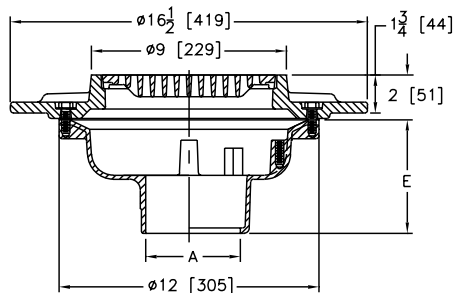
ENGINEERING SPECIFICATION

Zurn Z533 9" diameter parking deck drain features Dura-Coated cast iron body with bottom outlet, heavy-duty, gasketed drain support flange with heavy-duty Duresist, slotted grate.

NOTES

*Add 3/16" to 2" dimension for ZN

A Pipe Size inch [mm]	Grate Open Area sq in [cm ²]	Approximate Weight lb [kg]
3 [76], 4 [102]	16 [103]	48 [22]



PREFIXES	DESCRIPTION	PIPE SIZE	LIST PRICE
Z533*	D.C.C.I. Body and Top	3", 4"	1,591.00
ZN533	D.C.C.I. Body with Polished Nickel Bronze Top	3", 4"	2,300.00

OUTLETS (SPECIFY PIPE SIZE IN INCHES AND TYPE OF OUTLET)			
OUTLET TYPE	PIPE SIZE/OUTLET TYPE	E BODY HT. DIM.	ADD
NH	No-Hub	3NH, 4NH	5-1/4" N/C
NL	Neo-Loc	3NL, 4NL	4-9/16" N/C

SUFFIXES			ADD
-C	Underdeck Clamp		187.00
-G	Galvanized Cast Iron		920.00
-TS	Top Secured with Slotted Screws		162.00
-VP	Vandal-Proof Secured Top		186.00
-Y	Sediment Bucket		176.00

BEST SELLERS		LIST PRICE
Z533-3NH		1,591.00
Z533-3NL		1,591.00
Z533-4NH		1,591.00
Z533-4NH-C		1,778.00
Z533-4NH-C-VP		1,964.00
Z533-4NH-VP		1,777.00
Z533-4NL		1,591.00

*Regularly furnished unless otherwise specified.

Items designated as Best Sellers are most specified and are generally in stock for shipment.

⌚ This symbol denotes a product that is engineered to reduce installation and rework time.

For additional product information, please visit www.zurn.com

Z534 12-1/4" DIAMETER HEAVY-DUTY PARKING DECK DRAIN WITH SUPPORT FLANGE



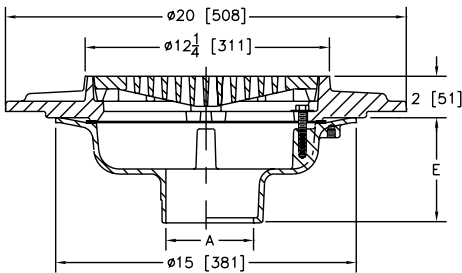
ENGINEERING SPECIFICATION

Zurn Z534 12-1/4" diameter parking deck drain features Dura-Coated cast iron body with bottom outlet, heavy-duty, gasketed drain support flange with heavy-duty, slotted grate.

NOTES

†Add 3/16" to 2" dimension and 3/4" to 12-1/4" dimension for ZB and ZN

A Pipe Size inch [mm]	Grate Open Area sq in [cm ²]	Approximate Weight lb [kg]
2 [51], 3 [76], 4 [102], 6 [152]	30 [194]	78 [35]
8 [203]		80 [36]



BEST SELLERS	LIST PRICE
Z534-4NH	3,125.00
Z534-4NH-C	3,429.00
Z534-4NH-C-HP-TS	3,591.00
Z534-4NH-C-HP-Y	3,687.00
Z534-4NH-C-Y	3,687.00
Z534-4NH-HP-SA-Y	3,567.00
Z534-4NH-HP-TS-Y	3,545.00
Z534-4NH-HP-Y	3,383.00

PREFIXES	DESCRIPTION	PIPE SIZE	LIST PRICE
Z534*	D.C.C.I. Body and Top	2", 3", 4", 6"	3,125.00
		8"	3,497.00
ZN534	D.C.C.I. Body with Polished Nickel Bronze Top	2", 3", 4", 6"	4,737.00
		8"	5,117.00

OUTLETS (SPECIFY PIPE SIZE IN INCHES AND TYPE OF OUTLET)			
OUTLET TYPE	PIPE SIZE/OUTLET TYPE	E BODY HT. DIM.	ADD
IC	Inside Caulk	3IC, 4IC, 6IC	5-1/4" N/C
IG	Inside Gasket	3IG, 4IG, 6IG	5-1/4" N/C
IP	Threaded	2IP, 3IP, 4IP, 6IP, 8IP	3-3/4" 102.00
NH	No-Hub	2NH, 3NH, 4NH, 6NH, 8NH	5-1/4" N/C
NL	Neo-Loc	2NL, 3NL, 4NL	4-5/8" N/C
SUFFIXES			ADD
-C	Underdeck Clamp		304.00
-G	Galvanized Cast Iron		1,355.00
-HP	Heel-Proof Grate		N/C
Ⓢ -SA	Stabilizer Assembly (See Z1036)		184.00
Ⓢ -TC	Neo-Loc Test Cap Gasket (2", 3", 4" NL Bottom Outlet Only)		32.00
-TS	Top Secured with Slotted Screws		162.00
-VP	Vandal-Proof Secured Top		186.00
-XJ	Expansion Joint (Use with IP Type Outlet) (See Z190)		N/C
-Y	Sediment Bucket		258.00

BEST SELLERS	LIST PRICE
Z534-4NH-VP	3,311.00
Z534-4NL	3,125.00
Z534-4NL-C	3,429.00
ZN534-4NL	4,737.00
Z534-6NH	3,125.00
Z534-6NH-HP-TS	3,287.00
Z534-6NH-VP-Y	3,569.00
Z534-8NH	3,497.00

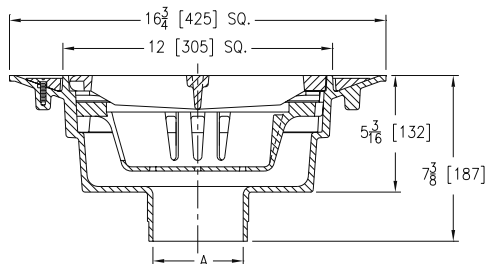
Z535 HEAVY-DUTY PARKING STRUCTURE DRAIN



ENGINEERING SPECIFICATION

Zurn Z535 square top, heavy-duty drain features oven-cured acid resistant epoxy-coated aluminum or cast iron body with bottom outlet, top membrane clamping collar, anti-ponding slots, sediment bucket and heavy-duty, anti-tilt, hinged, slotted grate with stainless steel hinge pins.

A Pipe Size inch [mm]	Grate Open Area sq in [cm ²]	Approximate Weight lb [kg]
3 [76], 4 [102], 6 [152], 8 [203]	56 [361]	29 [13] for aluminum, 75 [34] for cast iron



PREFIXES	DESCRIPTION	PIPE SIZE	LIST PRICE
Z535*	A.R.C. Aluminum Body and Top	3", 4", 6", 8"	5,036.00
ZC535	D.C.C.I. Body and Top	3", 4", 6", 8"	5,036.00
OUTLETS (SPECIFY PIPE SIZE IN INCHES AND TYPE OF OUTLET)			
OUTLET TYPE	PIPE SIZE/OUTLET TYPE	ADD	
NH	No-Hub	3NH, 4NH, 6NH, 8NH	N/C
SUFFIXES			ADD
-CI	Cast Iron Grate		575.00
-G	Galvanized Cast Iron (For ZC option only)		-
-L	Locking Device		174.00
BEST SELLERS			LIST PRICE
Z535-3NH			5,036.00
Z535-4NH			5,036.00
Z535-6NH			5,036.00

For additional product information, please visit www.zurn.com

*Regularly furnished unless otherwise specified.

Items designated as Best Sellers are most specified and are generally in stock for shipment.

Ⓢ This symbol denotes a product that is engineered to reduce installation and rework time.

Z536 15-3/8" DIAMETER HEAVY-DUTY PARKING DECK DRAIN WITH SUPPORT FLANGE



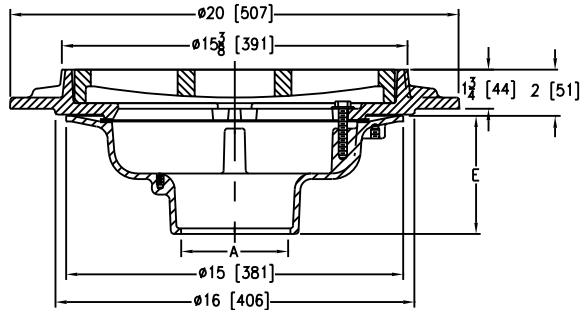
ENGINEERING SPECIFICATION

Zurn Z536 15-3/8" diameter parking deck drain features Dura-Coated cast iron body with bottom outlet, heavy-duty, gasketed drain support flange with heavy-duty, slotted grate.

NOTES

†Add 3/16" to 2" dimension for ZN

A Pipe Size inch [mm]	Grate Open Area sq in [cm ²]	Approximate Weight lb [kg]
3 [76], 4 [102], 6 [152]	56 [361]	95 [43]
8 [203]		97 [44]



PREFIXES	DESCRIPTION	PIPE SIZE	LIST PRICE
Z536*	D.C.C.I. Body and Top	3", 4", 6"	3,896.00
		8"	4,366.00
ZN536	D.C.C.I. Body with Polished Nickel Bronze Top	3", 4", 6"	5,012.00
		8"	5,481.00

OUTLETS (SPECIFY PIPE SIZE IN INCHES AND TYPE OF OUTLET)			
OUTLET TYPE		PIPE SIZE/OUTLET TYPE	E BODY HT. DIM. ADD
IP	Threaded	4IP	3-3/4" 102.00
NH	No-Hub	3NH, 4NH, 6NH, 8NH	5-1/4" N/C
NL	Neo-Loc	3NL, 4NL	4-5/8" N/C
SUFFIXES			ADD
-C	Underdeck Clamp		304.00
-G	Galvanized Cast Iron		1,355.00
-VP	Vandal-Proof Secured Top		186.00
-Y	Sediment Bucket		391.00

BEST SELLERS	LIST PRICE
Z536-3NL-C	4,200.00
Z536-4NH	3,896.00
Z536-4NH-C-VP-Y	4,777.00
Z536-4NH-VP-Y	4,473.00
Z536-4NH-Y	4,287.00
Z536-4NL	3,896.00
Z536-4NL-G	5,251.00
Z536-4NL-Y	4,287.00
Z536-6NH	3,896.00
Z536-6NH-G-VP	5,437.00
Z536-6NH-VP	4,082.00
Z536-6NH-Y	4,287.00
Z536-6NL-G-VP	5,437.00
Z536-8NH	4,366.00
Z536-8NH-Y	4,757.00

*Regularly furnished unless otherwise specified.

Items designated as Best Sellers are most specified and are generally in stock for shipment.

⌚ This symbol denotes a product that is engineered to reduce installation and rework time.

For additional product information, please visit www.zurn.com

Z537 15-7/8" SQUARE TOP HEAVY-DUTY PARKING DECK DRAIN WITH SUPPORT FLANGE



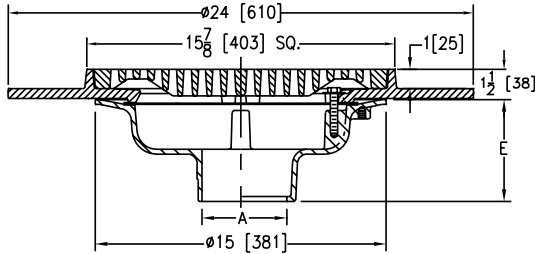
ENGINEERING SPECIFICATION

Zurn Z537 15-7/8" square top parking deck drain features Dura-Coated cast iron body with bottom outlet, heavy-duty, gasketed drain support flange with heavy-duty, slotted ductile iron grate.

NOTES

†Add 3/16" to 1-1/2" dimension for ZN

A Pipe Size inch [mm]	Grate Open Area sq in [cm ²]	Approximate Weight lb [kg]
2 [51], 3 [76], 4 [102], 6 [152]	79 [510]	122 [55]
8 [203]		124 [56]



BEST SELLERS	LIST PRICE
Z537-3NH	4,100.00
Z537-3NH-C	4,404.00
Z537-4NH	4,100.00
Z537-4NH-C	4,404.00
Z537-4NH-C-VP-Y	4,981.00

PREFIXES	DESCRIPTION	PIPE SIZE	LIST PRICE
Z537*	D.C.C.I. Body and Top	2", 3", 4", 6"	4,100.00
		8"	4,563.00
ZN537	D.C.C.I. Body with Polished Nickel Bronze Top	2", 3", 4", 6"	5,012.00
		8"	5,481.00

OUTLETS (SPECIFY PIPE SIZE IN INCHES AND TYPE OF OUTLET)			
OUTLET TYPE	PIPE SIZE/OUTLET TYPE	E BODY HT. DIM.	ADD
IP	Threaded	3IP, 4IP, 6IP, 8IP	3-3/4" 102.00
NH	No-Hub	3NH, 4NH, 6NH, 8NH	5-1/4" N/C
NL	Neo-Loc	2NL, 3NL, 4NL	4-5/8" N/C
SUFFIXES			ADD
-C	Underdeck Clamp		304.00
-G	Galvanized Cast Iron		1,355.00
-VP	Vandal-Proof Secured Top		186.00
-Y	Sediment Bucket		391.00

BEST SELLERS	LIST PRICE
Z537-4NH-VP	4,286.00
Z537-4NH-VP-Y	4,677.00
Z537-4NH-Y	4,491.00
Z537-4NL	4,100.00
Z537-6NH	4,100.00
Z537-6NH-C	4,404.00
Z537-6NH-C-G-VP-Y	6,336.00
Z537-6NH-C-VP-Y	4,981.00
Z537-6NH-C-Y	4,795.00
Z537-6NL	4,100.00
Z537-8NH	4,563.00

Z539 12-1/4" HEAVY-DUTY DRAIN WITH DEEP SUMP



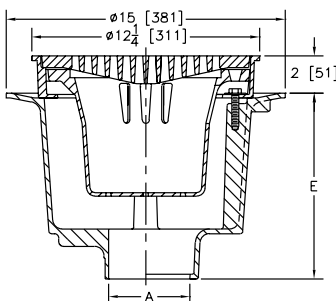
ENGINEERING SPECIFICATION

Zurn Z539 12-1/4" diameter top drain features Dura-Coated cast iron deep sump body with bottom outlet, seepage pan, and combination membrane flashing clamp and frame for sediment bucket and heavy-duty, slotted grate.

NOTES

†Add 3/16" to 2" dimension and 3/4" to 12-1/4" dimension for ZN

A Pipe Size inch [mm]	Grate Open Area sq in [cm ²]	Approximate Weight lb [kg]
3 [76], 4 [102], 6 [152]	30 [194]	68 [31]
8 [203]		



PREFIXES	DESCRIPTION	PIPE SIZE	LIST PRICE
Z539*	D.C.C.I. Body and Top	3", 4", 6"	2,335.00
		8"	2,725.00
ZN539	D.C.C.I. Body with Polished Nickel Bronze Top	3", 4", 6"	3,356.00
		8"	3,745.00

OUTLETS (SPECIFY PIPE SIZE IN INCHES AND TYPE OF OUTLET)			
OUTLET TYPE	PIPE SIZE/OUTLET TYPE	E BODY HT. DIM.	ADD
NH	No-Hub	3NH, 4NH, 6NH, 8NH	10" N/C
NL	Neo-Loc	3NL, 4NL	9-5/16" N/C
SUFFIXES			ADD
-G	Galvanized Cast Iron		1,503.00
-HP	Heel-Proof Grate		N/C
-SS	Stainless Steel Mesh Liner for Bucket		513.00
-T	Square Top	Z	428.00
		ZN	607.00
-TC	Neo-Loc Test Cap Gasket (3", 4" NL Bottom Outlet Only)		32.00
-TS	Top Secured with Slotted Screws		162.00
-VP	Vandal-Proof Secured Top		186.00
-YF	Free Standing Bucket		N/C
BEST SELLERS			LIST PRICE
Z539-4NH			2,335.00
ZN539-4NH-T			3,963.00

Z540 12-1/4" MEDIUM-DUTY DRAIN WITH SUR-SET BUCKET



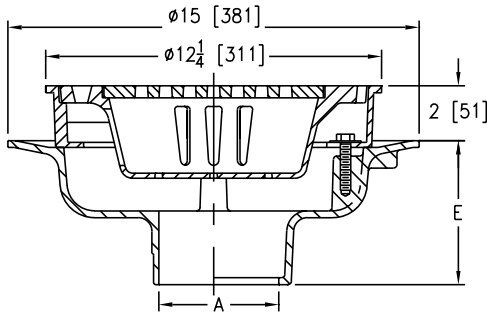
ENGINEERING SPECIFICATION

Zurn Z540 12-1/4" diameter top drain features Dura-Coated cast iron body with bottom outlet, seepage pan, and combination membrane flashing clamp and frame with integrated trap primer and plug with Sur-Set bucket and medium-duty, slotted, Duresist grate.

NOTES

†Add 3/16" to 2" dimension and 3/4" to 12-1/4" dimension for ZN

A Pipe Size inch [mm]	Grate Open Area sq in [cm ²]	Approximate Weight lb [kg]
2 [51], 3 [76], 4 [102]	18 [116]	44 [20]
6 [152]		45 [20]
8 [203]		46 [21]



PREFIXES	DESCRIPTION	PIPE SIZE	LIST PRICE
Z540*	D.C.C.I. Body and Top	2", 3", 4", 6"	1,862.00
		8"	2,242.00
ZN540	D.C.C.I. Body with Polished Nickel Bronze Top	2", 3", 4", 6"	2,754.00
		8"	3,128.00

OUTLETS (SPECIFY PIPE SIZE IN INCHES AND TYPE OF OUTLET)			
OUTLET TYPE	PIPE SIZE/OUTLET TYPE	E BODY HT. DIM.	ADD
IC	Inside Caulk	3IC, 4IC, 6IC	5-1/4" N/C
IG	Inside Gasket	3IG, 4IG, 6IG	5-1/4" N/C
NH	No-Hub	2NH, 3NH, 4NH, 6NH, 8NH	5-1/4" N/C
NL	Neo-Loc	2NL, 3NL, 4NL	4-5/8" N/C

SUFFIXES	ADD
-G	Galvanized Cast Iron 1,187.00
Ⓢ -SA	Stabilizer Assembly (See Z1036) 184.00
Ⓢ -TC	Neo-Loc Test Cap Gasket (2", 3", 4" NL Bottom Outlet Only) 32.00
-TS	Top Secured with Slotted Screws 162.00
-VP	Vandal-Proof Secured Top 186.00

BEST SELLERS	LIST PRICE
Z540-3NH	1,862.00
Z540-3NL	1,862.00
Z540-4NH	1,862.00
Z540-4NL	1,862.00

*Regularly furnished unless otherwise specified.

Items designated as Best Sellers are most specified and are generally in stock for shipment.

Ⓢ This symbol denotes a product that is engineered to reduce installation and rework time.

For additional product information, please visit www.zurn.com

INTRO ROOF DRAINS FLOOR DRAINS I.P. BW VALVES INTERCEPTORS CARRIERS HYDRANTS CLEANOUTS WHA SS DRAINS SAN-FLOOR TECH INFO

Z541 12-1/4" DIAMETER HEAVY-DUTY DRAIN



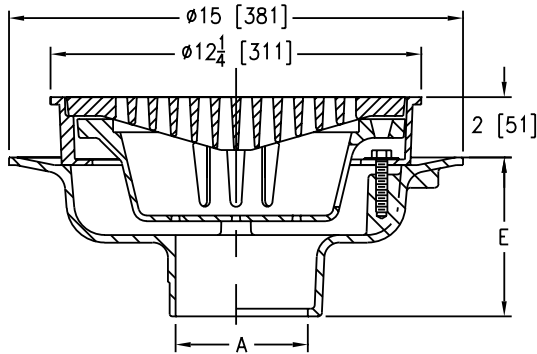
ENGINEERING SPECIFICATION

Zurn Z541 12-1/4" diameter top drain features Dura-Coated cast iron body with bottom outlet, seepage pan, and combination membrane flashing clamp and frame with integrated trap primer and plug, with anti-tilt, heavy-duty, slotted, Duresist grate and suspended polypropylene sediment bucket.

NOTES

†Add 3/16" to 2" dimension and 3/4" to 12-1/4" dimension for ZN

A Pipe Size inch [mm]	Grate Open Area sq in [cm ²]	Approximate Weight lb [kg]
2 [51], 3 [76], 4 [102]	30 [194]	51 [23]
6 [152]		52 [24]
8 [203]		53 [24]



PREFIXES	DESCRIPTION	PIPE SIZE	LIST PRICE
Z541*	D.C.C.I. Body and Top	2", 3", 4", 6"	1,862.00
		8"	2,242.00
ZN541	D.C.C.I. Body with Polished Nickel Bronze Top	2", 3", 4", 6"	2,754.00
		8"	3,128.00

OUTLETS (SPECIFY PIPE SIZE IN INCHES AND TYPE OF OUTLET)				
OUTLET TYPE		PIPE SIZE/OUTLET TYPE	E BODY HT. DIM.	ADD
IC	Inside Caulk	3IC, 4IC, 6IC	5-1/4"	N/C
IG	Inside Gasket	3IG, 4IG, 6IG	5-1/4"	N/C
IP	Threaded	2IP, 3IP, 4IP, 6IP, 8IP	3-3/4"	107.00
NH	No-Hub	2NH, 3NH, 4NH, 6NH, 8NH	5-1/4"	N/C
NL	Neo-Loc	2NL, 3NL, 4NL	4-5/8"	N/C

SUFFIXES		ADD
-AR	Acid Resisting Epoxy Coated Cast Iron	1,361.00
-DX	Dex-O-Tex Flange	686.00
-G	Galvanized Cast Iron	1,187.00
-H	Hinged Grate	302.00
-HP	Heel-Proof Grate	N/C
-S	Secondary Strainer	123.00
Ⓢ -SA	Stabilizer Assembly (See Z1036)	184.00
-SS	Stainless Steel Mesh Liner for Bucket	518.00
Ⓢ -TC	Neo-Loc Test Cap Gasket (2", 3", 4" NL Bottom Outlet Only)	32.00
-TG	Tractor Grate	321.00
-TS	Top Secured with Slotted Screws	162.00
-TSP	Trap Seal Protection Device (Size Matches Drain Outlet Selected, See Z1072)	POA
-V	Backwater Valve (See Z1099)	N/C
-VP	Vandal-Proof Secured Top	186.00
-YC	Cast Iron Sediment Bucket	340.00
-90	90° Threaded Side Outlet Body Assembly (2" thru 6")	453.00

BEST SELLERS	LIST PRICE
Z541-3NH	1,862.00
ZN541-3NH	2,754.00
Z541-3NL	1,862.00
Z541-4IP	1,969.00
Z541-4NH	1,862.00
Z541-4NH-TG	2,183.00
ZN541-4NH	2,754.00
Z541-4NL	1,862.00
Z541-4NL-HP	1,862.00
Z541-4NL-VP	2,048.00
ZN541-4NL	2,754.00
Z541-6NH	1,862.00
Z541-6NL	1,862.00

Z545 16" DIAMETER HEAVY-DUTY DRAIN



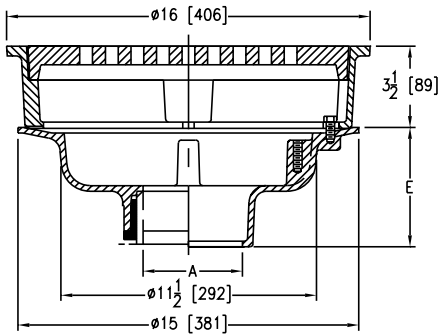
ENGINEERING SPECIFICATION

Zurn Z545 16" diameter top drain features Dura-Coated cast iron body with bottom outlet, seepage pan, and combination membrane flashing clamp and frame for heavy-duty cast iron, slotted grate.

NOTES

†Add 3/16" to 3-1/2" dimension for ZN

A Pipe Size inch [mm]	Grate Open Area sq in [cm ²]	Approximate Weight lb [kg]
2 [51], 3 [76], 4 [102], 6 [152]	45 [290]	69 [31]
8 [203]		71 [32]



PREFIXES	DESCRIPTION	PIPE SIZE	LIST PRICE
Z545*	D.C.C.I. Body and Top	2", 3", 4", 6", 8"	3,132.00
ZN545	D.C.C.I. Body with Polished Nickel Bronze Top	2", 3", 4", 6", 8"	6,600.00

OUTLETS (SPECIFY PIPE SIZE IN INCHES AND TYPE OF OUTLET)				
OUTLET TYPE		PIPE SIZE/OUTLET TYPE	E BODY HT. DIM.	ADD
IC	Inside Caulk	3IC, 4IC	5-1/4"	N/C
IG	Inside Gasket	3IG, 4IG	5-1/4"	N/C
IP	Threaded	2IP, 3IP, 4IP, 6IP, 8IP	3-3/4"	102.00
NH	No-Hub	2NH, 3NH, 4NH, 6NH, 8NH	5-1/4"	N/C
NL	Neo-Loc	2NL, 3NL, 4NL	4-5/8"	N/C

SUFFIXES			ADD
-DG	Duresist Grate		814.00
-G	Galvanized Cast Iron		1,638.00
-P	Trap Primer Connection		187.00
-TC	Neo-Loc Test Cap Gasket (2", 3", 4" NL Bottom Outlet Only)		32.00
-VP	Vandal-Proof Secured Top		258.00

BEST SELLERS		LIST PRICE
Z545-3NH		3,132.00
Z545-4NL		3,132.00

*Regularly furnished unless otherwise specified.

Items designated as Best Sellers are most specified and are generally in stock for shipment.

⌚ This symbol denotes a product that is engineered to reduce installation and rework time.

For additional product information, please visit www.zurn.com

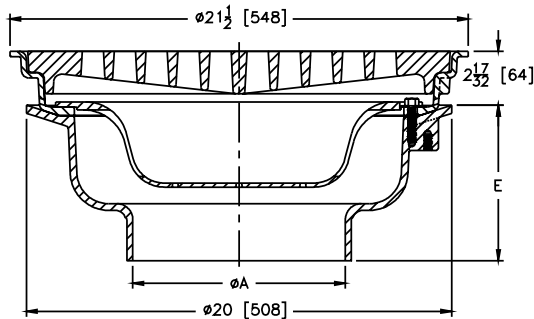
Z546 21-1/2" DIAMETER EXTRA HEAVY-DUTY DRAIN



ENGINEERING SPECIFICATION

Zurn Z546 21-1/2" diameter top drain features Dura-Coated cast iron body with bottom outlet, seepage pan, and combination membrane flashing clamp and frame with seepage holes, extra heavy-duty, cast iron, slotted grate with suspended sediment bucket.

A Pipe Size inch [mm]	Grate Open Area sq in [cm ²]	Approximate Weight lb [kg]
8 [203]	110 [710]	163 [74]
10 [254]		
12 [305]		



PREFIXES	DESCRIPTION	PIPE SIZE	LIST PRICE
Z546*	D.C.C.I. Body and Top	8"	3,289.00
		10"	3,413.00
		12"	3,576.00

OUTLETS (SPECIFY PIPE SIZE IN INCHES AND TYPE OF OUTLET)

OUTLET TYPE	PIPE SIZE/OUTLET TYPE	E BODY HT. DIM.	ADD	
NH	No-Hub	8NH, 10NH, 12NH	7-5/16"	N/C

SUFFIXES

SUFFIXES	DESCRIPTION	E BODY HT. DIM.	ADD
-F	Extension Frame - 1"-4" (Specify Height)	D.C.	1,228.00
		Galv.	1,854.00
-G	Galvanized Cast Iron		1,638.00
-TS	Top Secured with Slotted Screws		263.00
-VP	Vandal-Proof Secured Top		293.00

BEST SELLER	LIST PRICE
Z546-12NH-F4	4,804.00

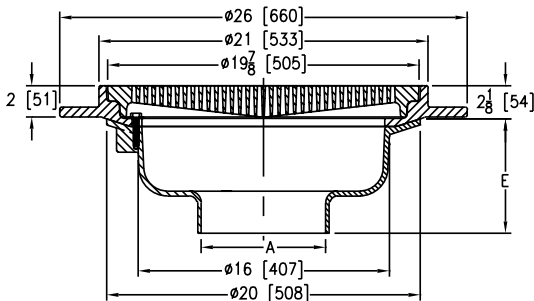
Z547 21" DIAMETER EXTRA HEAVY-DUTY HEEL-PROOF PARKING DECK DRAIN WITH SUPPORT FLANGE



ENGINEERING SPECIFICATION

Zurn Z547 21" diameter parking deck drain features Dura-Coated cast iron body with bottom outlet, combination membrane flashing clamp with support flange, and extra heavy-duty, heel-proof, slotted grate.

A Pipe Size inch [mm]	Grate Open Area sq in [cm ²]	Approximate Weight lb [kg]
8 [203]	112 [723]	163 [74]
10 [254]		
12 [305]		



PREFIXES	DESCRIPTION	PIPE SIZE	LIST PRICE
Z547*	D.C.C.I. Body and Flange (with Duresist Grate)	8"	3,943.00
		10"	4,093.00
		12"	4,288.00

OUTLETS (SPECIFY PIPE SIZE IN INCHES AND TYPE OF OUTLET)

OUTLET TYPE	PIPE SIZE/OUTLET TYPE	E BODY HT. DIM.	ADD	
NH	No-Hub	8NH, 10NH, 12NH	7-5/16"	N/C

SUFFIXES

SUFFIXES	DESCRIPTION	E BODY HT. DIM.	ADD
-G	Galvanized Cast Iron		1,571.00
-TS	Top Secured with Slotted Screws		251.00
-VP	Vandal-Proof Secured top		284.00

BEST SELLER	LIST PRICE
Z547-8NH	3,943.00

Z550 9" DIAMETER MEDIUM-DUTY DRAIN



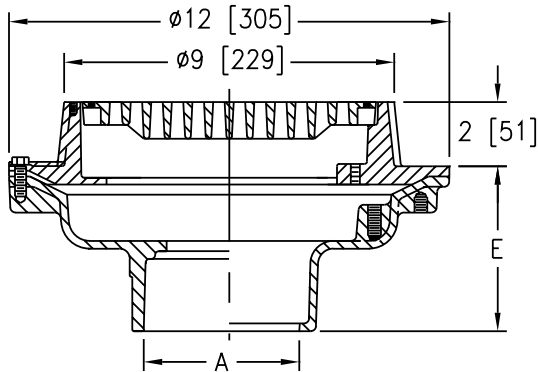
ENGINEERING SPECIFICATION

Zurn Z550 9" diameter top drain features Dura-Coated cast iron body with bottom outlet, seepage pan, and combination membrane flashing clamp and frame for medium-duty cast iron, heel-proof, slotted grate.

NOTES

†Add 3/16" to 2" dimension and 3/4" to 9" dimension for ZN

A Pipe Size inch [mm]	Grate Open Area sq in [cm ²]	Approximate Weight lb [kg]
2 [51], 3 [76], 4 [102]	18 [116]	28 [13]
6 [152]		30 [14]



PREFIXES	DESCRIPTION	PIPE SIZE	LIST PRICE
Z550*	D.C.C.I. Body and Top	2", 3", 4"	633.00
		6"	802.00
ZN550	D.C.C.I. Body with Polished Nickel Bronze Top	2", 3", 4"	1,296.00
		6"	1,464.00

OUTLETS (SPECIFY PIPE SIZE IN INCHES AND TYPE OF OUTLET)				
OUTLET TYPE		PIPE SIZE/OUTLET TYPE	E BODY HT. DIM.	ADD
IC	Inside Caulk	3IC, 4IC	3-3/4"	N/C
IG	Inside Gasket	3IG, 4IG	3-3/4"	N/C
IP	Threaded	3IP, 4IP	2-3/4"	102.00
NH	No-Hub	2NH, 3NH, 4NH	4-3/4"	N/C
		6NH	5-1/4"	N/C
NL	Neo-Loc	2NL, 3NL, 4NL	3-1/2"	N/C

SUFFIXES		ADD	
-AR	Acid Resisting Epoxy Coated Cast Iron	623.00	
-D	Dome Grate	Z	107.00
		ZB	362.00
		ZN	458.00
-G	Galvanized Cast Iron	533.00	
-P	Trap Primer Connection	187.00	
-S	Secondary Strainer	60.00	
-SS	Stainless Mesh Liner for Bucket	362.00	
Ⓢ -TC	Neo-Loc Test Cap Gasket (2", 3", 4" NL Bottom Outlet Only)	32.00	
-TG	Tractor Grate	176.00	
-TS	Top Secured with Slotted Screws	162.00	
-TSP	Trap Seal Protection Device (Size Matches Drain Outlet Selected, See Z1072)	POA	
-VP	Vandal-Proof Secured Top	186.00	
-Y	Sediment Bucket	176.00	
-90	90° Threaded Side Outlet Body Assembly (3", 4")	422.00	

BEST SELLERS	LIST PRICE
Z550-3NH	633.00
Z550-3NH-Y	809.00
Z550-3NL	633.00
Z550-3NL-P	820.00
Z550-3NL-P-Y	996.00
Z550-3NL-Y	809.00
Z550-4NH	633.00
Z550-4NH-P	820.00
Z550-4NH-P-Y	996.00
Z550-4NH-Y	809.00
Z550-4NL	633.00
Z550-4NL-P	820.00
Z550-4NL-Y	809.00

*Regularly furnished unless otherwise specified.

Items designated as Best Sellers are most specified and are generally in stock for shipment.

Ⓢ This symbol denotes a product that is engineered to reduce installation and rework time.

For additional product information, please visit www.zurn.com

Z551 9" DIAMETER MEDIUM-DUTY DRAIN



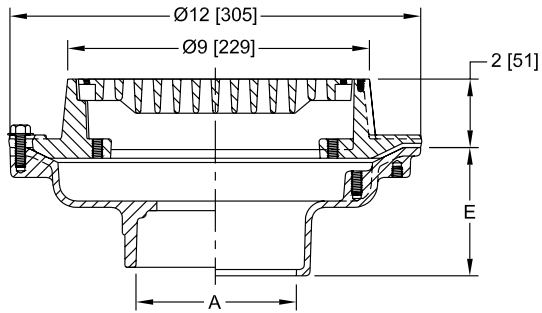
ENGINEERING SPECIFICATION

Zurn Z551 9" diameter top drain features Dura-Coated cast iron body with bottom outlet, seepage pan and combination membrane flashing clamp and frame with integrated trap primer and plug for medium-duty, cast iron, heel-proof, slotted, Duresist grate.

NOTES

†Add 3/16" to 2" dimension and 3/4" to 9" dimension for ZN

A Pipe Size inch [mm]	Grate Open Area sq in [cm ²]	Approximate Weight lb [kg]
2 [51], 3 [76], 4 [102]	18 [116]	28 [13]
6 [152]		30 [14]



PREFIXES	DESCRIPTION	PIPE SIZE	LIST PRICE
Z551*	D.C.C.I. Body and Top	2", 3", 4", 6"	429.00
ZN551	D.C.C.I. Body with Polished Nickel Bronze Top	2", 3", 4", 6"	1,194.00

OUTLETS (SPECIFY PIPE SIZE IN INCHES AND TYPE OF OUTLET)				
OUTLET TYPE		PIPE SIZE/OUTLET TYPE	E BODY HT. DIM.	ADD
IC	Inside Caulk	3IC, 4IC	3-3/4"	N/C
IG	Inside Gasket	3IG, 4IG	3-3/4"	N/C
IP	Threaded	3IP, 4IP	2-3/4"	102.00
NH	No-Hub	2NH, 3NH, 4NH	4-3/4"	N/C
		6NH	5-1/4"	N/C
NL	Neo-Loc	2NL, 3NL, 4NL	3-1/2"	N/C
SUFFIXES				ADD
-AR	Acid Resisting Epoxy Coated Cast Iron			593.00
-D	Dome Grate		Z	107.00
			ZN	458.00
-G	Galvanized Cast Iron			308.00
-S	Secondary Strainer			56.00
-SS	Stainless Mesh Liner for Bucket			362.00
Ⓢ -TC	Neo-Loc Test Cap Gasket (2", 3", 4" NL Bottom Outlet Only)			32.00
-TG	Tractor Grate			176.00
-TS	Top Secured with Slotted Screws			162.00
-VP	Vandal-Proof Secured Top			186.00
-Y	Sediment Bucket			176.00
-90	90° Threaded Side Outlet Body Assembly (2" thru 4" Only)			402.00
BEST SELLERS				LIST PRICE
Z551-4NH				429.00
Z551-4NL				429.00

Z554 9" MEDIUM-DUTY DRAIN WITH SUR-SET BUCKET



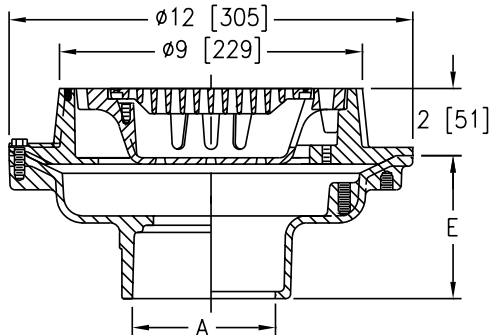
ENGINEERING SPECIFICATION

Zurn Z554 9" diameter top drain features Dura-Coated cast iron body with bottom outlet, seepage pan, combination membrane flashing clamp and frame, and medium-duty cast iron grate with Sur-Set bucket.

NOTES

†Add 3/16" to 2" dimension and 3/4" to 9" for ZN

A Pipe Size inch [mm]	Grate Open Area sq in [cm ²]	Approximate Weight lb [kg]
2 [51], 3 [76], 4 [102]	9 [58]	21 [10]



PREFIXES	DESCRIPTION	PIPE SIZE	LIST PRICE
Z554*	D.C.C.I. Body and Top	2", 3", 4"	784.00
ZN554	D.C.C.I. Body with Polished Nickel Bronze Top	2", 3", 4"	1,440.00

OUTLETS (SPECIFY PIPE SIZE IN INCHES AND TYPE OF OUTLET)			
OUTLET TYPE	PIPE SIZE/ OUTLET TYPE	E BODY HT. DIM.	ADD
IP	Threaded	4IP	2-3/4" 102.00
NH	No-Hub	2NH, 3NH, 4NH	4-3/4" N/C
NL	Neo-Loc	2NL, 3NL, 4NL	3-1/2" N/C

SUFFIXES		ADD
-AR	Acid Resisting Epoxy Coated Cast Iron	665.00
-G	Galvanized Cast Iron	583.00
-TC	Neo-Loc Test Cap Gasket (2", 3", 4" NL Bottom Outlet Only)	32.00
-TS	Top Secured with Slotted Screws	162.00
-VP	Vandal-Proof Secured Top	186.00

BEST SELLER	LIST PRICE
Z554-4NH	784.00

Z556 8" ADJUSTABLE HEAVY-DUTY DRAIN



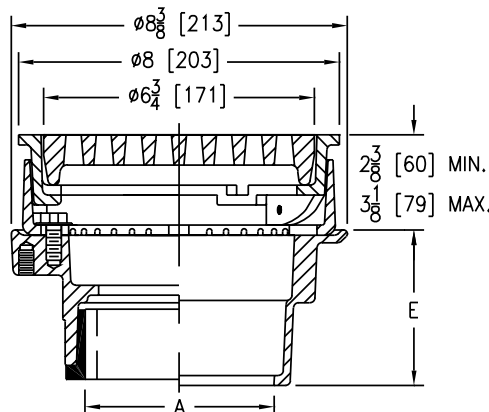
ENGINEERING SPECIFICATION

Zurn Z556 8" diameter top drain features Dura-Coated cast iron body with bottom outlet, seepage pan, and combination membrane flashing clamp and frame for adjustable extension with heavy-duty, slotted, cast iron grate.

NOTES

†Add 3/16" to 2-3/8" through 3-1/8" dimension for ZB and ZN

A Pipe Size inch [mm]	Grate Open Area sq in [cm ²]	Approximate Weight lb [kg]
2 [51], 3 [76], 4 [102]	11 [71]	19 [9]



PREFIXES	DESCRIPTION	PIPE SIZE	LIST PRICE
Z556*	D.C.C.I. Body and Top	2", 3", 4"	542.00
ZN556	D.C.C.I. Body with Polished Nickel Bronze Top	2", 3", 4"	1,194.00

OUTLETS (SPECIFY PIPE SIZE IN INCHES AND TYPE OF OUTLET)			
OUTLET TYPE	PIPE SIZE/ OUTLET TYPE	E BODY HT. DIM.	ADD
IP	Threaded	2IP, 3IP, 4IP	2-5/8" 102.00
NH	No-Hub	2NH, 3NH, 4NH	3-7/8" N/C
NL	Neo-Loc	2NL, 3NL, 4NL	3-3/4" N/C

SUFFIXES		ADD
-G	Galvanized Cast Iron	533.00
-P	Trap Primer Connection	187.00
-TS	Top Secured with Slotted Screws	162.00
-VP	Vandal-Proof Secured Top	186.00
-Y	Sediment Bucket	176.00

BEST SELLER	LIST PRICE
ZN556-4NL-Y	1,370.00

*Regularly furnished unless otherwise specified.

Items designated as Best Sellers are most specified and are generally in stock for shipment.

⌚ This symbol denotes a product that is engineered to reduce installation and rework time.

For additional product information, please visit www.zurn.com

Z566 12" SQUARE OPEN TOP DRAIN



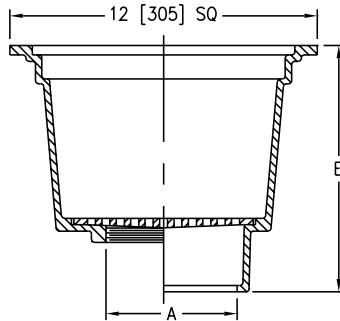
ENGINEERING SPECIFICATION

Zurn Z566 12" square open top drain features Dura-Coated cast iron body with bottom outlet and loose set cast iron secondary strainer.

NOTES

†Add 3/16" to 'E' dimension for ZN

A Pipe Size inch [mm]	Approximate Weight lb [kg]
2 [51], 3 [76], 4 [102]	42 [19]



PREFIXES	DESCRIPTION	PIPE SIZE	LIST PRICE
Z566*	D.C.C.I. Body	2", 3", 4"	1,046.00
ZN566	D.C.C.I. Body with Polished Nickel Bronze Top	2", 3", 4"	2,042.00
OUTLETS (SPECIFY PIPE SIZE IN INCHES AND TYPE OF OUTLET)			
OUTLET TYPE	PIPE SIZE/OUTLET TYPE	E BODY HT. DIM.	ADD
IP	Threaded	3IP, 4IP	7-5/8" 102.00
NL	Neo-Loc	2NL, 3NL, 4NL	9" N/C
SUFFIXES			ADD
-AR	Acid Resisting Epoxy Coated Cast Iron		923.00
-G	Galvanized Cast Iron		706.00
-GT	Top Grate		Z 243.00 ZN 723.00
Ⓢ -TC	Neo-Loc Test Cap Gasket (2", 3", 4" NL Bottom Outlet Only)		32.00
-Y	Sediment Bucket		302.00
BEST SELLERS			LIST PRICE
Z566-4NL-GT-Y			1,591.00
ZN566-4NL-GT-Y			3,067.00

Z575 6" X 12" MEDIUM-DUTY GUTTER DRAIN



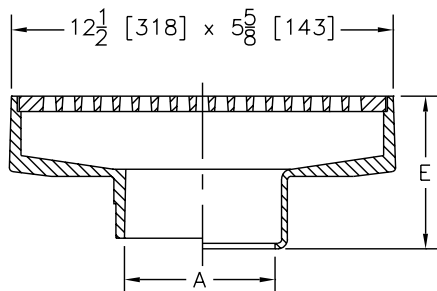
ENGINEERING SPECIFICATION

Zurn Z575 6" x 12" top gutter drain features Dura-Coated cast iron body with bottom outlet and medium-duty, cast iron, anti-tilt, slotted grate.

NOTES

†Add 3/16" to 'E' dimension for ZB and ZN

A Pipe Size inch [mm]	Grate Open Area sq in [cm ²]	Approximate Weight lb [kg]
2 [51], 3 [76], 4 [102]	24 [155]	18 [8]



PREFIXES	DESCRIPTION	PIPE SIZE	LIST PRICE
Z575*	D.C.C.I. Body and Top	2", 3", 4"	641.00
ZB575	D.C.C.I. Body with Polished Bronze Top	2", 3", 4"	1,338.00
ZN575	D.C.C.I. Body with Polished Nickel Bronze Top	2", 3", 4"	1,426.00
OUTLETS (SPECIFY PIPE SIZE IN INCHES AND TYPE OF OUTLET)			
OUTLET TYPE	PIPE SIZE/OUTLET TYPE	E BODY HT. DIM.	ADD
IP	Threaded	2IP, 3IP, 4IP	3-5/8" 102.00
NH	No-Hub (IP w/Z1040)	3NH, 4NH	- N/C
NL	Neo-Loc	3NL, 4NL	4-1/2" N/C
SUFFIXES			ADD
-DG	Duresist Grate		381.00
-G	Galvanized Cast Iron		614.00
-K	Seepage Pan		258.00
-KC	Seepage Pan with Clamp Collar		473.00
Ⓢ -TC	Neo-Loc Test Cap Gasket (2", 3", 4" NL Bottom Outlet Only)		32.00
-TS	Top Secured with Slotted Screws		162.00
-V	Backwater Valve (See Z1099)		N/C
-VP	Vandal-Proof Secured Top		186.00

Z609 9" SQUARE HEAVY-DUTY DRAIN



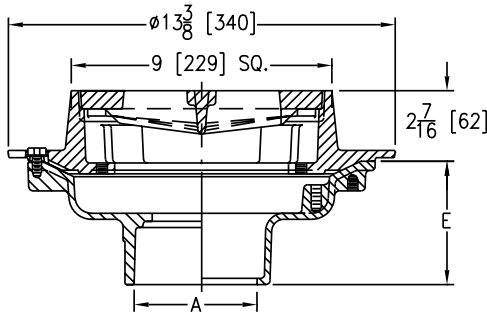
ENGINEERING SPECIFICATION

Zurn Z609 9" square top drain features Dura-Coated cast iron body with bottom outlet, seepage pan, heavy-duty, cast iron, anti-tilt, slotted grate, and combination membrane flashing clamp and frame.

NOTES

†Add 3/16" to 2-7/16" dimension and 3/4" to 9" dimension for ZN

A Pipe Size inch [mm]	Grate Open Area sq in [cm ²]	Approximate Weight lb [kg]
2 [51], 3 [76], 4 [102]	14 [90]	32 [15]



PREFIXES	DESCRIPTION	PIPE SIZE	LIST PRICE
Z609*	D.C.C.I. Body and Top	2", 3", 4"	1,082.00
ZN609	D.C.C.I. Body with Polished Nickel Bronze Top	2", 3", 4"	1,880.00
OUTLETS (SPECIFY PIPE SIZE IN INCHES AND TYPE OF OUTLET)			
OUTLET TYPE	PIPE SIZE/OUTLET TYPE	E BODY HT. DIM.	ADD
IC	Inside Caulk	2IC, 3IC, 4IC	3-3/4" N/C
IG	Inside Gasket	2IG, 3IG, 4IG	3-3/4" N/C
IP	Threaded	2IP, 3IP, 4IP	2-3/4" 102.00
NH	No-Hub (IP w/Z1040)	2NH, 3NH, 4NH	4-3/4" N/C
NL	Neo-Loc	2NL, 3NL, 4NL	3-1/2" N/C
SUFFIXES			ADD
-AR	Acid Resisting Epoxy Coated Cast Iron		623.00
-DG	Duresist Grate		263.00
-F	2" High Extension (Per Inch)		61.00
-G	Galvanized Cast Iron		521.00
-GG	Galvanized Grate		198.00
-H	Hinged Grate		223.00
-HL	Hinged Locking Grate		514.00
-P	Trap Primer Connection (1/2"*)		187.00
-S	Secondary Strainer		60.00
-SC	Solid Cover		601.00
-SS	Stainless Steel Mesh Liner for Bucket		356.00
-TC	Neo-Loc Test Cap Gasket (2", 3", 4" NL Bottom Outlet Only)		32.00
-TS	Top Secured with Slotted Screws		162.00
-V	Backwater Valve (See Z1099)		N/C
-VP	Vandal-Proof Secured Top		186.00
-Y	Sediment Bucket		176.00
-90	90° Threaded Side Outlet Body Assembly (2" thru 4" Only)		422.00

*Regularly furnished unless otherwise specified.

Items designated as Best Sellers are most specified and are generally in stock for shipment.

⌚ This symbol denotes a product that is engineered to reduce installation and rework time.

For additional product information, please visit www.zurn.com

Z610 12-1/2" HEAVY-DUTY DRAIN



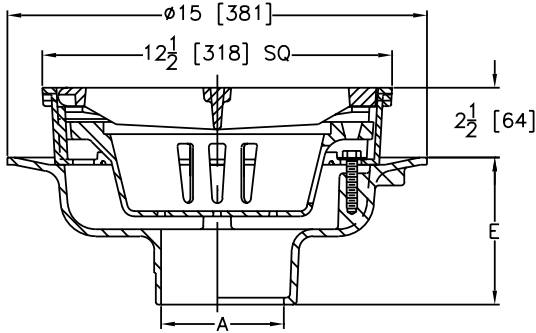
ENGINEERING SPECIFICATION

Zurn Z610 12-1/2" square top drain features Dura-Coated cast iron body with bottom outlet, seepage pan, and combination membrane flashing clamp and frame for heavy-duty, loose, slotted, duriest grate with suspended polypropylene sediment bucket.

NOTES

†Add 3/16" to 2-1/2" dimension and 3/4" to 12-1/2" dimension for ZN

A Pipe Size inch [mm]	Grate Open Area sq in [cm ²]	Approximate Weight lb [kg]
2 [51], 3 [76], 4 [102], 6 [152]	42 [271]	54 [24]
8 [203]		56 [25]



PREFIXES	DESCRIPTION	PIPE SIZE	LIST PRICE
Z610*	D.C.C.I. Body and Top	2", 3", 4", 6"	1,846.00
		8"	2,219.00
ZN610	D.C.C.I. Body with Polished Nickel Bronze Top	2", 3", 4", 6"	3,201.00
		8"	3,562.00

OUTLETS (SPECIFY PIPE SIZE IN INCHES AND TYPE OF OUTLET)				
OUTLET TYPE		PIPE SIZE/OUTLET TYPE	E BODY HT. DIM.	ADD
IC	Inside Caulk	3IC, 4IC, 6IC	5-1/4"	N/C
IG	Inside Gasket	3IG, 4IG, 6IG	5-1/4"	N/C
IP	Threaded	2IP, 3IP, 4IP, 6IP	3-3/4"	102.00
NH	No-Hub	2NH, 3NH, 4NH, 6NH, 8NH	5-1/4"	N/C
NL	Neo-Loc	2NL, 3NL, 4NL	4-5/8"	N/C

SUFFIXES		ADD
-AR	Acid Resisting Epoxy Coated Cast Iron	1,138.00
-DS	Ductile Iron Solid Cover	940.00
-DX	Dex-O-Tex Flange (ZN only)	1,463.00
-F	2" High Extension	409.00
-G	Galvanized Cast Iron	1,103.00
-H	Hinged Grate	302.00
-HC	Hinged Solid Cover	661.00
-HL	Hinged Locking Grate	686.00
-HLC	Hinged Locking Cover	718.00
-P	Trap Primer Connection	187.00
-S	Secondary Strainer	123.00
Ⓢ -SA	Stabilizer Assembly (See Z1036)	184.00
-SS	Stainless Mesh Liner for Bucket	518.00
Ⓢ -TC	Neo-Loc Test Cap Gasket (2", 3", 4" NL Bottom Outlet Only)	32.00
-TS	Top Secured with Slotted Screws	162.00
-TSP	Trap Seal Protection Device (Size Matches Drain Outlet Selected, See Z1072)	POA
-V	Backwater Valve (See Z1099)	N/C
-VP	Vandal-Proof Secured Top	186.00
-YC	Cast Iron Sediment Bucket	340.00
-90	90° Threaded Side Outlet Body Assembly	453.00

DEDUCT	
-LY	Less Sediment Bucket

BEST SELLERS	LIST PRICE
Z610-3NL	1,846.00
Z610-4NH	1,846.00
Z610-4NH-HL	2,532.00
Z610-4NH-S	1,969.00
Z610-4NL	1,846.00
Z610-4NL-HC	2,507.00
Z610-4NL-P	2,033.00
Z610-4NL-S	1,969.00
ZN610-4NL	3,201.00
Z610-6NH	1,846.00
Z610-6NL	1,846.00
Z610-8NH	2,219.00

Z611 9" MEDIUM-DUTY DRAIN



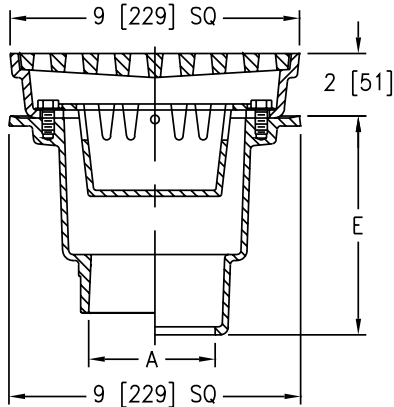
ENGINEERING SPECIFICATION

Zurn Z611 9" square top drain features Dura-Coated cast iron body with bottom outlet, seepage pan, and combination membrane flashing clamp and frame for cast iron, medium-duty, slotted grate with suspended sediment bucket.

NOTES

†Add 3/16" to 2" and 9" dimension for ZB and ZN

A Pipe Size inch [mm]	Grate Open Area sq in [cm ²]	Approximate Weight lb [kg]
2 [51], 3 [76], 4 [102]	26 [168]	29 [13]



PREFIXES	DESCRIPTION	PIPE SIZE	LIST PRICE
Z611*	D.C.C.I. Body and Top	2", 3", 4"	1,258.00
ZB611	D.C.C.I. Body with Polished Bronze Top	2", 3", 4"	1,853.00
ZN611	D.C.C.I. Body with Polished Nickel Bronze Top	2", 3", 4"	2,069.00

OUTLETS (SPECIFY PIPE SIZE IN INCHES AND TYPE OF OUTLET)			
OUTLET TYPE		PIPE SIZE/OUTLET TYPE	E BODY HT. DIM. ADD
IP	Threaded	2IP, 3IP, 4IP	5" 102.00
NH	No-Hub (IP w/Z1040)	2NH, 3NH, 4NH	7-1/2" N/C
NL	Neo-Loc	2NL, 3NL, 4NL	6-1/8" N/C

SUFFIXES			ADD
-AR	Acid Resisting Epoxy Coated Cast Iron		690.00
-DG	Duresist Grate		305.00
-G	Galvanized Cast Iron		533.00
-P	Trap Primer Connection		187.00
-S	Secondary Strainer		61.00
Ⓢ -TC	Neo-Loc Test Cap Gasket (2", 3", 4" NL Bottom Outlet Only)		32.00
-V	Backwater Valve (See Z1099)		N/C
-VP	Vandal-Proof Secured Top		186.00
-90	90° Side Outlet Body Assembly (2", 3" Threaded Only)		198.00

DEDUCT

-LY	Less Sediment Bucket	-102.00
-----	----------------------	---------

BEST SELLERS		LIST PRICE
Z611-4NH		1,258.00
Z611-4NL		1,258.00

*Regularly furnished unless otherwise specified.

Items designated as Best Sellers are most specified and are generally in stock for shipment.

Ⓢ This symbol denotes a product that is engineered to reduce installation and rework time.

For additional product information, please visit www.zurn.com

Z624 ISOLATION DECK DRAIN



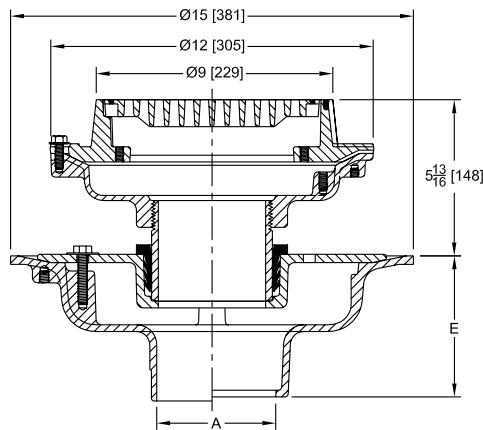
ENGINEERING SPECIFICATION

Zurn Z624 floating slab drain features Dura-Coated cast iron upper and lower bodies, clamp collar with weep holes, neoprene flex gasket, isolation nipple, and slotted grate.

NOTES

†Add 3/16" to 4-15/16" dimension for ZN

A Pipe Size inch [mm]	Grate Open Area sq in [cm ²]	Approximate Weight lb [kg]
2 [51], 3 [76], 4 [102]	18 [116]	42 [19]
6 [152]		



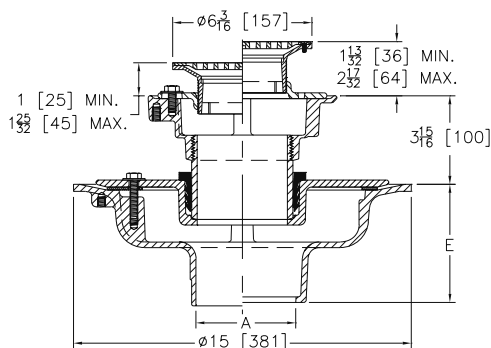
Z625 ADJUSTABLE ISOLATION DECK DRAIN



ENGINEERING SPECIFICATION

Zurn ZN625 adjustable isolation deck drain features Dura-Coated cast iron upper and lower bodies, upper and lower clamp collars, neoprene flex gasket, isolation nipple, and adjustable 6" diameter nickel bronze strainer.

A Pipe Size inch [mm]	Grate Open Area sq in [cm ²]	Approximate Weight lb [kg]
2 [51], 3 [76], 4 [102]	9 [58]	42 [19]
6 [152]		



PREFIXES	DESCRIPTION	PIPE SIZE	LIST PRICE
Z624*	D.C.C.I. Body and Top	2", 3", 4"	2,210.00
		6"	2,607.00
ZN624	D.C.C.I. Body with Polished Nickel Bronze Top	2", 3", 4"	2,653.00
		6"	3,045.00

OUTLETS (SPECIFY PIPE SIZE IN INCHES AND TYPE OF OUTLET)			
OUTLET TYPE	PIPE SIZE/OUTLET TYPE	E BODY HT. DIM.	ADD
NH	No-Hub	2NH, 3NH, 4NH, 6NH	5-1/4" N/C
NL	Neo-Loc	2NL, 3NL, 4NL	4-5/8" N/C
SUFFIXES			ADD
-C	Underdeck Clamp (Lower Body)		304.00
-G	Galvanized Cast Iron		1,486.00
-R	Sump Receiver (Lower Body)		339.00
-TS	Top Secured with Slotted Screws		162.00
-VP	Vandal-Proof Secured Top		186.00
-Y	Sediment Bucket (Upper Body)		183.00
BEST SELLERS			LIST PRICE
Z624-3NH			2,210.00
ZN624-3NH			2,653.00
ZN624-4NH			2,653.00
Z624-6NH			2,607.00

PREFIXES	DESCRIPTION	PIPE SIZE	LIST PRICE
ZN625*	D.C.C.I. Body with Polished Nickel Bronze Top	2", 3", 4"	1,878.00
		6"	2,274.00
ZB625	D.C.C.I. Body with Polished Bronze Top	2", 3", 4"	1,806.00
		6"	2,202.00
OUTLETS (SPECIFY PIPE SIZE IN INCHES AND TYPE OF OUTLET)			
OUTLET TYPE	PIPE SIZE/OUTLET TYPE	E BODY HT. DIM.	ADD
NH	No-Hub	2NH, 3NH, 4NH, 6NH	5-1/4" N/C
NL	Neo-Loc	2NL, 3NL, 4NL	4-5/8" N/C
SUFFIXES			ADD
-C	Underdeck Clamp (Lower Body)		304.00
-G	Galvanized Cast Iron		1,417.00
Ⓞ-PC	Protective Cover		81.00
-R	Sump Receiver (Lower Body)		339.00
-U	3" High Extension Adapter (Upper Body)		176.00
-VP	Vandal-Proof Secured Top		75.00
-Y	Sediment Bucket (Upper Body)		137.00
BEST SELLERS			LIST PRICE
ZN625-3NH			1,878.00
ZN625-4NH			1,878.00

Z627 HEAVY-DUTY ADJUSTABLE ISOLATION DECK DRAIN



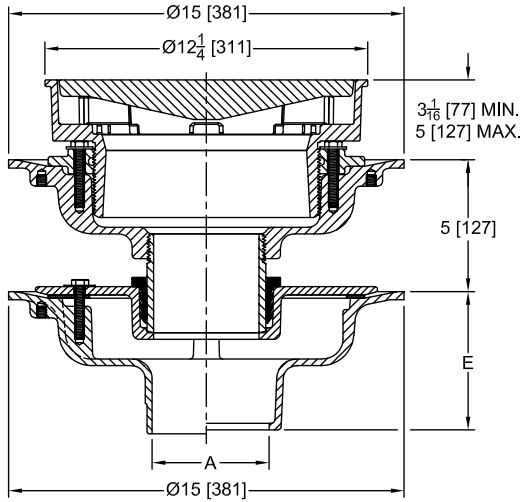
ENGINEERING SPECIFICATION

Zurn Z627 adjustable isolation deck drain features Dura-Coated cast iron upper and lower bodies, clamp collar, neoprene flex gasket, isolation nipple, and 8" diameter round, heavy-duty grate.

NOTES

†Add 3/16" to 1-3/8" through 3-5/8" dimension and 3/4" to 9" dimension for ZN

A Pipe Size inch [mm]	Grate Open Area sq in [cm ²]	Approximate Weight lb [kg]
2 [51], 3 [76], 4 [102]	18 [116]	65 [29]
6 [152]		



PREFIXES	DESCRIPTION	PIPE SIZE	LIST PRICE
Z627*	D.C.C.I. Body and Top	2", 3", 4"	1,728.00
		6"	2,124.00
ZN627	D.C.C.I. Body with Polished Nickel Bronze Top	2", 3", 4"	2,385.00
		6"	2,777.00

OUTLETS (SPECIFY PIPE SIZE IN INCHES AND TYPE OF OUTLET)				
OUTLET TYPE	PIPE SIZE/OUTLET TYPE	E BODY HT. DIM.	ADD	
NH	No-Hub	2NH, 3NH, 4NH, 6NH	5-1/4"	N/C
NL	Neo-Loc	2NL, 3NL, 4NL	4-5/8"	N/C

SUFFIXES			ADD
-C	Underdeck Clamp (Lower Body)		304.00
-G	Galvanized Cast Iron		1,709.00
-R	Sump Receiver (Lower Body)		339.00
-TS	Top Secured with Slotted Screws		162.00
-VP	Vandal-Proof Secured Top		186.00

BEST SELLERS		LIST PRICE
Z627-3NH		1,728.00
Z627-3NH-VP		1,914.00
ZN627-3NH		2,385.00

*Regularly furnished unless otherwise specified.

Items designated as Best Sellers are most specified and are generally in stock for shipment.

⌚ This symbol denotes a product that is engineered to reduce installation and rework time.

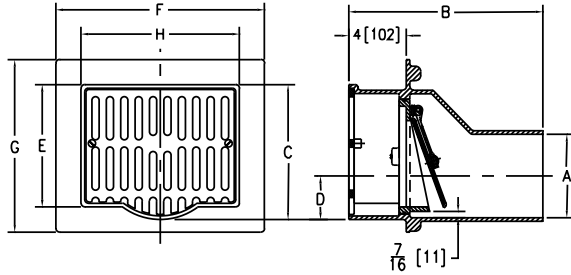
For additional product information, please visit www.zurn.com

Z629 VERTICAL WALL DRAIN WITH BACKWATER VALVE



ENGINEERING SPECIFICATION

Zurn Z629 vertical wall drain features Dura-Coated cast iron body, bronze valve assembly, and secured slotted grate.



PREFIXES	DESCRIPTION	PIPE SIZE	LIST PRICE
Z629*	D.C.C.I. Body with Cast Iron Grate	3", 4"	2,460.00
		6"	3,700.00
ZN629	D.C.C.I. Body with Polished Nickel Bronze Grate	3", 4"	3,619.00
		6"	4,855.00
OUTLETS (SPECIFY PIPE SIZE IN INCHES AND TYPE OF OUTLET)			
OUTLET TYPE	PIPE SIZE/OUTLET TYPE		ADD
NH	No-Hub	3NH, 4NH, 6NH	N/C
SUFFIXES			
			ADD
-C	Clamping Collar		332.00
-G	Galvanized Cast Iron		819.00
-VP	Vandal-Proof Secured Top		107.00
			DEDUCT
-LV	Less Backwater Valve	3", 4"	-542.00
		6"	-1304.00

Dimensions in inches [mm]								Grate Open Area sq in [cm ²]	Approximate Weight lb [kg]
A Pipe Size	B	C	D	E	F	G	H		
3 [76]	13 [330]	7-5/8 [178]	1-1/2 [38]	6-7/8 [175]	12-3/4 [324]	11 [279]	9-1/4 [235]	20 [129]	47 [21]
4 [102]			2 [51]						
6 [152]	13-1/2 [343]	9-3/8 [238]	3-1/8 [79]	8-1/2 [216]	14-1/2 [368]	12 [305]	11 [279]	33 [213]	58 [26]

Z645 12-1/2" X 12-1/2" HEAVY-DUTY DRAIN



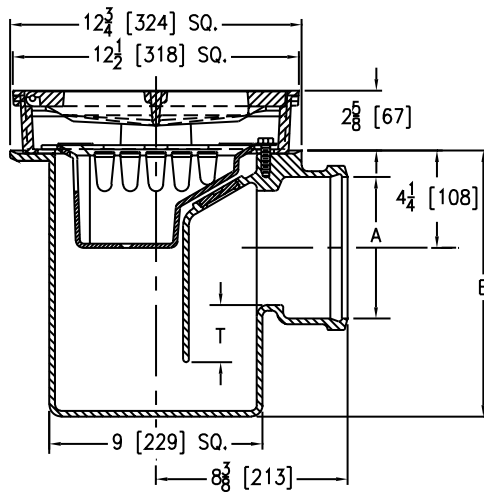
ENGINEERING SPECIFICATION

Zurn Z645 12-1/2" x 12-1/2" top drain features Dura-Coated cast iron body with side outlet, internal trap with bronze cleanout plug, seepage pan, and combination membrane flashing clamp and frame for cast iron, hinged, heavy-duty, slotted grate with suspended aluminum sediment bucket.

NOTES

+Add 3/16" to 2-5/8" dimension and 3/4" to 12-1/2" dimension for ZN

Dimensions in inches [mm]		Grate Open Area sq in [cm ²]	Approximate Weight lb [kg]
A Pipe Size	M		
3 [76]	3-1/2 [89]	44 [284]	112 [51]
4 [102]	3 [76]		



PREFIXES	DESCRIPTION	PIPE SIZE	LIST PRICE
Z645*	D.C.C.I. Body and Top	3", 4"	3,364.00
ZN645	D.C.C.I. Body with Polished Nickel Bronze Top	3", 4"	4,792.00
OUTLETS (SPECIFY PIPE SIZE IN INCHES AND TYPE OF OUTLET)			
OUTLET TYPE	PIPE SIZE/OUTLET TYPE	E BODY HT. DIM.	ADD
IC	Inside Caulk	3IC, 4IC	11-5/8" N/C
SUFFIXES			ADD
-AR	Acid Resisting Epoxy Coated Cast Iron		2,058.00
-G	Galvanized Cast Iron		1,808.00
-P	Trap Primer Connection (Specify 1/2" or 3/4")		187.00
-VP	Vandal-Proof Secured Top		186.00
BEST SELLER			LIST PRICE
Z645-4IC			3,364.00

*Regularly furnished unless otherwise specified.

Items designated as Best Sellers are most specified and are generally in stock for shipment.

⌚ This symbol denotes a product that is engineered to reduce installation and rework time.

For additional product information, please visit www.zurn.com

Z662 16" HEAVY-DUTY DRAIN



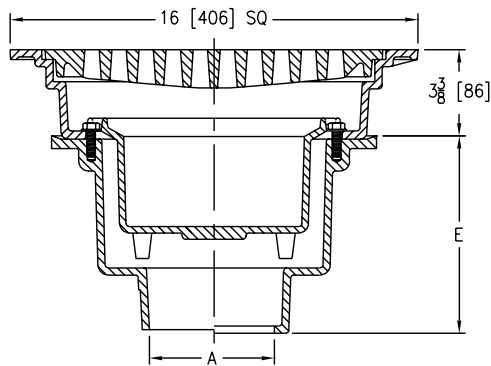
ENGINEERING SPECIFICATION

Zurn Z662 16" square top drain features Dura-Coated cast iron body with bottom outlet, seepage pan, and combination membrane flashing clamp and frame for heavy-duty, slotted, loose grate with suspended sediment bucket.

NOTES

*Add 3/16" to 3-3/8" through 3-5/8" dimension and 11/16" to 16" dimension for ZB and ZN

A Pipe Size inch [mm]	Grate Open Area sq in [cm ²]	Approximate Weight lb [kg]
3 [76], 4 [102]	53 [342]	95 [43]
6 [152]		98 [44]



PREFIXES	DESCRIPTION	PIPE SIZE	LIST PRICE
Z662*	D.C.C.I. Body and Top	3", 4", 6"	3,307.00
ZB662	D.C.C.I. Body with Polished Bronze Top	3", 4", 6"	5,088.00
ZN662	D.C.C.I. Body with Polished Nickel Bronze Top	3", 4", 6"	5,553.00

OUTLETS (SPECIFY PIPE SIZE IN INCHES AND TYPE OF OUTLET)				
OUTLET TYPE	PIPE SIZE/OUTLET TYPE	E BODY HT. DIM.	ADD	
IC	Inside Caulk	4IC, 6IC	7-3/4"	N/C
IG	Inside Caulk w/ Sealrol Gasket	4IG, 6IG	7-3/4"	N/C
IP	Threaded	4IP, 6IP	6-5/16"	102.00
NH	No-Hub	3NH, 4NH, 6NH	7-13/16"	N/C
NL	Neo-Loc	3NL, 4NL	7-3/16"	N/C

SUFFIXES	ADD	
-DG	Duresist Grate	690.00
-G	Galvanized Cast Iron	1,710.00
-HP	Heel-Proof Grate	801.00
Ⓢ -PK	Precast Kit	553.00
-SS	Stainless Steel Mesh Liner for Bucket	518.00
Ⓢ -TC	Neo-Loc Test Cap Gasket (3", 4" Bottom Outlet Only)	32.00
-TS	Top Secured with Slotted Screws	162.00
-TSP	Trap Seal Protection Device (Size Matches Drain Outlet Selected, See Z1072)	POA
-VP	Vandal-Proof Secured Top	186.00
-YA	Aluminum Sediment Bucket	473.00

DEDUCT		
-LY	Less Sediment Bucket	-210.00

BEST SELLERS	LIST PRICE
Z662-3NH-DG-G-HP-VP-YA	7,167.00
Z662-3NH-HP-VP	4,294.00
Z662-3NL-HP-VP	4,294.00
Z662-4NH	3,307.00
Z662-4NH-DG	3,997.00
Z662-4NH-G	5,017.00
Z662-4NH-PK	3,860.00
Z662-4NH-PK-G	5,570.00
Z662-4NH-PK-G-VP	5,756.00
Z662-4NL	3,307.00
Z662-6IP-DG-VP	4,285.00
Z662-6NH	3,307.00
Z662-6NH-G	5,017.00
Z662-6NH-HP-VP	4,294.00

Z662-HF 16" HEAVY-DUTY DRAIN WITH HIGH FLOW DUCTILE IRON GRATE



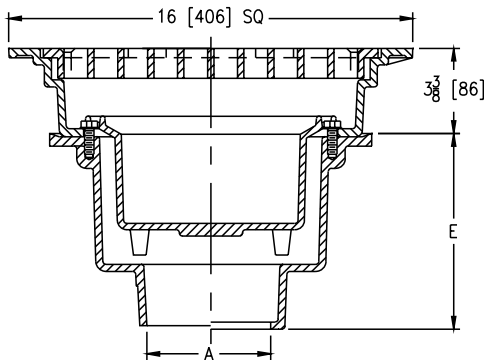
ENGINEERING SPECIFICATION

Zurn Z662-HF 16" square top drain features Dura-Coated cast iron body with bottom outlet, seepage pan, and combination membrane flashing clamp and frame for heavy-duty, high flow ductile iron grate with suspended sediment bucket.

NOTES

†Add 3/16" to 3-3/8" through 3-5/8" dimension and 11/16" to 16" dimension for ZB and ZN

A Pipe Size inch [mm]	Grate Open Area sq in [cm ²]	Approximate Weight lb [kg]
3 [76], 4 [102]	103 [665]	86 [39]
6 [152]		89 [40]



PREFIXES	DESCRIPTION	PIPE SIZE	LIST PRICE
Z662-HF*	D.C.C.I. Body and Top	3", 4", 6"	4,073.00
ZN662-HF	D.C.C.I. Body with Polished Nickel Bronze Top	3", 4", 6"	6,152.00

OUTLETS (SPECIFY PIPE SIZE IN INCHES AND TYPE OF OUTLET)

OUTLET TYPE	PIPE SIZE/OUTLET TYPE	E BODY HT. DIM.	ADD
IC	Inside Caulk	4IC, 6IC	7-3/4" N/C
IG	Inside Caulk w/ Sealrol Gasket	4IG, 6IG	7-3/4" N/C
IP	Threaded	4IP, 6IP	6-5/16" 102.00
NH	No-Hub	3NH, 4NH, 6NH	7-13/16" N/C
NL	Neo-Loc	3NL, 4NL	7-3/16" N/C

SUFFIXES

SUFFIXES	DESCRIPTION	ADD
-SS	Stainless Steel Mesh Liner for Bucket	518.00
Ⓢ -TC	Neo-Loc Test Cap Gasket (3", 4" Bottom Outlet Only)	29.00
-TS	Top Secured with Slotted Screws	162.00
-VP	Vandal-Proof Secured Top	186.00
-YA	Aluminum Sediment Bucket	473.00
		DEDUCT
-LY	Less Sediment Bucket	-213.00

*Regularly furnished unless otherwise specified.

Items designated as Best Sellers are most specified and are generally in stock for shipment.

Ⓢ This symbol denotes a product that is engineered to reduce installation and rework time.

For additional product information, please visit www.zurn.com

Z664 6" WIDE HEAVY-DUTY MODULAR TRENCH DRAIN



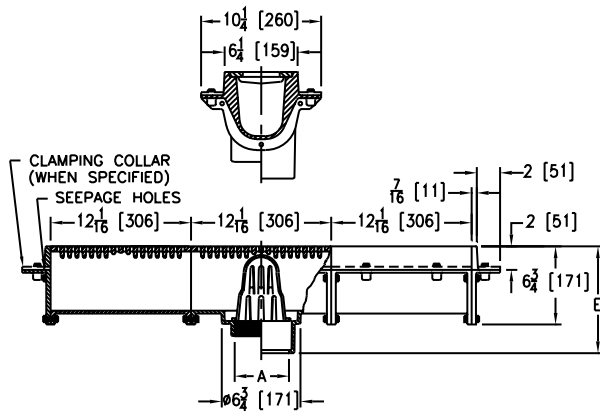
ENGINEERING SPECIFICATION

Zurn Z664 6" wide top modular trench drain features Dura-Coated cast iron drain section with bottom outlet and secondary dome strainer. Both 12" long outlet module and extension modules are complete with integral seepage pan and loose heavy-duty, slotted, heel-proof grate.

NOTES

†Add 1/8 [203] to 'E' and 2" dimension for ZB and ZN

A Pipe Size inch [mm]	Grate Open Area sq in [cm ²]	Approximate Weight lb [kg]
2 [51], 3 [76], 4 [102]	14 [90]	35 [16]



PREFIXES	DESCRIPTION	PIPE SIZE	LIST PRICE
Z664*	D.C.C.I. Body and Top	2", 3", 4"	1,281.00
ZB664	D.C.C.I. Body with Polished Bronze Top	2", 3", 4"	2,732.00
ZN664	D.C.C.I. Body With Veneers (304SS Standard)	2", 3", 4"	2,885.00

OUTLETS (SPECIFY PIPE SIZE IN INCHES AND TYPE OF OUTLET)			
OUTLET TYPE	PIPE SIZE/OUTLET TYPE	E BODY HT. DIM.	ADD
IC	Inside Caulk	2IC, 3IC, 4IC	9-1/8" N/C
IP	Threaded	2IP, 3IP, 4IP	9-1/8" 102.00
NH	No-Hub (IP w/Z1040)	2NH, 3NH, 4NH	- N/C
NL	Neo-Loc	2NL, 3NL, 4NL	8-3/8" N/C

SUFFIXES		ADD
-AR	Acid Resisting Epoxy Coated Cast Iron (Per Section)	683.00
-C	Clamp Collar (Per Section)	198.00
-DG	Duresist Grate (Per Section)	404.00
-ES	12" Extension Section (Specify Number of Sections Required)	Z 1,281.00 ZB 2,732.00 ZN 2,885.00
-G	Galvanized Cast Iron (Per Section)	402.00
-M	Side Outlet Adapter Via End Plate	362.00
-SQ	Square Hole Grate (Per Section) (Z Only)	952.00
-V	Backwater Valve (See Z1099) (Per Outlet)	N/C
-VP	Vandal-Proof Secured Top (Per Section)	302.00
-Y	Sediment Bucket (Per Outlet Section)	364.00

BEST SELLERS		LIST PRICE
Z664-4IP-ES(7)		10,350.00
Z664-4NH(8)-DG-ES(80)		113,132.00
Z664-4NH-ES(13)		17,934.00
Z664-4NL-ES(15)		20,496.00
Z664-4NL-ES(9)		12,810.00
Z664-ES		1,281.00

Z665 12" WIDE HEAVY-DUTY MODULAR TRENCH DRAIN



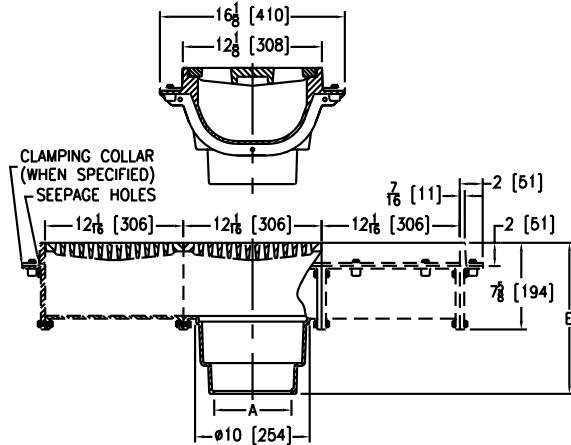
ENGINEERING SPECIFICATION

Zurn Z665 12" wide top modular trench drain features Dura-Coated cast iron deep sump body with bottom outlet. Both 12" long outlet module and extension modules are complete with integral seepage pan and heavy-duty, loose, slotted grate.

NOTES

†Add 1/8" to 'E' and 2" dimension for ZB and ZN

A Pipe Size inch [mm]	Grate Open Area sq in [cm ²]	Approximate Weight lb [kg]
2 [51], 3 [76], 4 [102]	35 [226]	100 [45]
5 [127], 6 [152]		110 [50]



PREFIXES	DESCRIPTION	PIPE SIZE	LIST PRICE
Z665*	D.C.C.I. Body and Top	2", 3", 4", 5", 6"	2,415.00
ZB665	D.C.C.I. Body with Polished Bronze Top	2", 3", 4", 5", 6"	3,601.00
ZN665	D.C.C.I. Body With Veneers (304SS Standard)	2", 3", 4", 5", 6"	3,780.00

OUTLETS (SPECIFY PIPE SIZE IN INCHES AND TYPE OF OUTLET)			
OUTLET TYPE	PIPE SIZE/OUTLET TYPE	E BODY HT. DIM.	ADD
IC	Inside Caulk	2IC, 3IC, 4IC, 5IC, 6IC	13-3/16" N/C
IG	Inside Caulk w/ Sealrol Gasket	2IG, 3IG, 4IG, 6IG	13-3/16" N/C
NL	Neo-Loc	2NL, 3NL, 4NL	12-1/2" N/C

SUFFIXES			ADD
-AR	Acid Resisting Epoxy Coated Cast Iron (Per Section)		948.00
-C	Clamp Collar (Per Section)		198.00
-DB	Bottom Dome Strainer (Per Outlet Section)		354.00
-DG	Duresist Grate (Per Section)		885.00
-ES	12" Extension Section (Specify Number of Sections Required)	Z	2,415.00
		ZB	3,540.00
		ZN	3,780.00
-G	Galvanized Cast Iron (Per Section)		796.00
-M	Side Outlet Adapter Via End Plate		475.00
-SB	Shallow Body (Bucket not available with this option.)		N/C
-SQ	Square Slotted Medium-Duty Grate (Per Section)		N/C
-TC	Neo-Loc Test Cap Gasket (2", 3", 4" NL Bottom Outlet Only)		32.00
-VP	Vandal-Proof Secured Top (Per Section)		302.00
-Y	Sediment Bucket (Per Outlet Section)		698.00

BEST SELLERS		LIST PRICE
Z665-3NL(3)-DB-DG-ES(12)		50,562.00
Z665-3NL-ES(23)		57,960.00
Z665-4NL		2,415.00
Z665-4NL-DB-DG-ES(8)		30,054.00
Z665-4NL-ES(18)		45,885.00
Z665-4NL-ES(19)		48,300.00
Z665-4NL-ES(23)		57,960.00
Z665-4NL-ES(31)		77,280.00
Z665-4NL-Y-ES(8)		22,433.00
Z665-6IG		2,415.00
Z665-6IG-ES(53)		130,410.00

*Regularly furnished unless otherwise specified.

Items designated as Best Sellers are most specified and are generally in stock for shipment.

⌚ This symbol denotes a product that is engineered to reduce installation and rework time.

For additional product information, please visit www.zurn.com

Z667 6" WIDE MEDIUM-DUTY MODULAR TRENCH DRAIN



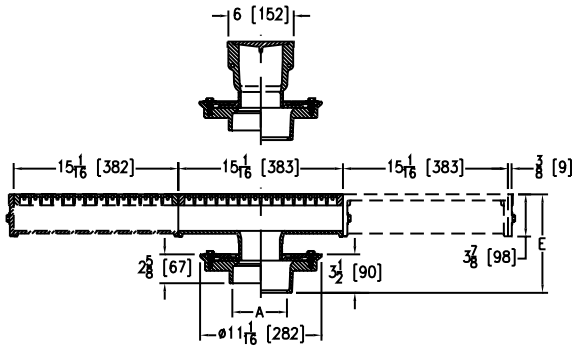
ENGINEERING SPECIFICATION

Zurn Z667 6" wide top sectional trench drain features Dura-Coated cast iron bottom outlet section, vertically and horizontally adjustable in cast iron drain section, with seepage pan and membrane clamp. Both 15" long outlet module section and extension modules are complete with loose, medium-duty, slotted grate.

NOTES

†Add 1/8" to 'E' dimension for ZN

A Pipe Size inch [mm]	Grate Open Area sq in [cm ²]	Approximate Weight lb [kg]
3 [76], 4 [102]	27 [174]	40 [18]



PREFIXES	DESCRIPTION	PIPE SIZE	LIST PRICE	
Z667*	D.C.C.I. Body and Top	3", 4"	1,251.00	
ZN667	D.C.C.I. Body with Polished Nickel Bronze Top	3", 4"	2,799.00	
OUTLETS (SPECIFY PIPE SIZE IN INCHES AND TYPE OF OUTLET)				
OUTLET TYPE	PIPE SIZE/ OUTLET TYPE	E BODY HT. DIM.	ADD	
NL	Neo-Loc	3NL, 4NL	7-15/16" min.; 8-11/16" max.	N/C
SUFFIXES			ADD	
-AR	Acid Resisting Epoxy Coated Cast Iron (Per Section)		676.00	
-ES	15" Extension Section (Specify Number of Sections Required)	Z	1,251.00	
		ZN	2,799.00	
-G	Galvanized Cast Iron (Per Section)		385.00	
-TC	Neo-Loc Test Cap Gasket (3", 4" NL Bottom Outlet Only)		32.00	
-TS	Top Secured with Slotted Screws (Per Section)		226.00	
-VP	Vandal-Proof Secured Top (Per Section)		302.00	
BEST SELLERS			LIST PRICE	
Z667-3NL-ES(1)			2,502.00	
Z667-3NL-ES(2)			3,753.00	
Z667-4NL-ES(7)			10,008.00	

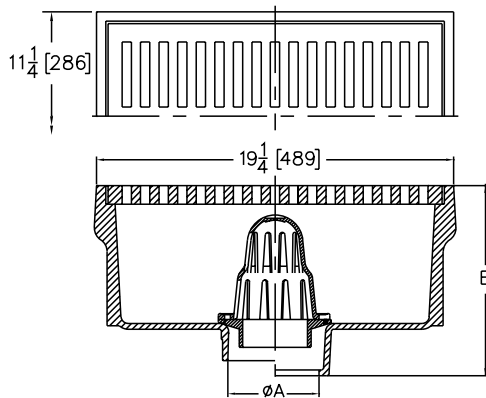
Z668 11-1/4" X 19-1/4" HEAVY-DUTY DRAIN



ENGINEERING SPECIFICATION

Zurn Z668 11-1/4" x 19-1/4" top drain features Dura-Coated cast iron body with bottom outlet, less seepage pan, secondary strainer, and loose, heavy-duty, slotted grate.

A Pipe Size inch [mm]	Grate Open Area sq in [cm ²]	Approximate Weight lb [kg]
4 [102], 6 [152]	60 [387]	115 [52]



PREFIXES	DESCRIPTION	PIPE SIZE	LIST PRICE	
Z668*	D.C.C.I. Body and Top	4", 6"	8,227.00	
OUTLETS (SPECIFY PIPE SIZE IN INCHES AND TYPE OF OUTLET)				
OUTLET TYPE	PIPE SIZE/ OUTLET TYPE	E BODY HT. DIM.	ADD	
IC	Inside Caulk	4IC	10-1/4"	N/C
IG	Inside Caulk w/ Sealrol Gasket	4IG	10-1/4"	N/C
IP	Threaded	4IP, 6IP	8-5/8"	102.00
NH	No-Hub (IP w/Z1040)	4NH, 6NH	11-1/8"	N/C
NL	Neo-Loc	4NL	9-1/2"	N/C
SUFFIXES			ADD	
-AR	Acid Resisting Epoxy Coated Cast Iron		4,695.00	
-DG	Duresist Grate		2,443.00	
-G	Galvanized Cast Iron		4,073.00	
-TC	Neo-Loc Test Cap Gasket (4" NL Bottom Outlet Only)		32.00	
-TS	Top Secured with Slotted Screws		263.00	
-V	Backwater Valve (See Z1099)		N/C	
-VP	Vandal-Proof Secured Top		302.00	
BEST SELLERS			LIST PRICE	
Z668-4NH			8,227.00	
Z668-6NH			8,227.00	

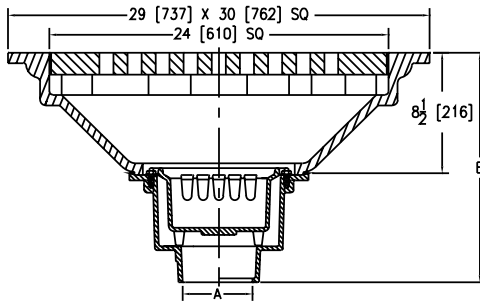
Z673 29" X 30" EXTRA HEAVY-DUTY DRAIN



ENGINEERING SPECIFICATION

Zurn Z673 29" x 30" top drain features Dura-Coated cast iron body with bottom outlet, seepage pan, and combination membrane flashing clamp and frame for cast iron, extra heavy-duty, loose, slotted grate with suspended sediment bucket.

A Pipe Size inch [mm]	Grate Open Area sq in [cm ²]	No. of Grates	Approximate Weight lb [kg]
4 [102]	166 [1071]	2	294 [133]
6 [152]			314 [142]



PREFIXES	DESCRIPTION	PIPE SIZE	LIST PRICE
Z673*	D.C.C.I. Body and Top	4", 6"	52,939.00

OUTLETS (SPECIFY PIPE SIZE IN INCHES AND TYPE OF OUTLET)

OUTLET TYPE	PIPE SIZE/OUTLET TYPE	E BODY HT. DIM.	ADD
IP	Threaded	4IP	102.00
NH	No-Hub	4NH, 6NH	N/C

SUFFIXES

SUFFIXES	ADD
-DG	Duresist Grate 18,099.00
-G	Galvanized Cast Iron 4,532.00
-SS	Stainless Steel Mesh Liner for Bucket 518.00
-TS	Top Secured with Slotted Screws 656.00
-VP	Vandal-Proof Secured Top 750.00

BEST SELLER

BEST SELLER	LIST PRICE
Z673-4NH	52,939.00

*Regularly furnished unless otherwise specified.

Items designated as Best Sellers are most specified and are generally in stock for shipment.

🕒 This symbol denotes a product that is engineered to reduce installation and rework time.

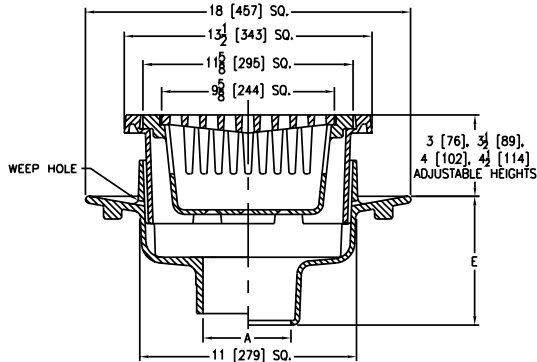
Z675 13-1/2" EXTRA HEAVY-DUTY DRAIN



ENGINEERING SPECIFICATION

Zurn Z675 13-1/2" square top drain features Dura-Coated cast iron body with bottom outlet, seepage pan, and vertically adjustable, four-position frame for Duresist extra heavy-duty, loose, slotted grate with suspended sediment bucket.

A Pipe Size inch [mm]	Grate Open Area sq in [cm ²]	Approximate Weight lb [kg]
3 [76], 4 [102], 6 [152]	72 [465]	110 [50]



PREFIXES	DESCRIPTION	PIPE SIZE	LIST PRICE
Z675*	D.C.C.I. Body and Duresist Top	3", 4", 6"	4,097.00

OUTLETS (SPECIFY PIPE SIZE IN INCHES AND TYPE OF OUTLET)

OUTLET TYPE	PIPE SIZE/OUTLET TYPE	E BODY HT. DIM.	ADD
IC	Inside Caulk	4IC	7-1/8" N/C
IG	Inside Gasket	4IG	7-1/8" N/C
IP	Threaded	3IP, 4IP, 6IP	7-1/8" 102.00
NH	No-Hub (IP w/ Z1040)	3NH, 4NH, 6NH	9-5/8" See Z1040
NL	Neo-Loc	3NL, 4NL	7-5/8" N/C

SUFFIXES

SUFFIXES	DESCRIPTION	ADD
-AR	Acid Resisting Epoxy Coated Cast Iron	2,212.00
-C	Clamp Collar	706.00
-G	Galvanized Cast Iron	2,095.00
-TS	Top Secured with Slotted Screws	162.00
-VP	Vandal-Proof Secured Top	186.00

BEST SELLERS

BEST SELLERS	LIST PRICE
Z675-4IC-C	4,803.00
Z675-4IC-C-VP	4,989.00
Z675-4IG-AR-C-VP	7,201.00

Z676 13-1/2" EXTRA HEAVY-DUTY DRAIN



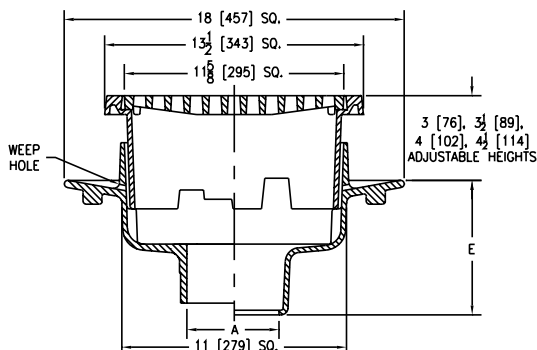
ENGINEERING SPECIFICATION

Zurn Z676 13-1/2" square top drain features Dura-Coated cast iron body with bottom outlet, seepage pan, and vertically adjustable, four-position frame for Duresist extra heavy-duty, loose, slotted grate.

NOTES

*Add 3/4" to 13-1/2" dimension and 3/16" to 'E' dimension for ZN

A Pipe Size inch [mm]	Grate Open Area sq in [cm ²]	Approximate Weight lb [kg]
3 [76], 4 [102], 6 [152]	72 [465]	95 [43]



PREFIXES	DESCRIPTION	PIPE SIZE	LIST PRICE
Z676*	D.C.C.I. Body and Top	3", 4", 6"	3,859.00
ZN676	D.C.C.I. Body with Polished Nickel Bronze Top	3", 4", 6"	5,616.00

OUTLETS (SPECIFY PIPE SIZE IN INCHES AND TYPE OF OUTLET)

OUTLET TYPE	PIPE SIZE/OUTLET TYPE	E BODY HT. DIM.	ADD
IC	Inside Caulk	4IC	7-1/8" N/C
IG	Inside Gasket	4IG	7-1/8" N/C
IP	Threaded	3IP, 4IP, 6IP	7-1/8" 102.00
NH	No-Hub (IP w/ Z1040)	3NH, 4NH, 6NH	9-5/8" See Z1040
NL	Neo-Loc	3NL, 4NL	7-5/8" N/C

SUFFIXES

SUFFIXES	DESCRIPTION	ADD
-AR	Acid Resisting Epoxy Coated Cast Iron	2,212.00
-C	Clamp Collar	706.00
-G	Galvanized Cast Iron	2,095.00
-TS	Top Secured with Slotted Screws	162.00
-VP	Vandal-Proof Secured Top	186.00
-Y	Sediment Bucket	230.00

BEST SELLER

BEST SELLER	LIST PRICE
Z676-6IP-G-Y	6,286.00

Z730 9" TOP MEDIUM-DUTY DRAIN

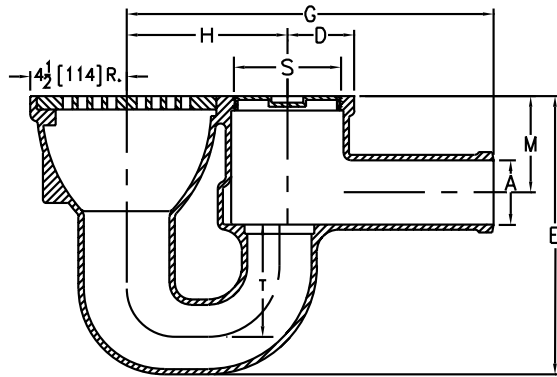


ENGINEERING SPECIFICATION

Zurn Z730 9" diameter top drain features Dura-Coated cast iron body with integral double wall trap and side outlet, bronze floor level cleanout plug, and medium-duty, loose, slotted grate.

NOTES

†Add 3/16" to M and E dimensions for ZN



PREFIXES	DESCRIPTION	PIPE SIZE	LIST PRICE
Z730*	D.C.C.I. Body and Top	3"	2,585.00
		4"	3,708.00
ZN730	D.C.C.I. Body with Polished Nickel Bronze Top	3"	3,580.00
		4"	5,144.00
OUTLETS (SPECIFY PIPE SIZE IN INCHES AND TYPE OF OUTLET)			
OUTLET TYPE	PIPE SIZE/OUTLET TYPE	E BODY HT. DIM.	LIST PRICE
SP	Spigot	3SP	N/C
		4SP	N/C
SUFFIXES			ADD
-DG	Duresist Grate		321.00
-G	Galvanized Cast Iron		928.00
-J	Auxiliary Inlet Connection		429.00
-K	Anchor Flange		N/C
-P	Trap Primer Connection		187.00
-V	Backwater Valve (See Z1099)	3"	819.00
		4"	892.00
-VP	Vandal-Proof Secured Top		186.00
-Y	Sediment Bucket		156.00
BEST SELLER			LIST PRICE
ZN730-3SP-K-VP-Y			3,922.00

Dimensions in inches [mm]							Grate Open Area sq in [cm ²]	Approximate Weight lb [kg]
A Pipe Size	Cleanout Plug Size S	Rad. D	G	H	M	T		
3 [76]	4-1/2 [114] NPT	3-1/8 [79]	17-1/8 [203]	7-1/2 [191]	4-1/4 [108]	4 [102]	23 [148]	54 [24]
4 [102]	5-1/2 [140] NPT	3-5/8 [92]	19-3/8 [238]		4-3/4 [121]	5 [127]		79 [36]

*Regularly furnished unless otherwise specified.

Items designated as Best Sellers are most specified and are generally in stock for shipment.

⌚ This symbol denotes a product that is engineered to reduce installation and rework time.

For additional product information, please visit www.zurn.com

INTRO ROOF DRAINS FLOOR DRAINS T, P, BW VALVES INTERCEPTORS CARRIERS HYDRANTS CLEANOUTS WHA SS DRAINS SANI-FLOOR TECH INFO

Z742 LIGHT-DUTY TRAP DRAIN

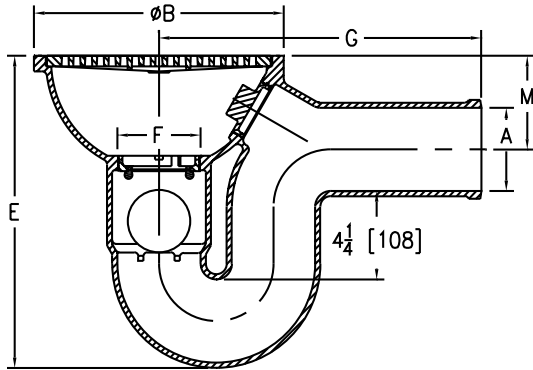


ENGINEERING SPECIFICATION

Zurn Z742 8", 10" or 12" diameter top drain features Dura-Coated cast iron body with integral double wall trap and side outlet, ball float type backwater valve, internal bronze cleanout, and light-duty, loose, slotted grate.

NOTES

*Add 3/16" to 'E' dimension for ZB and ZN



PREFIXES	DESCRIPTION	PIPE SIZE	LIST PRICE
Z742*	D.C.C.I. Body and Top	2"	1,106.00
		3"	1,523.00
		4"	2,131.00
ZB742	D.C.C.I. Body with Polished Bronze Top	2"	1,593.00
		3"	2,018.00
		4"	2,625.00
ZN742	D.C.C.I. Body with Polished Nickel Bronze Top	2"	1,644.00
		3"	2,067.00
		4"	2,667.00

OUTLETS (SPECIFY PIPE SIZE IN INCHES AND TYPE OF OUTLET)				
OUTLET TYPE		PIPE SIZE/OUTLET TYPE	E BODY HT. DIM.	LIST PRICE
SP	Spigot	2SP	10-3/4"	N/C
		3SP	12-3/4"	N/C
		4SP	15"	N/C
SUFFIXES				ADD
-G	Galvanized Cast Iron			606.00
-TS	Top Secured with Slotted Screws			162.00
-VP	Vandal-Proof Secured Top			186.00
				DEDUCT
-LV	Less Backwater Valve		2"	-123.00
			3", 4"	-243.00
BEST SELLER				LIST PRICE
Z742-4SP				2,131.00

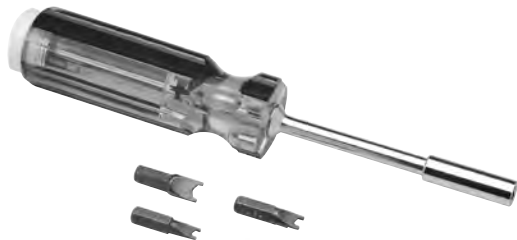
Dimensions in inches [mm]					Grate Open Area sq in [cm ²]	Approximate Weight lb [kg]
A Pipe Size	F	B	G	M		
2 [51]	2 [51]	8-1/4 [210]	10-1/8 [203]	3-1/2 [89]	13 [84]	17 [8]
3 [76]	3-1/2 [89]	10-1/2 [267]	12-1/2 [318]	4 [102]	19 [122]	36 [16]
4 [102]		12 [305]	15-1/2 [140]	4-1/2 [114]	40 [258]	54 [24]

VP-DRIVER VANDAL-PROOF DRIVER

ENGINEERING SPECIFICATION

Zurn vandal proof screwdriver

PREFIXES	DESCRIPTION	LIST PRICE
VP-Driver	Vandal-Proof Driver	51.00



TRAPS, PRIMERS, AND BACKWATER VALVES

TRAPS, PRIMERS, AND BACKWATER VALVES – APPLICATION INDEX	150
TRAPS, PRIMERS, AND BACKWATER VALVES – OPTIONS AND VARIATIONS	150
Z1072 ZSHIELD™ BARRIER TRAP SEAL DEVICE FOR FLOOR DRAINS	151
Z1000 DEEP SEAL TRAP	152
Z1019 FUNNEL DRAIN WITH "P" TRAP	152
Z1020XL ELECTRONIC TRAP PRIMER	153
Z1021 WATER SAVER TRAP PRIMER WITH 1-1/2" COPPER SWEAT WALL CONNECTION	153
Z1022-XL LEAD-FREE SANI-GARD AUTOMATIC TRAP PRIMER	154
Z1023 TRAP PRIMER CONNECTION ADAPTER	154
Z1024 FIXED AIR GAP	155
Z1025 FIXED AIR GAP	155
Z1030 HUB ADAPTER	156
Z1032 INSIDE CAULK REDUCER	156
Z1033 FEMALE PIPE THREAD REDUCER	157
Z1034 FEMALE PIPE ECCENTRIC REDUCER	157
🕒 Z1035 FLOOR DRAIN INSTALLATION STABILIZER	158
🕒 Z1035-Q STRUCTURAL DECK DRAIN STABILIZER	158
🕒 Z1036 FLOOR DRAIN INSTALLATION STABILIZER	159
Z1040 NO-HUB ADAPTER	159
Z1042 ELBOW ADAPTER	160
Z1088 BACKWATER VALVE GATE TYPE	160
Z1090 BACKWATER VALVE FLAPPER TYPE	161
Z1091 BACKWATER VALVE FLAPPER TYPE	161
Z1095 BACKWATER VALVE FLAPPER TYPE	162
Z1099 BACKWATER VALVE BALL FLOAT TYPE	163

TRAPS, PRIMERS, AND BACKWATER VALVES – APPLICATION INDEX

APPLICATION	RECOMMENDED DRAINAGE PRODUCT
Deep Seal Trap	Z1000, Z1019, Z1021
Trap Primer	Z1020, Z1021, Z1022
Trap Primer Connection Adapter	Z1023
Fixed Air Gap	Z1024, Z1025
Pipe Thread to Hub Adapter	Z1030
Inside Caulk Reducing Ring	Z1032
Iron Pipe Flush Bushing	Z1033
Eccentric Iron Pipe Threaded Bushing	Z1034
Floor Drain Stabilizer Plate	Z1035, Z1035-Q, Z1036
Pipe Thread to 90° No-Hub Adapter	Z1040
Pipe Thread to 90° No-Hub Elbow Adapter	Z1042
Gate Type Sanitary Sewer Backwater Valve	Z1088
Storm Sewer Backwater Valve	Z1088, Z1090, Z1091, Z1095
Bottom Outlet Floor Drain Backwater Valve	Z1099

TRAPS, PRIMERS, AND BACKWATER VALVES – OPTIONS AND VARIATIONS

All Zurn backwater valve and trap optional variations are specified as a prefix and/or suffix letter or number added to the series designation. Below are the available options.

PREFIXES	DESCRIPTION	SUFFIXES	DESCRIPTION
Z	Standard Assembly or D.C.C.I. Body	-DU3	3-Outlet Distribution Unit
ZAB	Bronze Body with Polished Bronze Top	-DU4	4-Outlet Distribution Unit
ZABN	Bronze Body with Polished Nickel Bronze Top	-FC	Adjustable Floor Cleanout (See Z1400)
ZARB	All Plain Bronze Body	-FL	Flushing Connection
ZB	D.C.C.I. Body with Polished Bronze Top	-F6	6" Diameter Funnel
ZN	D.C.C.I. Body with Polished Nickel Bronze Top	-G	Galvanized Cast Iron
		-LC	Less Cleanout and Plug
SUFFIXES	DESCRIPTION	-P	Trap Primer Connection (1/2" or 3/4")
-AR	Acid Resisting Epoxy Coated Finish	-V	Backwater Valve
-BP	Bronze Threaded Plug Cover	-WH	Wheel Handle
-BC	Bolted Cover	-WL	One-Piece Waste Elbow
-BV	Bronze Flapper Valve	-3	3/4" Connection
-C	Clamping Collar	-7	7" Long Adapter
-CP	Chrome-Plated Finish	-12	12" Extension
-DS	Dome Strainer	-24	24" Extension
-DU	Additional Distribution Units		
-DU2	2-Outlet Distribution Unit		

For additional product information, please visit www.zurn.com

*Regularly furnished unless otherwise specified.

Items designated as Best Sellers are most specified and are generally in stock for shipment.

Ⓢ This symbol denotes a product that is engineered to reduce installation and rework time.

Z1072 ZSHIELD™ BARRIER TRAP SEAL DEVICE FOR FLOOR DRAINS

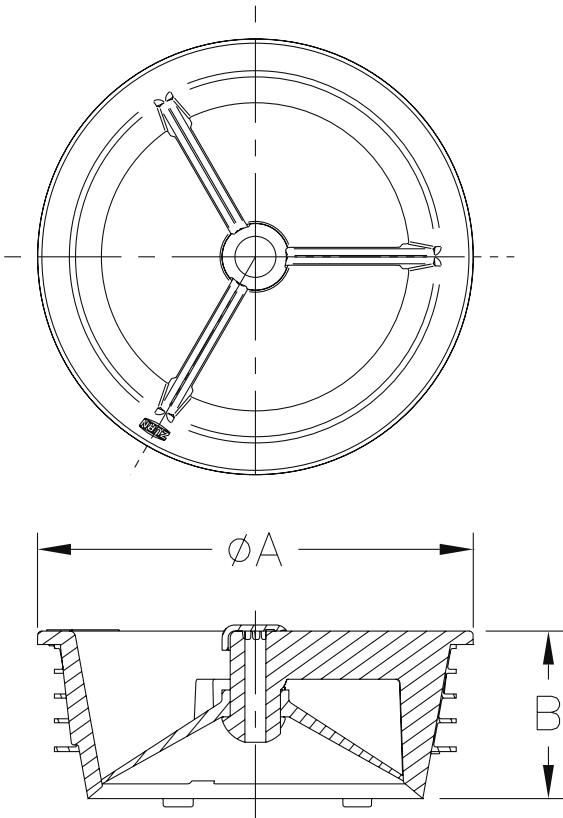


ENGINEERING SPECIFICATION

Zurn Z1072 ZShield Barrier trap seal device for use with floor drains to minimize trap evaporation. Product is comprised of an ABS rigid structure, silicone gasket and seal for 2", 3", 3-1/2", and 4" sizes. Device is engineered to comply with the performance requirements of ASSE 1072 standard and is third party listed with IAPMO (UPC), ICC (ICC cES PMG) and ASSE.

NOTE

-TSP Suffix Option listed on select drains



Product Designation	Dimensions in inches [mm]		ASSE 1072 Required Flow Rate G.P.M [L.P.M]
	A Pipe Size	B	
-2	2.20 [56]	1.22 [31]	12 [45.4]
-3	3.25 [83]	1.25 [32]	34 [128.7]
-3.5	3.53 [90]	1.30 [33]	52 [196.8]
-4	4.13 [105]	1.30 [33]	73 [276.4]

PREFIXES	DESCRIPTION	PRODUCT DESIG.	PIPE SIZE	LIST PRICE
Z1072	ABS Rigid Body with Silicone Gasket and Seal	-2	2"	POA
		-3	3"	POA
		-3.5	3-1/2"	POA
		-4	4"	POA

*Regularly furnished unless otherwise specified.

Items designated as Best Sellers are most specified and are generally in stock for shipment.

⌚ This symbol denotes a product that is engineered to reduce installation and rework time.

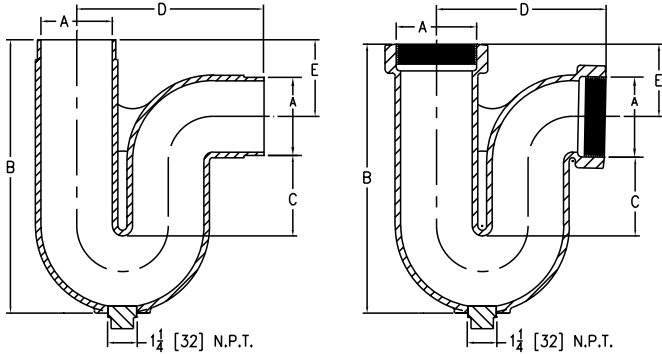
For additional product information, please visit www.zurn.com

Z1000 DEEP SEAL TRAP



ENGINEERING SPECIFICATION

Zurn Z1000 deep seal trap features Dura-Coated cast iron body with bottom bronze cleanout plug.



BEST SELLERS	LIST PRICE
Z1000-3NH-P	1,130.00
Z1000-4NH	1,379.00

A Pipe Size/ Outlet Type	Dimensions in inches [mm]				Approximate Weight lb [kg]
	B	C	D	E	
Threaded (IP)					
2IP	9-1/2 [241]	4 [102]	5-7/8 [149]	1-3/4 [44]	8 [4]
3IP	13 [330]	5 [127]	7-1/2 [191]	3 [76]	17 [8]
4IP	15 [381]		9-1/2 [241]	4 [102]	32 [15]
No-Hub (NH)					
2NH	10-1/2 [267]	4 [102]	6-1/2 [165]	2-3/4 [70]	8 [4]
3NH	13-1/2 [343]	5 [127]	8 [203]	3-1/2 [89]	17 [8]
4NH	15-1/4 [387]		9-1/2 [241]	4-1/4 [108]	32 [15]

PREFIXES	DESCRIPTION	A PIPE SIZE	LIST PRICE
Z1000*	D.C.C.I. Body	2"	602.00
		3"	923.00
		4"	1,379.00

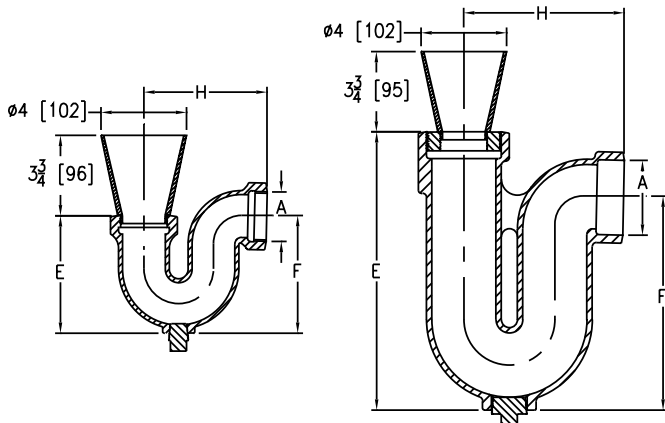
CONNECTION DESIGNATION (SPECIFY PIPE SIZE IN INCHES AND TYPE OF CONNECTION)			
CONNECTION TYPE		PIPE SIZE/OUTLET TYPE	ADD
IP	Threaded	2IP, 3IP, 4IP	N/C
NH	No-Hub	2NH, 3NH, 4NH	N/C
SUFFIXES		PIPE SIZE	ADD
-FL	Flushing Connection		207.00
-G	Galvanized Cast Iron	2"	174.00
		3"	406.00
		4"	640.00
-P	Trap Primer Connection (Specify 1/2" or 3/4")		207.00

Z1019 FUNNEL DRAIN WITH "P" TRAP



ENGINEERING SPECIFICATION

Zurn Z1019 Dura-Coated cast iron combination funnel and trap drain comes complete with bronze bottom cleanout plug.



A Pipe Size/ Outlet Type	Dimensions in inches [mm]			Approximate Weight lb [kg]
	E	F	H	
Threaded (IP)				
2IP	4-1/4 [108]	5-1/2 [140]	5-3/4 [146]	10 [5]
3IP	13 [330]	10 [254]	7-1/2 [191]	19 [9]

PREFIXES	DESCRIPTION	A PIPE SIZE	LIST PRICE
Z1019*	D.C.C.I. Body and Top	2"	1,000.00
		3"	1,166.00
ZAB1019	Bronze Body with Polished Bronze Top	2"	1,779.00
		3"	1,940.00
ZABN1019	Bronze Body with Polished Nickel Bronze Top	2"	1,880.00
		3"	2,041.00

CONNECTION DESIGNATION (SPECIFY PIPE SIZE IN INCHES AND TYPE OF CONNECTION)			
CONNECTION TYPE		PIPE SIZE/OUTLET TYPE	ADD
IP	Threaded	2IP, 3IP	N/C
SUFFIXES		PIPE SIZE	ADD
-AR	Acid Resisting Epoxy Coated Finish		392.00
-DS	Dome Strainer		90.00
-F6	6" High x 6" Diameter Funnel	Z	152.00
		ZAB, ZABN	227.00
-G	Galvanized Cast Iron Body		424.00
BEST SELLER		LIST PRICE	
Z1019-2IP			1,000.00

For additional product information, please visit www.zurn.com

*Regularly furnished unless otherwise specified.

Items designated as Best Sellers are most specified and are generally in stock for shipment.

Ⓢ This symbol denotes a product that is engineered to reduce installation and rework time.

Z1020XL ELECTRONIC TRAP PRIMER



ENGINEERING SPECIFICATION

Zurn Z1020XL factory programmed, 5-port, lead-free electronic trap primer provides a six second water injection to traps every twenty-four hours.[†] Trap primer features a galvanized steel combination surface or recessed housing and cover, 1/2" solder copper inlet connection, brass ball-type stop valve, slow-closing 24 VAC solenoid valve with integral strainer, 120-24 VAC transformer, brass atmospheric vacuum breaker, PEX waterway, and anti-scaling multi-port manifold with five 1/2" male PEX outlet connections.

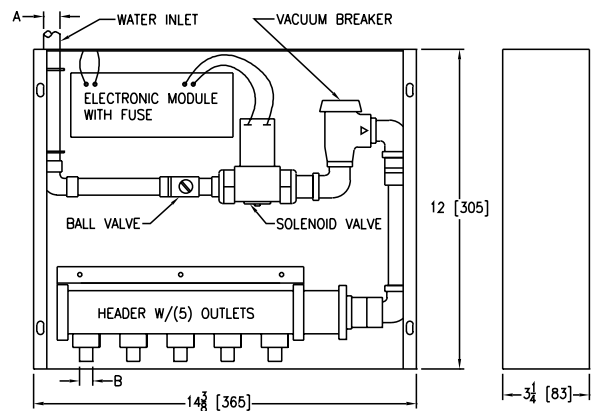
Min. Pressure: 3 psi
 Working Pressure: 20 to 100 psig
 Default Settings:
 -Frequency: 24 hours
 -Injection Time: 6 seconds
 -Volume: 2 oz. min. per port

NOTE

[†]Regularly furnished unless otherwise specified. Alternative flow settings are available upon request.

Dimensions in inches [mm]		Approximate Weight lb [kg]
A Inlet Pipe Size	B Outlet Pipe Size	
1/2 [13] Solder	1/2 [13] PEX Connection	12 [5]

PREFIXES	DESCRIPTION	LIST PRICE
Z1020XL*	PEX Waterway	5,563.00
SUFFIXES		ADD
-CW	Copper Waterway (with 1/2" Female IPS Connection)	606.00
-DU4	Additional Distribution Units with Copper Waterway (Specify quantity. Contact Zurn for sizing specifications)	482.00
-VP	Vandal-Proof Secured Cover with Vandal-Proof Driver	75.00
-10	Ten Outlets	758.00
BEST SELLERS		LIST PRICE
Z1020XL-10		6,321.00
Z1020XL-10-CW		6,927.00
Z1020XL-5		5,563.00
Z1020XL-5-CW		6,169.00

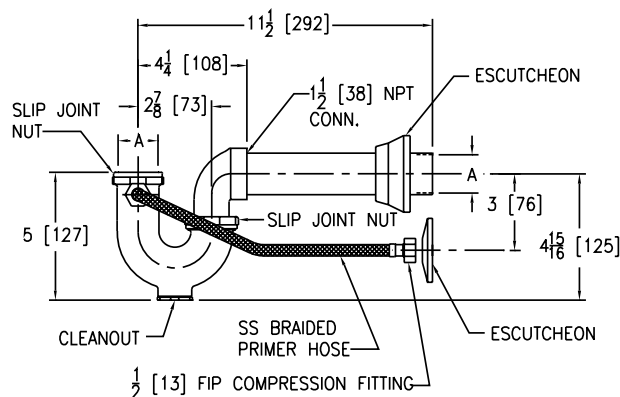


Z1021 WATER SAVER TRAP PRIMER WITH 1-1/2" COPPER SWEAT WALL CONNECTION



ENGINEERING SPECIFICATION

Zurn 1021 water saver trap primer features chrome-plated, polished cast brass body with cleanout, ground joint elbow with 1-1/2" NPT outlet, 1-1/2" slip nuts and washers, and reducing washer for 1-1/4" sink tail piece hookup, escutcheons, and stainless steel braided primer hose with 1/2" FIP compression fittings.



Dimensions in inches [mm]		Approximate Weight lb [kg]
A Pipe Size		
1-1/2 [38]		2 [1]

PREFIXES	DESCRIPTION	LIST PRICE
Z1021*	Polished Chrome Plated	800.00
SUFFIXES		ADD
-WL	One-piece Waste Elbow (For Slip Joint Wall Connection)	141.00
BEST SELLERS		LIST PRICE
Z1021-1-1/2		800.00
Z1021-1-1/2-WL		941.00

[†]Regularly furnished unless otherwise specified.

Items designated as Best Sellers are most specified and are generally in stock for shipment.

⌚ This symbol denotes a product that is engineered to reduce installation and rework time.

For additional product information, please visit www.zurn.com

Z1022-XL LEAD-FREE SANI-GARD AUTOMATIC TRAP PRIMER

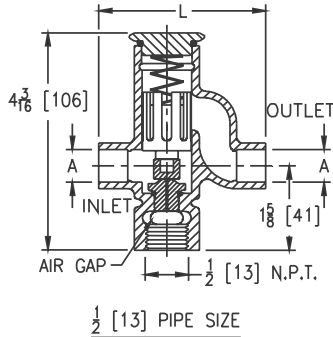


Patented



ENGINEERING SPECIFICATION

Zurn Z1022-XL lead-free sani-gard automatic trap primer features an all bronze body with integral vacuum breaker, non-liming internal operating piston, stainless steel spring, removable bronze seat with metering orifice, and sealed bronze cover.



Dimensions in inches [mm]		Approximate Weight lb [kg]
A Pipe Size/Connection	L	
1/2 [13] Solder Female 1/2 [13] IP Female	3-7/32 [82]	1 [0.5]
1/2 [13] Solder Female Union 1/2 [13] IP Female Union	5-21/32 [144] 5-11/32 [136]	1.5 [0.7]

PREFIXES	DESCRIPTION	LIST PRICE
Z1022-XL*	All Plain Bronze Body	Combine with connection type for pricing

CONNECTION DESIGNATION (SPECIFY PIPE SIZE IN INCHES AND TYPE OF CONNECTION)		
CONNECTION TYPE	PIPE SIZE/OUTLET TYPE	ADD
SF	1/2" Solder Female	1/2 SF 403.00
IP	1/2" IP Female	1/2 IP 403.00
SFU	1/2" Solder Female Union	1/2 SFU 613.00
IPU	1/2" IP Female Union	1/2 IPU 613.00

SUFFIXES	ADD
-CP	Chrome-Plated Finish 136.00
-DU2	2-Outlet Distribution Unit 417.00
-DU3	3-Outlet Distribution Unit 474.00
-DU4	4-Outlet Distribution Unit 534.00
-RK	Repair Kit 197.00

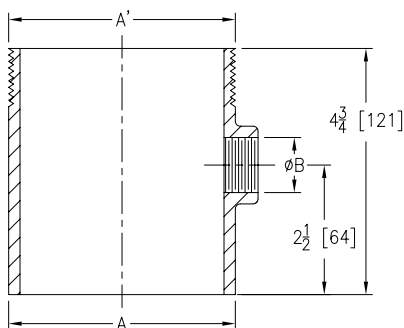
BEST SELLERS	LIST PRICE
Z1022-XL-1/2-IP	403.00
Z1022-XL-1/2-IPU	613.00
Z1022-XL-1/2-SF	403.00
Z1022-XL-1/2-SFU	613.00

Z1023 TRAP PRIMER CONNECTION ADAPTER



ENGINEERING SPECIFICATION

Zurn Z1023 trap primer connection adapter features Dura-Coated cast iron body with 1/2" female threaded side inlet trap primer connection.



Dimensions in inches [mm]		Approximate Weight lb [kg]
A x A'	B	
No-Hub x No-Hub		
2NH x 2NH	1/2 [13]	2 [1]
3NH x 3NH		4 [2]
4NH x 4NH		6 [3]
Threaded x No-Hub		
2IP x 2NH	1/2 [13]	2 [1]
3IP x 3NH		4 [2]
4IP x 4NH		6 [3]

PREFIXES	DESCRIPTION	PIPE SIZE	LIST PRICE
Z1023*	D.C.C.I. Body	2", 3", 4"	Combine with connection type for pricing

CONNECTION DESIGNATION (SPECIFY PIPE SIZE IN INCHES AND TYPE OF CONNECTION)		
CONNECTION TYPE	PIPE SIZE/OUTLET TYPE	ADD
NH x NH	No-Hub x No-Hub 2NH x 2NH, 3NH x 3NH, 4NH x 4NH	268.00
IP x NH	Threaded x No-Hub 2IP x 2NH, 3IP x 3NH, 4IP x 4NH	268.00

SUFFIXES	ADD
-G	Galvanized Cast Iron Body 136.00

BEST SELLERS	LIST PRICE
Z1023-2NH	268.00
Z1023-3NH	268.00
Z1023-4NH	268.00

For additional product information, please visit www.zurn.com

*Regularly furnished unless otherwise specified.

Items designated as Best Sellers are most specified and are generally in stock for shipment.

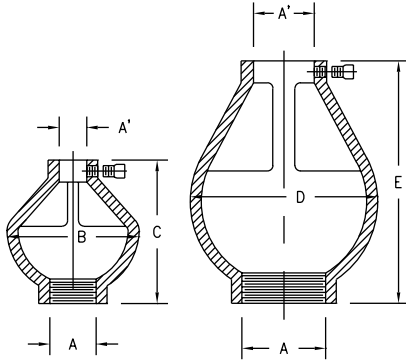
Ⓢ This symbol denotes a product that is engineered to reduce installation and rework time.

Z1024 FIXED AIR GAP



ENGINEERING SPECIFICATION

Zurn Z1024 fixed air gap features Dura-Coated cast iron body with slip joint inlet and NPT outlet.



Product Designation	Dimensions in inches [mm]					Approximate Weight lb [kg]
	A' x A SJ x N.P.T.	B	C	D	E	
-1	1/4 [6] x 3/4 [19]	3 [76]	3-1/4 [83]	-	-	1 [0.5]
-2	1/2 [13] x 3/4 [19]	-	-	-	-	3 [1]
-3	1/2 [13] x 1 [25]	-	-	4-1/4 [108]	5-1/2 [140]	
-4	3/4 [19] x 1-1/2 [38]	-	-	-	-	
-5	1 [25] x 1-1/2 [38]	-	-	-	-	

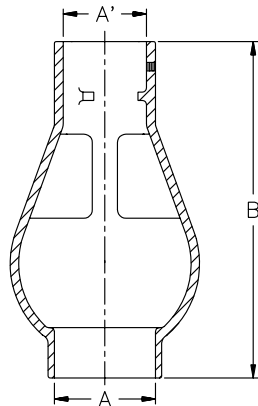
PREFIXES	DESCRIPTION	PRODUCT DESIG.	PIPE SIZE/OUTLET TYPE	LIST PRICE
Z1024*	D.C.C.I. Body	-1	1/4SJ x 3/4N.P.T.	433.00
		-2	1/2SJ x 3/4N.P.T.	433.00
		-3	1/2SJ x 1N.P.T.	472.00
		-4	3/4SJ x 1-1/2N.P.T.	600.00
		-5	1SJ x 1-1/2N.P.T.	600.00
SUFFIXES				ADD
-G	Galvanized Cast Iron			283.00
BEST SELLER				LIST PRICE
		Z1024-5		600.00

Z1025 FIXED AIR GAP



ENGINEERING SPECIFICATION

Zurn Z1025 fixed air gap features Dura-Coated cast iron body with slip joint inlet and no-hub outlet.



Product Designation	Dimensions in inches [mm]		Approximate Weight lb [kg]
	A' x A SJ x NH	B	
-2	1-1/2 [38] x 2 [51]	10 [254]	4 [2]
-3	2 [51] x 3 [76]		8 [4]
-4	3 [76] x 4 [102]		20 [9]
-6	4 [102] x 6 [152]		32 [15]

PREFIXES	DESCRIPTION	PRODUCT DESIG.	PIPE SIZE/OUTLET TYPE	LIST PRICE
Z1025*	D.C.C.I. Body	-2	1-1/2SJ x 2NH	416.00
		-3	2SJ x 3NH	501.00
		-4	3SJ x 4NH	730.00
		-6	4SJ x 6NH	1,718.00
ZARB1025	All Plain Bronze Body	-2	1-1/2SJ x 2NH	905.00
		-3	2SJ x 3NH	1,357.00
		-4	3SJ x 4NH	1,784.00
		-6	4SJ x 6NH	4,838.00
SUFFIXES				ADD
-G	Galvanized Cast Iron			283.00
BEST SELLERS				LIST PRICE
		Z1025-2		416.00
		Z1025-4		730.00

*Regularly furnished unless otherwise specified.

Items designated as Best Sellers are most specified and are generally in stock for shipment.

⌚ This symbol denotes a product that is engineered to reduce installation and rework time.

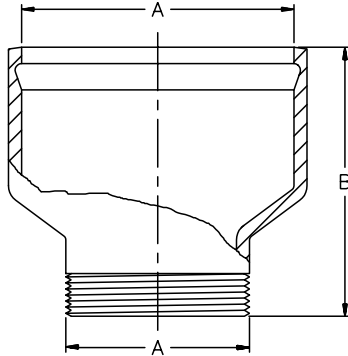
For additional product information, please visit www.zurn.com

Z1030 HUB ADAPTER



ENGINEERING SPECIFICATION

Zurn Z1030 hub adapter features Dura-Coated cast iron with male NPT threaded and hub connections.



Product Designation	Dimensions in inches [mm]		Approximate Weight lb [kg]
	Pipe Size		
	A	B	
-2	2 [51]	4-1/4 [108]	3 [1]
-3	3 [76]	4-3/8 [111]	5 [2]
-4	4 [102]	4-3/4 [121]	6 [3]
-6	6 [152]	5 [127]	9 [4]

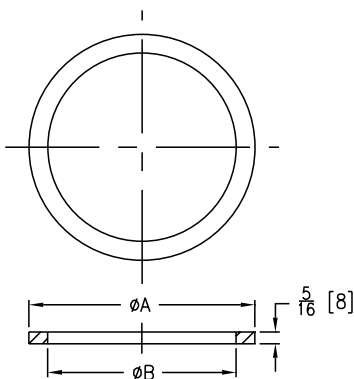
PREFIXES	DESCRIPTION	PRODUCT DESIG.	PIPE SIZE/OUTLET TYPE	LIST PRICE
Z1030*	D.C.C.I. Body with Threaded x Hub Connection Type	-2	2IP x 2HB	136.00
		-3	3IP x 3HB	246.00
		-4	4IP x 4HB	333.00
		-6	6IP x 6HB	626.00
SUFFIXES		PIPE SIZE	ADD	
-G	Galvanized Cast Iron	2", 3", 4"	113.00	
		6"	174.00	

Z1032 INSIDE CAULK REDUCER



ENGINEERING SPECIFICATION

Zurn Z1032 inside caulk features Dura-Coated cast iron reducing ring.



Product Designation	Dimensions in inches [mm]		Approximate Weight lb [kg]
	Pipe Size		
	A	B	
-3 x 2	3 [76]	2 [51]	1 [0.5]
-4 x 2	4 [102]	3 [76]	
-4 x 3		4 [102]	
-6 x 4	6 [152]	5 [127]	1.5 [0.7]
-6 x 5			

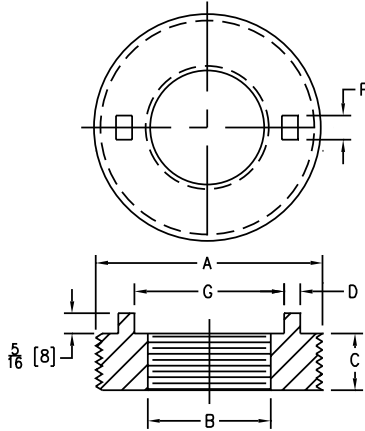
PREFIXES	DESCRIPTION	PRODUCT DESIG.	LIST PRICE
Z1032*	Dura-Coated Cast Iron Reducing Ring	-3 x 2	67.00
		-4 x 2	81.00
		-4 x 3	110.00
		-6 x 4	163.00
		-6 x 5	194.00

Z1033 FEMALE PIPE THREAD REDUCER



ENGINEERING SPECIFICATION

Zurn Z1033 female pipe thread reducer features cast iron construction and is available in ranging sizes.



PREFIXES	DESCRIPTION	PRODUCT DESIG.	LIST PRICE
Z1033*	Male Thread x Female Thread Cast Iron Reducer	-1 x .75	117.00
		-1.5 x 1.25	117.00
		-2 x 1.25	117.00
		-2 x 1.5	117.00
		-3 x 1.5	137.00
		-3 x 2	261.00
		-4 x 2	150.00
		-4 x 3	150.00
		-6 x 4	194.00
-6 x 5	194.00		

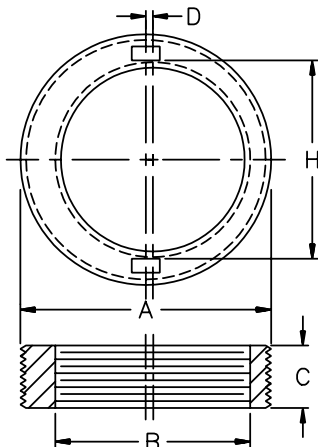
Product Designation	Dimensions in inches [mm]						Approximate Weight lb [kg]
	A	B	C	D	F	G	
-1 x .75	1 [25]	3/4 [19]	7/16 [11]	-	-	-	.5 [.25]
-1.5 x 1.25	1-1/2 [38]	1-1/4 [32]	1/2 [13]	-	-	-	
-2 x 1.25	2 [51]		1-1/2 [38]	9/16 [14]	1/8 [3]	3/8 [9]	1-29/32 [48]
-2 x 1.5		3 [76]		2 [51]	7/8 [22]		1/4 [6]
-3 x 1.5	4 [102]		3 [76]		1-1/8 [29]	1/2 [13]	
-3 x 2		6 [152]		4 [102]			5/16 [8]
-4 x 2	5 [127]		5 [127]		5/16 [8]	5/16 [8]	
-4 x 3		6 [152]		5 [127]			5/16 [8]
-6 x 4							
-6 x 5							

Z1034 FEMALE PIPE ECCENTRIC REDUCER



ENGINEERING SPECIFICATION

Zurn Z1034 female pipe thread eccentric reducer features cast iron construction and is available in a range of sizes.



Product Designation	Dimensions in inches [mm]					Approximate Weight lb [kg]
	A	B	C	D	H	
-3 x 2	3 [76]	2 [51]	7/8 [22]	3/16 [5]	2-5/8 [67]	1 [0.5]
-4 x 2	4 [102]			11/16 [17]	3 [76]	3 [1]
-4 x 3		3 [76]	1-1/8 [29]	1/8 [3]	3-9/16 [90]	1.5 [0.7]

PREFIXES	DESCRIPTION	PRODUCT DESIG.	LIST PRICE
Z1034*	Female Pipe Thread Cast Iron Reducer	-3 x 2	219.00
		-4 x 2	194.00
		-4 x 3	364.00

*Regularly furnished unless otherwise specified.

Items designated as Best Sellers are most specified and are generally in stock for shipment.

⌚ This symbol denotes a product that is engineered to reduce installation and rework time.

For additional product information, please visit www.zurn.com

Z1035 FLOOR DRAIN INSTALLATION STABILIZER



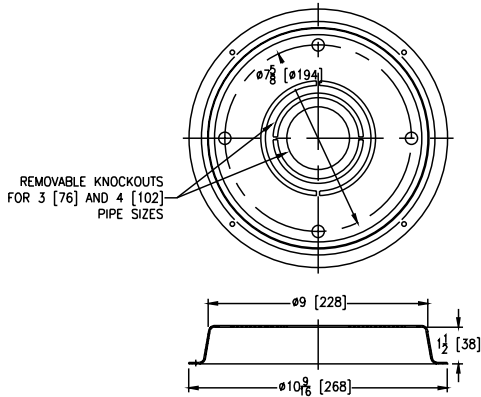
Patented

ENGINEERING SPECIFICATION

Zurn Z1035 floor drain installation stabilizer features #20 gage, galvanized steel plate with variable pipe opening, four support stud holes, and four nail holes. Complete with hardware bag containing four 3/8"-16 x 12" long studs and eight 3/8"-16 flanged locknuts.

NOTE

1. 7-5/8" diameter stud holes are used to accommodate 8-3/8" diameter drain body. (To be used with no-hub and Neo-Loc outlet connections only.)
2. For typical installation, see Form No. FD72.



Dimensions in inches [mm]	
Pipe Size	Pipe Opening Diameter
2 [51]	2-9/16 [65]
3 [76]	3-11/16 [94]
4 [102]	4-11/16 [119]

PREFIXES	DESCRIPTION	PIPE SIZE	LIST PRICE
Z1035*	Galvanized Steel Plate	2", 3", 4"	191.00



ZN415 Floor Drain with Z1035 Stabilizer

Z1035-Q STRUCTURAL DECK DRAIN STABILIZER



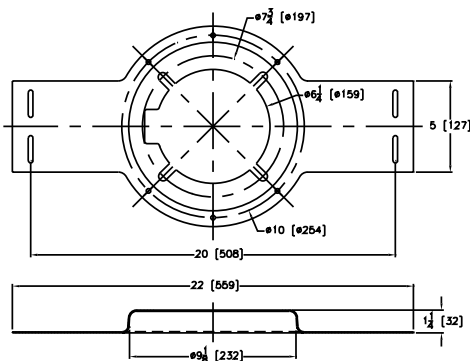
Patented

ENGINEERING SPECIFICATION

Zurn Z1035-Q structural deck drain stabilizer for Q-deck features #16 gage galvanized steel plate with four support stud slots, and six (6) nail holes. Complete with hardware bag containing four 3/8"-16 x 12" long studs and eight 3/8"-16 flanged locknuts.

NOTE

Designed for use with 8-3/8" diameter drain body.



PREFIXES	DESCRIPTION	LIST PRICE
Z1035-Q*	Galvanized Steel Plate	254.00



ZN158 Floor Drain with Z1035-Q Stabilizer

🕒 Z1036 FLOOR DRAIN INSTALLATION STABILIZER



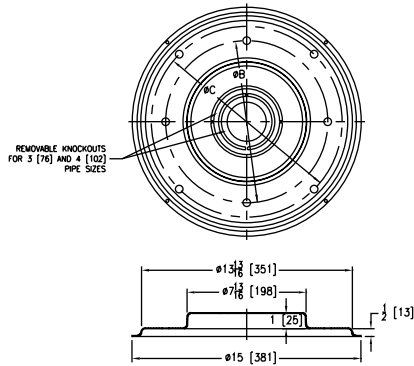
Patented

ENGINEERING SPECIFICATION

Zurn Z1036 floor drain installation stabilizer features #16 gage, galvanized steel plate with variable pipe opening, eight support stud holes, and four nail holes. Complete with hardware bag containing four 3/8"-16 x 12" long studs and eight 3/8"-16 flanged locknuts.

NOTE

- 'B' diameter stud holes are used to accommodate 12" diameter drain body. 'C' diameter stud holes are used to accommodate 15" diameter drain body. (To be used with no-hub and Neo-Loc outlet connections only.)
- For typical installation, see Form No. FD72.



Dimensions in inches [mm]			
Pipe Size	Pipe Opening Diameter	B	C
2 [51]	2-9/16 [65]	10-5/8 [270]	12-1/2 [318]
3 [76]	3-11/16 [94]		
4 [102]	4-11/16 [119]		

PREFIXES	DESCRIPTION	PIPE SIZE	LIST PRICE
Z1036*	Galvanized Steel Plate	2", 3", 4"	205.00



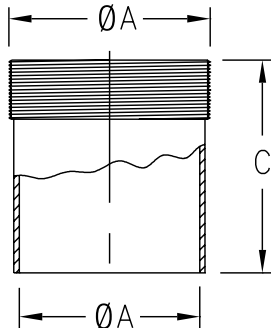
ZN150 Floor Drain with Z1036 Stabilizer

Z1040 NO-HUB ADAPTER



ENGINEERING SPECIFICATION

Zurn Z1040 no-hub adapter features Dura-Coated cast iron with male NPT threaded and no-hub connections.



Product Designation	Dimensions in inches [mm]		Approximate Weight lb [kg]
	A Pipe Size	C	
-2	2 [51]	3-1/2 [89]	1 [0.5]
-3	3 [76]		2 [1]
-4	4 [102]		3 [1]
-5	5 [127]		4 [2]
-6	6 [152]		5 [2]
-8	8 [203]		8 [4]
-10	10 [254]		11 [5]
-12	12 [305]		23 [10]

PREFIXES	DESCRIPTION	PRODUCT DESIG.	PIPE SIZE/OUTLET TYPE	LIST PRICE
Z1040*	D.C.C.I. Body with Male Thread x No-Hub Connection Type	-2	2IP x 2NH	136.00
		-3	3IP x 3NH	194.00
		-4	4IP x 4NH	302.00
		-5	5IP x 5NH	730.00
		-6	6IP x 6NH	917.00
		-8	8IP x 8NH	1,018.00
		-10	10IP x 10NH	1,213.00
		-12	12IP x 12NH	1,520.00

SUFFIXES	ADD
-G	Galvanized Cast Iron 122.00

BEST SELLERS	LIST PRICE
Z1040-3NH	194.00
Z1040-4NH	302.00
Z1040-6NH	917.00

*Regularly furnished unless otherwise specified.

Items designated as Best Sellers are most specified and are generally in stock for shipment.

🕒 This symbol denotes a product that is engineered to reduce installation and rework time.

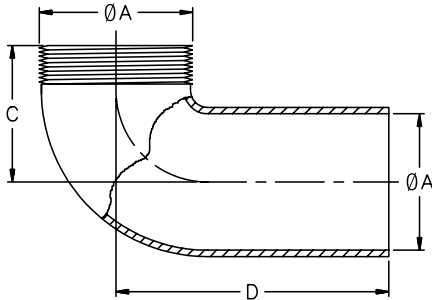
For additional product information, please visit www.zurn.com

Z1042 ELBOW ADAPTER



ENGINEERING SPECIFICATION

Zurn Z1042 elbow adapter features Dura-Coated cast iron with male NPT threaded and no-hub connections.



Product Designation	Dimensions in inches [mm]			Approximate Weight lb [kg]
	A Pipe Size	C	D	
-3	3 [76]	3-3/4 [95]	7 [178]	8 [4]
-4	4 [102]	4 [102]	8 [203]	14 [6]
-6	6 [152]	5-1/2 [140]	9 [229]	25 [11]

PREFIXES	DESCRIPTION	PRODUCT DESIG.	PIPE SIZE/OUTLET TYPE	LIST PRICE
Z1042*	D.C.C.I. Body with Male Thread and No-Hub Connection Type	-3	3IP x 3NH	730.00
		-4	4IP x 4NH	829.00
		-6	6IP x 6NH	1,861.00
SUFFIXES			PIPE SIZE	ADD
-G	Galvanized Cast Iron		3"	150.00
			4"	307.00
			6"	472.00

Z1088 BACKWATER VALVE GATE TYPE

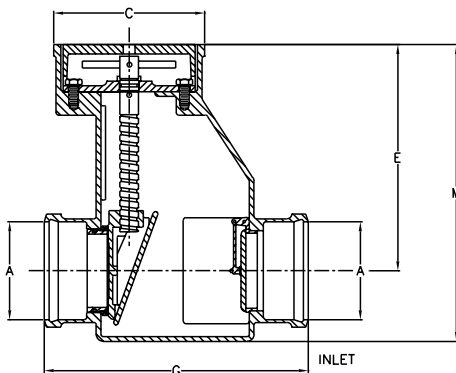


ENGINEERING SPECIFICATION

Zurn Z1088 backwater valve features Dura-Coated cast iron body, automatic PVC (4" size only) flapper type backwater valve with O-ring adjacent to inlet, and spade type bronze gate valve with O-ring seat insert adjacent to outlet, easily controlled at floor level by covered handle engaging bronze non-rising stem.

NOTE

Not designed nor intended to be used as a shut-off valve.



Product Designation	Dimensions in inches [mm]				Approximate Weight lb [kg]
	A Pipe Size	C	E	M	
-4	4 [102]	8 [203]	12 [305]	15-3/4 [400]	80 [36]
-6	6 [152]	10-1/2 [267]	14-1/2 [368]	19 [483]	120 [54]

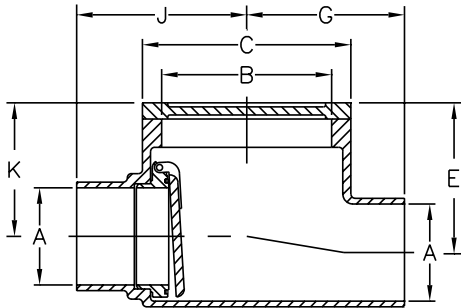
PREFIXES	DESCRIPTION	PIPE SIZE	LIST PRICE
Z1088*	D.C.C.I. Body and Cover with PVC Flapper Valve, Bronze Check Valve, Gate, and Stem	4", 6"	Combine with connection type for pricing
CONNECTION DESIGNATION (SPECIFY PIPE SIZE IN INCHES AND TYPE OF CONNECTION)			
PRODUCT DESIG.	CONNECTION TYPE	PIPE SIZE/OUTLET TYPE	ADD
-4	Hub x Hub	4HB x 4HB	5,808.00
	Hub x No-Hub	4HB x 4NH	5,808.00
	No-Hub x No-Hub	4NH x 4NH	5,808.00
-6	Hub x Hub	6HB x 6HB	8,915.00
	Hub x No-Hub	6HB x 6NH	8,915.00
	No-Hub x No-Hub	6NH x 6NH	8,915.00
SUFFIXES		PIPE SIZE	ADD
-BV	Bronze Flapper Valve (4" Size)		N/C
-G	Galvanized Cast Iron Body		1,753.00
-WH	Wheel Handle		758.00
-12	12" Extension	4"	2,704.00
		6"	3,106.00
-24	24" Extension	4"	3,791.00
		6"	4,144.00
BEST SELLER			LIST PRICE
Z1088-4NH			5,808.00

Z1090 BACKWATER VALVE FLAPPER TYPE



ENGINEERING SPECIFICATION

Zurn Z1090 backwater valve features Dura-Coated cast iron body, no-hub inlet and outlet, gasketed bolted cover, and automatic PVC (3" and 4" sizes only) flapper type backwater valve with O-ring.



Product Designation	Dimensions in inches [mm]							Approximate Weight lb [kg]
	A Pipe Size	B	C	E	G	J	K	
-2	2 [51]	5-1/4 [133]	6-1/2 [165]	4-5/8 [117]	4-7/8 [124]	5-1/4 [133]	3-5/8 [92]	16 [7]
-3	3 [76]			4-1/8 [105]				17 [8]
-4	4 [102]	6-3/8 [162]	7-1/2 [191]	4-3/4 [121]	6 [152]	6 [152]	4-1/4 [108]	22 [10]
-6	6 [152]	8-1/4 [210]	9-1/2 [241]	7-1/2 [191]	6-5/8	7-7/16	6 [152]	34 [15]

PREFIXES	DESCRIPTION	PRODUCT DESIG.	PIPE SIZE/OUTLET TYPE	LIST PRICE
Z1090*	D.C.C.I. Body with No-Hub Connection Type	-2	2NH	1,701.00
		-3	3NH	2,662.00
		-4	4NH	3,279.00
		-6	6NH	4,713.00

SUFFIXES		ADD
-BP	Bronze Threaded Plug Cover	N/C
-BV	Bronze Flapper Valve (3" and 4" Size)	N/C
-G	Galvanized Cast Iron Body	451.00

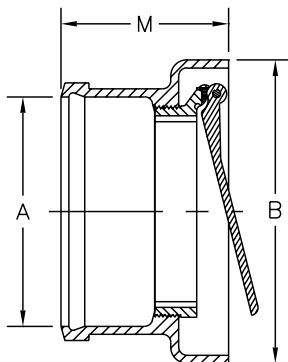
BEST SELLERS	LIST PRICE
Z1090-2NH	1,701.00
Z1090-3NH	2,662.00
Z1090-4NH	3,279.00
Z1090-4NH-BV	3,279.00
Z1090-6NH	4,713.00

Z1091 BACKWATER VALVE FLAPPER TYPE



ENGINEERING SPECIFICATION

Zurn Z1091 backwater valve features Dura-Coated cast iron body, hub inlet and open outlet for installation at end of drainage line, and automatic PVC (3" and 4" sizes only) flapper type backwater valve with O-ring.



Product Designation	Dimensions in inches [mm]			Approximate Weight lb [kg]
	A Pipe Size	B	M	
-3	3 [76]	7 [178]	5 [127]	12 [5]
-4	4 [102]	7-1/2 [191]		15 [7]
-6	6 [152]	9-1/2 [241]	5-1/4 [133]	28 [13]
-8	8 [203]	11-1/2 [292]	6 [152]	42 [19]
-10	10 [254]	14 [356]	7 [178]	58 [26]

PREFIXES	DESCRIPTION	PRODUCT DESIG.	PIPE SIZE/OUTLET TYPE	LIST PRICE
Z1091*	D.C.C.I. Body with Hub Connection Type	-3	3HB	714.00
		-4	4HB	1,039.00
		-6	6HB	2,948.00
		-8	8HB	3,586.00
		-10	10HB	10,786.00

SUFFIXES	PIPE SIZE	ADD	
-BV	Bronze Flapper Valve (3" and 4" Size)	N/C	
-G	Galvanized Cast Iron	3", 4"	405.00
		6"	572.00
		8", 10"	1,179.00

*Regularly furnished unless otherwise specified.

Items designated as Best Sellers are most specified and are generally in stock for shipment.

🕒 This symbol denotes a product that is engineered to reduce installation and rework time.

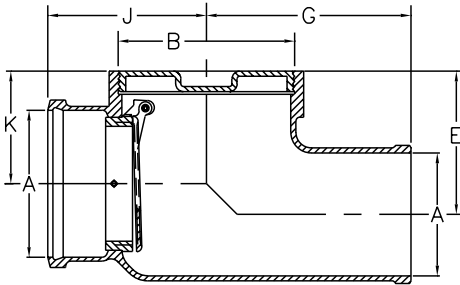
For additional product information, please visit www.zurn.com

Z1095 BACKWATER VALVE FLAPPER TYPE



ENGINEERING SPECIFICATION

Zurn Z1095 backwater valve features Dura-Coated cast iron body, hub inlet and offset spigot outlet, bronze threaded cover, and automatic PVC (3" and 4" sizes only) flapper type backwater valve with O-ring.



PREFIXES	DESCRIPTION	PRODUCT DESIG.	PIPE SIZE/OUTLET TYPE	LIST PRICE
Z1095*	D.C.C.I. Body with Hub	-2	2HB x 2SP	1,701.00
	x Spigot	-3	3HB x 3SP	2,657.00
	Connection	-4	4HB x 4SP	3,279.00
	Type	-8	8HB x 8SP	6,619.00
		-10	10HB x 10SP	10,802.00

SUFFIXES	PIPE SIZE	ADD
-BC	Bolted Cover	N/C
-BV	Bronze Flapper Valve (3" and 4" Size)	N/C
-G	Galvanized Cast Iron	2" thru 4" 691.00
		6" 1,150.00
		8", 10" 2,055.00

BEST SELLERS	LIST PRICE
Z1095-10HS	10,802.00
Z1095-8HS	6,619.00

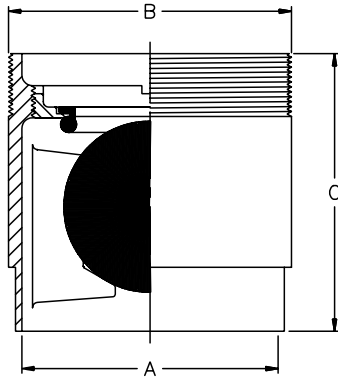
Product Designation	Dimensions in inches [mm]						Approximate Weight lb [kg]
	A Pipe Size	B	E	G	J	K	
-2	2 [51]	4 [102]	4-3/8 [111]	7 [178]	5 [127]	2-7/8 [73]	23 [10]
-3	3 [76]	5 [127]	5-1/8 [130]	8 [203]	6 [152]	3-5/8 [92]	30 [14]
-4	4 [102]	6 [152]	5-5/8 [143]	8-1/2 [216]	6-3/4 [171]	4-1/8 [105]	34 [15]
-8	8 [203]	10 [254]	7-1/2 [191]	11-7/8 [302]	9-3/8 [238]	6 [152]	79 [36]
-10	10 [254]	12 [305]		12-3/4 [324]	10-7/8 [276]	7 [178]	102 [46]

Z1099 BACKWATER VALVE BALL FLOAT TYPE



ENGINEERING SPECIFICATION

Zurn Z1099 backwater valve features Dura-Coated cast iron body, plastic ball float, bronze backwater bushing, and replaceable neoprene seat.



Product Designation	Dimensions in inches [mm]			Approximate Weight lb [kg]
	A Pipe Size	B	C	
-3	3 [76]	3 [76]	6-1/2 [165]	7 [3]
-4	4 [102]	4 [102]		9 [4]
-6	6 [152]	6 [152]		25 [11]

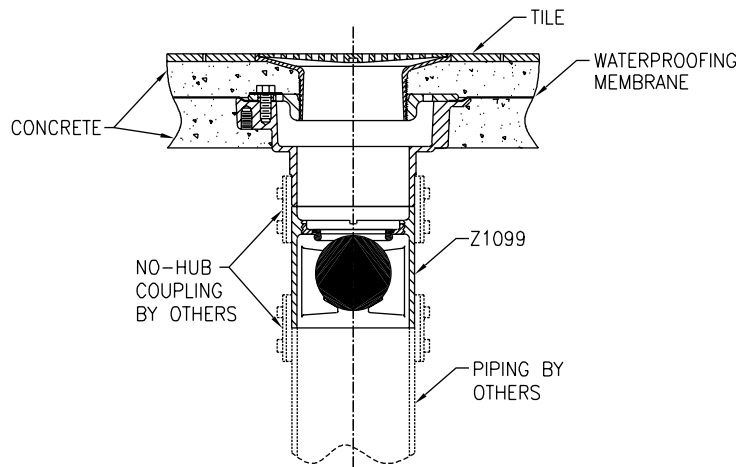
PREFIXES	DESCRIPTION	PIPE SIZE	LIST PRICE
Z1099*	D.C.C.I. Body	3" 4", 6"	Combine with connection type for pricing

CONNECTION DESIGNATION (SPECIFY PIPE SIZE IN INCHES AND TYPE OF CONNECTION)

PRODUCT DESIG.	CONNECTION TYPE	PIPE SIZE/OUTLET TYPE	ADD
-3	Threaded x No-Hub	3IP x 3NH	761.00
	No-Hub x No-Hub	3NH x 3NH	761.00
-4	Threaded x No-Hub	4IP x 4NH	761.00
	No-Hub x No-Hub	4NH x 4NH	761.00
-6	Threaded x No-Hub	6IP x 6NH	1,571.00
	No-Hub x No-Hub	6NH x 6NH	1,571.00

SUFFIXES	ADD
-G Galvanized Cast Iron	3", 4" 141.00
	6" 359.00

BEST SELLERS	LIST PRICE
Z1099-3NHX2NH	761.00
Z1099-3NHX3NH	761.00
Z1099-4NHX4NH	761.00



Z1099 shown installed on the outlet of a floor drain. In order for the Z1099 to operate properly, it must always be installed in a vertical position as illustrated.

*Regularly furnished unless otherwise specified.

Items designated as Best Sellers are most specified and are generally in stock for shipment.

⌚ This symbol denotes a product that is engineered to reduce installation and rework time.

For additional product information, please visit www.zurn.com

NOTES

INTRO

ROOF DRAINS

FLOOR DRAINS

T, P, BW VALVES

INTERCEPTORS

CARRIERS

HYDRANTS

CLEANOUTS

WHA

SS DRAINS

SANI-FLOOR

TECH INFO

INTERCEPTORS

INTERCEPTORS – GENERAL INFORMATION	166	Z1176 HAIR INTERCEPTOR	181
INTERCEPTORS – APPLICATION INDEX	166	Z1180 SOLIDS INTERCEPTOR	182
GREASE INTERCEPTORS – PURPOSE	166	Z1181 SOLIDS INTERCEPTOR	182
GREASE INTERCEPTORS – OPERATION	167	Z1182 SIDE ACCESS SOLIDS INTERCEPTOR	183
Z250H FOG-CEPTOR® INTERCEPTOR	168	Z1183 SOLIDS INTERCEPTOR	183
Z1165 100 PPM GREASE INTERCEPTOR SYSTEM WITH SOLIDS INTERCEPTOR	169	Z1183-DF SOLIDS INTERCEPTOR WITH DISPOSABLE FILTER BAGS	184
Z1170 GREASE INTERCEPTOR	170	Z1183-FC SOLIDS INTERCEPTOR WITH FLUSH COVER	185
Z1170-UN GREASE INTERCEPTOR WITH USER NOTIFICATION SYSTEM	171	Z1184 BOTTOM ACCESS SOLIDS INTERCEPTOR	186
ZS1170 GREASE INTERCEPTOR STAINLESS STEEL	172	Z1185 LINT INTERCEPTOR	187
Z1171 LOW PROFILE GREASE INTERCEPTOR	173	OIL INTERCEPTORS – GENERAL PRODUCT INFORMATION	188
Z1171-TD LOW PROFILE GREASE INTERCEPTOR WITH ACCUMULATING CONE AND FLOW CONTROL TEE	174	OIL INTERCEPTORS – APPLICATION INDEX	188
Z1172 LARGE CAPACITY GREASE INTERCEPTOR	175	Z1186 OIL INTERCEPTOR	189
Z1172-UN LARGE CAPACITY GREASE INTERCEPTOR WITH USER NOTIFICATION SYSTEM	176	Z1186-ST OIL INTERCEPTOR WITH INTEGRAL STORAGE TANK	190
Z1173 EJECTO-MATIC GREASE INTERCEPTOR	177	Z1187 SAND AND SEDIMENT INTERCEPTOR	191
Z1173-TD EJECTO-MATIC GREASE INTERCEPTOR WITH GREASE ACCUMULATING CONE AND IN-LINE SHUTOFF VALVE	178	Z1187-SI SAND INTERCEPTOR	192
Z1174 GREASE EATING BACTERIA DOSING UNIT AND SOLIDS INTERCEPTOR COMBINATION	179	Z1188 LARGE CAPACITY OIL INTERCEPTOR	193
SOLIDS INTERCEPTORS – GENERAL PRODUCT INFORMATION	180	Z1188-ST LARGE CAPACITY OIL INTERCEPTOR WITH INTEGRAL STORAGE TANK	194
SOLIDS INTERCEPTORS – APPLICATION INDEX	180	Z1189 OIL/SEDIMENT INTERCEPTOR WITH HEAVY-DUTY GRATE	195
SOLIDS INTERCEPTORS – SIZING	180	Z1194 OIL LEVEL SENSOR RETROFIT KIT	196
Z1175 HAIR INTERCEPTOR	181	Z1196 OIL INTERCEPTOR WITH OIL LEVEL SENSOR	197
		Z1198 LARGE CAPACITY OIL INTERCEPTOR WITH OIL LEVEL SENSOR	198
		Z1198-ST LARGE CAPACITY OIL INTERCEPTOR WITH INTEGRAL STORAGE TANK AND OIL LEVEL FLOAT SENSOR	199

INTERCEPTORS – GENERAL INFORMATION

Zurn manufactures three types of interceptors to meet all your plumbing needs: grease interceptors, solids interceptors, and oil interceptors. Zurn interceptors are designed for use in plumbing wastewater systems to prevent harmful or undesirable substances from entering the wastewater control system. Note: Interceptors are not pressurized vessels and should not undergo pressure testing.

To obtain more detailed information on Zurn interceptors, phone 855-ONE-ZURN, or contact your local Zurn sales representative.

INTERCEPTORS – APPLICATION INDEX

Product selection should be made with a specific application and the type of construction in mind. The varied types and sizes of Zurn interceptors, along with their options, offer a selection for all applications.

APPLICATION

RECOMMENDED INTERCEPTOR

Cooking and Processing Kettles*; Pot, Pan, and Scullery Sinks	Z250H, Z1165, Z1170, Z1170-UN, ZS1170, Z1171, Z1171-TD, Z1172, Z1172-UN, Z1173, Z1173-TD, Z1174
Soup Kettles*	Z1165, Z1170, Z1170-UN, ZS1170, Z1171, Z1171-TD, Z1173, Z1173-TD, Z1174
Dishwashing Machines*	Z250H, Z1165, Z1170, Z1170-UN, ZS1170, Z1172, Z1172-UN, Z1173, Z1173-TD, Z1174
Grease Draw-off Units	Z250H, Z1171-TD, Z1173, Z1173-TD
Miscellaneous Equipment Holding*, Grease-Laden Water	Z250H, Z1165, Z1170, Z1170-UN, ZS1170, Z1171, Z1171-TD, Z1172, Z1172-UN, Z1173, Z1173-TD, Z1174

*A Zurn Solids Interceptor is recommended to be used in conjunction with all grease interceptors. See product information for details.

GREASE INTERCEPTORS – PURPOSE

For over a hundred years, grease interceptors have been used in plumbing wastewater systems to permit free flow of drainage from sinks and similar equipment. They have played an important role in preventing grease accumulations from clogging waste pipes and sewer lines. They also help to improve operations at wastewater treatment facilities and prevent environmental problems caused by grease.

Zurn engineers were part of the original team that developed the current Plumbing and Drainage Institute Standard PDI-G101, which was first issued in 1949. PDI-G101 is now cited in numerous codes, as well as in Military Specification MIL-T-18361. Many Zurn grease interceptors comply with PDI-G101 and carry the PDI label.

WHY ARE GREASE INTERCEPTORS NEEDED?

1. To prevent waste pipes in buildings from becoming clogged.
2. To prevent sewer lines from clogging and improve operation of water treatment plants by reducing the wastewater grease load from entering the plant.
3. To prevent environmental problems caused by grease mixed with other debris at landfills and in waterways.
4. To promote the recycling of recovered clean grease.

Grease entering the wastewater collection system presents major problems from the moment of entry and continuing to the final stage in wastewater treatment. It is an expensive burden in sewer pipes due to blockage and reduced capacity, causing the need for frequent cleaning. In severe cases, entire lengths of sewer pipe must be replaced due to solidification of the grease and other debris. Grease also causes substantial problems in wastewater treatment facilities because of its detrimental effect on the bacterial process of wastewater treatment. Not only is there a grease removal problem, but large quantities of grease can overload and compromise the digestive process, adversely affecting the operation of the wastewater treatment plant.

Another important reason for grease interception and recovery is for recycling. Grease, if recovered and purified (free of contaminants and water) can be turned into a valuable resource. Recovered grease can be used in the manufacturing of fertilizers, soaps, animal feed, cosmetics, and components of explosives such as nitroglycerine.

GREASE INTERCEPTORS – OPERATION

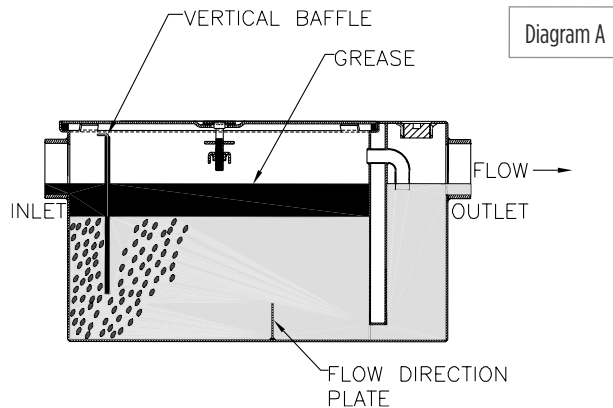
Four factors are critical to the proper operation of a grease interceptor: design, sizing, proper installation, and maintenance.

DESIGN

What makes Zurn interceptors most efficient are superior design characteristics (Diagram A).

Standard Zurn units are provided with a high inlet which allows all flow to empty into the interceptor. This keeps inlet lines from becoming clogged with grease buildup, which occurs with low inlet units and with large concrete separators buried outside. Because the static water level is maintained at the bottom of the outlet, any piping into the interceptor below this elevation will remain filled with water.

The Zurn solid vertical baffle plate immediately diffuses flow and channels the incoming fluids directly to the bottom of the separation chamber. A flow directing plate on the outlet side of the vertical baffle enhances flow in an upward direction and traps solids that may inadvertently enter the interceptor. This provides the maximum amount of time possible for separation to occur. Grease being approximately 90% of the weight of water, separates and floats to the top of the water under these conditions. The calming effect on the flow and the extended time sequence in the chamber allows for more efficient separation (Diagram A).



Zurn interceptors have an unobstructed separation chamber permitting the entire baffle to be lifted upward and removed. This provides for fast, easy cleaning which minimizes the amount of time the lid is off and the contents are exposed to the environment.

Odor from accumulated grease in an interceptor may pass back through the piping system and through the drain opening. An additional trap should be considered between the fixture and interceptor. Consult local codes.

Zurn interceptors are manufactured standard with a removable cleanout plug on the outlet side of the separation chamber, past the integral trap seal. This allows for quick, easy access to the outlet drainage pipe, should an obstruction or blockage occur downstream of the interceptor.

Zurn 1100 Series Interceptors are 100% steel construction, coated with a white acid-resisting epoxy (A.R.C.). Zurn Series Interceptors with flow rates from 4 to 50 GPM are certified by the Plumbing and Drainage Institute (PDI). Zurn Grease Interceptors with flow rates from 20 to 50 GPM are listed by the International Association of Plumbing and Mechanical Officials (IAPMO).

SIZING

The Plumbing and Drainage Institute (PDI) as well as some national and local codes have recognized different ways of sizing grease interceptors. It is advisable to check with local authorities for sizing requirements in your particular locality.

The following pages outline the most widely used sizing methods along with some common variables which, if present, could adversely affect the operation of your grease interceptor. If any of the following variables are present, added care should be taken to select the proper size interceptor with appropriate options to compensate for each irregularity.

VARIABLES AFFECTING GREASE INTERCEPTOR PERFORMANCE

VELOCITY OF INCOMING WATER

A higher velocity of water will contribute to a more turbulent mixture. This will slow the grease separation process, thereby reducing efficiency.

Recommended Solution – Maximize incoming pipe size to lower flow velocity or install additional flow control fittings at all sources of flow.

RATIO OF GREASE TO THE WATER

The higher the ratio of grease particles to the water, the lower the efficiency of the interceptor.

Recommended Solution – Increase the size of the interceptor.

SPECIFIC GRAVITY (WEIGHT) OF THE FILTRATES

Grease has a lower specific gravity than water and will rise to the surface quickly. Grease-laden food particles, having a higher specific gravity than water, will linger and accumulate at the bottom, eventually passing out of the interceptor.

Recommended Solution – Install a solids interceptor at the source of solid particles, prior to the grease interceptor.

POSSIBLE PRESENCE OF DETERGENTS IN THE SYSTEM

Grease-cutting detergents will break the liquid grease into minute particles that can cause these liquids to pass through the interceptor.

Recommended Solution – Minimize the use of detergents, or increase the size of the interceptor.

PERCENTAGE OF MAXIMUM FLOW CAPACITY

If the maximum recommended flow is exceeded, the efficiency of the interceptor will decrease considerably.

Recommended Solution – Increase size of the interceptor to accommodate the increased flow, or install additional flow control fittings at all sources of flow.

LOCATION OF GREASE INTERCEPTOR

The interceptor should be located as close as possible to the source of grease. Waste pipes leading to the grease interceptor may become clogged if liquid cools prior to entering the grease interceptor.

*Regularly furnished unless otherwise specified.

Items designated as Best Sellers are most specified and are generally in stock for shipment.

For additional product information, please visit www.zurn.com

Z250H FOG-CEPTOR® INTERCEPTOR



Patented

U.S. PATENT #5,746,912
CDN PATENT #2,195,822



IAPMO
Approved



ENGINEERING SPECIFICATION

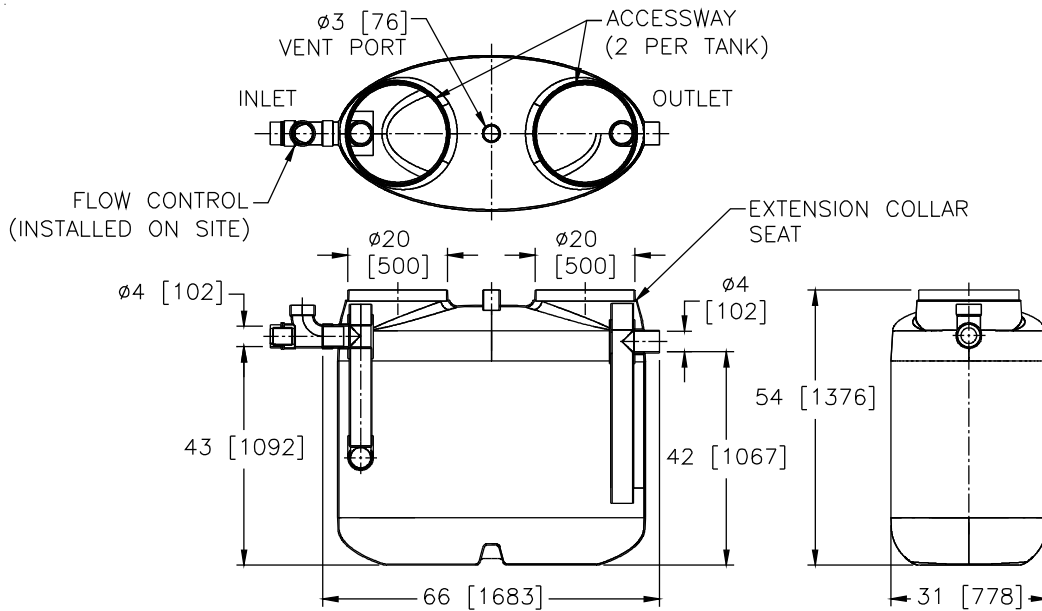
Zurn Z250H FOG-ceptor is engineered fiberglass, fats, oil, and grease interceptor, and dual manway interceptor with external flow control device. PDI and IAPMO rated at 100 gpm and 200 lb. Regularly furnished with 4" Schedule 40 PVC inlet and outlet. Includes two 20" diameter H-20 rated fiberglass bolted and gasketed frames and covers, four tubes of Sikaflex® bonding agent, one external flow control device, and two 3' high x 20" diameter extension collars.

NOTES

Location of outlet from bottom of interceptor cannot be changed.

PREFIXES	DESCRIPTION	SIZE	LIST PRICE
Z250H	Fiberglass Reinforced Plastic (Engineered Fiberglass)	250	POA
SUFFIXES			ADD
-EXT-B	3' long 20" diameter extension collar with bell (2) for deeper burial (additional)		POA
-FC	Frame and Cover (additional)		POA
BEST SELLER			LIST PRICE
Z250H			POA

Size	Inlet/Outlet inch [mm]	Flow Rate gpm [LPM]	Capacity			Approximate Weight lb [kg]
			Water gallon [L]	Grease gallon [L]	Solids gallon [L]	
250	4 [102]	100 [379]	250 [946]	189 [715]	48 [182]	230 [104]



Z1165 100 PPM GREASE INTERCEPTOR SYSTEM WITH SOLIDS INTERCEPTOR



Patented

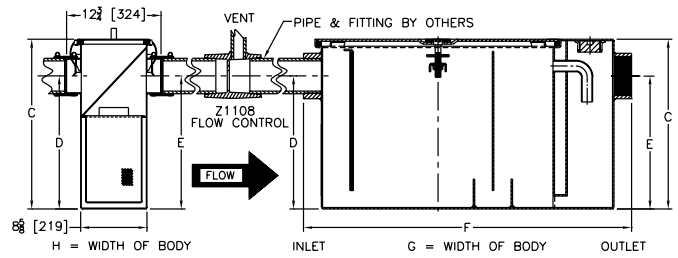


ENGINEERING SPECIFICATION

Zurn Z1165 grease interceptor system features acid resistant coated interior and fabricated steel exterior, PDI rated at ___ gpm and ___ lb grease capacity, internal air relief bypass, bronze cleanout plug, removable pressure equalizing/flow-diffusing inlet baffle, fixed bottom outlet baffle, and visible double wall trap seal. Gasketed, non-skid, secured cover completes tie down assembly with Z1108 flow control fitting. Includes acid resistant coated fabricated steel solids interceptor with replaceable filter bags, retainer plate, latched lid, and removable sediment basket. Grease interceptor effluent efficiency meets 100 parts per million when tested to EPA 1664 test method. Results based on the influent requirements in accordance with the maximum rated capacity given by Plumbing and Drainage Institute Standard PDI-G101. The presence of solids particles may cause results to vary per application.

NOTES

Location of inlet and outlet from bottom of interceptor cannot be changed. For the Z1165 size 700, the Miami-Dade DERM label is located under the cover of the grease interceptor and solid interceptor.



SUFFIXES	SIZE	ADD
-KC	Anchor flange 1-3/4" down from top and 2" wide with clamp collar.	200 2,232.00
		300 2,489.00
	A 3" minimum extension height is required when anchor flange (-KC) option is specified.	400 2,583.00
		500 2,939.00
		600 4,739.00
		700 5,300.00
	800 5,780.00	
-L	Angle type (Z1108-L) flow control device with plunger	N/C
-LS	Less Solids Interceptor	POA
-PW	Plug Wrench	110.00
-R	Acid resistant coated interior and exterior fabricated steel recessing receiver for recessed installation is equipped with adjustable support brackets and gasketed non-skid cover with removable lift handles. Only available with sizes 200-700.	200 10,185.00
		300 10,451.00
		400 10,910.00
		500 11,523.00
		700 POA
-RE	Acid resistant coated interior and exterior fabricated steel recessing receiver (enclosed type) for recessed installation. Furnished with adjustable support brackets and gasketed, non-skid, secured cover with removable lift handles. Only available with sizes 200-700.	200 12,163.00
		300 12,582.00
		400 13,709.00
		500 14,439.00
		700 POA
-SI	Solids Interceptor Only (Specify required size.)	POA
-T	Cover recessed for tile/terrazzo. A 3" minimum extension height is required. (Specify 'C' dimension and required recess depth: 1/8", 3/4", or 1-1/4".)	200 8,990.00
		300 10,389.00
		400 12,752.00
		500 17,718.00
		600 POA
		700 POA
800 POA		
-XF	Extra Supply of 30 Solids Filter Bags	POA

PREFIXES	DESCRIPTION	SIZE	LIST PRICE
Z1165*	Acid Resistant Coated Fabricated Steel	200	9,629.00
		300	10,813.00
		400	13,327.00
		500	17,588.00
		600	35,534.00
		700	40,050.00
		800	41,382.00
ZS1165	All Type 304 Fabricated Stainless Steel		POA
SUFFIXES	DESCRIPTION	SIZE	ADD
-HD	Heavy Duty Cover rated at 10,000 lbs. maximum safe live load. A 3" minimum extension height is required when Heavy Duty Cover option (-HD) is specified.	200	8,795.00
		300	9,291.00
		400	10,265.00
		500	10,750.00
		600	11,351.00
		700	15,618.00
		800	17,138.00
-K	Anchor flange 1-3/4" down from top and 2" wide. A 3" minimum extension height is required when anchor flange (-K) option is specified (specify 'C' dimension required).	200	2,003.00
		300	2,084.00
		400	2,191.00
		500	2,232.00
		600	2,608.00
		700	2,917.00
		800	3,497.00

Size	Inlet/Outlet inch [mm]	Flow Rate gpm [LPM]	Capacity		Approximate Weight lb [kg]	Dimensions in inches [mm]				
			Water gallon [L]	Grease lb [kg]		C	D/E	F	G	H
200	3 [76]	7 [26]	16 [61]	14 [6]	136 [62]	15 [381]	11-3/4 [298]	29 [737]	17-1/4 [438]	17-1/4 [438]
300		10 [38]	21 [79]	20 [9]	169 [77]	17 [432]	12-7/16 [316]	31-1/4 [794]	19-7/8 [505]	19-7/8 [505]
400		15 [57]	30 [114]	30 [14]	204 [93]	18-3/4 [476]	14-3/16 [360]	33-1/8 [841]	22-1/2 [572]	
500		20 [76]	40 [151]	40 [18]	239 [108]	21-1/2 [546]	16 [406]	35 [889]	24-1/2 [622]	
600		25 [95]	65 [246]	50 [23]	379 [172]	25-1/4 [641]	20 [508]	36 [914]	28-5/8 [727]	22-1/2 [572]
700		35 [132]	110 [416]	70 [32]	476 [216]	28 [711]	23 [584]	42-3/4 [1086]	33-5/8 [854]	
800		50 [189]	150 [568]	100 [45]	823 [373]	30-1/8 [765]	24-1/2 [622]	47-1/2 [1207]	40 [1016]	

*Regularly furnished unless otherwise specified.

Items designated as Best Sellers are most specified and are generally in stock for shipment.

For additional product information, please visit www.zurn.com

INTRO
ROOF DRAINS
FLOOR DRAINS
I, P, BW VALVES
INTERCEPTORS
CARRIERS
HYDRANTS
CLEANOUTS
WHA
SS DRAINS
SAN-FLOOR
TECH INFO

Z1170 GREASE INTERCEPTOR

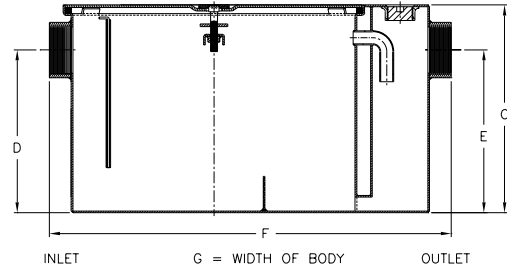


ENGINEERING SPECIFICATION

Zurn Z1170 grease interceptor features acid resistant coated interior and fabricated steel exterior, PDI rated at ___ gpm and ___ lb grease capacity, internal air relief bypass, bronze cleanout plug, removable pressure equalizing/flow-diffusing inlet baffle, fixed bottom outlet baffle, and visible double wall trap seal. Gasketed, non-skid, secured cover comes complete with center tie down assembly with Z1108 flow control fitting. Regularly furnished with a high inlet and outlet connection.

NOTES

Location of outlet from bottom of interceptor cannot be changed.



PREFIXES	DESCRIPTION	SIZE	LIST PRICE
Z1170*	Acid Resistant Coated Fabricated Steel	100	3,265.00
		200	4,525.00
		300	5,323.00
		400	7,878.00
		500	9,639.00
		600	10,832.00
		700	13,386.00
800	17,726.00		
SUFFIXES		SIZE	ADD
-AL	Aluminum Cover	100-400	1,762.00
		500-800	2,466.00
-DI	Dual High/Low Inlet		524.00
EA. ADDITIONAL 1" OVER 6" UP TO 6"			
-E	Acid Resistant Coated interior and exterior fabricated steel extension section (specify 'C' dimension required) for recessed installation.	100 POA	POA
		200 POA	POA
		300 301.00	5,942.00
		400 338.00	6,104.00
		500 381.00	6,104.00
		600 434.00	6,939.00
		700 475.00	7,294.00
		800 549.00	7,887.00
		SIZE	ADD
-HD	Heavy duty traffic cover rated at 10,000 lbs. maximum safe live load. A 3" minimum extension height is required when Heavy Duty Cover (-HD) option is specified.	300	9,288.00
		400	10,265.00
		500	10,750.00
		600	11,351.00
		700	15,618.00
		800	17,138.00
-K	Anchor flange 1-3/4" down from top and 2" wide. A 3" minimum extension height is required when anchor flange (-K) option is specified (specify 'C' dimension required).	100	POA
		200	POA
		300	1,856.00
		400	1,856.00
		500	2,003.00
		600	2,084.00
		700	2,191.00
800	2,232.00		

SUFFIXES		SIZE	ADD
-KC	Anchor flange 1-3/4" down from top and 2" wide with clamp collar. A 3" minimum extension height is required when anchor flange (-KC) option is specified.	100	POA
		200	POA
		300	2,232.00
		400	2,232.00
		500	2,232.00
		600	2,489.00
		700	2,583.00
800	2,939.00		
-L	Angle type (Z1108-L) flow control device with plunger		N/C
-PW	Plug Wrench		110.00
-R	Acid resistant coated interior and exterior fabricated steel recessing receiver for recessed installation is equipped with adjustable support brackets and gasketed non-skid cover with removable lift handles.	100	7,490.00
		200	8,579.00
		300	8,940.00
		400	9,572.00
		500	10,185.00
		600	10,400.00
		700	10,451.00
800	11,523.00		
-RE	Acid resistant coated interior and exterior fabricated steel recessing receiver enclosed type for recessed installation. Furnished with adjustable support brackets and gasketed, non-skid, secured cover with removable lift handles.	100	8,564.00
		200	9,890.00
		300	10,361.00
		400	11,287.00
		500	12,163.00
		600	12,582.00
		700	13,709.00
		800	14,439.00
-T	Cover recessed for tile/terrazzo. A 3" minimum extension height is required. (Specify 'C' dimension and required recess depth: 1/8", 3/4", or 1-1/4".)	100	POA
		200	POA
		300	6,629.00
		400	8,039.00
		500	8,990.00
		600	10,389.00
		700	12,752.00
		800	17,718.00
BEST SELLERS			LIST PRICE
Z1170-300-2IP			5,323.00
Z1170-600-3IP			10,832.00
Z1170-700-3IP			13,386.00
Z1170-700-3NH			13,386.00
Z1170-800-3IP			17,726.00
Z1170-800-4IP			17,726.00

*Regularly furnished unless otherwise specified.
Items designated as Best Sellers are most specified and are generally in stock for shipment.

Size	Inlet/Outlet inch [mm]	Flow Rate gpm [LPM]	Capacity		Approximate Weight lb [kg]	Dimensions in inches [mm]			
			Water gallon [L]	Grease lb [kg]		C	D/E	F	G
100	2 [51]	4 [15]	3 [11]	8 [4]	42 [19]	10 [254]	7-1/4 [184]	20-3/8 [518]	9-7/8 [251]
200		7 [26]	5 [19]	14 [6]	53 [24]	11-1/4 [286]	8-1/8 [206]	21-3/4 [552]	11-7/8 [302]
300		10 [38]	6 [23]	20 [9]	66 [30]	11-3/4 [298]	8-1/4 [210]	25-1/8 [638]	14 [356]
400	3 [76]	15 [57]	10 [38]	30 [14]	83 [38]	13-3/8 [340]	9-3/8 [238]	27-1/8 [689]	16-3/4 [425]
500		20 [76]	16 [61]	40 [18]	99 [45]	15 [381]	11-3/4 [298]	30 [762]	17-1/4 [438]
600		25 [95]	21 [79]	50 [23]	124 [56]	17 [432]	12-1/2 [318]	32-1/4 [819]	19-7/8 [505]
700		35 [132]	30 [114]	70 [32]	151 [68]	18-3/4 [476]	14-1/4 [362]	34-1/8 [867]	22-1/2 [572]
800		50 [189]	40 [151]	100 [45]	180 [82]	21-1/2 [546]	16 [406]	36 [914]	24-1/2 [622]

Z1170-UN GREASE INTERCEPTOR WITH USER NOTIFICATION SYSTEM



ENGINEERING SPECIFICATION

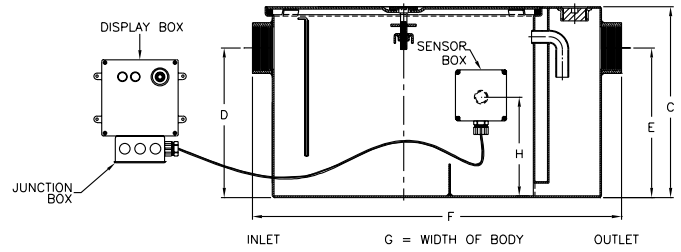
Zurn Z1170-UN grease interceptor features acid resistant coated interior and fabricated steel exterior, rated at ___ gpm and ___ lb grease capacity, internal air relief bypass, bronze cleanout plug, removable pressure equalizing/flow-diffusing inlet baffle, fixed bottom outlet baffle, and visible double wall trap seal. Gasketed, non-skid, secured cover comes complete with center tie down assembly and Z1108 flow control fitting. Includes encased fiberglass sensor box containing an electronic grease level sensor and a fiberglass display box with green power light, red grease level light, audio alarm, and junction box. Regularly furnished with a high inlet and outlet connection.

NOTES

1. Location of outlet from bottom of interceptor cannot be changed.
2. Factory installed sensor box is mounted on the left- or right-hand side of the unit when facing inlet (must be specified).
3. Power supply 120V GFCI.

RECOMMENDED INSTALLATIONS

Sitting on the floor or recessed in a pit only. (A pit installation requires that a drain or sump pump be installed to keep the pit relatively dry.)



PREFIXES	DESCRIPTION	LIST PRICE	
Z1170-UN*	Acid Resistant Coated Fabricated Steel	POA	
ZS1170-UN	All Type 304 Fabricated Stainless Steel	POA	
SUFFIXES	SIZE	ADD	
-AL	Aluminum Cover	400 500-800	1,762.00 2,466.00
-L	Angle Type (Z1108-L) Flow Control Device with Plunger		N/C
-PW	Plug Wrench		110.00

Size	Inlet/Outlet inch [mm]	Flow Rate gpm [LPM]	Capacity		Approximate Weight lb [kg]	Dimensions in inches [mm]				
			Water gallon [L]	Grease lb [kg]		C	D/E	F	G	H
400	3 [76]	15 [57]	10 [38]	30 [14]	83 [38]	13-3/8 [340]	9-3/8 [238]	27-1/8 [689]	16-3/4 [425]	5-11/16 [144]
500		20 [76]	16 [61]	40 [18]	99 [45]	15 [381]	11-3/4 [298]	30 [762]	17-1/4 [438]	7-3/4 [197]
600		25 [95]	21 [79]	50 [23]	124 [56]	17 [432]	12-1/2 [318]	32-1/4 [819]	19-7/8 [505]	8-1/2 [216]
700		35 [132]	30 [114]	70 [32]	151 [68]	18-3/4 [476]	14-1/4 [362]	34-1/8 [867]	22-1/2 [572]	9-7/8 [251]
800		50 [189]	40 [151]	100 [45]	180 [82]	21-1/2 [546]	16 [406]	36 [914]	24-1/2 [622]	11 [279]

*Regularly furnished unless otherwise specified.

Items designated as Best Sellers are most specified and are generally in stock for shipment.

For additional product information, please visit www.zurn.com

INTRO
 ROOF DRAINS
 FLOOR DRAINS
 I, P, BW VALVES
 INTERCEPTORS
 CARRIERS
 HYDRANTS
 CLEANOUTS
 WHA
 SS DRAINS
 SANI-FLOOR
 TECH INFO

ZS1170 GREASE INTERCEPTOR STAINLESS STEEL



Sizes
500-800

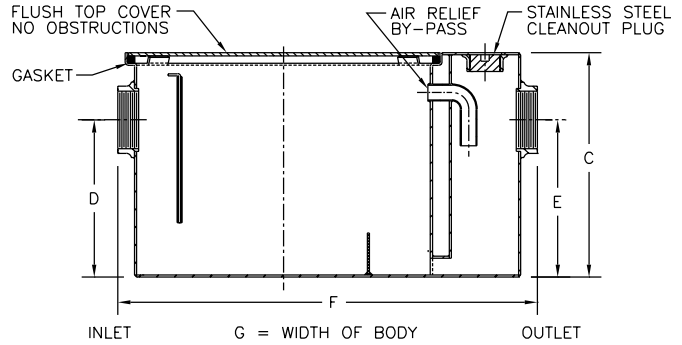


ENGINEERING SPECIFICATION

Zurn ZS1170 all type 304 grease interceptor features fabricated stainless steel, PDI rated at ___ gpm and ___ lb grease capacity, internal air relief bypass, bronze, and visible double wall trap seal with removable combination pressure equalizing/flow-diffusing baffle and sediment tray. Gasketed, non-skid, secured cover comes complete with Z1108 flow control fitting. Regularly furnished inlet and outlet in high position.

NOTES

Location of outlet from bottom of interceptor cannot be changed.



PREFIXES	DESCRIPTION	SIZE	LIST PRICE	
ZS1170*	All Type 304 Fabricated Stainless Steel	100	8,154.00	
		200	11,317.00	
		300	13,292.00	
		400	19,692.00	
		500	24,097.00	
		600	27,068.00	
		700	33,459.00	
		800	44,307.00	
SUFFIXES		ADD		
-DI	Dual High/Low Inlet	524.00		
		SIZE	EA. ADDITIONAL 1" OVER 6"	UP TO 6"
-E	Fabricated stainless steel extension section (specify 'C' dimension required) for recessed installation.	100	POA	POA
		200	POA	POA
		300	741.00	14,845.00
		400	835.00	15,252.00
		500	941.00	15,252.00
		600	1,067.00	16,259.00
		700	1,182.00	18,227.00
		800	1,378.00	19,715.00
		SIZE	ADD	
-HD	Heavy duty traffic cover rated at 10,000 lbs. maximum safe live load. A 3" minimum extension height is required when Heavy Duty Cover (-HD) option is specified.	100	16,034.00	
		200	17,957.00	
		300	19,302.00	
		400	20,768.00	
		500	21,985.00	
		600	23,211.00	
		700	25,651.00	
		800	26,876.00	
-K	Anchor flange 1-3/4" down from top and 2" wide. A 3" minimum extension height is required when anchor flange (-K) option is specified (specify 'C' dimension required).	100	POA	
		200	POA	
		300	4,638.00	
		400	4,638.00	
		500	4,995.00	
		600	5,214.00	
		700	5,460.00	
		800	5,579.00	

SUFFIXES	DESCRIPTION	SIZE	ADD	
-KC	Anchor flange 1-3/4" down from top and 2" wide with clamp collar. A 3" minimum extension height is required when anchor flange (-KC) option is specified.	100	POA	
		200	POA	
		300	5,579.00	
		400	5,579.00	
		500	5,579.00	
		600	6,209.00	
		700	6,702.00	
		800	7,343.00	
-L	Angle type (Z1108-L) flow control device with plunger (Acid Resistant Coated cast iron)		N/C	
-R	Fabricated stainless steel recessing receiver for recessed installation is equipped with adjustable support brackets and gasketed, non-skid, secured cover with removable lift handles.	100	18,718.00	
		200	21,438.00	
		300	22,339.00	
		400	23,917.00	
		500	25,459.00	
		600	26,115.00	
		700	27,268.00	
		800	28,801.00	
-RE	Fabricated stainless steel recessing receiver enclosed type for recessed installation. Furnished with adjustable support brackets and gasketed, non-skid, secured cover with removable lift handles.	100	21,402.00	
		200	24,724.00	
		300	25,900.00	
		400	28,203.00	
		500	30,395.00	
		600	31,439.00	
		700	34,263.00	
		800	36,097.00	
-T	Cover recessed for tile/terrazzo. A 3" minimum extension height is required. (Specify 'C' dimension and required recess depth: 1/8", 3/4", or 1-1/4".)	100	POA	
		200	POA	
		300	6,629.00	
		400	8,039.00	
		500	8,990.00	
		600	10,389.00	
		700	12,752.00	
		800	17,718.00	
BEST SELLERS		LIST PRICE		
ZS1170-500-3IP		24,097.00		
ZS1170-800-3IP		44,307.00		

Size	Inlet/Outlet inch [mm]	Flow Rate gpm [LPM]	Capacity		Approximate Weight lb [kg]	Dimensions in inches [mm]			
			Water gallon [L]	Grease lb [kg]		C	D/E	F	G
100	2 [51]	4 [15]	3 [11]	8 [4]	42 [19]	10 [254]	7-1/4 [184]	20-3/8 [518]	9-7/8 [251]
200		7 [26]	5 [19]	14 [6]	53 [24]	11-1/4 [286]	8-1/8 [206]	21-3/4 [552]	11-7/8 [302]
300		10 [38]	6 [23]	20 [9]	66 [30]	11-3/4 [298]	8-1/4 [210]	25-1/8 [638]	14 [356]
400	3 [76]	15 [57]	10 [38]	30 [14]	83 [38]	13-3/8 [340]	9-3/8 [238]	27-1/8 [689]	16-3/4 [425]
500		20 [76]	16 [61]	40 [18]	99 [45]	15 [381]	11-3/4 [298]	30 [762]	17-1/4 [438]
600		25 [95]	21 [79]	50 [23]	124 [56]	17 [432]	12-1/2 [318]	32-1/4 [819]	19-7/8 [505]
700		35 [132]	30 [114]	70 [32]	151 [68]	18-3/4 [476]	14-1/4 [362]	34-1/8 [867]	22-1/2 [572]
800		50 [189]	40 [151]	100 [45]	180 [82]	21-1/2 [546]	16 [406]	36 [914]	24-1/2 [622]

Z1171 LOW PROFILE GREASE INTERCEPTOR

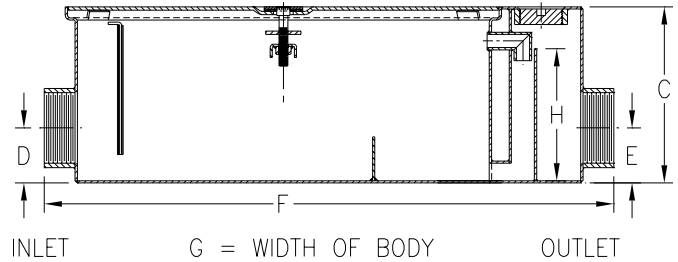


ENGINEERING SPECIFICATION

Zurn Z1171 low profile grease interceptor features acid resistant coated interior and fabricated steel exterior, PDI rated at ___gpm and ___lb grease capacity, internal air relief bypass, bronze cleanout plug, removable pressure equalizing/flow-diffusing inlet baffle, fixed bottom outlet baffle, and visible double wall trap seal. Gasketed, non-skid, secured cover comes complete with center tie down assembly and Z1108 flow control fitting. Regularly furnished with 3" low inlet and outlet.*

CAUTION

Solids should not be permitted to enter a grease interceptor. Where solids are present, use a Zurn Z1183 or Z1183-DF solids interceptor (see pages 183 and 184). Installations using indirect piping to unit could result in standing water in floor sink or flooding if line blockage occurs. Interceptors must be maintained periodically in order to ensure proper operation of the system. Follow cleaning schedule based on usage.



PREFIXES	DESCRIPTION	SIZE	LIST PRICE
Z1171*	Acid Resistant Coated Fabricated Steel	500	12,997.00
		700	16,734.00
		800	28,354.00
ZS1171	All Type 304 Fabricated Stainless Steel		POA
SUFFIXES	DESCRIPTION		ADD
-L	Angle Type (Z1108-L) Flow Control Device with Plunger		N/C
-PW	Plug Wrench		110.00
BEST SELLERS			LIST PRICE
Z1171-500-3IP			12,997.00
ZS1171-500-3IP			POA
Z1171-700-3IP			16,734.00
ZS1171-700-3IP			POA
Z1171-800-3IP			28,354.00
Z1171-800-4IP			28,354.00

Size	Inlet/Outlet inch [mm]	Flow Rate gpm [LPM]	Capacity		Approximate Weight lb [kg]	Dimensions in inches [mm]				
			Water gallon [L]	Grease lb [kg]		C	D/E	F	G	H
500	3 [76]	20 [76]	15 [57]	40 [18]	102 [46]	10 [254]	3-1/8 [79]	32-3/8 [822]	20-3/4 [527]	6-3/4 [171]
700		35 [132]	30 [114]	70 [32]	172 [78]	10-3/4 [273]	3-5/16 [84]	43-1/2 [1105]		7 [178]
800		50 [189]	45 [170]	100 [45]	210 [95]	16 [406]	10 [254]	49-7/8 [1267]	10 [254]	

*Regularly furnished unless otherwise specified.

Items designated as Best Sellers are most specified and are generally in stock for shipment.

For additional product information, please visit www.zurn.com

Z1171-TD LOW PROFILE GREASE INTERCEPTOR WITH ACCUMULATING CONE AND FLOW CONTROL TEE

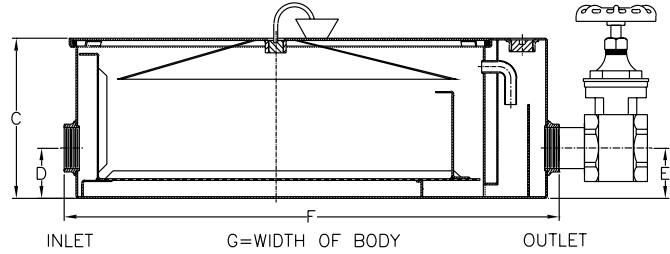


ENGINEERING SPECIFICATION

Zurn Z1171-TD low profile grease interceptor features acid resistant coated interior and fabricated steel exterior, PDI rated at ___gpm and ___lb grease capacity, internal air relief bypass, bronze cleanout plug, and visible double wall trap seal with removable combination pressure equalizing/flow-diffusing baffle and sediment tray. Gasketed, non-skid, secured cover comes complete with draw-off port having bronze plug, grease accumulating cone, NPT to hose adapter, 2-foot flexible hose, hose clamp, and in-line closure valve, complete with Z1108 flow control fitting. Regularly furnished with 3" low inlet and outlet.

CAUTION

Solids should not be permitted to enter a grease interceptor. Where solids are present, use a Zurn Z1183 or Z1183-DF solids interceptor (see pages 183 and 184). Installations using indirect piping to unit could result in standing water in floor sink or flooding if line blockage occurs. Interceptors must be maintained periodically in order to ensure proper operation of the system. Follow cleaning schedule based on usage.



PREFIXES	DESCRIPTION	SIZE	LIST PRICE
Z1171-TD*	Acid Resistant Coated Fabricated Steel	500	21,621.00
		700	30,481.00
		800	37,389.00

SUFFIXES	DESCRIPTION	ADD
-L	Angle Type (Z1108-L) Flow Control Device with Plunger	N/C
-PW	Plug Wrench	110.00

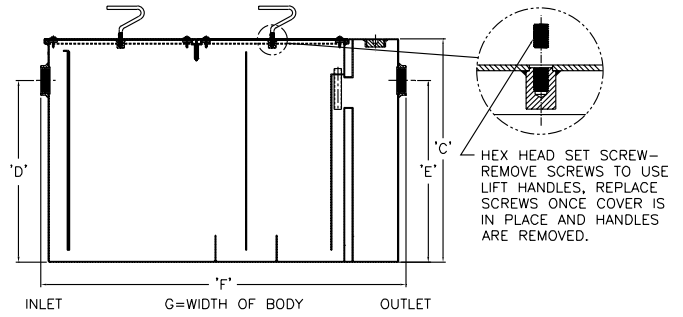
Size	Inlet/Outlet inch [mm]	Flow Rate gpm [LPM]	Capacity		Approximate Weight lb [kg]	Dimensions in inches [mm]				
			Water gallon [L]	Grease lb [kg]		C	D/E	F	G	H
500	3 [76]	20 [76]	15 [57]	40 [18]	102 [46]	10 [254]	3-1/8 [79]	31 [787]	21-1/8 [537]	6-3/4 [171]
700		35 [132]	30 [114]	70 [32]	172 [78]	10-3/4 [273]		42-1/8 [1070]	29-3/8 [746]	7 [178]
800		50 [189]	45 [170]	100 [45]	210 [95]	16 [406]	10 [254]	49-1/2 [1257]		10 [254]

Z1172 LARGE CAPACITY GREASE INTERCEPTOR



ENGINEERING SPECIFICATION

Zurn Z1172 large capacity grease interceptor features acid resistant coated interior and fabricated steel exterior, rated at ___ gpm and ___ lb grease capacity, internal air relief bypass, bronze cleanout plug (which can be used as a sampling port), and visible double wall trap seal with removable pressure equalizing/flow-diffusing baffle. Gasketed, non-skid, secured cover comes complete with removable lift handles, complete with flow control fitting. Regularly furnished with inlet and outlet in high position.



PREFIXES	DESCRIPTION	SIZE	LIST PRICE
Z1172*	Acid Resistant Coated Fabricated Steel	900	35,717.00
		1000	40,192.00
		1100	42,418.00
		1200	44,639.00
		1300	64,735.00
		1400	75,377.00
		1500	88,839.00
		1600	98,669.00
		1700	108,703.00
1800	122,346.00		
1900	128,663.00		

ZS1172 All Type 304 Fabricated Stainless Steel POA

SUFFIXES	DESCRIPTION	ADD
-AL	Aluminum Cover	POA

	DESCRIPTION	SIZE	EA. ADDITIONAL	
			1" OVER 10"	UP TO 10"
-E	Acid Resistant Coated interior and exterior fabricated steel extension section (specify 'C' dimension required) for recessed installation.	900	338.00	4,246.00
		1000	362.00	4,769.00
		1100	390.00	5,044.00
		1200	413.00	5,306.00
		1300	434.00	9,546.00
		1400	475.00	11,856.00
		1500	534.00	14,169.00
		1600	598.00	16,462.00
		1700	657.00	19,198.00
		1800	690.00	21,761.00
1900	711.00	24,740.00		

BEST SELLERS	LIST PRICE
Z1172-900-3IP	35,717.00
Z1172-1000-4IP	40,192.00
Z1172-1200-4IP	44,639.00
Z1172-1300-4IP	64,735.00
Z1172-1400-5IP	75,377.00
Z1172-1900-6IP	128,663.00

SUFFIXES	DESCRIPTION	SIZE	ADD
-HD	Heavy duty traffic cover rated at 10,000 lbs. maximum safe live load. A 3" minimum extension height is required when Heavy Duty Cover (-HD) option is specified.	900	11,351.00
		1000	15,618.00
		1100	17,138.00
		1200	20,054.00
		1300	22,873.00
		1400	31,568.00
		1500	40,525.00
		1600	47,787.00
		1700	55,032.00
		1800	62,885.00
1900	67,238.00		
-K	Anchor flange 1-3/4" down from top and 2" wide. A 3" minimum extension height is required when anchor flange (-K) option is specified (specify 'C' dimension required).	900	2,608.00
		1000	2,917.00
		1100	3,497.00
		1200	4,077.00
		1300	4,366.00
		1400	5,822.00
		1500	6,589.00
-KC	Anchor flange 1-3/4" down from top and 2" wide with clamp collar. A 3" minimum extension height is required when anchor flange (-KC) option is specified.	900	4,739.00
		1000	5,300.00
		1100	5,924.00
		1200	6,560.00
		1300	7,668.00
		1400	10,337.00
		1500	11,150.00
		1600	12,357.00
		1700	12,948.00
		1800	9,875.00
1900	14,695.00		
-L	Angle type (Z1108-L) flow control device with plunger		N/C
-PW	Plug Wrench		110.00
-RE	Recessing receiver enclosed type for recessed installation. Furnished with gasketed, non-skid cover with removable lift handles. (Sizes 900 & 1000 Only)		POA

Size	Inlet/Outlet inch [mm]	Flow Rate gpm [LPM]	Capacity		No. of Covers	Approximate Weight lb [kg]	Dimensions in inches [mm]			
			Water gallon [L]	Grease lb [kg]			C	D/E	F	G
900	3 [76]	75 [284]	65 [246]	150 [68]	1	316 [143]	22-3/4 [578]	18-1/2 [470]	36 [914]	28-5/8 [727]
1000		100 [379]	110 [416]	200 [91]		408 [185]	27 [686]	23 [584]	42-3/4 [1086]	33-5/8 [854]
1100		125 [473]	150 [568]	250 [113]		749 [340]	30-1/8 [765]	24-1/2 [622]	49-1/4 [1251]	40 [1016]
1200	4 [102]	150 [568]	195 [738]	300 [136]	2	856 [388]	30-3/4 [781]	25-1/4 [641]	56 [1422]	41-5/8 [1057]
1300		200 [757]	270 [1022]	400 [1881]		1016 [461]	35-1/2 [902]	29-7/8 [759]	61 [1549]	43-5/8 [1108]
1400		250 [946]	465 [1760]	500 [227]		1384 [628]	41 [1041]	36 [914]	71 [1803]	51-5/8 [1311]
1500	5 [127]	300 [1136]	665 [2517]	600 [272]	2	1770 [803]	46-1/4 [1175]	39-5/8 [1006]	80 [2032]	58-5/8 [1489]
1600		350 [1325]	865 [3274]	700 [318]		2096 [951]	50-1/2 [1283]	43-7/8 [1114]	87 [2210]	63-5/8 [1616]
1700		400 [1514]	1095 [4145]	800 [363]		2440 [1107]	54-1/4 [1378]	47-5/8 [1210]	94 [2388]	67 [1702]
1800	6 [152]	450 [1703]	1280 [4845]	900 [408]	3	2710 [1229]	55-1/4 [1403]	48-5/8 [1235]	100 [2540]	72 [1829]
1900		500 [1893]	1440 [5451]	1000 [454]		2857 [1296]	57-1/4 [1454]	51-5/8 [1311]	104 [2642]	74 [1880]

*Regularly furnished unless otherwise specified.

Items designated as Best Sellers are most specified and are generally in stock for shipment.

For additional product information, please visit www.zurn.com

Z1172-UN LARGE CAPACITY GREASE INTERCEPTOR WITH USER NOTIFICATION SYSTEM



ENGINEERING SPECIFICATION

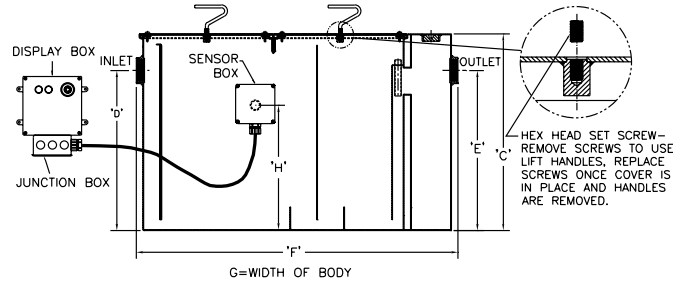
Zurn Z1172-UN Large capacity, Acid Resistant Coated interior and exterior fabricated steel grease interceptor, rated at ___gpm and ___lbs. grease capacity, with internal air relief bypass, bronze cleanout plug, and visible double wall trap seal with removable pressure equalizing/flow-diffusing baffle. Gasketed, non-skid, secured cover with removable lift handles complete with flow control fitting. Includes encased fiberglass sensor box containing an electronic grease level sensor (specify right or left side[†]), a fiberglass display box with one green power light, red grease level light, audio alarm, and junction box. Regularly furnished with inlet and outlet in high position.

NOTES

1. Location of inlet/outlet from bottom of interceptor cannot be changed. Power supply 120V GFCI.
2. [†]Sensor box is mounted on the left- or right-hand side of the unit when facing inlet (must be specified).
3. Sizes 900 and 1000 require one cover.
4. Sizes 1100 and 1600 require two covers.
5. Sizes 1700 thru 1900 require three covers.

RECOMMENDED INSTALLATIONS

Sitting on the floor or recessed in a pit only. (A pit installation requires that a drain or sump pump be installed to keep the pit relatively dry.)



PREFIXES	DESCRIPTION	SIZE	LIST PRICE
Z1172-UN*	Acid Resistant Coated Fabricated Steel	900	50,980.00
		1000	55,456.00
		1100	57,678.00
		1200	59,907.00
		1300	80,001.00
		1400	90,643.00
		1500	104,104.00
		1600	113,933.00
		1700	123,968.00
		1800	137,618.00
1900	143,928.00		
ZS1172	All Type 304 Fabricated Stainless Steel		POA
SUFFIXES	DESCRIPTION		ADD
-AL	Aluminum Cover		POA
-L	Angle type (Z1108-L) flow control device with plunger		N/C
-PW	Plug Wrench		110.00
BEST SELLER			LIST PRICE
Z1172-UN-1100			57,678.00

Size	Inlet/Outlet inch [mm]	Flow Rate gpm [LPM]	Capacity		Approximate Weight lb [kg]	Dimensions in inches [mm]				
			Water gallon [L]	Grease lb [kg]		C	D/E	F	G	H
900	3 [76]	75 [284]	65 [246]	150 [68]	316 [143]	22-3/4 [578]	18-1/2 [470]	36 [914]	28-5/8 [727]	11-1/4 [286]
1000		100 [379]	110 [416]	200 [91]	408 [185]	27 [686]	23 [584]	42-3/4 [1086]	33-5/8 [854]	16-1/8 [410]
1100		125 [473]	150 [568]	250 [113]	749 [340]	30-1/8 [765]	24-1/2 [622]	49-1/4 [1251]	40 [1016]	16-5/16 [414]
1200	4 [102]	150 [568]	195 [738]	300 [136]	856 [388]	30-3/4 [781]	25-1/4 [641]	56 [1422]	41-5/8 [1057]	18-1/16 [459]
1300		200 [757]	270 [1022]	400 [181]	1016 [461]	35-1/2 [902]	29-7/8 [759]	61 [1549]	43-5/8 [1108]	21-7/8 [556]
1400	5 [127]	250 [946]	465 [1760]	500 [227]	1384 [628]	41 [1041]	36 [914]	71 [1803]	51-5/8 [1311]	28-9/16 [713]
1500		300 [1136]	665 [2517]	600 [272]	1770 [803]	46-1/4 [1175]	39-5/8 [1006]	80 [2032]	58-5/8 [1489]	32-1/2 [826]
1600	6 [152]	350 [1325]	865 [3274]	700 [318]	2096 [951]	50-1/2 [1283]	43-7/8 [1114]	87 [2210]	63-5/8 [1616]	35-7/8 [911]
1700		400 [1514]	1095 [4145]	800 [363]	2440 [1107]	54-1/4 [1378]	47-5/8 [1210]	94 [2388]	67 [1702]	39-3/4 [1010]
1800		450 [1703]	1280 [4845]	900 [408]	2710 [1229]	55-1/4 [1403]	48-5/8 [1235]	100 [2540]	72 [1829]	40-7/8 [1038]
1900		500 [1893]	1440 [5451]	1000 [454]	2857 [1296]	57-1/4 [1454]	51-5/8 [1311]	104 [2642]	74 [1880]	43-5/8 [1108]

Z1173 EJECTO-MATIC GREASE INTERCEPTOR



ENGINEERING SPECIFICATION

Zurn Z1173 ejecto-matic grease interceptor features acid resistant coated interior and fabricated steel exterior, PDI rated at ___gpm and ___lb grease capacity, internal air relief bypass, bronze cleanout plug, and visible double wall trap seal with removable combination pressure equalizing/flow-diffusing baffle and sediment tray and grease retention tray adjacent to grease draw-off valve. Gasketed, non-skid, secured cover comes complete with Z1108 flow control fitting. Regularly furnished with high inlet and outlet connection.

NOTES

1. Location of outlet from bottom of interceptor cannot be changed. Draw-off connection regularly furnished on outlet side.
2. On sizes #200 and #300, the grease draw-off valve is located on the left-hand side of the trap when facing the inlet, instead of on the outlet side as shown.

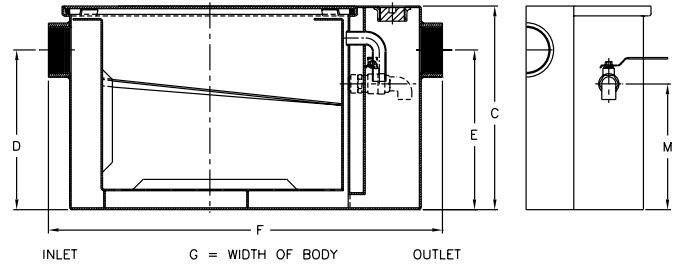
CAUTION

Solids should not be permitted to enter a grease interceptor.

Where solids are present, use a Zurn Z1183 or Z1183-DF solids interceptor (see pages 183 and 184).

Installations using indirect piping to unit could result in standing water in floor sink or flooding if line blockage occurs.

Interceptors must be maintained periodically in order to ensure proper operation of the system. Follow cleaning schedule based on usage.



PREFIXES	DESCRIPTION	SIZE	LIST PRICE
Z1173*	Acid Resistant Coated Fabricated Steel	200	6,487.00
		300	8,593.00
		400	9,722.00
		500	11,944.00
		600	14,766.00
		700	16,545.00
800	19,681.00		
900	24,217.00		
ZS1173	All Type 304 Fabricated Stainless Steel		POA
SUFFIXES	DESCRIPTION	SIZE	ADD
-L	Angle type (Z1108-L) flow control device with plunger		N/C
-PW	Plug Wrench		110.00
-R	Acid Resistant Coated interior and exterior fabricated steel recessing receiver for recessed installation. Furnished with adjustable support brackets and gasketed, non-skid, secured cover with removable lift handles.	200	7,764.00
		300	9,012.00
		400	10,017.00
		500	10,175.00
		600	10,361.00
		700	11,074.00
800	11,175.00		
900	13,585.00		
-RE	Acid Resistant Coated interior and exterior fabricated steel recessing receiver enclosed type for recessed installation. Furnished with adjustable support brackets and gasketed, non-skid, secured cover with removable lift handles.	200	9,504.00
		300	10,798.00
		400	12,009.00
		500	12,416.00
		600	12,908.00
		700	13,879.00
800	14,327.00		
900	17,622.00		
BEST SELLERS			LIST PRICE
Z1173-600-2IP			14,766.00
Z1173-800-4IP-RE			34,008.00

Size	Inlet/Outlet inch [mm]	Flow Rate gpm [LPM]	Capacity		Approximate Weight lb [kg]	Dimensions in inches [mm]				
			Water gallon [L]	Grease lb [kg]		C	D/E	F	G	M C/L Valve
200	2 [51]	7 [26]	5 [19]	14 [6]	56 [25]	11-1/4 [286]	8-1/8 [206]	21-3/4 [552]	11-7/8 [302]	6-1/8 [156]
300		10 [38]	6 [23]	20 [9]	70 [32]	11-3/4 [298]	8-1/4 [210]	25-1/8 [638]	14 [356]	5-3/4 [146]
400	3 [76]	15 [57]	10 [38]	30 [14]	87 [39]	13-3/8 [340]	9-3/8 [238]	27-1/8 [689]	16-3/4 [425]	6-7/8 [175]
500		20 [76]	16 [61]	40 [18]	104 [47]	15 [381]	11-3/4 [298]	30 [762]	17-1/4 [438]	9-1/4 [235]
600		25 [95]	21 [79]	50 [23]	129 [59]	17 [432]	12-1/2 [318]	32-1/4 [819]	19-7/8 [505]	9-1/2 [241]
700		35 [132]	30 [114]	70 [32]	156 [71]	18-3/4 [476]	14-1/4 [362]	34-1/8 [867]	22-1/2 [572]	11-1/4 [286]
800		50 [189]	40 [151]	100 [45]	186 [84]	21-1/2 [546]	16 [406]	36 [914]	24-1/2 [622]	13 [330]
900		75 [284]	65 [246]	150 [68]	316 [143]	22-3/4 [578]	18-1/2 [470]		28-5/8 [727]	15-1/2 [394]

*Regularly furnished unless otherwise specified.

Items designated as Best Sellers are most specified and are generally in stock for shipment.

For additional product information, please visit www.zurn.com

INTRO ROOF DRAINS FLOOR DRAINS T, P, BW VALVES INTERCEPTORS CARRIERS HYDRANTS CLEANOUTS WHA SS DRAINS SANI-FLOOR TECH INFO

Z1173-TD EJECTO-MATIC GREASE INTERCEPTOR WITH GREASE ACCUMULATING CONE AND IN-LINE SHUTOFF VALVE

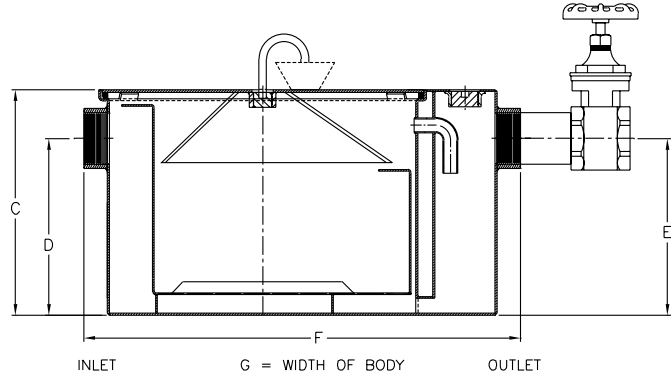


ENGINEERING SPECIFICATION

Zurn Z1173-TD ejecto-matic grease interceptor features acid resistant coated interior and fabricated steel exterior, PDI rated at ___gpm and ___lb grease capacity, internal air relief bypass, bronze cleanout plug, and visible double wall trap seal with removable combination pressure equalizing/flow-diffusing baffle and sediment tray. Gasketed, non-skid, secured cover comes complete with draw-off port having a bronze plug, grease accumulating cone, NPT to hose adapter, 2-foot flexible hose, hose clamp, in-line closure valve, and Z1108 flow control fitting. Regularly furnished with high inlet and outlet connection.

NOTES

Location of outlet from bottom of interceptor cannot be changed.

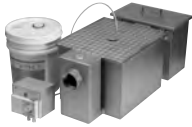


PREFIXES	DESCRIPTION	SIZE	LIST PRICE
Z1173-TD*	Acid Resistant Coated Fabricated Steel	200	11,574.00
		300	13,684.00
		400	14,581.00
		500	18,743.00
		600	21,739.00
		700	22,307.00
		800	25,468.00
		900	30,290.00

SUFFIXES	DESCRIPTION	SIZE	ADD
-L	Angle type (Z1108-L) flow control device with plunger		N/C
-PW	Plug Wrench		110.00
-R	Acid Resistant Coated interior and exterior fabricated steel recessing receiver for recessed installation. Furnished with adjustable support brackets and gasketed, non-skid, secured cover with removable lift handles.	200	9,316.00
		300	10,813.00
		400	12,016.00
		500	12,208.00
		600	12,435.00
		700	13,292.00
		800	13,415.00
	900	16,290.00	
-RE	Acid Resistant Coated interior and exterior fabricated steel recessing receiver enclosed type for recessed installation. Furnished with adjustable support brackets and gasketed, non-skid, secured cover with movable lift handles.	200	11,401.00
		300	12,953.00
		400	14,406.00
		500	14,907.00
		600	15,488.00
		700	16,619.00
		800	17,186.00
	900	21,137.00	
BEST SELLER			LIST PRICE
Z1173-600-4IP-TD			21,739.00

Size	Inlet/Outlet inch [mm]	Flow Rate gpm [LPM]	Capacity		Approximate Weight lb [kg]	Dimensions in inches [mm]			
			Water gallon [L]	Grease lb [kg]		C	D/E	F	G
200	2 [51]	7 [26]	5 [19]	14 [6]	56 [25]	11-1/4 [286]	8-1/8 [206]	21-3/4 [552]	11-7/8 [302]
300		10 [38]	6 [23]	20 [9]	70 [32]	11-3/4 [298]	8-1/4 [210]	25-1/8 [638]	14 [356]
400	3 [76]	15 [57]	10 [38]	30 [14]	87 [39]	13-3/8 [340]	9-3/8 [238]	27-1/8 [689]	16-3/4 [425]
500		20 [76]	16 [61]	40 [18]	104 [47]	15 [381]	11-3/4 [298]	30 [762]	17-1/4 [438]
600		25 [95]	21 [79]	50 [23]	129 [59]	17 [432]	12-1/2 [318]	32-1/4 [819]	19-7/8 [505]
700		35 [132]	30 [114]	70 [32]	156 [71]	18-3/4 [476]	14-1/4 [362]	34-1/8 [867]	22-1/2 [572]
800		50 [189]	40 [151]	100 [45]	186 [84]	21-1/2 [546]	16 [406]	36 [914]	24-1/2 [622]
900		75 [284]	65 [246]	150 [68]	316 [143]	22-3/4 [578]	18-1/2 [470]		28-5/8 [727]

Z1174 GREASE EATING BACTERIA DOSING UNIT AND SOLIDS INTERCEPTOR COMBINATION



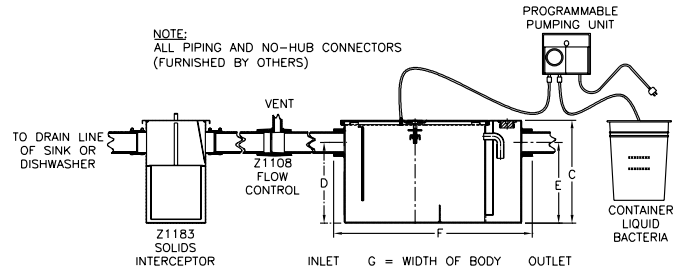
ZS1174 Shown. Z is Standard.

ENGINEERING SPECIFICATION

Zurn Z1174 grease interceptor with automatic bacteria dosing unit features acid resistant coated interior and exterior fabricated steel exterior, rated at _____ gpm and _____ lb grease capacity, internal air relief bypass, bronze cleanout plug, and visible double wall trap seal with removable pressure equalizing/flow-diffusing inlet baffle and fixed bottom outlet baffle. Gasketed, non-skid, secured cover comes complete with center tie down assembly and Z1108 flow control fitting. Furnished with Z1183 ARC solids interceptor, 110 VAC pump, pump mounting hardware, 15 feet of poly tubing and 5 gallons of grease-eating bacteria. Regularly furnished with inlet and outlet in high position.

NOTES

Location of outlet from bottom for interceptor cannot be changed.



PREFIXES	DESCRIPTION	SIZE	LIST PRICE
Z1174*	Acid Resistant Coated Fabricated Steel	100	10,877.00
		200	11,496.00
		300	12,905.00
		400	13,877.00
		500	16,872.00
		600	18,999.00
		700	20,631.00
		800	24,021.00
ZS1174	All Type 304 Fabricated Stainless Steel	100	26,363.00
		200	28,738.00
		300	32,250.00
		400	34,691.00
		500	42,167.00
		600	42,327.00
		700	51,573.00
		800	60,043.00

SUFFIXES	DESCRIPTION	ADD
-CS	Custom screens (for Z1183) Specify material and perforation size required.	POA
-LS	Less Solids Interceptor	POA
-P	Pump only, 110 VAC	3,784.00
-PW	Plug Wrench	110.00
-RK	Retrofit kit, pump and bacteria (5-gal.) only	5,096.00
-YR	Replacement stainless steel basket assembly	POA
-1	One-gallon grease eating bacteria only	279.00
-5	Five-gallon grease eating bacteria only	986.00

Size	Inlet/Outlet inch [mm]	Flow Rate gpm [LPM]	Capacity		Approximate Weight lb [kg]	Dimensions in inches [mm]			
			Water gallon [L]	Grease lb [kg]		C	D/E	F	G
100	2 [51]	4 [15]	3 [11]	8 [4]	60 [27]	10 [254]	7-1/4 [184]	20-3/8 [518]	9-7/8 [251]
200		7 [26]	5 [19]	14 [6]	76 [34]	11-1/4 [286]	8-1/8 [206]	21-3/4 [552]	11-7/8 [302]
300	3 [76]	10 [38]	6 [23]	20 [9]	93 [42]	11-3/4 [298]	8-1/4 [210]	25-1/8 [638]	14 [356]
400		15 [57]	10 [38]	30 [14]	116 [53]	13-3/8 [340]	9-3/8 [238]	27-1/8 [689]	16-3/4 [425]
500		20 [76]	16 [61]	40 [18]	136 [62]	15 [381]	11-3/4 [298]	30 [762]	17-1/4 [438]
600		25 [95]	21 [79]	50 [23]	169 [77]	17 [432]	12-1/2 [318]	32-1/4 [819]	19-7/8 [505]
700		35 [132]	30 [114]	70 [32]	209 [95]	18-3/4 [476]	14-1/4 [362]	34-1/8 [867]	22-1/2 [572]
800		50 [189]	40 [151]	100 [45]	239 [108]	21-1/2 [546]	16 [406]	36 [914]	24-1/2 [622]

*Regularly furnished unless otherwise specified.

Items designated as Best Sellers are most specified and are generally in stock for shipment.

For additional product information, please visit www.zurn.com

SOLIDS INTERCEPTORS – GENERAL PRODUCT INFORMATION

Zurn solids interceptors are specifically designed to capture and retain solid particles for a variety of different drain line applications. Units are available in Dura-Coated cast iron, bronze, Acid Resistant Coated steel and stainless steel, along with a multitude of screens designed for each application. If you require a solids interceptor not listed, phone 855-ONE-ZURN, or contact your local Zurn sales representative. Special screens and sizes are available to meet almost any need.

SOLIDS INTERCEPTORS – APPLICATION INDEX

Product selection should be made with a specific application and the type of construction in mind. The varied types and sizes of Zurn interceptors, along with their options, offer a selection for all applications.

APPLICATION	RECOMMENDED INTERCEPTOR
Food Preparation	Z1181, Z1182, Z1183, Z1183-DF, Z1183-FC
Hair Salons	Z1175, Z1176, Z1180, Z1184
Plaster	Z1180, Z1181
Barium	Z1180
Fish Scales	Z1181, Z1183, Z1183-FC, Z1185
Garbage Disposal	Z1181, Z1182, Z1183, Z1183-DF, Z1183-FC
Laundry, Clothes Washers	Z1185
With Z1170 and Z1173 Interceptors	Z1181, Z1182, Z1183, Z1183-DF, Z1183-FC

SOLIDS INTERCEPTORS – SIZING

All Zurn solids interceptors are designed for gravity flow where minimal head is expected. Zurn solids interceptors are designed to accommodate the flow rate of their inlet and outlet pipe size, provided they are maintained and kept clean.

Zurn solids interceptors should be sized by both expected flow rate and holding capacity. Z1185 lint interceptors must, however, be sized for the number of washing machines which they serve. Sizing for the Z1181 solids interceptor should be sized by the number and size of the sinks being served as is the case with the Z1170 grease interceptor.

Fixture Compartment Size (Inches)	Number of Compartments	Drainage Load (Gallons)	Recommended Size Solids interceptors	
			One-minute Drainage Period	Two-minute Drainage Period
18 x 12 x 6	1	4.2	7	4
16 x 14 x 8	1	5.8	7	4
20 x 18 x 8	1	9.4	10	7
18 x 16 x 8	2	15.0	15	10
20 x 18 x 8	2	18.7	20	10
30 x 20 x 8	1	15.5	20	10
24 x 20 x 12	1	18.7	20	10
22 x 20 x 8	2	23.0	25	15
22 x 20 x 12	2	34.0	35	20
24 x 24 x 12	2	44.9	50	25

Z1175 HAIR INTERCEPTOR

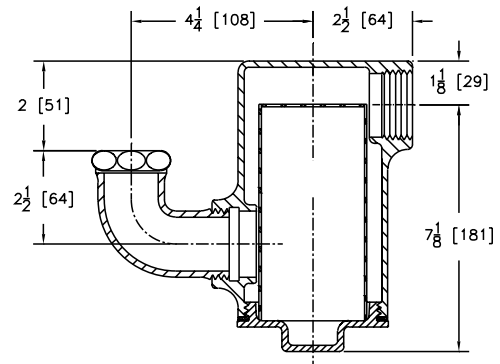


ENGINEERING SPECIFICATION

Zurn Z1175 Dura-Coated cast iron hair and solids interceptor, in lieu of fixture "P" trap, with 1-1/2" slip joint elbow inlet and 1-1/2" threaded side outlet, perforated stainless steel basket, removable from bottom, with flanged and gasketed, slotted cleanout cover with raised head. Perforation size is 1/8".

Inlet/Outlet inch [mm]	Approximate Weight lb [kg]
1-1/2 [38]	8 [4]

PREFIXES	DESCRIPTION	LIST PRICE
Z1175*	Standard Assembly (See Engineering Specification)	1,300.00
ZAB1175	All Satin Finish	2,381.00
SUFFIXES	DESCRIPTION	ADD
-CP	Chrome Plated Finish Interior and Exterior (ZAB Only)	754.00
-YR	Replacement Stainless Steel Basket	372.00
BEST SELLER		LIST PRICE
Z1175-1-1/2IP		1,300.00



Z1176 HAIR INTERCEPTOR

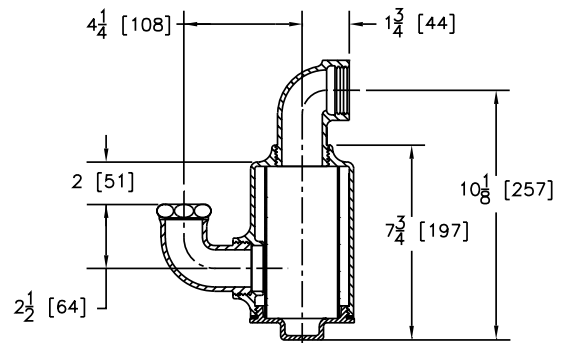


ENGINEERING SPECIFICATION

Zurn Z1176 hair and solids interceptor works in lieu of fixture "P" trap. Features Dura-Coated cast iron construction, 1-1/2" slip joint elbow inlet and 1-1/2" threaded swivel elbow top outlet, perforated stainless steel basket, removable from bottom, and flanged and gasketed cleanout cover with raised head. Perforation size is 1/8".

Inlet/Outlet inch [mm]	Approximate Weight lb [kg]
1-1/2 [38]	8 [4]

PREFIXES	DESCRIPTION	LIST PRICE
Z1176*	Standard Assembly (See Engineering Specification)	1,813.00
ZAB1176	All Satin Finish	2,877.00
SUFFIXES	DESCRIPTION	ADD
-CP	Chrome Plated Finish Interior and Exterior (ZAB Only)	843.00
-YR	Replacement Stainless Steel Basket	372.00
BEST SELLER		LIST PRICE
Z1176-1-1/2IP		1,813.00



*Regularly furnished unless otherwise specified.

Items designated as Best Sellers are most specified and are generally in stock for shipment.

For additional product information, please visit www.zurn.com

Z1180 SOLIDS INTERCEPTOR



ENGINEERING SPECIFICATION

Zurn Z1180 solids interceptor works in lieu of fixture "P" trap. Features acid resistant composite, on-floor installation, removable PVC sediment bucket with a removable 3/32" diameter perforated flow defusing/intercepting PVC screen, top access, gasketed, secured cover, stainless steel draw latches and hardware with an ABS handle for easy removal of sediment bucket and screen.

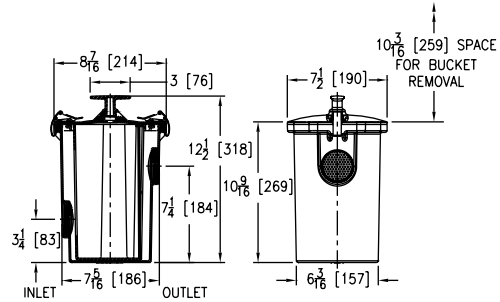
NOTES

*Regularly furnished with 2" threaded low inlet and high outlet.

CAUTION

Interceptors must be maintained periodically in order to ensure proper operation of the system. Follow cleaning schedule based on usage.

Inlet/Outlet inch [mm]	Flow Rate gpm [LPM]	Approximate Weight lb [kg]
1-1/2 [38], 2 [51]*	15 [57]	6 [3]



PREFIXES	DESCRIPTION	LIST PRICE
Z1180*	Standard Assembly (See Engineering Specification)	1,846.00
ZA1180	Acid Resistant Coated Fabricated Steel (Design different than what is shown.)	3,043.00
SUFFIXES	DESCRIPTION	ADD
-CS	Custom Screens (Specify material and perforation size required.)	POA
-RS	Replacement 3/32" Diameter Perforated Screen for Bucket	390.00
-SS	Stainless Steel 3/32" Diameter Perforated Screen for Bucket	580.00
-Y	Replacement Bucket Assembly with 3/32" Diameter Perforated Screen	749.00
BEST SELLERS		LIST PRICE
Z1180-1-1/2IP		1,846.00
Z1180-1-1/2-SS		2,426.00
Z1180-2IP		1,846.00
Z1180-2IP-SS		2,426.00
ZA1180-2IP		3,043.00
ZA1180-2IP-SS		3,623.00

Z1181 SOLIDS INTERCEPTOR



ENGINEERING SPECIFICATION

Zurn Z1181 solids interceptor features large capacity, acid resistant coated interior and fabricated steel exterior. Works in lieu of fixture "P" trap for on-floor or flush with floor installation. Furnished with a removable, acid resistant coated fabricated steel bucket with removable primary (3/8" diameter holes) and secondary (3/32" diameter holes) flow diffusing/intercepting brass screens, and complete with a top access, gasketed, secured cover.

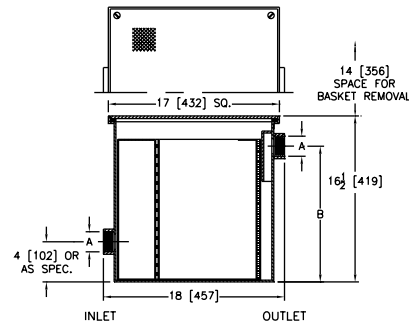
NOTES

*Regularly furnished with 2" threaded low inlet and high outlet.

CAUTION

Interceptors must be maintained periodically in order to ensure proper operation of the system. Follow cleaning schedule based on usage.

A Inlet/Outlet inch [mm]	B	Flow Rate gpm [LPM]	Approximate Weight lb [kg]
1-1/2 [38], 2 [51]*	13-1/2 [343]	30 [114]	40 [18]
3 [76]	13 [330]		



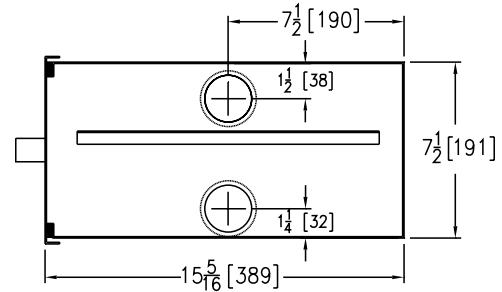
PREFIXES	DESCRIPTION	A INLET/OUTLET	LIST PRICE
Z1181*	Standard Assembly (See Engineering Specification)	1-1/2", 2"	6,820.00
		3"	6,983.00
SUFFIXES	DESCRIPTION	A INLET/OUTLET	ADD
-CS	Custom Screens (Specify material and perforation size required.)		POA
-R	Acid Resistant Coated Interior and Exterior Fabricated Steel Recessing Receiver for Recessed Installation is Equipped with Adjustable Support Brackets and Gasketed, Non-Skid, secured cover with removable Lift Handle		8,940.00
-SS	Stainless Steel Perforated Screens for Bucket (Specify perforation size.)	1-1/2", 2"	1,044.00
		3"	1,197.00
-Y	Replacement Bucket Assembly with Perforated Screens	1-1/2", 2"	2,993.00
		3"	3,146.00
BEST SELLERS			LIST PRICE
Z1181-1-1/2IP			6,820.00
Z1181-2IP			6,820.00
Z1181-2IP-SS			7,864.00
Z1181-3IP			6,983.00
Z1181-3IP-R			15,923.00

Z1182 SIDE ACCESS SOLIDS INTERCEPTOR



ENGINEERING SPECIFICATION

Zurn Z1182 side access solids interceptor features stainless steel construction. Ideal for suspended or under sink installations where there are height restrictions for a top removal solids interceptor. Furnished with removable sediment basket attached to a removable, gasketed, latched lid. All units have a high inlet and a low outlet on each side for right- or left-hand mounting.



WIDTH = $11\frac{1}{2}$ [292]

PREFIXES	DESCRIPTION	LIST PRICE
ZS1182*	All Type 304 Fabricated Stainless Steel	11,322.00
SUFFIXES	DESCRIPTION	ADD
-YR	Replacement Stainless Steel Basket Assembly	3,693.00
BEST SELLER	LIST PRICE	
Z1182-2IP		11,322.00

Inlet/Outlet inch [mm]	Flow Rate gpm [LPM]
2 [51]	35 [132]

Z1183 SOLIDS INTERCEPTOR

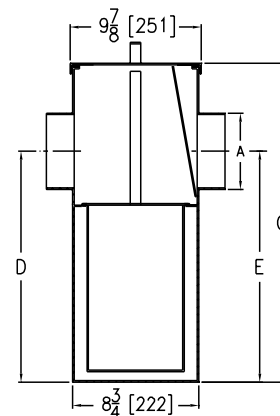


ENGINEERING SPECIFICATION

Zurn Z1183 solids interceptor features large capacity, acid resistant coated fabricated steel or stainless steel construction. Ideal for on floor or semi-recessed installation cores with screen attached to gasketed, removable, latched lid and removable sediment basket. Size to be used with corresponding Z1170, Z1172, or Z1173 grease interceptors.

CAUTION

Interceptors must be maintained periodically in order to ensure proper operation of the system. Follow cleaning schedule based on usage.



INLET G=WIDTH OF BODY OUTLET

PREFIXES	DESCRIPTION	SIZE	LIST PRICE
Z1183*	Acid Resistant Coated Fabricated Steel	100	2,673.00
		200	2,739.00
		300	2,877.00
		400	3,165.00
		500	3,425.00
		600	3,803.00
		700	4,107.00
		800	4,490.00
		900	4,960.00
ZS1183	All Type 304 Fabricated Stainless Steel	100	4,151.00
		200	4,410.00
		300	4,749.00
		400	5,352.00
		500	5,820.00
		600	6,771.00
		700	7,590.00
		800	8,551.00
		900	9,579.00
SUFFIXES	DESCRIPTION	ADD	
-CS	Custom Screens (Specify material and perforation size required.)	POA	
-YR	Replacement Stainless Steel Basket Assembly	POA	
BEST SELLERS	LIST PRICE		
Z1183-200-2NH		2,739.00	
Z1183-500-3NH		3,425.00	

Size	Inlet/Outlet inch [mm]	Flow Rate gpm [LPM]	Solid Capacity cu ft [cm ³]	Dimensions in inches [mm]			Approximate Weight lb [kg]
				C	D/E	G	
100	2 [51]	4 [15]	0.20 [0.06]	10 [254]	7-1/4 [184]	9-7/8 [251]	18 [8]
200		7 [26]	0.29 [0.08]	11-1/8 [283]	8-1/8 [206]	11-7/8 [302]	23 [10]
300	3 [76]	10 [38]	0.33 [0.09]	11-3/4 [298]	8-1/4 [210]	14 [356]	27 [12]
400		15 [57]	0.38 [0.11]	13-3/8 [340]	9-3/8 [238]	16-3/4 [425]	33 [15]
500		20 [76]	0.66 [0.19]	15 [381]	11-3/4 [298]	17-1/4 [438]	37 [17]
600	4 [102]	25 [95]	0.79 [0.22]	17 [432]	12-7/16 [316]	19-7/8 [506]	45 [20]
700		35 [132]	1.17 [0.33]	18-3/4 [476]	14-3/16 [360]		53 [24]
800		50 [189]	1.35 [0.38]	21-1/2 [546]	16 [406]	22-1/2 [572]	59 [27]
900		75 [284]	1.61 [0.46]	22-3/4 [578]	18-1/2 [470]		63 [29]

*Regularly furnished unless otherwise specified.

Items designated as Best Sellers are most specified and are generally in stock for shipment.

For additional product information, please visit www.zurn.com

Z1183-DF SOLIDS INTERCEPTOR WITH DISPOSABLE FILTER BAGS

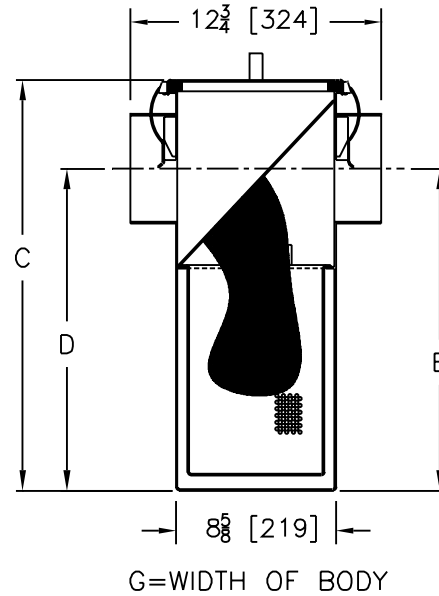


ENGINEERING SPECIFICATION

Zurn Z1183-DF solids interceptor features acid resistant coated fabricated steel or stainless steel. Ideal for on floor or semi-recessed installation with replaceable filter bags, retainer plate, latched lid, and removable sediment basket. Size to be used with corresponding Z1170 grease interceptor.

CAUTION

Interceptors must be maintained periodically in order to ensure proper operation of the system. Follow cleaning schedule based on usage.



PREFIXES	DESCRIPTION	SIZE	LIST PRICE
Z1183-DF*	Acid Resistant Coated Fabricated Steel	100	5,641.00
		200	5,786.00
		300	6,076.00
		400	6,683.00
		500	7,232.00
		600	8,019.00
		700	8,679.00
		800	9,486.00
		900	10,469.00
		ZS1183-DF	All Type 304 Fabricated Stainless Steel
200	9,312.00		
300	10,032.00		
400	11,314.00		
500	12,292.00		
600	14,313.00		
700	16,036.00		
800	18,064.00		
900	20,226.00		
SUFFIXES	DESCRIPTION		
-XB	Extra Solids Interceptor Basket		POA
-XF	Extra Supply of 30 Solids Filter Bags		1,726.00

Size	Inlet/Outlet inch [mm]	Flow Rate gpm [LPM]	Solid Capacity cu ft [cm ³]	Dimensions in inches [mm]		
				C	D/E	G
100	2 [51]	4 [15]	0.20 [.006]	10 [254]	7-1/4 [184]	9-7/8 [251]
200		7 [26]	0.29 [.008]	11-1/8 [283]	8-1/8 [206]	11-7/8 [302]
300	3 [76]	10 [38]	0.33 [.009]	11-3/4 [298]	8-1/4 [210]	14 [356]
400		15 [57]	0.38 [.011]	13-3/8 [340]	9-3/8 [238]	16-3/4 [425]
500		20 [76]	0.66 [.019]	15 [381]	11-3/4 [298]	17-1/4 [438]
600	4 [102]	25 [95]	0.79 [.022]	17 [432]	12-7/16 [316]	19-7/8 [505]
700		35 [132]	1.17 [.033]	18-3/4 [476]	14-3/16 [360]	22-1/2 [572]
800		50 [189]	1.35 [.038]	21-1/2 [546]	16 [406]	
900		75 [284]	1.61 [.046]	22-3/4 [578]	18-1/2 [470]	

Z1183-FC SOLIDS INTERCEPTOR WITH FLUSH COVER

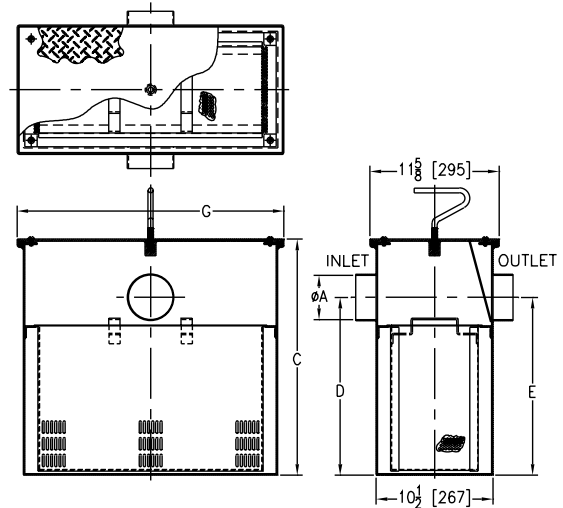
ENGINEERING SPECIFICATION

Zurn Z1183-FC solids interceptor features large capacity, acid resistant coated interior and exterior fabricated steel or stainless steel solids. Ideal for recessed installation with screen attached to gasketed, non-skid secured cover with removable lift handle and removable sediment basket. Size to be used with corresponding Z1170, Z1172, or Z1173 grease interceptors.

CAUTION

Interceptors must be maintained periodically in order to ensure proper operation of the system. Follow cleaning schedule based on usage.

PREFIXES	DESCRIPTION	SIZE	LIST PRICE
Z1183-FC*	Acid Resistant Coated Fabricated Steel	100	7,621.00
		200	8,234.00
		300	8,672.00
		400	9,301.00
		500	10,534.00
		600	11,876.00
		700	13,033.00
		800	13,988.00
		900	14,733.00
		1000	19,425.00
		1100	24,267.00
		1200	28,917.00
ZS1183-FC	Type 304 Fabricated Stainless Steel	100	11,324.00
		200	12,243.00
		300	12,385.00
		400	13,289.00
		500	15,070.00
		600	17,733.00
		700	18,647.00
		800	20,016.00
		900	21,091.00
		1000	29,066.00
		1100	36,385.00
		1200	41,613.00
SUFFIXES	DESCRIPTION	ADD	
-CS	Custom Screens (Specify material and perforation size required.)	POA	
-E	Acid Resistant Coated Interior and Exterior Fabricated Steel Extension Section	POA	
-YR	Replacement Stainless Steel Bucket Assembly	POA	



Size	Inlet/Outlet inch [mm]	Flow Rate gpm [LPM]	Solid Capacity cu ft [cm ³]	Dimensions in inches [mm]		
				C	D/E	G
100	2 [51]	4 [15]	0.20 [.006]	10 [254]	7-1/4 [184]	11-3/4 [298]
200		7 [26]	0.29 [.008]	11-1/8 [283]	8-1/8 [206]	13-3/4 [349]
300		10 [38]	0.33 [.009]	11-3/4 [298]	8-1/4 [210]	15-7/8 [403]
400	3 [76]	15 [57]	0.38 [.011]	13-3/8 [340]	9-3/8 [238]	18-5/8 [473]
500		20 [76]	0.66 [.019]	15 [381]	11-3/4 [298]	19-1/8 [486]
600		25 [95]	0.79 [.022]	17 [432]	12-7/16 [316]	21-3/4 [552]
700		35 [132]	1.17 [.033]	18-3/4 [476]	14-3/16 [360]	24-3/8 [619]
800		50 [189]	1.35 [.038]	21-1/8 [537]	16 [406]	
900		75 [284]	1.61 [.046]	22-3/4 [578]	18-1/2 [470]	
1000		100 [379]	1.80 [.051]	27 [686]	23 [584]	
1100		125 [473]	1.95 [.055]	30-1/8 [765]	24-1/2 [622]	
1200		150 [568]	2.11 [.060]	30-3/4 [781]	25-1/2 [648]	

*Regularly furnished unless otherwise specified.

Items designated as Best Sellers are most specified and are generally in stock for shipment.

For additional product information, please visit www.zurn.com

Z1184 BOTTOM ACCESS SOLIDS INTERCEPTOR



ENGINEERING SPECIFICATION

Zurn Z1184 bottom access solids interceptor features acid resistant composite. Works in lieu of fixture "P" trap for suspended installation. Includes removable PVC sediment bucket with a removable 3/32" diameter perforated flow defusing/intercepting PVC screen, designed to intercept all types of solids and precious metals. Bottom access gasketed, secured cover comes complete with stainless steel draw latches and hardware with an ABS combination handle and drain port plug for easy removal of sediment bucket and screen.

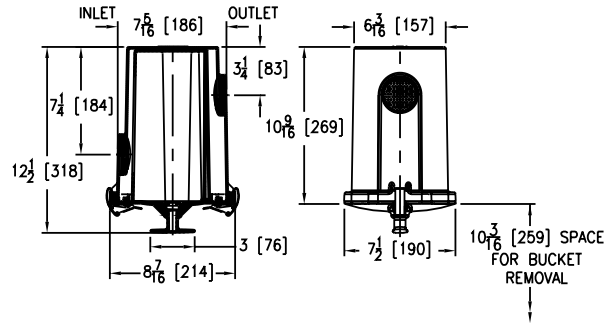
NOTES

*Regularly furnished with 2" threaded low inlet and high outlet.

CAUTION

Interceptors must be maintained periodically in order to ensure proper operation of the system. Follow cleaning schedule based on usage.

Inlet/Outlet inch [mm]	Flow Rate gpm [LPM]	Approximate Weight lb [kg]
1-1/2 [38], 2 [51]*	15 [57]	6 [3]



PREFIXES	DESCRIPTION	LIST PRICE
Z1184*	Standard Assembly (See Engineering Specification)	1,953.00
ZA1184	Acid Resistant Coated Fabricated Steel (Design different than what is shown.)	3,220.00

SUFFIXES	DESCRIPTION	ADD
-CS	Chrome Plated Finish Interior and Exterior (ZAB Only)	POA
-RS	Replacement 3/32" Diameter Perforated Screen for Bucket	390.00
-SS	Stainless Steel 3/32" Diameter Perforated Screen for Bucket	580.00
-Y	Replacement Bucket Assembly with 3/32" Diameter Perforated Screen	749.00

BEST SELLERS	LIST PRICE
Z1184-1-1/2IP	1,953.00
Z1184-2IP	1,953.00

Z1185 LINT INTERCEPTOR



ENGINEERING SPECIFICATION

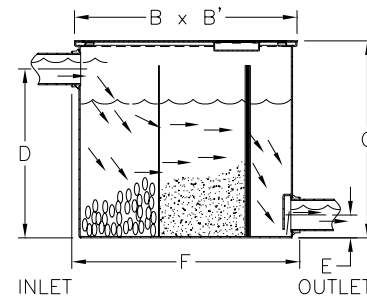
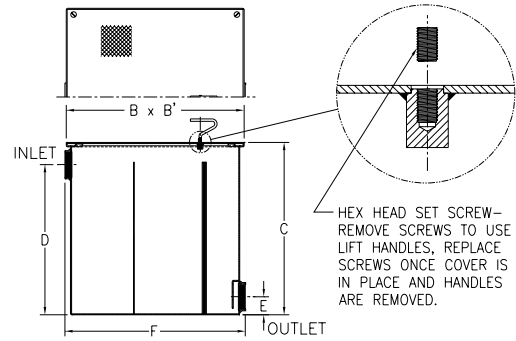
Zurn Z1185 lint interceptor features acid resistant coated interior and fabricated steel exterior, non-skid secured cover with removable lift handle, lint intercepting secondary screen assembly with 3/32" square openings, and permanent primary straining baffle with 3/8" diameter perforated holes. Regularly furnished with high inlet and low outlet.

NOTES

Size #3 and #7 covers are not furnished with a lift handle.

CAUTION

Interceptors must be maintained periodically in order to ensure proper operation of the system. Follow cleaning schedule based on usage.



PREFIXES	DESCRIPTION	SIZE	LIST PRICE
Z1185*	Acid Resistant Coated Fabricated Steel	3	14,334.00
		7	16,682.00
		10	19,628.00
		20	23,757.00
		30	27,621.00
		40	31,488.00
ZS1185	All Type 304 Fabricated Stainless Steel	3	POA
		7	POA
		10	POA
		20	POA
		30	POA
		40	POA
		50	POA

SUFFIXES	DESCRIPTION	SIZE	EA. ADDITIONAL 1" OVER 6"	ADD UP TO 6"
-E	Acid Resistant Coated Interior and Exterior Fabricated Steel Extension Section (Specify 'C' dimension required for recessed installation.)	3	174.00	2,455.00
		7	174.00	2,455.00
		10	248.00	3,425.00
		20	297.00	3,425.00
		30	345.00	3,425.00
		40	393.00	3,425.00
-RS	Replacement Screen Assembly	50	534.00	4,150.00

BEST SELLERS	LIST PRICE
Z1185-3-2IP	14,334.00
Z1185-3-3IP	14,334.00
Z1185-7-3IP	16,682.00
Z1185-10-4IP	19,628.00
ZS1185-30-6IP	POA

Size No. of Machines	Inlet/Outlet inch [mm]	Flow Rate gpm [LPM]	Approximate Weight lb [kg]	Dimensions in inches [mm]				
				B	C	D	E	F
3	2 [51]	30 [114]	93 [42]	17 [432]	16-1/2 [419]	13-1/2 [343]	3-1/4 [83]	17-1/4 [438]
7	3 [76]	70 [265]	155 [70]	25 [635]	20 [508]	15-3/4 [400]		25-1/2 [648]
10	4 [102]	100 [379]	271 [123]	33 [838]	28 [711]	25 [635]	4 [102]	34 [864]
20		200 [757]	404 [183]	40 [1016]	35 [889]	32 [813]		41 [1041]
30	6 [152]	300 [1136]	654 [267]	45 [1143]	40 [1016]	36 [914]	5 [127]	46 [1168]
40		400 [1514]	723 [328]	48 [1219]	43 [1092]	39 [991]		49 [1245]
50		500 [1893]	911 [413]	52 [1321]	47 [1194]	43 [1092]		53 [1346]

*Regularly furnished unless otherwise specified.

Items designated as Best Sellers are most specified and are generally in stock for shipment.

For additional product information, please visit www.zurn.com

INTRO
 ROOF DRAINS
 FLOOR DRAINS
 I, P, BW VALVES
 INTERCEPTORS
 CARRIERS
 HYDRANTS
 CLEANOUTS
 WHA
 SS DRAINS
 SANI-FLOOR
 TECH INFO

OIL INTERCEPTORS – GENERAL PRODUCT INFORMATION

Zurn oil interceptors are designed to be similar to the grease interceptors. Both work on the principle that oils are lighter than water and thus gravity causes the oil to rise and the solids to fall. Zurn oil interceptors come equipped with a removable sediment bucket on the inlet to trap stones, grit and other substances. Their perforated, flow-diffusing baffle eliminates turbulence and allows for high efficiency of separation.

All Zurn Z1186 and Z1188 oil interceptors are supplied with a specific gravity oil draw-off tube assembly. This assembly is to be set 1/8 above the static water level, per standard installation instructions. Once oil builds down to this level, the oil draws off by gravity through the tube assembly.

All Zurn oil interceptors are of 100% steel construction coated with a blue acid resisting epoxy. All Zurn oil interceptors are listed by the IAPMO. If you require an oil interceptor not listed phone 855-ONE-ZURN, or contact your local Zurn sales representative.

OIL INTERCEPTORS – APPLICATION INDEX

Product selection should be made with a specific application and the type of construction in mind. The varied types and sizes of Zurn interceptors, along with their options, offer a selection for all applications.

APPLICATION

RECOMMENDED INTERCEPTOR

Maintenance, Parking Garage, Oil Spill Areas	Z1186, Z1186-ST, Z1187, Z1187-SI, Z1188, Z1188-ST, Z1189, Z1196, Z1198, Z1198-ST
Municipal Water Systems, Wells	Z1187
Electronic Oil Level Sensors	Z1194, Z1196, Z1198, Z1198-ST

Z1186 OIL INTERCEPTOR



ENGINEERING SPECIFICATION

Zurn Z1186 oil interceptor features acid resistant coated interior and fabricated steel exterior, bronze cleanout plug and visible double wall trap seal, removable combination pressure equalizing/flow-diffusing baffle and sediment bucket, horizontal baffle, adjustable oil draw-off, and vent connections (either side). Gasketed, non-skid, secured cover comes complete with flow control fitting. Regularly furnished with inlet and outlet in high position.

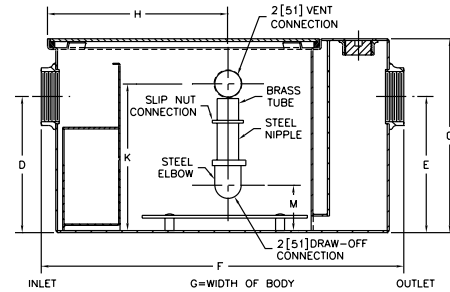
NOTES

Location of outlet from bottom of interceptor cannot be changed.

*Inlet and outlet sizes shown indicate standard operating sizes and flow control settings. Size #300 and #400 will have 3" connections reduced to 2" as standard. Size #700 and #800 will have 4" connections reduced to 3" as standard.

CAUTION

Interceptors must be maintained periodically in order to ensure proper operation of the system. Follow cleaning schedule based on usage.



PREFIXES	DESCRIPTION	SIZE	LIST PRICE
Z1186*	Acid Resistant Coated Fabricated Steel	300	7,270.00
		400	9,972.00
		500	12,053.00
		600	13,091.00
		700	15,913.00
		800	21,402.00

SUFFIXES	DESCRIPTION	ADD		
		EA. ADDITIONAL 1" OVER 6"	UP TO 6"	
-E	Acid Resistant Coated Interior and Exterior Fabricated Steel Extension Section. (Specify 'C' dimension required for recessed installation.)	300	301.00	6,802.00
		400	338.00	6,892.00
		500	381.00	7,086.00
		600	434.00	7,294.00
		700	475.00	7,568.00
		800	549.00	9,032.00
-HD	Heavy duty traffic cover rated at 10,000 lbs. maximum safe live load. A 3" minimum extension height is required when Heavy Duty Cover (-HD) option is specified. (Specify 'C' dimension height required.)	300		7,727.00
		400		8,306.00
		500		8,795.00
		600		9,288.00
		700		10,265.00
		800		10,750.00
-K	Anchor flange 1-3/4" down from top and 2" wide. A 3" minimum extension height is required when anchor flange (-K) option is specified. (Specify 'C' dimension height required.) Price for -E plus -K.	300		1,856.00
		400		1,856.00
		500		2,003.00
		600		2,084.00
		700		2,191.00
		800		2,232.00
-KC	Anchor flange 1-3/4" down from top and 2" wide with clamp collar. A 3" minimum extension height is required when anchor flange (-KC) option is specified.	300		2,232.00
		400		2,232.00
		500		2,232.00
		600		2,489.00
		700		2,583.00
		800		2,939.00
-PW	Plug Wrench			110.00
BEST SELLERS		LIST PRICE		
Z1186-300-2NH		7,270.00		
Z1186-500-3IP		12,053.00		
Z1186-600-3IP		13,091.00		
Z1186-800-3IP		21,402.00		

Size	Inlet/Outlet [†] inch [mm]	Flow Rate gpm [LPM]	Water Capacity gallon [L]	Approximate Weight lb [kg]	Dimensions in inches [mm]						
					C	D/E	F	G	H	K	M
300	2 [51]	10 [38]	7 [26]	56 [25]	13-5/8 [346]	8-1/8 [206]	25-1/8 [638]	14 [356]	11-5/8 [295]	11 [279]	2-3/4 [70]
400		15 [57]	9 [34]	77 [35]	14 [356]	8-1/4 [210]	25-1/4 [641]	14-1/8 [359]			
500	3 [76]	20 [76]	10 [38]	106 [48]	15-1/2 [394]	9-3/8 [238]	27-1/8 [689]	16-3/4 [425]	13-1/4 [337]	12-1/2 [318]	2-1/2 [64]
600		25 [95]	16 [61]	116 [53]	18-1/4 [464]	11-3/4 [298]	30 [762]	17-1/4 [438]	16 [406]	15-1/4 [387]	4 [102]
700		35 [132]	21 [79]	140 [64]	19-3/4 [502]	12-1/2 [318]	32-1/4 [819]	19-7/8 [505]	16-3/8 [416]	16-3/4 [425]	4-11/16 [119]
800		50 [189]	30 [114]	171 [78]	24-1/4 [616]	14-1/4 [362]	34-1/8 [867]	22-1/2 [572]	17-1/4 [438]	21-1/4 [540]	6-7/16 [164]

*Regularly furnished unless otherwise specified.

Items designated as Best Sellers are most specified and are generally in stock for shipment.

For additional product information, please visit www.zurn.com

Z1186-ST OIL INTERCEPTOR WITH INTEGRAL STORAGE TANK



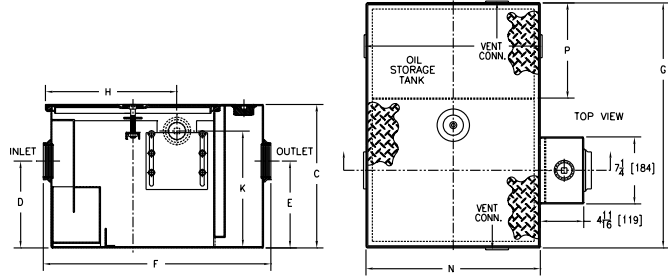
ENGINEERING SPECIFICATION

Zurn Z1186-ST oil interceptor features acid resistant coated interior and fabricated steel exterior, bronze cleanout plug and visible double wall trap seal, removable combination pressure equalizing/flow-diffusing baffle and sediment bucket, oil draw-off, and vent connections. Secured, gasketed, non-skid cover comes complete with flow control fitting and left-hand integral storage tank. Regularly furnished with inlet and outlet in high position.

NOTES

Location of outlet from bottom of interceptor cannot be changed. Regularly furnished with left-hand side storage tank.

*Inlet and outlet sizes shown indicate standard operating sizes and flow control settings. Size #300 and #400 will have 3" connections reduced to 2" as standard. Size #700 and #800 will have 4" connections reduced to 3" as standard.



PREFIXES	DESCRIPTION	SIZE	LIST PRICE
Z1186-ST*	Acid Resistant Coated Fabricated Steel	300	10,897.00
		400	14,950.00
		500	18,076.00
		600	19,627.00
		700	23,847.00
		800	32,095.00

SUFFIXES	DESCRIPTION	SIZE	ADD	
			EA. ADDITIONAL 1" OVER 6"	UP TO 6"
-E	Acid Resistant Coated interior and exterior fabricated steel section. (Specify 'C' dimension required for recessed installation.)	300	429.00	10,210.00
		400	519.00	10,337.00
		500	591.00	10,645.00
		600	642.00	10,931.00
		700	699.00	11,339.00
		800	823.00	13,544.00
		SIZE	ADD	
-HD	Heavy duty traffic cover rated at 10,000 lbs. maximum safe live load. A 3" [76] minimum extension height is required when anchor flange (-K) option is specified. (Specify 'C' Dim. height required.)	300		12,316.00
		400		13,082.00
		500		13,853.00
		600		14,614.00
		700		15,391.00
		800		16,178.00
-K	Anchor flange 1-3/4" down from top and 2" wide. A 3" minimum extension height is required when anchor flange (-K) option is specified. (Specify 'C' dimension height required.)	300		2,775.00
		400		2,775.00
		500		3,005.00
		600		3,137.00
		700		3,261.00
		800		3,335.00
-KC	Anchor flange 1-3/4" down from top and 2" wide with clamp collar. Same dimensional requirements as -K. Price for -E plus -KC.	300		3,335.00
		400		3,335.00
		500		3,335.00
		600		3,717.00
		700		3,850.00
		800		4,401.00
-PW	Plug Wrench			110.00
-STR	Storage tank on right-hand side when facing the inlet.			N/C
BEST SELLERS		LIST PRICE		
Z1186-ST-500-3IP		18,076.00		
Z1186-ST-500-4IP		18,076.00		
Z1186-ST-800-4IP		32,095.00		

Size	Inlet/Outlet [†] inch [mm]	Flow Rate gpm [LPM]	Water Capacity gallon [L]	Approximate Weight lb [kg]	Dimensions in inches [mm]						
					C	D/E	F	G	H	K	N
300	2 [51]	10 [38]	7 [26]	95 [43]	13-7/8 [352]	8-1/8 [206]	23-1/16 [586]	23-9/16 [598]	12-1/16 [306]	11 [279]	16-7/8 [429]
400		15 [57]	9 [34]	95 [43]	14 [356]	8-1/4 [210]					
500	3 [76]	20 [76]	10 [38]	115 [52]	15-1/2 [394]	9-3/8 [238]	25-1/16 [637]	26-1/2 [673]	14-3/16 [360]	12-1/2 [318]	18-7/8 [479]
600		25 [95]	16 [61]	280 [127]	18-1/4 [464]	11-3/4 [298]	35-7/32 [895]	50-7/8 [1292]	19-1/4 [489]	15-1/4 [387]	29 [737]
700		35 [132]	21 [79]	320 [145]	19-3/4 [502]	12-7/16 [316]	43-7/16 [1103]	45 [1143]	23-1/4 [591]	16-3/4 [425]	37 [940]
800		50 [189]	30 [114]	529 [240]	24-1/4 [616]	14-3/16 [360]	49-7/16 [1256]	70-1/8 [1781]	26-1/4 [667]	21-1/4 [540]	43 [1092]

Z1187 SAND AND SEDIMENT INTERCEPTOR



ENGINEERING SPECIFICATION

Zurn Z1187 sand and sediment interceptor features acid resistant coated interior and fabricated steel exterior, _____ cu ft capacity below invert of outlet, 4" threaded inlet and outlet, and four 2" threaded individual vent connections complete with heavy-duty, scoriated, non-skid, removable covers.

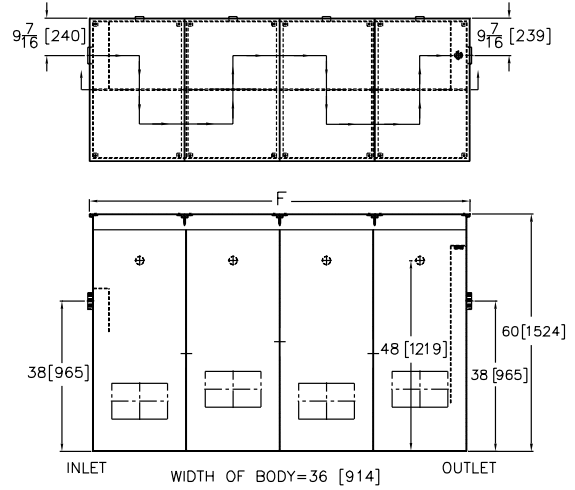
PREFIXES	DESCRIPTION	SIZE	LIST PRICE
Z1187*	Acid Resistant Coated Fabricated Steel	300	54,606.00
		400	80,542.00
		500	POA
		600	POA
		700	POA
		800	POA
		1000	POA

SUFFIXES	DESCRIPTION	ADD	
-E	Integral extension assembly for recessed installation. (Specify overall height required.)	EA. ADDITIONAL 1" OVER 6" UP TO 6"	
		300	261.00 1,670.00
		400	345.00 2,052.00
		500	475.00 2,955.00
		600	559.00 3,596.00
		700	600.00 4,101.00
		800	690.00 4,951.00
1000	818.00 5,468.00		

	DESCRIPTION	ADD	
-HD	Heavy-duty cover rated at 10,000 lbs. maximum safe live load.	300	2,146.00
		400	2,691.00
		500	3,936.00
		600	4,487.00
		700	4,877.00
		800	5,378.00
1000	6,745.00		

-K	Anchor flange 1-3/4" down from top and 2" wide. No extension required to accommodate -K option.	300	2,393.00
		400	2,738.00
		500	5,468.00
		600	6,149.00
		700	6,832.00
		800	8,200.00
1000	10,245.00		

BEST SELLERS	LIST PRICE
Z1187-300-4IP	54,606.00
Z1187-400-4IP-K	83,280.00



Size	cu ft [cm3]	Approximate Weight lb [kg]	F-Dim.
300	43 [1.2]	1600 [726]	60 [1524]
400	54 [1.5]	1750 [794]	72 [1829]
500	72 [2.0]	2100 [953]	96 [2438]
600	81 [2.3]	2500 [1134]	108 [2743]
700	90 [2.5]	2700 [1225]	120 [3048]
800	108 [3.0]	3000 [1361]	144 [3658]
1000	135 [3.8]	3640 [1651]	180 [4572]

*Regularly furnished unless otherwise specified.

Items designated as Best Sellers are most specified and are generally in stock for shipment.

For additional product information, please visit www.zurn.com

Z1187-SI SAND INTERCEPTOR

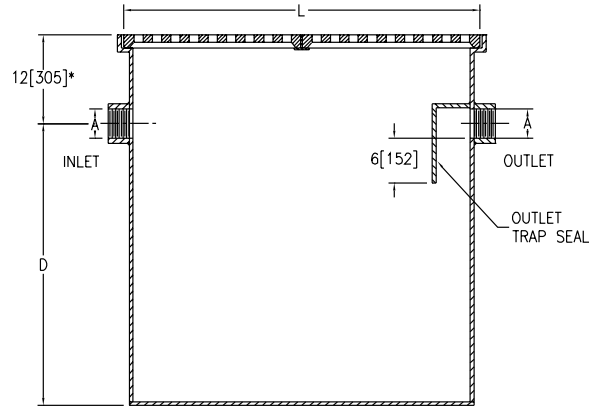


ENGINEERING SPECIFICATION

Zurn Z1187-SI sand interceptor features acid resistant coated interior and fabricated steel exterior with threaded inlet and outlet complete with removable, heavy-duty grates.

NOTES

1. Location of outlet from bottom of interceptor cannot be changed.
2. Standard grating is for heavy-duty applications. The -SC option is for a heavy-duty cover.



*12[305] REGULARLY FURNISHED—
SPECIFY DIMENSION IF HIGHER
OR LOWER IS REQUIRED

PREFIXES	DESCRIPTION	SIZE	LIST PRICE
Z1187-SI*	Acid Resistant Coated Fabricated Steel	20	17,931.00
		50	30,395.00
		150	91,872.00
		250	95,608.00
		500	POA

SUFFIXES	DESCRIPTION	SIZE	EA. ADDITIONAL 1" OVER 6"	UP TO 6"	ADD
-E	Integral extension assembly. (Specify extension height.)	20	194.00	1,089.00	
		50	241.00	1,693.00	
		150	447.00	2,975.00	
		250	573.00	4,542.00	
		500	772.00	7,714.00	

		SIZE	ADD
-DG	Duresist grate		POA
-K	Anchor flange 1-3/4" down from top and 2" wide.		POA
-KC	Anchor flange 1-3/4" down from top and 2" wide with clamp collar.		POA
-NH	No-hub inlet and outlet (see Z1040)		N/C
-SC	Heavy-duty reinforced Solid cover(s) rated at 10,000 lbs. maximum safe live load.	20	3,425.00
		50	6,840.00
		150	13,684.00
		250	20,551.00
		500	34,263.00
-VP	Vandal-proof screws		217.00

BEST SELLERS	LIST PRICE
Z1187-SI-20-4IP	17,931.00
Z1187-SI-20-4IP-SC	21,356.00
Z1187-SI-50-4IP	30,395.00

Size	Flow gpm [LPM] (Max.)	A Pipe Size inch [mm]	L inch [mm]	D inch [mm]	Capacity Gal. [L] (Static)	No. of 12" x 24" Grates	Width inch [mm]	Approximate Weight lb [kg]
20	20 [76]	4 [102]	24 [610]	26 [660]	60 [227]	2	24 [610]	133 [60]
50	50 [189]		48 [1219]		120 [454]	4		204 [93]
150	150 [568]	6 [152]	72 [1829]	39 [991]	360 [1363]	8	48 [1219]	368 [167]
250	250 [946]				540 [2044]	12		1294 [587]
500	500 [1893]				1200 [4542]	20		2204 [1000]

Z1188 LARGE CAPACITY OIL INTERCEPTOR

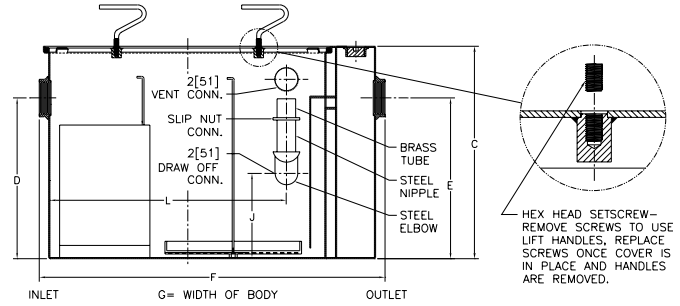


ENGINEERING SPECIFICATION

Zurn Z1188 oil interceptor features large capacity, acid resistant coated interior and fabricated steel exterior, bronze cleanout plug and visible double wall trap seal, removable combination pressure equalizing/flow-diffusing baffle and sediment bucket, horizontal baffle, adjustable oil draw-off, and vent connections (either side). Complete with secured, gasketed, non-skid cover with removable lift handles and flow control fitting. Regularly furnished with inlet and outlet in high position.

CAUTION

Interceptors must be maintained periodically in order to ensure proper operation of the system. Follow cleaning schedule based on usage.



PREFIXES	DESCRIPTION	SIZE	LIST PRICE
Z1188*	Acid Resistant Coated Fabricated Steel	75	37,067.00
		100	40,192.00
		125	46,888.00
		150	49,773.00
		200	70,312.00
		250	81,422.00
		300	92,195.00
		350	102,902.00
		400	POA
450	POA		
500	POA		

SUFFIXES	DESCRIPTION	ADD	EA. ADDITIONAL	
			SIZE	1" OVER 10" UP TO 10"
-E	Acid Resistant Coated interior and exterior fabricated steel extension section. (Specify 'C' dimension required for recessed installation.)	75	338.00	5,087.00
		100	362.00	5,306.00
		125	390.00	5,518.00
		150	413.00	5,732.00
		200	434.00	8,200.00
		250	475.00	10,658.00
		300	534.00	12,954.00
		350	598.00	15,347.00
		400	657.00	17,900.00
		450	690.00	20,891.00
500	711.00	23,895.00		

BEST SELLERS	LIST PRICE
Z1188-100-4IP	40,192.00
Z1188-125-3IP	46,888.00
Z1188-150-4IP	49,773.00
Z1188-200-4IP	70,312.00
Z1188-500-6IP	POA

Flow Rate gpm [LPM]	Inlet/Outlet inch [mm]	Water Capacity gallon [L]	Approximate Weight lb [kg]	No. of Covers	Dimensions in inches [mm]					
					C	D/E	F	G	J	L
75 [284]	3 [76]	65 [246]	332 [151]	1	22-3/4 [578]	18-1/2 [470]	36 [914]	28-5/8 [727]	6-7/8 [175]	25-3/4 [654]
100 [379]		110 [416]	432 [196]		27 [686]	23 [584]	42-3/4 [1086]	33-5/8 [854]	11-3/8 [289]	30-1/8 [765]
125 [473]		150 [568]	780 [354]		30-1/8 [765]	24-1/2 [622]	49-1/4 [1251]	40 [1016]	12-7/8 [327]	36-5/8 [930]
150 [568]	4 [102]	190 [719]	888 [403]	2	30-3/4 [781]	25-1/4 [641]	56 [1422]	41-3/8 [1051]	13-1/8 [333]	43-7/8 [1114]
200 [757]		265 [1003]	1055 [479]		35-1/2 [902]	29-7/8 [759]	61 [1549]	43-5/8 [1108]	17-3/4 [451]	46-5/8 [1184]
250 [946]	5 [127]	460 [1741]	1438 [652]	2	41 [1041]	36 [914]	71 [1803]	51-5/8 [1311]	23-3/8 [594]	56-5/8 [1438]
300 [1136]		660 [2498]	1840 [835]		46-1/4 [1175]	39-5/8 [1006]	80 [2032]	58-3/8 [1483]	27 [686]	65-5/8 [1667]
350 [1325]	6 [152]	860 [3255]	2180 [989]	3	50-1/2 [1283]	43-7/8 [1114]	87 [2210]	63-5/8 [1616]	30-3/4 [781]	74-1/8 [1883]
400 [1514]		1090 [4126]	2536 [1150]		54-1/4 [1378]	47-5/8 [1210]	94 [2388]	67 [1702]	34-1/2 [876]	79-1/8 [2010]
450 [1703]		1275 [4826]	2816 [1277]		55-1/4 [1403]	48-5/8 [1235]	100 [2540]	72 [1829]	35-1/2 [902]	85-3/8 [2169]
500 [1893]		1435 [5432]	2970 [1347]		57-1/4 [1454]	51-5/8 [1311]	104 [2642]	74 [1880]	38-1/2 [978]	88-3/8 [2245]

SUFFIXES	DESCRIPTION	SIZE	ADD
-HD	Heavy-duty traffic cover rated at 10,000 lbs. maximum safe live load. An increased 'C' dimension is required when Heavy Duty Cover (-HD) option is specified. (See -HD Specification Sheet.)	75	11,351.00
		100	15,618.00
		125	17,138.00
		150	20,054.00
		200	22,873.00
		250	31,568.00
		300	40,525.00
		350	47,787.00
		400	55,032.00
-K	Anchor flange 1-3/4" down from top and 2" wide. A 3" minimum extension height is required when -K option is specified.	75	2,431.00
		100	2,720.00
		125	3,260.00
		150	3,796.00
		200	4,067.00
		250	5,434.00
		300	6,144.00
		350	6,844.00
		400	7,271.00
		450	7,701.00
-KC	Anchor flange 1-3/4" down from top and 2" wide with clamp collar. A 3" minimum extension height is required when -KC option is specified.	75	4,403.00
		100	4,928.00
		125	5,518.00
		150	6,104.00
		200	7,134.00
		250	9,253.00
		300	10,380.00
		350	11,500.00
		400	12,221.00
		450	12,952.00
-PW	Plug Wrench	500	13,684.00
			110.00

*Regularly furnished unless otherwise specified.

For additional product information, please visit www.zurn.com

Items designated as Best Sellers are most specified and are generally in stock for shipment.

INTRO
 ROOF DRAINS
 FLOOR DRAINS
 I, P, BW VALVES
 INTERCEPTORS
 CARRIERS
 HYDRANTS
 CLEANOUTS
 WHA
 SS DRAINS
 SANI-FLOOR
 TECH INFO

Z1188-ST LARGE CAPACITY OIL INTERCEPTOR WITH INTEGRAL STORAGE TANK



ENGINEERING SPECIFICATION

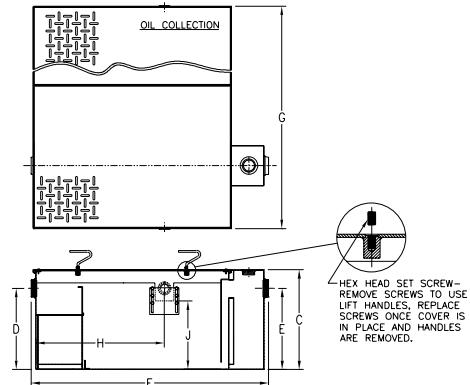
Zurn Z1188-ST oil interceptor features acid resistant coated interior and fabricated steel exterior, bronze cleanout plug and visible double wall trap seal, removable combination pressure equalizing/flow-diffusing baffle and sediment bucket, horizontal baffle, adjustable oil draw-off, and vent connections. Secured, gasketed, non-skid cover comes complete with flow control fitting and left-hand integral storage tank. Regularly furnished with inlet and outlet in high position.

NOTES

Location of outlet from bottom of interceptor cannot be changed.

CAUTION

Interceptors must be maintained periodically in order to ensure proper operation of the system. Follow cleaning schedule based on usage.



PREFIXES	DESCRIPTION	SIZE	LIST PRICE
Z1188-ST*	Acid Resistant Coated Fabricated Steel	75	55,600.00
		100	60,317.00
		125	70,278.00
		150	74,639.00
		200	105,434.00
		250	122,136.00
		300	138,296.00
		350	POA
		400	POA

SUFFIXES	DESCRIPTION	ADD	
		EA. ADDITIONAL 1" OVER 6"	UP TO 6"
-E	Integral Acid Resistant Coated interior and exterior fabricated steel extension section. (Specify 'C' dimension required for recessed installation.)	75	519.00 7,629.00
		100	544.00 7,955.00
		125	591.00 8,288.00
		150	620.00 8,604.00
		200	642.00 12,316.00
		250	719.00 15,980.00
		300	823.00 19,446.00
		350	908.00 23,013.00
		400	983.00 26,854.00
450	1,033.00 31,319.00		
500	1,081.00 35,857.00		

BEST SELLERS		LIST PRICE
Z1188-ST-100-3IP		60,317.00
Z1188-ST-200-4IP		105,434.00
Z1188-ST-250-5IP		122,136.00
Z1188-ST-350-6NH		POA

Flow Rate gpm [LPM]	Inlet/ Outlet inch [mm]	Water Capacity gallon [L]	Oil Capacity gallon [L]	Approximate Weight lb [kg]	No. of Covers		Dimensions in inches [mm]					
					Trap	Tank	C	D/E	F	G	H	J
75 [284]		88 [333]	125 [473]	615 [279]	1	1	22-3/4 [578]	18-1/2 [470]	51-3/8 [1305]	65-3/8 [1661]	29-1/4 [743]	15-1/2 [394]
100 [379]	3 [76]	159 [602]		800 [363]			27 [686]	23 [584]	60-3/8 [1534]	82-3/8 [2092]	35-1/4 [895]	19-3/4 [502]
125 [473]		208 [787]	250 [946]	1450 [658]			30-1/8 [765]	24-1/2 [622]	64-1/4 [1632]	84-5/8 [2149]	36 [914]	21 [533]
150 [568]	4 [102]	235 [890]		1640 [744]			30-3/4 [781]	25-1/4 [641]	68-1/4 [1734]	82-3/4 [2102]	38-11/16 [983]	21-5/8 [549]
200 [757]		333 [1261]		1950 [885]			35-1/2 [902]	29-7/8 [759]	71-3/8 [1813]	92-3/4 [2356]	43-1/2 [1105]	26-3/8 [670]
250 [946]	5 [127]	445 [1685]	400 [1514]	2650 [1202]			41 [1041]	36 [914]	75-1/2 [1918]	95-5/8 [2429]	40-3/4 [1035]	32-1/2 [826]
300 [1136]		664 [2514]		3400 [1542]	2	2	46-1/4 [1175]	39-5/8 [1006]	82-3/8 [2092]	92-3/8 [2346]	48-1/16 [1221]	37-3/4 [959]
350 [1325]	6 [152]	1006 [3808]		4000 [1814]			50-1/2 [1283]	43-7/8 [1114]	103-1/8 [2619]	104-3/4 [2661]	61-15/16 [1573]	40-3/8 [1026]
400 [1514]		1266 [3808]	700 [2650]	4700 [2132]			54-1/4 [1378]	47-5/8 [1210]	110-1/8 [2797]	102-5/8 [2607]	66-9/16 [1691]	44-1/8 [1121]
450 [1703]		1575 [5962]		5200 [2359]			55-1/4 [1403]	48-5/8 [1235]	123-1/8 [3127]	102-7/8 [2613]	75-1/4 [1911]	44-5/8 [1133]
500 [1893]		1695 [6416]		5500 [2495]			57-1/4 [1454]	51-5/8 [1311]	124-1/8 [3153]	103-5/8 [2632]	73-15/16 [1878]	48-1/8 [1222]

SUFFIXES	DESCRIPTION	SIZE	ADD
-HD	Heavy-duty traffic cover rated at 10,000 lbs. maximum safe live load. An increased 'C' dimension is required when -HD option is specified. (See -HD Specification Sheet.)	75	17,005.00
		100	23,444.00
		125	25,699.00
		150	30,087.00
		200	34,322.00
		250	47,327.00
		300	60,786.00
		350	71,694.00
		400	82,537.00
-K	Anchor flange 1-3/4" down from top and 2" wide. A 3" minimum extension height is required when anchor flange (-K) option is specified. (Specify 'C' dimension height required and price for -E plus -K.)	75	3,670.00
		100	4,109.00
		125	4,881.00
		150	5,696.00
		200	6,080.00
		250	8,159.00
		300	9,212.00
		350	10,265.00
		400	10,897.00
-KC	Anchor flange 1-3/4" down from top and 2" wide with clamp collar. Same dimensional requirements as -K. Price for -E plus -KC.	75	6,629.00
		100	7,394.00
		125	8,288.00
		150	9,161.00
		200	10,699.00
		250	13,853.00
		300	15,597.00
		350	17,239.00
		400	18,193.00
450	19,443.00		
500	20,521.00		
-PW	Plug Wrench		110.00
-STR	Storage tank on right-hand side when facing the inlet.		N/C

For additional product information, please visit www.zurn.com

*Regularly furnished unless otherwise specified.

Z1189 OIL/SEDIMENT INTERCEPTOR WITH HEAVY-DUTY GRATE

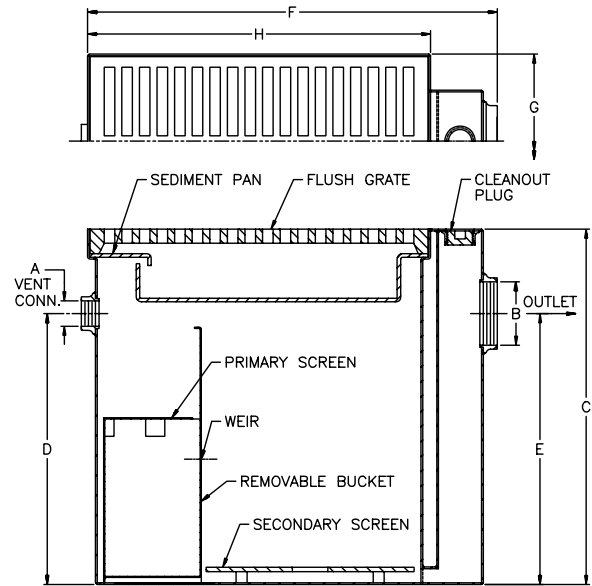


ENGINEERING SPECIFICATION

Zurn Z1189 oil/sediment interceptor features acid resistant coated interior and fabricated steel exterior, bronze cleanout plug and visible double wall trap seal, removable sediment bucket, horizontal baffle, internal vent connection, and Dura-Coated heavy-duty cast iron grate.

CAUTION

Interceptors must be maintained periodically in order to ensure proper operation of the system. Follow cleaning schedule based on usage.



PREFIXES	DESCRIPTION	SIZE	LIST PRICE
Z1189*	Acid Resistant Coated Fabricated Steel	12	4,781.00
		60	12,887.00
		100	18,312.00
		200	27,135.00
		300	35,818.00

SUFFIXES	DESCRIPTION	ADD
-DG	Duresist Grate	2,491.00

		SIZE	EA. ADDITIONAL	
			1" OVER 6"	UP TO 6"
-E	Acid Resistant Coated interior and exterior fabricated steel extension section. (Specify 'C' dimension required.)	12	124.00	805.00
		60	183.00	1,204.00
		100	261.00	1,593.00
		200	381.00	2,393.00
		300	504.00	3,161.00

		SIZE	ADD	
-K	Anchor flange 1-3/4" down from top and 2" wide	12	999.00	
		60	1,378.00	
		100	1,734.00	
		200	2,278.00	
		300	3,005.00	

-KC	Anchor flange 1-3/4" down from top and 2" wide	12	1,378.00	
		60	2,068.00	
		100	2,608.00	
		200	3,350.00	
		300	4,421.00	

-PW	Plug Wrench		110.00	
-----	-------------	--	--------	--

-SC	Heavy-Duty Solid Traffic Cover (maximum safe live load 10,000 lbs.)	12	898.00	
		60	1,791.00	
		100	2,917.00	
		200	3,887.00	
		300	5,131.00	

BEST SELLERS		LIST PRICE
Z1189-12-2IP		4,781.00
Z1189-60-4IP		12,887.00
Z1189-100-4IP		18,312.00
Z1189-100-4IP-DG		20,803.00

Size	Sludge Capacity lb [kg]	Grate Open Area inch [mm]	No. of Grates	No. of Pans	Approximate Weight lb [kg]	Dimensions in inches [mm]														
						A Vent Size	B Pipe Size	C	D	E	F	G	H							
12	12 [5]	49 [1245]	1	1	70 [32]	-	2 [51]	15 [381]	-	10-1/2 [267]	17-1/8 [435]	11-3/8 [289]	12-3/8 [314]							
60	60 [27]	131 [3327]			175 [79]			25-1/4 [641]	19-1/4 [489]	17-5/8 [448]	29-1/8 [740]	12-3/8 [314]	24-3/8 [619]							
100	100 [45]	262 [6655]	2		280 [127]	2	4 [102]	33 [838]	27 [686]	22 [559]	41-1/8 [1045]	24-3/8 [619]	36-3/8 [924]							
200	200 [91]	393 [9982]	3		370 [168]															
300	300 [136]	524 [13309]	4		460 [209]															

*Regularly furnished unless otherwise specified.

Items designated as Best Sellers are most specified and are generally in stock for shipment.

For additional product information, please visit www.zurn.com

Z1194 OIL LEVEL SENSOR RETROFIT KIT



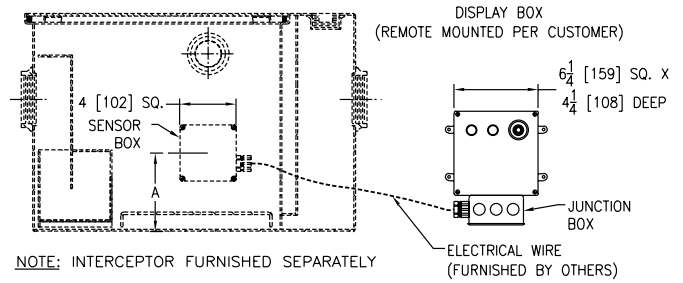
ENGINEERING SPECIFICATION

Zurn Z1194 oil level sensor retrofit kit features a fiberglass sensor box containing an electronic oil level sensor and a fiberglass display box with one green power light, red oil level light, audible alarm, and junction box. Intended use for retrofit applications on Z1186 and Z1188 oil interceptors. Power supply 100 to 240 VAC at 47 to 63 Hz, GFCI.

CAUTION

Caution: Interceptor must be cleaned of solids and other debris and the sensors wiped off on a regular basis in order to ensure proper operation of the system. Z1194 TO BE USED WITH INTERCEPTORS FOR ON-THE-FLOOR INSTALLATION ONLY.

PREFIXES	DESCRIPTION	LIST PRICE
Z1194	Oil Level Sensor Retrofit Kit	16,447.00



Z1186	
Flow Rate gpm [LPM]	A Dimensions inch [mm]
10 [38]	5-7/16 [138]
15 [57]	
20 [76]	6-5/8 [168]
25 [95]	7-3/4 [197]
35 [132]	
50 [189]	9-1/16 [230]
Z1188	
Flow Rate gpm [LPM]	A Dimensions inch [mm]
75 [284]	10 [254]
100 [379]	15-3/8 [391]
125 [473]	15-11/16 [398]
150 [568]	17-5/16 [440]
200 [757]	21-1/16 [535]
250 [946]	27-13/16 [706]
300 [1136]	32 [813]
350 [1325]	35-5/16 [897]
400 [1514]	39-5/16 [999]
450 [1703]	40-3/8 [1026]
500 [1893]	43-3/16 [1097]

Z1196 OIL INTERCEPTOR WITH OIL LEVEL SENSOR



ENGINEERING SPECIFICATION

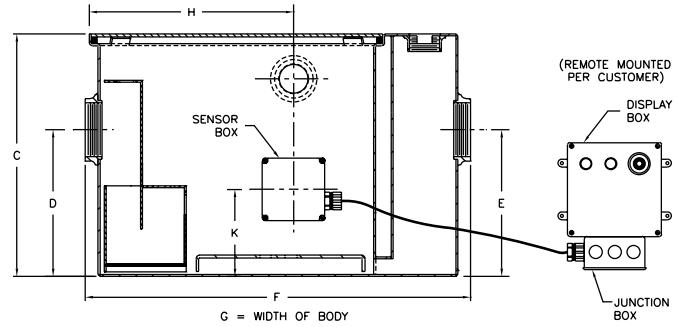
Zurn Z1196 oil interceptor features acid resistant coated interior and fabricated steel exterior with a fiberglass sensor box containing an electronic oil level sensor (specify right or left side[†]) and a fiberglass display box with one green power light, red oil level light, audible alarm and junction box. Includes bronze cleanout plug and visible double wall trap seal, removable combination pressure equalizing/flow-diffusing baffle and sediment bucket, horizontal baffle, and vent connections either side. Secured, gasketed, non-skid cover comes complete with flow control fitting. Regularly furnished with inlet and outlet in high position.

NOTES

- [†]Installed sensor box is mounted on the left- or right-hand side of the unit when facing inlet (must be specified).
- [‡]Inlet and outlet sizes shown indicate standard operating sizes and flow control settings. Size #300 and #400 will have 3" connections reduced to 2" as standard. Size #700 and #800 will have 4" connections reduced to 3" as standard. If changed, flow control must be adjusted accordingly.
- Power supply 120V GFCI.
- Recommended Installations: Sitting on the floor or recessed in a pit only. (A pit installation requires that a drain or sump pump be installed to keep the pit relatively dry.)
- For pit installation, see Form No. IT66.

CAUTION

Interceptors must be maintained periodically in order to ensure proper operation of the system. Follow cleaning schedule based on usage.



PREFIXES	DESCRIPTION	SIZE	LIST PRICE
Z1196	Acid Resistant Coated Fabricated Steel	300	25,769.00
		400	28,631.00
		500	30,833.00
		600	31,928.00
		700	34,919.00
		800	40,722.00
SUFFIXES	DESCRIPTION	ADD	
-PW	Plug Wrench	110.00	

Size	Inlet/Outlet inch [mm]	Flow Rate gpm [LPM]	Water Capacity gallon [L]	Oil Capacity gallon [L]	Approximate Weight lb [kg]	Dimensions in inches [mm]					
						C	D/E	F	G	H	K
300	2 [51]	10 [38]	7 [26]	1 [4]	56 [25]	13-7/8 [352]	8-1/8 [206]	25-1/8 [638]	14 [356]	11-5/8 [295]	5-7/16 [138]
400		15 [57]	9 [34]		77 [35]	14 [356]	8-1/4 [210]	25-1/4 [641]	14-1/8 [359]		
500	3 [76]	20 [76]	10 [38]	1-1/2 [6]	106 [48]	15-1/2 [394]	9-3/8 [238]	27-1/8 [689]	16-3/4 [425]	13-1/4 [337]	6-5/8 [168]
600		25 [95]	16 [61]	3-1/2 [13]	116 [53]	18-1/4 [464]	11-3/4 [298]	30 [762]	17-1/4 [438]	16 [406]	7-3/4 [197]
700		35 [132]	21 [79]	5 [19]	140 [64]	19-3/4 [502]	12-1/2 [318]	32-1/4 [819]	19-7/8 [505]	16-3/8 [416]	
800		50 [189]	30 [114]	7 [26]	171 [78]	24-1/4 [616]	14-3/16 [360]	34-1/8 [867]	22-1/2 [572]	17-1/4 [438]	

*Regularly furnished unless otherwise specified.

Items designated as Best Sellers are most specified and are generally in stock for shipment.

For additional product information, please visit www.zurn.com

INTRO
 ROOF DRAINS
 FLOOR DRAINS
 T, P, BW VALVES
 INTERCEPTORS
 CARRIERS
 HYDRANTS
 CLEANOUTS
 WHA
 SS DRAINS
 SANI-FLOOR
 TECH INFO

Z1198 LARGE CAPACITY OIL INTERCEPTOR WITH OIL LEVEL SENSOR



ENGINEERING SPECIFICATION

Zurn Z1198 oil interceptor with a fiberglass sensor box containing an electronic oil level sensor (specify right or left side[†]) features large capacity, acid resistant coated interior and fabricated steel exterior, and a fiberglass display box with one green power light, red oil level light, audible alarm and junction box. Includes bronze cleanout plug and visible double wall trap seal, removable combination pressure equalizing/flow-diffusing baffle and sediment bucket, horizontal baffle, and vent connections either side. Secured, gasketed, non-skid cover comes complete with flow control fitting. Regularly furnished with inlet and outlet in high position.

NOTES

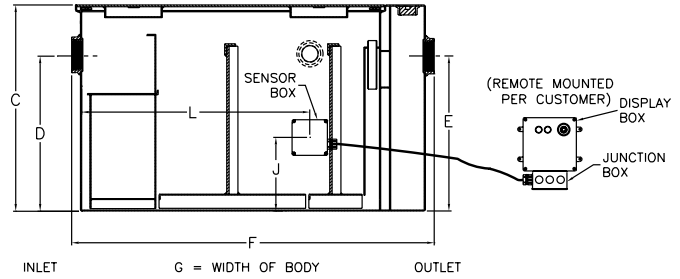
- [†]Installed sensor box is mounted on the left- or right-hand side of the unit when facing inlet (must be specified).
- Power supply 120V GFCI.

RECOMMENDED INSTALLATIONS

Sitting on the floor or recessed in a pit only. (A pit installation requires that a drain or sump pump be installed to keep the pit relatively dry.) For pit installation, see Form No. IT62.

CAUTION

Interceptors must be maintained periodically in order to ensure proper operation of the system. Follow cleaning schedule based on usage.



PREFIXES	DESCRIPTION	SIZE	LIST PRICE
Z1198	Acid Resistant Coated Fabricated Steel	75	59,870.00
		100	63,172.00
		125	70,260.00
		150	73,310.00
		200	95,032.00
		250	106,784.00
		300	106,784.00
		350	129,498.00
		400	POA
		450	POA
500	POA		
SUFFIXES	DESCRIPTION	ADD	
-PW	Plug Wrench	110.00	
BEST SELLERS			LIST PRICE
Z1198-75-3IP			59,870.00
Z1198-100-3IP			63,172.00

Flow Rate gpm [LPM]	Inlet/Outlet inch [mm]	Water Capacity gallon [L]	Oil Capacity gallon [L]	Approximate Weight lb [kg]	No. of Covers	Dimensions in inches [mm]					
						C	D/E	F	G	J	L
75 [284]	3 [76]	65 [246]	20 [76]	332 [151]	1	22-3/4 [578]	18-1/2 [470]	36 [914]	28-5/8 [727]	10 [254]	25-3/4 [654]
100 [379]		110 [416]	27 [102]	432 [196]		27 [686]	23 [584]	42-3/4 [1086]	33-5/8 [854]	15-3/8 [391]	30-1/8 [765]
125 [473]		150 [568]	33 [125]	780 [354]		30-1/8 [765]	24-1/2 [622]	49-1/4 [1251]	40 [1016]	15-11/16 [398]	36-5/8 [930]
150 [568]	4 [102]	190 [719]	40 [151]	888 [403]	2	30-3/4 [781]	25-1/4 [641]	56 [1422]	41-3/8 [1051]	17-5/16 [440]	43-7/8 [1114]
200 [757]		265 [1003]	53 [201]	1055 [479]		35-1/2 [902]	29-7/8 [759]	61 [1549]	43-5/8 [1108]	21-1/16 [535]	46-5/8 [1184]
250 [946]		460 [1741]	67 [254]	1438 [652]		41 [1041]	36 [914]	71 [1803]	51-3/8 [1305]	27-13/16 [706]	56-5/8 [1438]
300 [1136]	5 [127]	660 [2498]	80 [303]	1840 [835]	2	46-1/4 [1175]	39-5/8 [1006]	80 [2032]	58-3/8 [1483]	32 [813]	65-5/8 [1667]
350 [1325]		860 [3255]	93 [352]	2180 [989]		50-1/2 [1283]	43-7/8 [1114]	87 [2210]	63-5/8 [1616]	35-5/16 [897]	74-1/8 [1883]
400 [1514]		1090 [4126]	107 [405]	2536 [1150]		54-1/4 [1378]	47-5/8 [1210]	94 [2388]	67 [1702]	39-5/16 [999]	79-1/8 [2010]
450 [1703]	6 [152]	1275 [4826]	120 [454]	2816 [1277]	3	55-1/4 [1403]	48-5/8 [1235]	100 [2540]	72 [1829]	40-3/8 [1026]	85-3/8 [2169]
500 [1893]		1435 [5432]	133 [503]	2970 [1347]		57-1/4 [1454]	51-5/8 [1311]	104 [2642]	74 [1880]	43-3/16 [1097]	88-3/8 [2245]

Z1198-ST LARGE CAPACITY OIL INTERCEPTOR WITH INTEGRAL STORAGE TANK AND OIL LEVEL FLOAT SENSOR



ENGINEERING SPECIFICATION

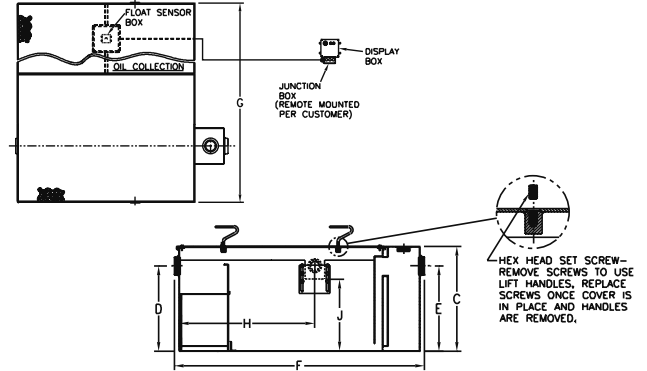
Zurn Z1198-ST oil interceptor features acid resistant coated interior and fabricated steel exterior, fiberglass sensor box containing an electronic oil level sensor, fiberglass display box with audio and visual alarms and junction box. Includes bronze cleanout plug and visible double wall trap seal, removable combination pressure equalizing/flow-diffusing baffle and sediment bucket, adjustable oil draw-off, and vent connections. Secured, gasketed, non-skid cover comes complete with flow control fitting and left hand integral storage tank. Regularly furnished with inlet and outlet in high position.

NOTES

Location of inlet and outlet from bottom of interceptor cannot be changed.

CAUTION

Interceptors must be maintained periodically in order to ensure proper operation of the system. Follow cleaning schedule based on usage.



PREFIXES	DESCRIPTION	SIZE	LIST PRICE
Z1198-ST*	Acid Resistant Coated Fabricated Steel	75	74,961.00
		100	79,950.00
		125	90,487.00
		150	95,097.00
		200	127,670.00
		250	145,338.00
		300	162,431.00
		350	POA
		400	POA
		500	POA

SUFFIXES	DESCRIPTION	ADD	EA. ADDITIONAL	
			SIZE	UP TO 10"
-E	Integral Acid Resistant Coated interior and exterior fabricated steel extension section. (Specify 'C' Dim. required for recessed installation.)	75	519.00	7,629.00
		100	544.00	7,955.00
		125	591.00	8,288.00
		150	620.00	8,604.00
		200	642.00	12,316.00
		250	719.00	15,980.00
		300	823.00	19,446.00
		350	908.00	23,013.00
		400	983.00	26,854.00
		450	1,033.00	31,319.00
		500	1,081.00	35,857.00

SUFFIXES	DESCRIPTION	SIZE	ADD
-HD	Heavy-Duty Traffic Cover rated at 10,000 lbs. maximum safe live load. An increased 'C' dim. is required when -HD option is specified.	75	17,005.00
		100	23,444.00
		125	25,699.00
		150	30,087.00
		200	34,322.00
		250	47,327.00
		300	60,786.00
		350	71,694.00
		400	82,537.00
		450	94,338.00
500	100,883.00		
-K	Anchor flange 1 3/4" down from top and 2" wide. A 3" minimum extension height is required when anchor flange (-K) option is specified. (Specify 'C' Dim. height required.)	75	3,670.00
		100	4,109.00
		125	4,881.00
		150	5,696.00
		200	6,080.00
		250	8,159.00
		300	9,212.00
		350	10,265.00
		400	10,897.00
		450	11,536.00
500	12,219.00		
-KC	Anchor flange 1 3/4" down from top and 2" wide with clamp collar. A 3" minimum extension height is required when anchor flange (-KC) option is specified. (Specify 'C' Dim. height required.)	75	6,629.00
		100	7,394.00
		125	8,288.00
		150	9,161.00
		200	10,699.00
		250	13,853.00
		300	15,597.00
		350	17,239.00
		400	18,193.00
		450	19,443.00
500	20,521.00		
-STR	Storage tank on right-hand side when facing the inlet.		N/C
BEST SELLER			LIST PRICE
Z1198-ST-75-31P			74,961.00

Flow Rate gpm [LPM]	Inlet/Outlet inch [mm]	Water Capacity gallon [L]	Oil Capacity gallon [L]	Approximate Weight lb [kg]	No. of Covers		Dimensions in inches [mm]					
					Trap	Tank	C	D/E	F	G	H	J
75 [284]	3 [76]	88 [333]	125 [473]	615 [279]	1	1	22-3/4 [578]	18-1/2 [470]	51-3/8 [1305]	65-3/8 [1661]	29-1/4 [743]	15-1/2 [394]
100 [379]		159 [602]		800 [363]			27 [686]	23 [584]	60-3/8 [1534]	82-3/8 [2092]	35-1/4 [895]	19-3/4 [502]
125 [473]		208 [787]	250 [946]	1450 [658]			30-1/8 [765]	24-1/2 [622]	64-1/4 [1632]	84-5/8 [2149]	36 [914]	21 [533]
150 [568]	4 [102]	235 [890]		1640 [744]	2	2	30-3/4 [781]	25-1/4 [641]	68-1/4 [1734]	82-3/4 [2102]	38-11/16 [983]	21-5/8 [549]
200 [757]		333 [1261]		1950 [885]			35-1/2 [902]	29-7/8 [759]	71-3/8 [1813]	92-3/4 [2356]	43-1/2 [1105]	26-3/8 [670]
250 [946]		445 [1685]	400 [1514]	2650 [1202]			41 [1041]	36 [914]	75-1/2 [1918]	95-5/8 [2429]	40-3/4 [1035]	32-1/2 [826]
300 [1136]	5 [127]	664 [2514]		3400 [1542]	2	2	46-1/4 [1175]	39-5/8 [1006]	82-3/8 [2092]	92-3/8 [2346]	48-1/16 [1221]	37-3/4 [959]
350 [1325]		1006 [3808]		4000 [1814]			50-1/2 [1283]	43-7/8 [1114]	103-1/8 [2619]	104-3/4 [2661]	61-15/16 [1573]	40-3/8 [1026]
400 [1514]		1266 [3808]	700 [2650]	4700 [2132]			54-1/4 [1378]	47-5/8 [1210]	110-1/8 [2797]	102-5/8 [2607]	66-9/16 [1691]	44-1/8 [1121]
450 [1703]	6 [152]	1575 [5962]		5200 [2359]	2	2	55-1/4 [1403]	48-5/8 [1235]	123-1/4 [3127]	102-7/8 [2613]	75-1/4 [1911]	44-5/8 [1133]
500 [1893]		1695 [6416]		5500 [2495]			57-1/4 [1454]	51-5/8 [1311]	124-1/8 [3153]	103-5/8 [2632]	73-15/16 [1878]	48-1/8 [1222]

*Regularly furnished unless otherwise specified.

For additional product information, please visit www.zurn.com

Items designated as Best Sellers are most specified and are generally in stock for shipment.

NOTES

INTRO

ROOF DRAINS

FLOOR DRAINS

T, P, BW VALVES

INTERCEPTORS

CARRIERS

HYDRANTS

CLEANOUTS

WHA

SS DRAINS

SANI-FLOOR

TECH INFO

CARRIER SYSTEMS

CARRIER – APPLICATION INDEX	202				
CARRIER – PRODUCT COMPLIANCE	202				
CARRIER – TECHNICAL DATA	202				
CARRIER – HOW TO SPECIFY	202				
CARRIER – TECHNICAL DATA	203				
Z1200 CARRIER TOOLS AND ACCESSORIES	204				
⌚ Z1201-N_3-F EZCARRY® ADJUSTABLE HORIZONTAL NO-HUB WATER CLOSET WITH FLOOR MOUNT BACK OUTLET FIXTURE SUPPORT	206				
⌚ Z1201-N_4-F EZCARRY® ADJUSTABLE HORIZONTAL NO-HUB WATER CLOSET WITH FLOOR MOUNT BACK OUTLET FIXTURE SUPPORT	207				
⌚ Z1201-N EZCARRY® ADJUSTABLE HORIZONTAL HIGH PERFORMANCE SIPHON JET – NO-HUB SERIES	208				
⌚ Z1201-H EZCARRY® ADJUSTABLE HORIZONTAL HIGH PERFORMANCE SIPHON JET – HUB AND SPIGOT SERIES	210				
Z1201-N-XB EZCARRY® BARIATRIC CARRIER – 1000 LB ADJUSTABLE HORIZONTAL SIPHON JET – NO-HUB SERIES	212				
Z1201-N-XH EZCARRY® EXTRA HEAVY-DUTY 750 LB ADJUSTABLE HORIZONTAL SIPHON JET – NO-HUB SERIES	213				
⌚ ZE1201-N EZCARRY® ADJUSTABLE HORIZONTAL SIPHON JET WITH ELONGATED FITTING – NO-HUB SERIES	214				
⌚ ZE1201-H EZCARRY® ADJUSTABLE HORIZONTAL SIPHON JET WITH ELONGATED FITTING – HUB AND SPIGOT SERIES	216				
⌚ ZF1201-N EZCARRY® HORIZONTAL SIPHON JET ONE-PIECE CARRIER – NO-HUB SERIES	218				
⌚ ZN1201-N EZCARRY® ADJUSTABLE HORIZONTAL SIPHON JET – NO-HUB NARROW WALL SYSTEM (9-3/8" DEPTH FRONT TO BACK)	219				
⌚ Z1202-N EZCARRY® ADJUSTABLE VERTICAL HIGH PERFORMANCE SIPHON JET – NO-HUB SERIES	220				
⌚ Z1202-H EZCARRY® ADJUSTABLE VERTICAL HIGH PERFORMANCE SIPHON JET – HUB AND SPIGOT SERIES	222				
Z1202-N-XB EZCARRY® BARIATRIC CARRIER – 1000 LB ADJUSTABLE VERTICAL SIPHON JET – NO-HUB SERIES	224				
Z1202-N-XH EZCARRY® EXTRA HEAVY-DUTY 750 LB ADJUSTABLE VERTICAL SIPHON JET – NO-HUB SERIES	225				
⌚ ZF1202-N EZCARRY® VERTICAL SIPHON JET ONE-PIECE CARRIER – NO-HUB SERIES	226				
⌚ ZN1202-N EZCARRY® ADJUSTABLE VERTICAL SIPHON JET – NO-HUB NARROW WALL SYSTEM	227				
Z1203-N ADJUSTABLE HORIZONTAL SIPHON JET – NO-HUB SERIES	228				
Z1203-H ADJUSTABLE HORIZONTAL SIPHON JET – HUB AND SPIGOT SERIES	230				
⌚ ZE1203-N ADJUSTABLE HORIZONTAL SIPHON JET WITH ELONGATED FITTING – NO-HUB SERIES	232				
⌚ ZE1203-H ADJUSTABLE HORIZONTAL SIPHON JET WITH ELONGATED FITTING – HUB AND SPIGOT SERIES	234				
Z1204-H ADJUSTABLE VERTICAL SIPHON JET – HUB AND SPIGOT SERIES	236				
Z1204-N ADJUSTABLE VERTICAL SIPHON JET – NO-HUB SERIES	238				
Z1207-N ADJUSTABLE HORIZONTAL HIGH ROUGH-IN SIPHON JET – NO-HUB	240				
Z1208-N VERTICAL SIPHON JET WATER CLOSET SUPPORT SYSTEM – NO-HUB	241				
Z1208-H VERTICAL SIPHON JET WATER CLOSET SUPPORT SYSTEM – HUB AND SPIGOT	242				
Z1209-N VERTICAL OFFSET SIPHON JET WATER CLOSET SUPPORT SYSTEM – NO-HUB	243				
ZN1209-N VERTICAL OFFSET SIPHON JET – NO-HUB NARROW WALL SYSTEM	244				
Z1212 WALL CLOSET SUPPORT SYSTEM	245				
Z1213-N 4" VERTICAL SIPHON JET WATER CLOSET SUPPORT SYSTEM – 2" OR 4" TOP VENT CLOSET FITTING ONLY (NO SUPPORT)	246				
Z1216 90° DOUBLE NO-HUB SYSTEM FOR FLOOR MOUNTED BACK OUTLET WATER CLOSETS	247				
Z1217 COUPLING TYPE SYSTEM – WALL URINAL/SERVICE SINK	248				
Z1218 COUPLING TYPE SYSTEM – WALL URINAL/SERVICE SINK	249				
Z1221 PLATE TYPE SYSTEM – WALL URINALS	250				
Z1222 PLATE TYPE SYSTEM – WITH BEARING PLATE	250				
Z1223 PLATE TYPE SYSTEM – TROUGH URINALS	251				
Z1224 PLATE TYPE SYSTEM – LAVATORY WITH BACK	251				
Z1225 PLATE TYPE SYSTEM – WATER COOLERS	252				
Z1229 PLATE AND EXPOSED ARM – HEAVY SINKS	252				
Z1231 CONCEALED ARM SYSTEM – WALL LAVATORIES	253				
⌚ Z1231EZ UNIVERSAL LAVATORY CARRIER – WALL LAVATORIES	253				
Z1236 EXPOSED ARM SYSTEM – WALL LAVATORIES/SINKS	254				
Z1251 CONCEALED ARM SYSTEM – WALL SUPPORTED	255				
Z1253 ADJUSTABLE CONCEALED ARM SYSTEM – WALL SUPPORTED	255				
Z1255 EXPOSED ARM SYSTEM – WALL SUPPORTED	256				
Z1256 EXPOSED ARM SYSTEM – WALL SUPPORTED	257				
Z1257 EXPOSED ARM SYSTEM – WALL SUPPORTED	257				
Z1258 EXPOSED ARM SYSTEM – WALL SUPPORTED	258				
Z1259 PLATE SYSTEM – WALL SUPPORTED	259				
Z1280 WOOD STUD SUPPORTED WATER CLOSET CARRIER – NO-HUB	260				
Z1282 WOOD STUD SUPPORTED WATER CLOSET CARRIER – HUB AND SPIGOT	260				
Z1283 WOOD STUD SUPPORTED WATER CLOSET CARRIER – PLASTIC PIPE	261				
Z1284 CONCRETE FLOOR SUPPORTED WATER CLOSET CARRIER	261				
Z1285 WOOD STUD SUPPORTED WATER CLOSET CARRIER	262				

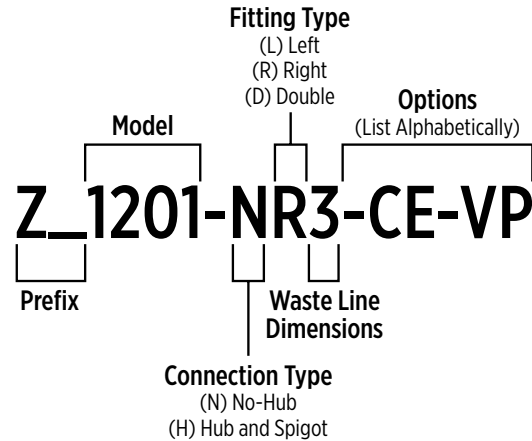
CARRIER - APPLICATION INDEX

APPLICATION	TYPE	RECOMMENDED CARRIER
Commercial (Cement Slab) Construction Off-the-Floor Closet	300 lb Rigid System	Z1201, ZE1201, ZF1201, ZN1201, Z1202, ZF1202, ZN1202 Z1203, ZE1203, Z1204, Z1207, Z1208, Z1209, ZN1209
	500 lb Rigid System	Z1201, Z1202, ZE1201, ZF1201, ZN1201, ZF1202, ZN1202
	750 lb Extra-Heavy-Duty	Z1201-XH, Z1202-XH
	1000 lb Bariatric	Z1201-XB, Z1202-XB
Wood Stud and Residential Off-the-Floor Closet		Z1212, Z1280, Z1282, Z1283, Z1284, Z1285
Penal Fixtures and Floor Mounted Back Outlet Fixtures		Z1216
Off-the-Floor Lavatories	Plate Type	Z1224, Z1224-EZ, Z1259 (No Uprights)
	Concealed Arm	Z1231, Z1231EZ, Z1251, Z1253 (No Uprights)
	Exposed Arm	Z1236, Z1256, Z1257, Z1258 (No Uprights)
Wash Sinks, Mop Sinks, Heavy Cast Sinks, Service Sinks		Z1217, Z1218, Z1229
Off-the-Floor Urinals		Z1221, Z1221-EZ, Z1222, Z1222-EZ, Z1223
Drinking Fountains, Water Coolers		Z1225
System Accessories		Z1200

CARRIER - PRODUCT COMPLIANCE

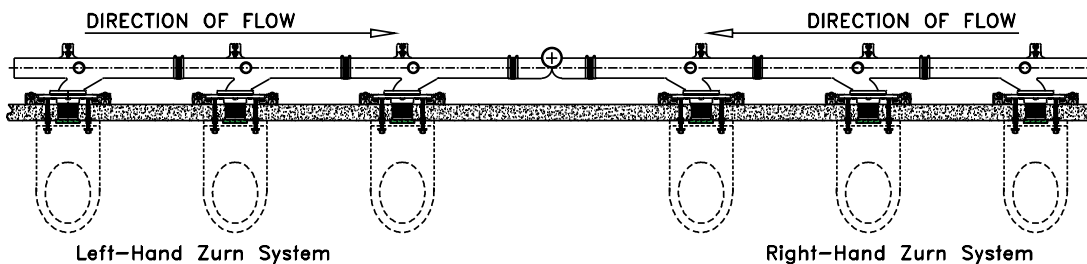
Zurn systems comply with ANSI A112.6.1M and are listed with IAPMO. For verification of a selected carrier, contact your local Zurn Sales Representative.

CARRIER - HOW TO SPECIFY



CARRIER - TECHNICAL DATA

DETERMINATION OF RIGHT- AND LEFT-HAND SYSTEMS



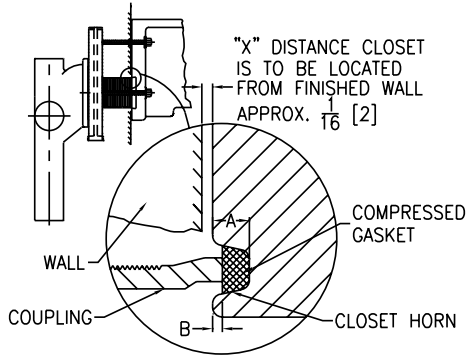
Stand facing the fixture.

If flow is from the right, Zurn System is right-hand. If flow is from the left, Zurn System is left-hand.

CARRIER – TECHNICAL DATA

DETERMINATION OF COUPLING AND FIXTURE DISTANCES FROM FRONT OF WALL

To ensure a tight seal at outlet of closet having a rectangular groove, the front end of the coupling should be located to compress the gasket adequately when the fixture is in the desired location. This dimension will vary depending on depth of recess (Dim. A) in closet. The following formula may be used to determine amount coupling should extend (Dim. B) in front of finished wall.



Inset illustrates depth of gasket recess in fixture and coupling with normal pressure on gasket.

A = depth of recess in closet

X = distance closet is to be located from finished wall

B = distance coupling should extend in front of finished wall.

$$\text{Thus, } A + X - 1/2" = B$$

With fixtures having vee-shaped grooves, coupling may have to extend an additional 1/8" or more. With any closet, the coupling must compress the gasket enough so that the adhesive-coated surfaces are in good contact with the china and the face of the coupling.

IMPORTANT: Bearing nuts and washers must be located properly to establish and maintain dimension "X."

DISTANCE FIXTURE BOLTS LOCATED IN FRONT OF WALL

To locate fixture bolts:

T = thickness of wall flange of closet

X = distance closet is to be located from finished wall

B = distance fixture studs should extend in front of finished wall.

$$\text{Thus, } T + X + 5/8" = B$$

"Minimum 'P' Dimension" is the minimum dimension from front of faceplate to finished wall:

Z1201/Z1202/Z1203/Z1204	Z1208 thru Z1209
1-3/4"	1"

"Standard 'P' Dimension" which is regularly supplied unless otherwise specified, provides for the following dimensions from the front of the faceplate to finished wall:

Z1201/Z1202/Z1203/Z1204		Z1208 thru Z1209	
MIN.	MAX.	MIN.	MAX.
5"	6"	4"	5-1/8"

Longer 'P' dimensions (or shorter) with couplings up to, and including 12", are furnished at no extra charge. An additional charge will be made for greater 'P' dimensions (see Suffix -CL).

ALLOWANCE FOR CONCEALED FLUSH VALVES

When wall closets are installed with concealed flush valves having rear inlet supply, location of faceplate is important – for Siphon Jet bowls, it is not necessary to locate faceplate behind supply line, since supply line will clear top of faceplate and vent line. For Blow Out installations, however, faceplate must be located behind supply line to prevent interference of faceplate with supply line.

Dimensions below based on B = 3/8".

Z1201/Z1202/Z1203/Z1204			
'P' Dimension*		Coupling Length	Stud Length
Min.	Max.		
1-3/4	2-3/4	2-3/4	6
2-1/2	3-1/2	3-1/2	8
3	4	4	8
4	5	5	8
5	6	6	9
6	7	7	10
7	8	8	11-1/4
7-1/2	8-1/2	8-1/2	11-1/4
8-1/4	9-1/4	9-1/4	12-3/4
9	10	10	12-3/4
10	11	11	15-3/4
11	12	12	15-3/4

Z1208 thru Z1209			
'P' Dimension*		Coupling Length	Stud Length
Min.	Max.		
1	1-7/8	2-3/4	6
1-1/2	2-5/8	3-1/2	8
2	3-1/8	4	8
3	4-1/8	5	8
4	5-1/8	6	9
5	6-1/8	7	9
6	7-1/8	8	11-1/4
6-1/2	7-5/8	8-1/2	11-1/4
7-1/4	8-3/8	9-1/4	12-3/4
8	9-1/8	10	12-3/4
9	10-1/8	11	15-3/4
10	11-1/8	12	15-3/4

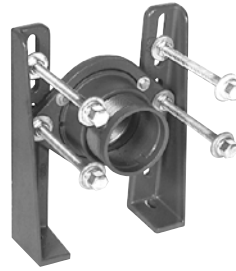
Z1200 CARRIER TOOLS AND ACCESSORIES



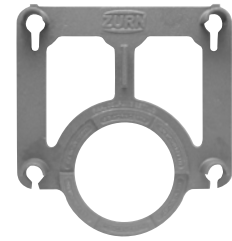
Ⓢ EZCARRY-HANDLE



Z1200-CPLGWRNCH



Z1200-AUX-SPRT



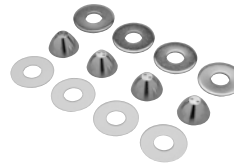
Ⓢ Z1200-RI-GAUGE



Z1200-NEOSEAL-GSKT-4



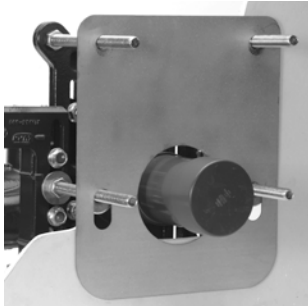
Z1200-RTRFT-NUT



Z1200-VP-HARDWARE

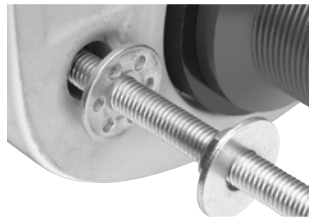


Z1200-VP-WRENCH



Ⓢ EZCUTGUIDE†

*Image showing old style carrier



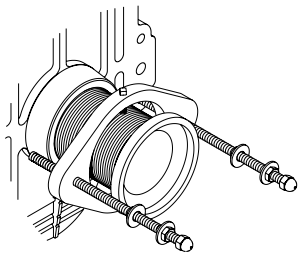
Z1200-ADJ-NUT



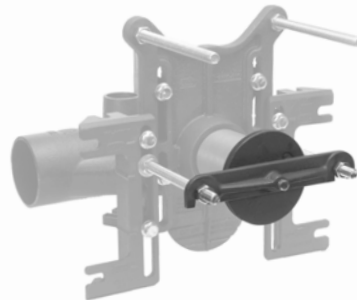
Ⓢ Z1200-OFL Patented



Ⓢ Z1200-OFR Patented



Ⓢ Z1200-FLRMNT-ADPT



Z1200-CC-TESTCAP shown on Z1201-N†

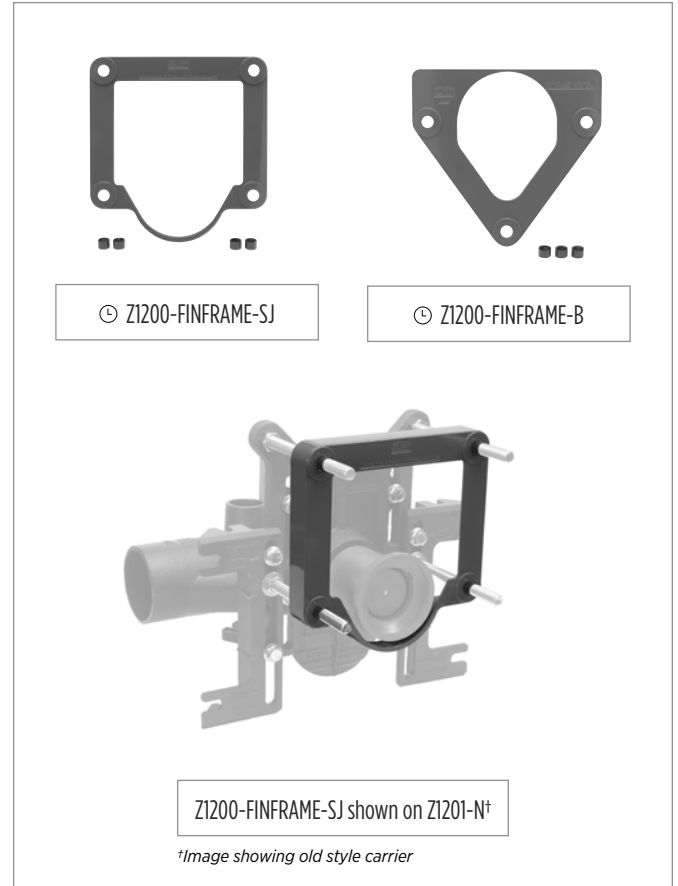
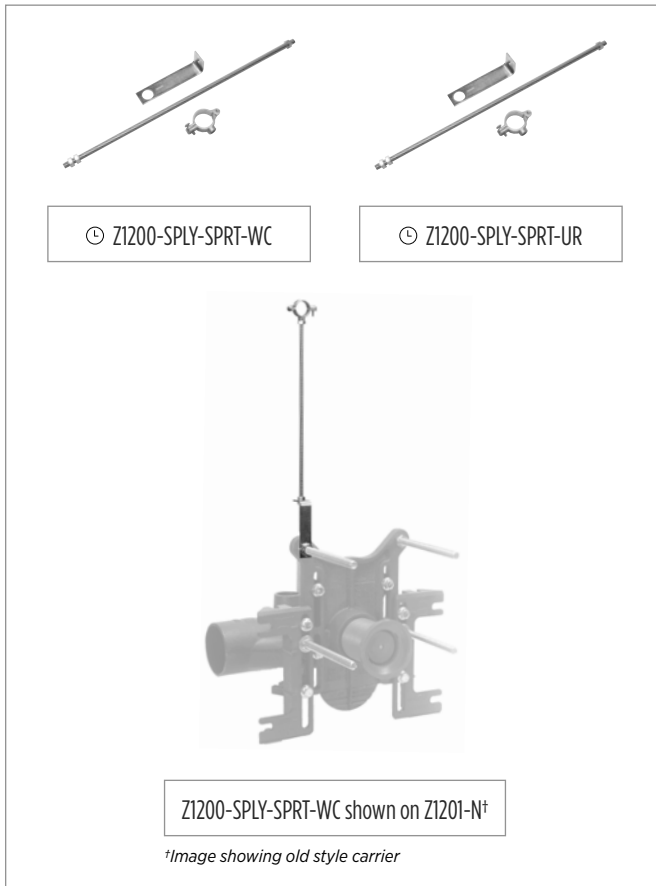
*Image showing old style carrier



Z1200-CC-TESTCAP

Z1200 CARRIER TOOLS AND ACCESSORIES

PRODUCT NUMBER	DESCRIPTION	LIST PRICE
Ⓢ EZCARRY-HANDLE	Carry Handle for Z1201/ Z1202	154.00
Ⓢ EZCUTGUIDE	EZ-Set Cutting Guide for use with -CE coupling system	321.00
Z1200-ADJ-NUT	Flush Wall Adjustment Nut/Washer	14.00
Z1200-AUX-SPRT	Auxiliary Support Assembly (Required For P-Dim. Greater than 18")	1,068.00
Z1200-AUX-FT-SPRT	Auxiliary Foot Support Assembly (Required For P-Dim. 7" - 18")	403.00
Z1200-CC-TESTCAP	Mechanical Test Cap Assembly for -CC Coupling	137.00
Z1200-CPLGWRNCH-3	Adjusting Wrench for 3" Adjustable Coupling - BEST SELLER	137.00
Z1200-CPLGWRNCH-4	Adjusting Wrench for 4" Adjustable Coupling - BEST SELLER	137.00
Ⓢ Z1200-FINFRAME-SJ	Finishing Frame for Siphon Jet System - BEST SELLER	107.00
Ⓢ Z1200-FINFRAME-B	Finishing Frame for Blowout Type System (Not for use with Z1201/ Z1202)	107.00
Ⓢ Z1200-FLRMNT-ADPT	Adapter Flange Assembly for Floor Mounted Back Outlet Fixture - BEST SELLER	198.00
Z1200-FT-EXT-2	2" Foot Extension Assembly	113.00
Z1200-FT-EXT-3	3" Foot Extension Assembly	113.00
Z1200-FT-EXT-4	4" Foot Extension Assembly	113.00
Ⓢ Z1200-NEOSEAL-GSKT-4	4" Bonded "Neo-Seal" Closet Gasket Kit (Previously Z1210-57) - BEST SELLER	107.00
Ⓢ Z1200-OFL	Offset Fitting - Left - BEST SELLER	950.00
Ⓢ Z1200-OFR	Offset Fitting - Right	950.00
Z1200-RI-GAUGE	Water Closet Rough-In Gauge	107.00
Z1200-RTRFT-NUT	Retro-Fit Cap Nut	59.00
Ⓢ Z1200-SPLY-SPRT-UR	Flush Valve Supply Support for Urinals	113.00
Ⓢ Z1200-SPLY-SPRT-WC	Flush Valve Supply Support for Water Closets - BEST SELLER	113.00
Z1200-VP-WRNCH	Wrench for Vandal-Proof Screws	37.00
Z1200-VP-HRDWR-1/4	1/4" Vandal-Proof Cap Nuts (1 Set)	173.00
Z1200-VP-HRDWR-3/8	3/8" Vandal-Proof Cap Nuts (1 Set)	173.00
Z1200-VP-HRDWR-5/8	5/8" Vandal-Proof Cap Nuts (1 Set)	173.00



Items designated as Best Sellers are most specified and are generally in stock for shipment.
 Ⓢ This symbol denotes a product that is engineered to reduce installation and rework time.
 For Additional System Tools See "Z1200 Carrier Tools and Accessories" on page 204

*Regularly furnished unless otherwise specified.
 For additional product information, please visit www.zurn.com

🕒 **Z1201-N_3-F** EZCARRY® ADJUSTABLE HORIZONTAL NO-HUB WATER CLOSET WITH FLOOR MOUNT BACK OUTLET FIXTURE SUPPORT

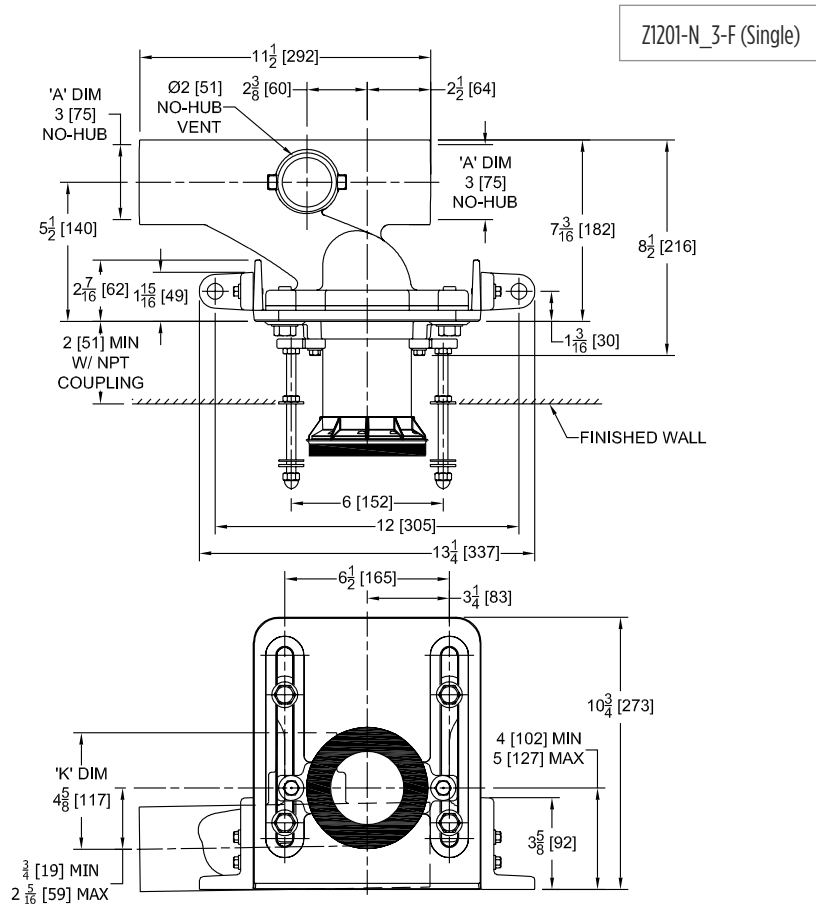


ENGINEERING SPECIFICATION

EZCarry® horizontal siphon jet water closet carrier system with high performance waterway and 3" [76 mm] no-hub connections. Floor mount back outlet connection optimized for installation. System includes Dura-Coated cast iron main fitting with hydro-mechanically optimized sweep and extended 2" [51 mm] vent, adjustable gasketed faceplate, floor mounted, back outlet fixture support, trim, bonded "Neo-Seal" gasket, and EZ-Set™ Coupling designed to increase flow velocity and line carry.

Product Number	Dimensions in inches [mm]				Approximate Weight lb [kg]
	A	B	K	N	
Z1201-NL3-F	3 [75]	-	4-5/8 [117]	-	15
Z1201-NR3-F					

PREFIXES	DESCRIPTION	SINGLE	DOUBLE
Z	D.C.C.I. System with Zurn EZ-Set™ Coupling	Combine with Fitting Type for Pricing	
FITTING TYPE			
Z1201-NL3-F	No-Hub Left Hand Inlet with Flow to Right	1,795.00	-
Z1201-NR3-F	No-Hub Left Hand Inlet with Flow to Left	1,795.00	-
SUFFIXES			ADD
-G	Galvanized Cast Iron	1,014.00	2,024.00
-VP	Vandal-Proof Trim	173.00	336.00



*Regularly furnished unless otherwise specified.

For additional product information, please visit www.zurn.com

Items designated as Best Sellers are most specified and are generally in stock for shipment.

🕒 This symbol denotes a product that is engineered to reduce installation and rework time.

For Additional System Tools See "Z1200 Carrier Tools and Accessories" on page 204

🕒 Z1201-N_4-F EZCARRY® ADJUSTABLE HORIZONTAL NO-HUB WATER CLOSET WITH FLOOR MOUNT BACK OUTLET FIXTURE SUPPORT

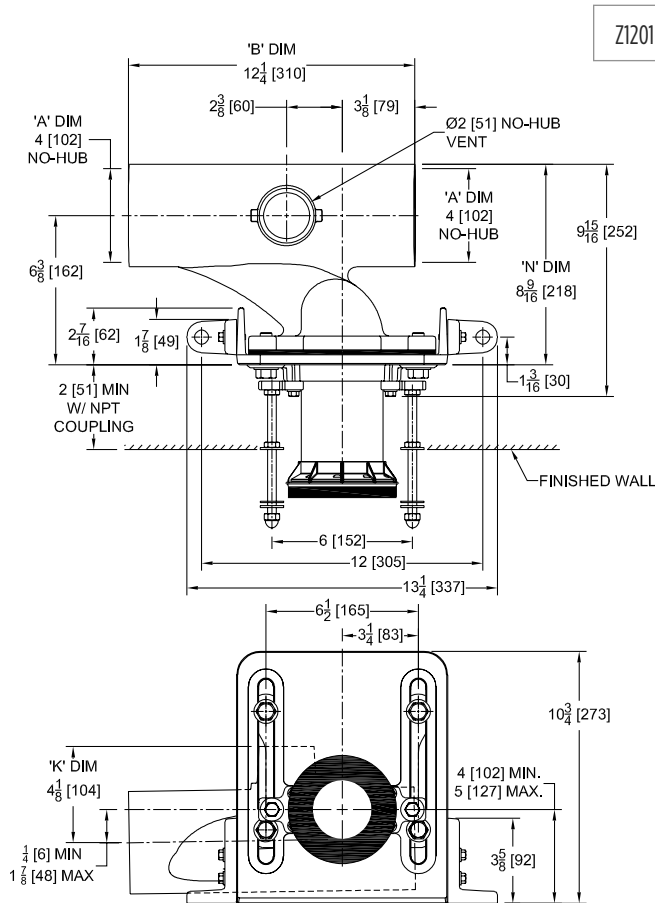


ENGINEERING SPECIFICATION

EZCarry® horizontal siphon jet water closet carrier system with high performance waterway and 3" [76 mm] no-hub connections. Floor mount back outlet connection optimized for installation. System includes Dura-Coated cast iron main fitting with hydro-mechanically optimized sweep and extended 2" [51 mm] vent, adjustable gasketed faceplate, floor mounted, back outlet fixture support, trim, bonded "Neo-Seal" gasket, and EZ-Set™ Coupling designed to increase flow velocity and line carry.

Product Number	Dimensions in inches [mm]				Approximate Weight lb [kg]
	A	B	K	N	
Z1201-NL4-F	4 [102]	-	4-1/8 [104]	-	15
Z1201-NR4-F					

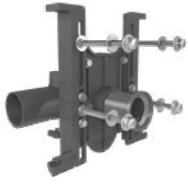
PREFIXES	DESCRIPTION	SINGLE	DOUBLE
Z	D.C.C.I. System with Zurn EZ-Set™ Coupling	Combine with Fitting Type for Pricing	
FITTING TYPE			
Z1201-NL4-F	No-Hub Left Hand Inlet with Flow to Right	1,795.00	-
Z1201-NR4-F	No-Hub Left Hand Inlet with Flow to Left	1,795.00	-
SUFFIXES		ADD	
-G	Galvanized Cast Iron	1,014.00	2,024.00
-VP	Vandal-Proof Trim	173.00	336.00



Items designated as Best Sellers are most specified and are generally in stock for shipment.
 🕒 This symbol denotes a product that is engineered to reduce installation and rework time.
 For Additional System Tools See "Z1200 Carrier Tools and Accessories" on page 204

*Regularly furnished unless otherwise specified.
 For additional product information, please visit www.zurn.com

⌚ Z1201-N EZCARRY® ADJUSTABLE HORIZONTAL HIGH PERFORMANCE SIPHON JET – NO-HUB SERIES



Patented

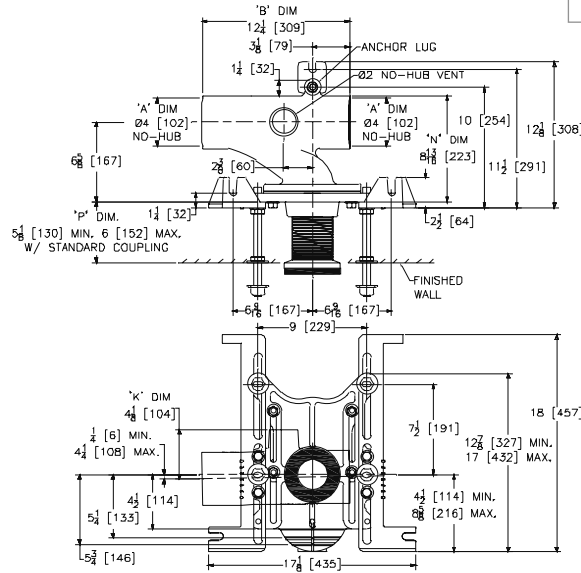
ENGINEERING SPECIFICATION

Zurn Z1201-N() EZCarry® horizontal siphon jet water closet carrier system features high performance waterway and () no-hub connections. System includes Dura-Coated cast iron right-hand, left-hand, or double main fitting with hydro-mechanically optimized sweep and extended 2" vent, adjustable gasketed faceplate, floor mounted pre-fab slotted foot supports with top anchoring pre-fab support base, heavy-duty 1/2" rear anchor tie down, fixture bolts, trim, stud protectors, bonded Neo-Seal gasket, and corrosion resistant adjustable 3" diameter x 6" coupling with integral test cap designed to increase flow velocity and line carry. EZCarry system complies with the requirements of ASME A112.6.1M, up to a 500 lb static load rate.

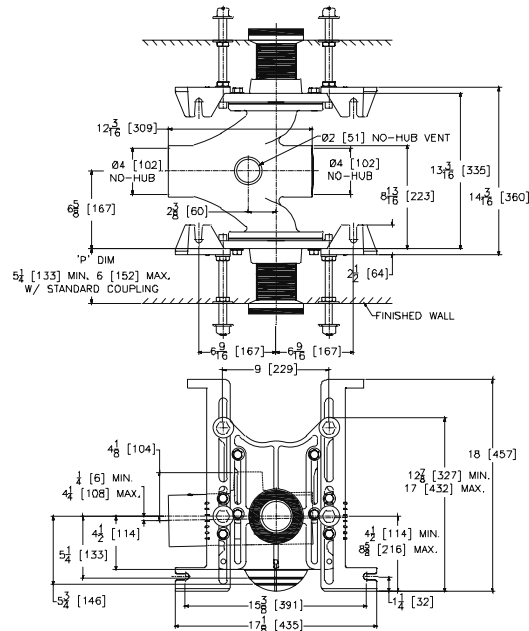
NOTES

1. Cut 4" adjustable coupling minimum "P" dimension obtainable = 2". EZ-Set™ coupling, minimum "P" dimension obtainable = 4-1/4" or 2-1/16" for 12" NPT.
2. Feet bolted to floor using minimum 1/2" diameter anchors and back slots on carrier feet.
3. Rear anchor foot required for secure installation.

Z1201-NR4 (Single)



Z1201-ND4 (Double)



*Regularly furnished unless otherwise specified.

For additional product information, please visit www.zurn.com

Items designated as Best Sellers are most specified and are generally in stock for shipment.

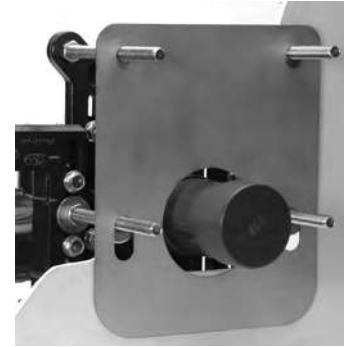
⌚ This symbol denotes a product that is engineered to reduce installation and rework time.

For Additional System Tools See "Z1200 Carrier Tools and Accessories" on page 204

⌚ Z1201-N EZCARRY® ADJUSTABLE HORIZONTAL HIGH PERFORMANCE SIPHON JET – NO-HUB SERIES

Product Number	Dimensions in inches [mm]				Approximate Weight lb [kg]
	A	B	K	N	
Z1201-NL3	3 [76]	11-1/2 [292]	4-7/16 [113]	7-3/8 [187]	55 [25]
Z1201-NR3				9-3/4 [248]	101 [46]
Z1201-ND3					
Z1201-NL4	4 [102]	12-1/4 [311]	4-1/8 [105]	8-13/16 [224]	58 [26]
Z1201-NR4					
Z1201-ND4					

PREFIXES	DESCRIPTION	SINGLE	DOUBLE
Z1201*	D.C.C.I. System with 4" Adjustable Coupling	Combine with Fitting Type for Pricing	
ZQ1201	D.C.C.I. System with NPT Faceplate Non-Adjustable Coupling		
FITTING TYPE			
-NL3	3" No-Hub Left-Hand Inlet with Flow to Right	1,795.00	-
-NR3	3" No-Hub Right-Hand Inlet with Flow to Left	1,795.00	-
-ND3	3" No-Hub Back-to-Back Inlet (Double)	-	3,309.00
-NL4	4" No-Hub Left-Hand Inlet with Flow to Right	1,964.00	-
-NR4	4" No-Hub Right-Hand Inlet with Flow to Left	1,964.00	-
-ND4	4" No-Hub Back-to-Back Inlet (Double)	-	3,674.00
SUFFIXES		ADD	
-A	Auxiliary Support Assembly (Required For 'P' Dim. Greater than 18")	1,068.00	2,132.00
-CC	Corrosion Resistant Cast Iron Coupling (2-1/4" to 12")	N/C	N/C
-CE	EZ-SET™ Coupling (6", 12" & 18")	6"	71.00 141.00
		12"	71.00 141.00
		18"	643.00 1,285.00
-CL	Custom Length Standard Coupling with Integral Test Cap (Specify Length 6" or 12")	N/C	N/C
⌚ -CS	2-1/4" Polymer Coupling with Integral Test Cap	N/C	N/C
-G	Galvanized Cast Iron	1,014.00	2,024.00
-JC	2" Auxiliary Inlet with 1/8" Bend (1NL4, 1NR4 Only)	453.00	-
-M	Auxiliary Foot Support (Required For 'P' Dim. 7" - 18")	403.00	801.00
⌚ -RYK17	One Piece Unistrut Pre-Fab Foot Support	N/C	N/C
-VP	Vandal-Proof Trim	173.00	336.00
⌚ -45	Finishing Frame for Siphon Jet System	107.00	208.00
⌚ -50	Flush Valve Supply Support for Water Closet	113.00	221.00
		DEDUCT	
-F	Floor Mounted, Back Outlet Fixture Support	-198.00	-392.00
BEST SELLERS		LIST PRICE	
Z1201-ND4		3,674.00	
Z1201-ND4-CL=12		3,674.00	
Z1201-NL3		1,795.00	
Z1201-NL4		1,964.00	
Z1201-NL4-CL=12		1,964.00	
Z1201-NR4		1,964.00	
Z1201-NR4-CL=12		1,964.00	
ZQ1201-ND4-45-50		4,103.00	
ZQ1201-NR4-45-50		2,184.00	



⌚ Z1200-EZCUTGUIDE†

*Image showing old style carrier

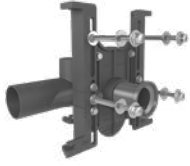


Z1200-CPLGWRNCH-3

Items designated as Best Sellers are most specified and are generally in stock for shipment.
 ⌚ This symbol denotes a product that is engineered to reduce installation and rework time.
 For Additional System Tools See "Z1200 Carrier Tools and Accessories" on page 204

*Regularly furnished unless otherwise specified.
 For additional product information, please visit www.zurn.com

⌚ Z1201-H EZCARRY® ADJUSTABLE HORIZONTAL HIGH PERFORMANCE SIPHON JET – HUB AND SPIGOT SERIES



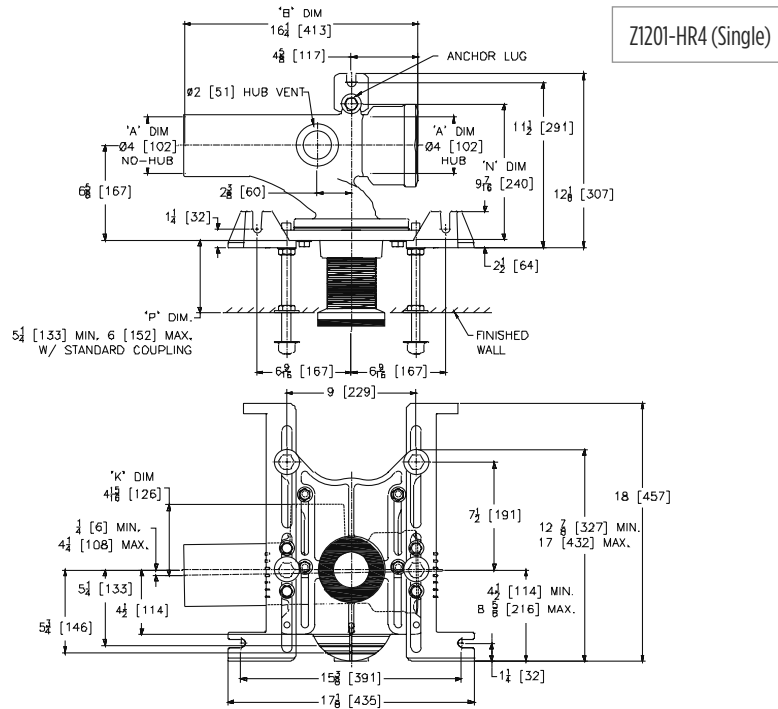
Patented

ENGINEERING SPECIFICATION

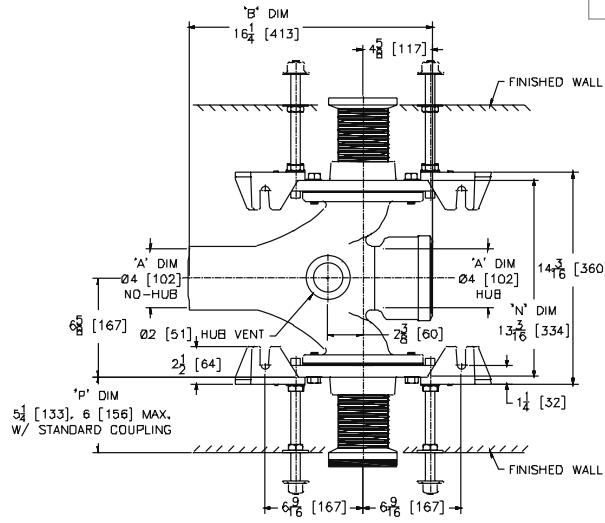
Zurn Z1201-H() EZCarry® horizontal siphon jet water closet carrier system features high performance waterway and 4" hub and spigot connections. System includes Dura-Coated cast iron right-hand, left-hand, or double main fitting with hydro-mechanically optimized sweep and extended 2" vent, adjustable gasketed faceplate, floor mounted pre-fab slotted foot supports with top anchoring pre-fab support base, heavy-duty 1/2" rear anchor tie down, fixture bolts, trim, stud protectors, bonded Neo-Seal gasket, and corrosion resistant adjustable 3" diameter x 6" coupling with integral test cap designed to increase flow velocity and line carry. EZCarry® system complies with the requirements of ASME A112.6.1M, up to a 500 lb static load rating.

NOTES

1. Cut 4" adjustable coupling minimum "P" dimension obtainable = 2". EZ-Set™ coupling, minimum "P" dimension obtainable = 4-1/4" or 2-1/16" for 12" NPT.
2. Feet bolted to floor using minimum 1/2" diameter anchors and back slots on carrier feet.
3. Rear anchor foot required for secure installation.



Z1201-HD4 (Double)



*Regularly furnished unless otherwise specified.

For additional product information, please visit www.zurn.com

Items designated as Best Sellers are most specified and are generally in stock for shipment.

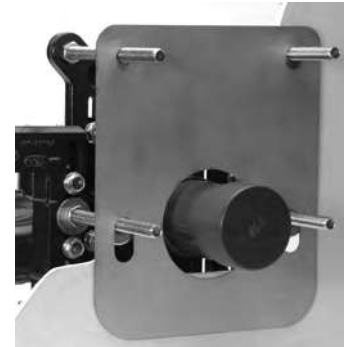
⌚ This symbol denotes a product that is engineered to reduce installation and rework time.

For Additional System Tools See "Z1200 Carrier Tools and Accessories" on page 204

🕒 Z1201-H EZCARRY® ADJUSTABLE HORIZONTAL HIGH PERFORMANCE SIPHON JET – HUB AND SPIGOT SERIES

Product Number	Dimensions in inches [mm]				Approximate Weight lb [kg]
	A	B	K	N	
Z1201-HL4	4 [102]	13-3/4 [349]	4-5/16 [110]	9-1/2 [241]	64 [29]
Z1201-HR4			6-1/8 [156]	13-3/16 [351]	109 [49]
Z1201-HD4					

PREFIXES	DESCRIPTION	SINGLE	DOUBLE
Z1201*	D.C.C.I. System with 4" Adjustable Coupling	Combine with Fitting Type for Pricing	
ZQ1201	D.C.C.I. System with NPT Faceplate, Non-Adjustable Coupling		
FITTING TYPE			
-HL4	4" Hub & Spigot, Left-Hand Inlet with Flow to Right	2,021.00	-
-HR4	4" Hub & Spigot, Right-Hand Inlet with Flow to Left	2,021.00	-
-HD4	4" Hub & Spigot Back-to-Back Inlet (Double)	-	3,771.00
SUFFIXES		ADD	
-A	Auxiliary Support Assembly (Required For 'P' Dim. Greater than 18")	1,068.00	2,132.00
🕒 -CC	Corrosion Resistant Cast Iron Coupling (2-1/4" to 12")	N/C	N/C
-CE	EZ-SET™ Coupling (6", 12" & 18")	6"	71.00 141.00
		12"	71.00 141.00
		18"	643.00 1,285.00
🕒 -CL	Custom Length Standard Coupling with Integral Test Cap (Specify Length 6" or 12")	N/C	N/C
-CS	2-1/4" Polymer Coupling with Integral Test Cap	N/C	N/C
-G	Galvanized Cast Iron	1,014.00	2,024.00
-M	Auxiliary Foot Support (Required For 'P' Dim. 7" thru 18")	403.00	801.00
🕒 -RYK17	One Piece Unistrut Pre-Fab Foot Support	N/C	N/C
-VP	Vandal-Proof Trim	173.00	336.00
🕒 -45	Finishing Frame for Siphon Jet System	107.00	208.00
🕒 -50	Flush Valve Supply Support for Water Closet	113.00	221.00
		DEDUCT	
-F	Floor Mounted, Back Outlet Fixture Support	-198.00	-392.00



🕒 Z1200-EZCUTGUIDE†

*Image showing old style carrier



Z1200-CPLGWRNCH-3

Items designated as Best Sellers are most specified and are generally in stock for shipment.
 🕒 This symbol denotes a product that is engineered to reduce installation and rework time.
 For Additional System Tools See "Z1200 Carrier Tools and Accessories" on page 204

*Regularly furnished unless otherwise specified.
 For additional product information, please visit www.zurn.com

Z1201-N-XB EZCARRY® BARIATRIC CARRIER – 1000 LB ADJUSTABLE HORIZONTAL SIPHON JET – NO-HUB SERIES



Patented

ENGINEERING SPECIFICATION

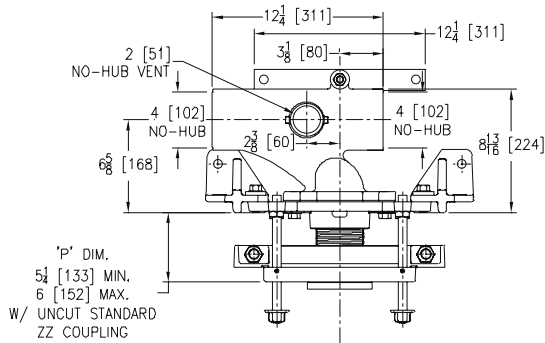
Zurn Z1201-N(-)-XB EZCarry® bariatric horizontal siphon jet water closet carrier system features high performance Dura-Coated cast iron main fitting with hydromechanically optimized sweep, 4" no-hub connections, and extended 2" vent. Corrosion resistant adjustable cast iron coupling is designed to increase flow velocity and line carry. Labor saving Neo-Seal bonded gasket optimizes flow performance, while reducing installation steps. Complete system includes an adjustable, gasketed faceplate, floor mounted foot supports, rigid support frame assembly, extra heavy-duty 1/2" rear anchor tie down, fixture bolts, trim, and stud protectors. EZCarry® XB system complies with all applicable requirements of ASME A112.6.1M up to a 1000 lb maximum static load.

NOTES

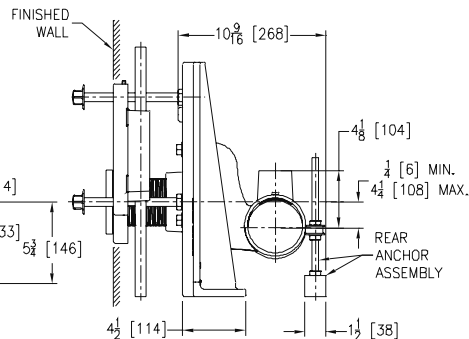
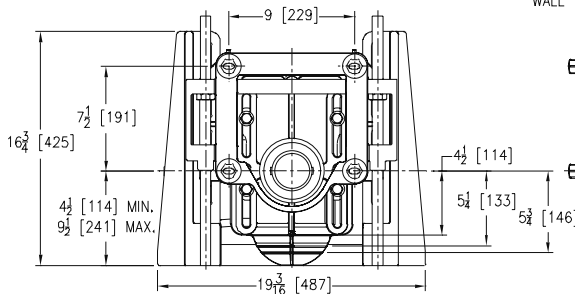
1. Cut 4" adjustable coupling minimum 'P' dimension obtainable = 3".
2. Feet bolted to floor using minimum 1/2" diameter anchors.
3. Rear anchor assembly required for secure installation.
4. Floor anchors must each be able to withstand a pull-out force of 748 lb.
5. Pull-out forces are calculated values with standard coupling assembly. No safety factor has been applied. See Form #C38 for more information.

Product Number	Approximate Weight lb [kg]
Z1201-NL4-XB	100 [45]
Z1201-NR4-XB	
Z1201-ND4-XB	173 [78]

PREFIXES	DESCRIPTION	SINGLE	DOUBLE
Z1201*	D.C.C.I. System with 4" Adjustable Coupling	Combine with Fitting Type for Pricing	
FITTING TYPE			
-NL4-XB	4" No-Hub, Left-Hand Inlet with Flow to Right	5,745.00	-
-NR4-XB	4" No-Hub, Right-Hand Inlet with Flow to Left	5,745.00	-
-ND4-XB	4" No-Hub, Back-to-Back Inlet (Double)	-	11,081.00
SUFFIXES		ADD	
-CC	Corrosion Resistant Cast Iron Coupling (2-1/4" thru 12")	N/C	N/C
-G	Galvanized Cast Iron	1,014.00	2,024.00
-JC	2" Auxiliary Inlet with 1/8" Bend	453.00	-
-VP	Vandal-Proof Trim	173.00	336.00
Ⓢ -50	Flush Valve Supply Support for Water Closet	113.00	221.00



Z1201-NR4-XB (Single)



*Regularly furnished unless otherwise specified.

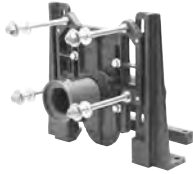
For additional product information, please visit www.zurn.com

Items designated as Best Sellers are most specified and are generally in stock for shipment.

Ⓢ This symbol denotes a product that is engineered to reduce installation and rework time.

For Additional System Tools See "Z1200 Carrier Tools and Accessories" on page 204

Z1201-N-XH EZCARRY® EXTRA HEAVY-DUTY 750 LB ADJUSTABLE HORIZONTAL SIPHON JET – NO-HUB SERIES



Patented

ENGINEERING SPECIFICATION

Zurn Z1201-N(-)-XH EZCarry® extra heavy-duty horizontal siphon jet water closet carrier system features high performance Dura-Coated cast iron main fitting with hydro-mechanically optimized sweep, 4" no-hub connections, and extended 2" vent. Corrosion resistant adjustable 3" diameter x 6" coupling with integral test cap is designed to increase flow velocity and line carry. Labor saving Neo-Seal bonded gasket optimizes flow performance, while reducing installation steps. Complete system includes an adjustable, gasketed faceplate, floor mounted foot supports, extra heavy-duty 1/2" rear anchor tie down, fixture bolts, trim, and stud protectors. EZCarry® XH system complies with all applicable requirements of ASME A112.6.1M up to a 750 lb maximum static load.

NOTES

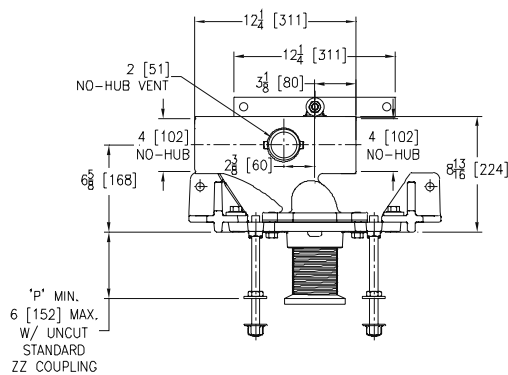
1. Cut 4" adjustable coupling minimum 'P' dimension obtainable = 2". Cut ZQ coupling minimum 'P' dimension obtainable = 5".
2. Feet bolted to floor using minimum 1/2" diameter anchors.
3. Rear anchor assembly required for secure installation.
4. Floor anchors must each be able to withstand a pull-out force of 820 lb.
5. Pull-out forces are calculated values with standard coupling assembly. No safety factor has been applied. See Form #C38 for more information.

Product Number	Approximate Weight lb [kg]
Z1201-NL3-XH	81 [37]
Z1201-NR3-XH	138 [63]
Z1201-ND3-XH	84 [38]
Z1201-NL4-XH	84 [38]
Z1201-NR4-XH	142 [64]
Z1201-ND4-XH	142 [64]

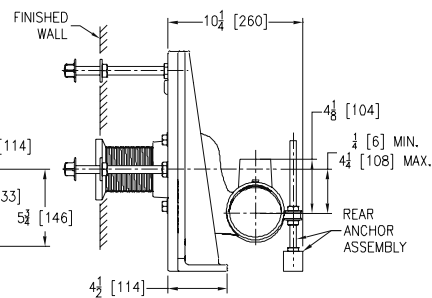
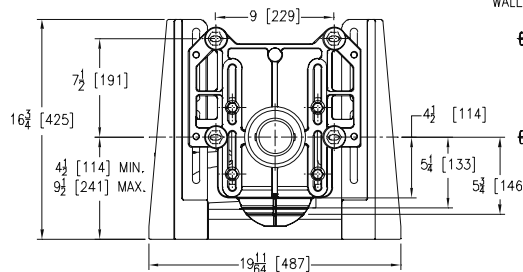
PREFIXES	SINGLE	DOUBLE
Z1201*	D.C.C.I. System with 4" Adjustable Coupling	Combine with Fitting Type for Pricing
ZQ1201	D.C.C.I. System with NPT Faceplate, Non-Adjustable Coupling	

FITTING TYPE			
-NL3-XH	3" No-Hub Left-Hand Inlet with Flow to Right	4,060.00	-
-NR3-XH	3" No-Hub Right-Hand Inlet with Flow to Left	4,060.00	-
-ND3-XH	3" No-Hub Back-to-Back Inlet (Double)	-	7,173.00
-NL4-XH	4" No-Hub Left-Hand Inlet with Flow to Right	4,215.00	-
-NR4-XH	4" No-Hub Right-Hand Inlet with Flow to Left	4,215.00	-
-ND4-XH	4" No-Hub Back-to-Back Inlet (Double)	-	7,541.00

SUFFIXES			ADD
-CC	Corrosion Resistant Cast Iron Coupling (2-1/4" thru 12")	N/C	N/C
-CE	EZ-SET™ Coupling (6", 12" & 18")	6"	71.00 141.00
		12"	71.00 141.00
		18"	643.00 1,285.00
-CL	Custom Length Standard Coupling with Integral Test Cap (Specify length 6" or 12")	N/C	N/C
-CS	2-1/4" Polymer Coupling with Integral Test Cap	N/C	N/C
-G	Galvanized Cast Iron	1,014.00	2,024.00
-JC	2" Auxiliary Inlet with 1/8" Bend	453.00	-
-VP	Vandal-Proof Trim	173.00	336.00
⌚ -45	Finishing Frame for Siphon Jet System	107.00	208.00
⌚ -50	Flush Valve Supply Support for Water Closet	113.00	221.00



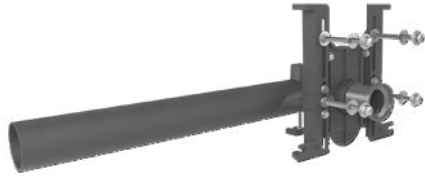
Z1201-NR4-XH (Single)



Items designated as Best Sellers are most specified and are generally in stock for shipment.
 ⌚ This symbol denotes a product that is engineered to reduce installation and rework time.
 For Additional System Tools See "Z1200 Carrier Tools and Accessories" on page 204

*Regularly furnished unless otherwise specified.
 For additional product information, please visit www.zurn.com

ZE1201-N EZCARRY® ADJUSTABLE HORIZONTAL SIPHON JET WITH ELONGATED FITTING – NO-HUB SERIES



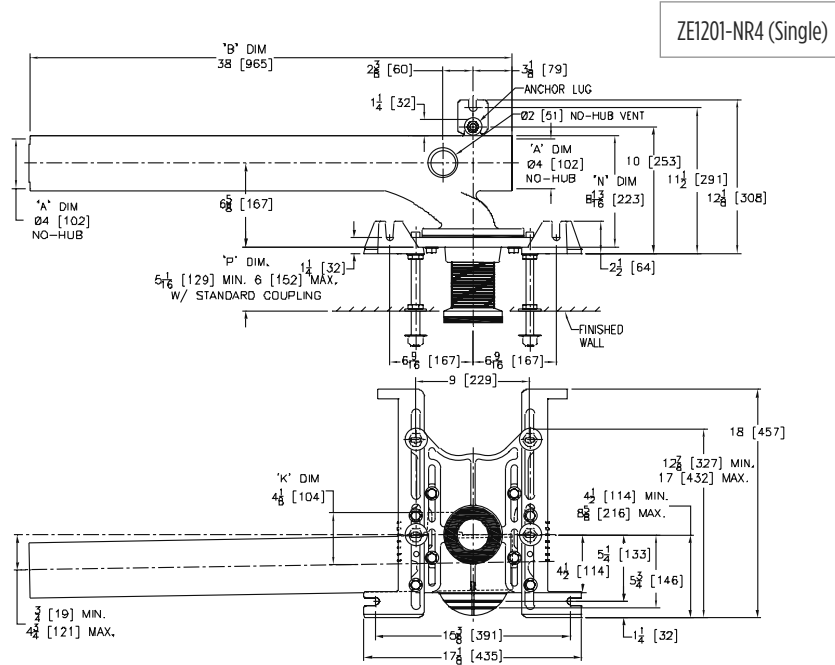
Patent Pending

ENGINEERING SPECIFICATION

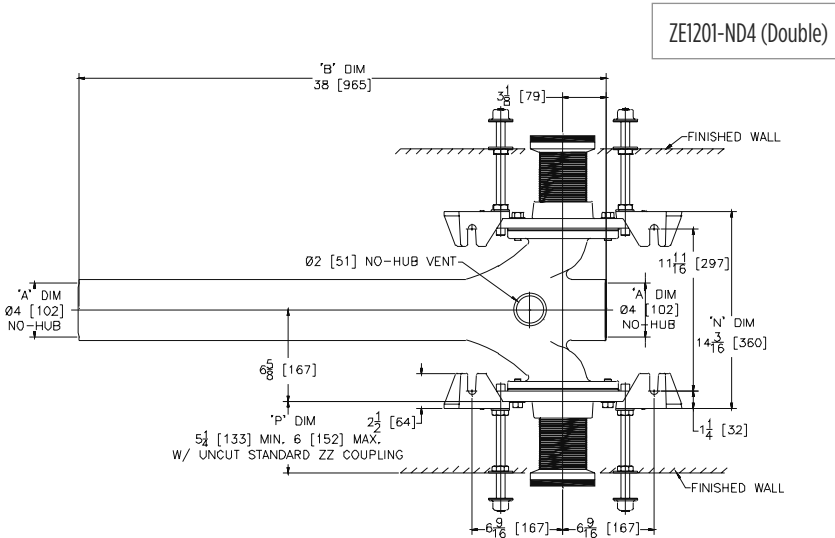
Zurn ZE1201-N() EZCARRY® horizontal siphon jet water closet carrier system features high performance Dura-Coated cast iron main fitting with hydromechanically optimized sweep, 4" no-hub connections, 38" barrel for stall-to-stall direct connection, and extended 2" vent. Corrosion resistant adjustable 3" diameter x 6" coupling with integral test cap is designed to increase flow velocity and line carry. Labor saving Neo-Seal bonded gasket optimizes flow performance, while reducing installation steps. Complete system includes an adjustable, gasketed faceplate, floor mounted foot supports with top anchoring pre-fab support base, heavy-duty 1/2" rear anchor tie down, fixture bolts, trim, and stud protectors. EZCARRY® narrow wall system complies with all applicable requirements of ASME A112.6.1M up to a 500 lb maximum static load.

NOTES

1. Cut 4" adjustable coupling minimum 'P' dimension obtainable = 2". EZ-Set™ coupling, minimum 'P' dimension obtainable = 4-1/4" or 2-1/16" for 12" NPT.
2. Feet bolted to floor using minimum 1/2" diameter anchors.
3. Rear anchor foot required for secure installation.



ZE1201-NR4 (Single)



ZE1201-ND4 (Double)

*Regularly furnished unless otherwise specified.

For additional product information, please visit www.zurn.com

Items designated as Best Sellers are most specified and are generally in stock for shipment.

Ⓒ This symbol denotes a product that is engineered to reduce installation and rework time.

For Additional System Tools See "Z1200 Carrier Tools and Accessories" on page 204

INTRO
 ROOF DRAINS
 FLOOR DRAINS
 T, P, BW VALVES
 INTERCEPTORS
 CARRIERS
 HYDRANTS
 CLEANOUTS
 WHA
 SS DRAINS
 SANI-FLOOR
 TECH INFO

⌚ **ZE1201-N EZCARRY® ADJUSTABLE HORIZONTAL SIPHON JET WITH ELONGATED FITTING – NO-HUB SERIES**

Product Number	Approximate Weight lb [kg]
ZE1201-NL4	97 [44]
ZE1201-NR4	
ZE1201-ND4	119 [54]



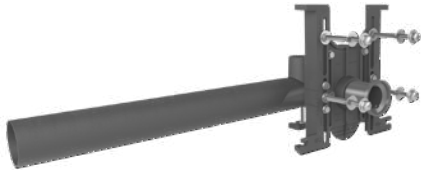
Z1200-CPLGWRNCH-3

PREFIXES	DESCRIPTION	SINGLE	DOUBLE
ZE1201*	D.C.C.I. Elongated Fitting System with 4" Adjustable Coupling	Combine with Fitting Type for Pricing	
ZQE1201	D.C.C.I. System with NPT Faceplate, Non-Adjustable Coupling		
FITTING TYPE			
-NL4	4" No-Hub Left-Hand Inlet with Flow to Right	2,435.00	-
-NR4	4" No-Hub Right-Hand Inlet with Flow to Left	2,435.00	-
-ND4	4" No-Hub Back-to-Back Inlet (Double)	-	4,017.00
SUFFIXES		ADD	
-A	Auxiliary Support Assembly (Required For 'P' Dim. Greater than 18")	1,068.00	2,132.00
-CC	Corrosion Resistant Cast Iron Coupling (2-1/4" thru 12")	N/C	N/C
-CE	EZ-SET™ Coupling (6", 12" & 18")	6"	71.00
		12"	71.00
		18"	643.00
-CL	Custom Length Standard Coupling with Integral Test Cap (Specify Length 6" or 12")	N/C	N/C
⌚ -CS	2-1/4" Polymer Coupling with Integral Test Cap	N/C	N/C
-G	Galvanized Cast Iron	1,014.00	2,024.00
-M	Auxiliary Foot Support (Required For 'P' Dim. 7" thru 18")	403.00	801.00
⌚ -RYK17	One Piece Unistrut Pre-Fab Foot Support	N/C	N/C
-VP	Vandal-Proof Trim	173.00	336.00
⌚ -45	Finishing Frame for Siphon Jet System	107.00	208.00
⌚ -50	Flush Valve Supply Support for Water Closet	113.00	221.00
		DEDUCT	
-F	Floor Mounted, Back Outlet Fixture Support	-198.00	-392.00
BEST SELLERS		LIST PRICE	
ZE1203-ND4		4,017.00	
ZE1203-ND4-CL=12		4,017.00	
ZE1203-NL4		2,435.00	

Items designated as Best Sellers are most specified and are generally in stock for shipment.
 ⌚ This symbol denotes a product that is engineered to reduce installation and rework time.
 For Additional System Tools See "Z1200 Carrier Tools and Accessories" on page 204

*Regularly furnished unless otherwise specified.
 For additional product information, please visit www.zurn.com

ZE1201-H EZCARRY® ADJUSTABLE HORIZONTAL SIPHON JET WITH ELONGATED FITTING – HUB AND SPIGOT SERIES



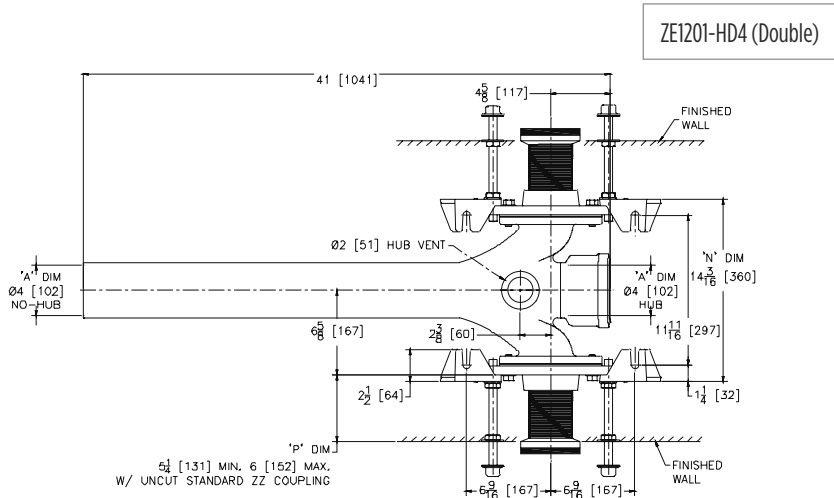
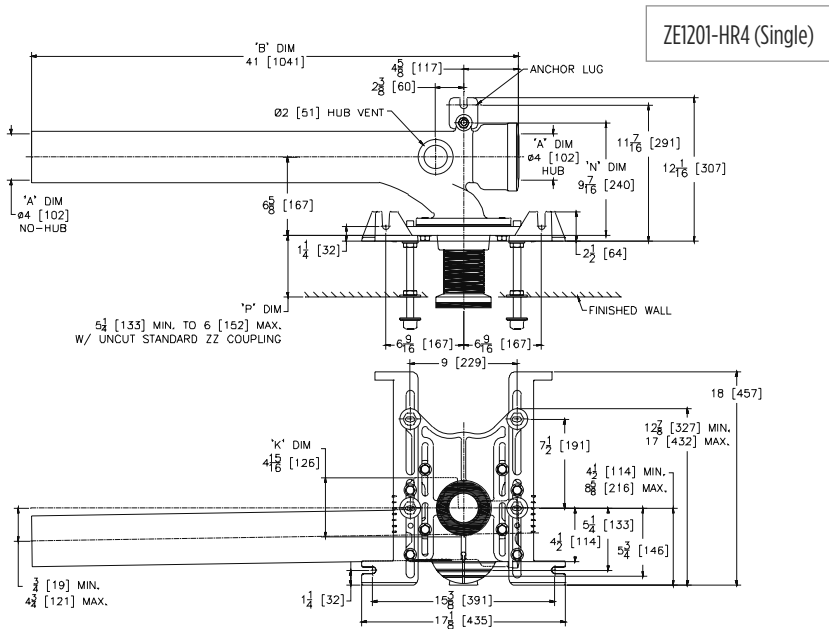
Patent Pending

ENGINEERING SPECIFICATION

Zurn ZE1201-H() EZCarry® horizontal siphon jet water closet carrier system, with high performance Dura-Coated cast iron main fitting with hydromechanically optimized sweeps, 4" Hub & Spigot connections, 3/8" barrel for stall to stall direct connection, and extended 2" vent. Corrosion resistant adjustable 3" diameter x 6" coupling with integral test cap, designed to increase flow velocity and line carry, and labor saving Neo-Seal bonded gasket optimize flow performance, while reducing installation steps. Complete system includes an adjustable, gasketed faceplate, floor mounted foot supports with top anchoring pre-fab support base, heavy-duty 1/2" rear anchor tie down, fixture bolts, trim, and stud protectors. EZCarry® narrow wall system complies with all applicable requirements of ASME A112.6.1M up to a 500 lb. maximum static load.

NOTES

1. 4" adjustable coupling minimum "P" dimension obtainable = 2". EZ-Set™ coupling, minimum 'P' dimension obtainable = 4-1/4" or 2-1/16" for 12" NPT.
2. Feet bolted to floor using minimum 1/2" diameter anchors.
3. Rear anchor foot required for secure installation.



*Regularly furnished unless otherwise specified.

For additional product information, please visit www.zurn.com

Items designated as Best Sellers are most specified and are generally in stock for shipment.

⌚ This symbol denotes a product that is engineered to reduce installation and rework time.

For Additional System Tools See "Z1200 Carrier Tools and Accessories" on page 204

⌚ **ZE1201-H EZCARRY® ADJUSTABLE HORIZONTAL SIPHON JET WITH ELONGATED FITTING – HUB AND SPIGOT SERIES**

Product Number	Approximate Weight lb [kg]
ZE1201-HL4	99 [45]
ZE1201-HR4	
ZE1201-HD4	125 [57]



Z1200-CPLGWRNCH-3

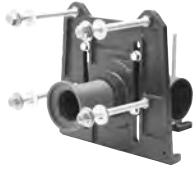
PREFIXES	DESCRIPTION	SINGLE	DOUBLE
ZE1201*	D.C.C.I. System with 4" Adjustable Coupling	Combine with Fitting Type for Pricing	
ZQE1201	D.C.C.I. System with NPT Faceplate, Non-Adjustable Coupling		
FITTING TYPE			
-HL4	4" Caulk, Right-Hand Inlet with Flow to Left	2,720.00	-
-HR4	4" Caulk, Left-Hand Inlet with Flow to Right	2,720.00	-
-HD4	4" Caulk, Back-to-Back Inlet (Double)	-	4,731.00
SUFFIXES		ADD	
-A	Auxiliary Support Assembly (Required For 'P' Dim. Greater than 18")	1,068.00	2,132.00
-CC	Corrosion Resistant Cast Iron Coupling (2-1/4" thru 12")	N/C	N/C
-CE	EZ-SET™ Coupling (6", 12" & 18")	6"	71.00 141.00
		12"	71.00 141.00
		18"	643.00 1,285.00
-CL	Custom Length Standard Coupling with Integral Test Cap (Specify Length 6" or 12")	N/C	N/C
⌚ -CS	2-1/4" Polymer Coupling with Integral Test Cap	N/C	N/C
-G	Galvanized Cast Iron	1,014.00	2,024.00
-M	Auxiliary Foot Support (Required For 'P' Dim. 7" thru 18")	403.00	801.00
⌚ -RYK17	One Piece Unistrut Pre-Fab Foot Support	N/C	N/C
-VP	Vandal-Proof Trim	173.00	336.00
⌚ -45	Finishing Frame for Siphon Jet System	107.00	208.00
⌚ -50	Flush Valve Supply Support for Water Closet	113.00	221.00
		DEDUCT	
-F	Floor Mounted, Back Outlet Fixture Support	-198.00	-392.00
BEST SELLERS		LIST PRICE	
ZE1201-HL4		2,720.00	
ZE1201-HR4		2,720.00	
ZE1203-HD4		4,731.00	
ZE1203-HL4		2,720.00	
ZE1203-HR4		2,720.00	

Items designated as Best Sellers are most specified and are generally in stock for shipment.
 ⌚ This symbol denotes a product that is engineered to reduce installation and rework time.
 For Additional System Tools See "Z1200 Carrier Tools and Accessories" on page 204

*Regularly furnished unless otherwise specified.
 For additional product information, please visit www.zurn.com

INTRO
 ROOF DRAINS
 FLOOR DRAINS
 T, P, BW VALVES
 INTERCEPTORS
 CARRIERS
 HYDRANTS
 CLEANOUTS
 WHA
 SS DRAINS
 SANI-FLOOR
 TECH INFO

ZF1201-N EZCARRY® HORIZONTAL SIPHON JET ONE-PIECE CARRIER – NO-HUB SERIES



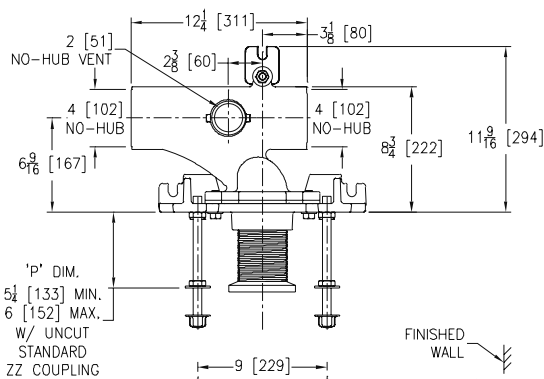
Patent Pending

ENGINEERING SPECIFICATION

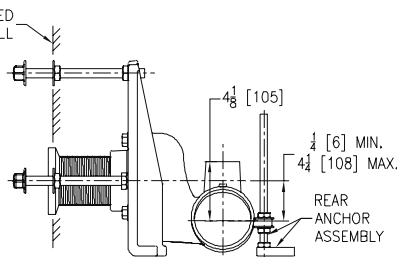
Zurn ZF1201-N() EZCarry® one-piece combination floor mounted foot/faceplate horizontal siphon jet water closet carrier system, supplied for () rough-in height, features high performance Dura-Coated cast iron main fitting with hydro-mechanically optimized sweep, 4" no-hub connections, and extended 2" vent. Corrosion resistant adjustable 3" diameter x 6" coupling with integral test cap is designed to increase flow velocity and line carry. Labor saving Neo-Seal bonded gasket optimize flow performance, while reducing installation steps. Complete system includes one-piece combination foot/faceplate, heavy-duty 1/2" rear anchor tie down, fixture bolts, trim and stud protectors. EZCarry® one-piece combination floor mounted foot/faceplate system complies with all applicable requirements of ASME A112.6.1M up to a 500 lb maximum static load.

NOTES

1. Cut 4" adjustable coupling minimum "P" dimension obtainable = 2". EZ-Set™ coupling, minimum 'P' dimension obtainable = 4-1/4" or 2-1/16" for 12" NPT.
2. Faceplate bolted to floor using minimum 1/2" diameter anchors.
3. Rear anchor assembly required for secure installation.



ZF1201-NR4-F75 (Single)



Product Number	Dimensions in inches [mm]		Approximate Weight lb [kg]
	A	B	
ZF1201-NL4-F55	5-1/2 [140]	13-7/8 [352]	72 [33]
ZF1201-NR4-F55			93 [42]
ZF1201-ND4-F55			76 [34]
ZF1201-NL4-F75	7-1/2 [191]	15-7/8 [403]	76 [34]
ZF1201-NR4-F75			100 [45]
ZF1201-ND4-F75			

PREFIXES	DESCRIPTION	SINGLE	DOUBLE
ZF1201*	D.C.C.I. System with 4" Adjustable Coupling	Combine with Fitting Type for Pricing	
ZQF1201	D.C.C.I. System with NPT Faceplate Non-Adjustable Coupling		
FITTING TYPE			
-NL4-F55	4" No-Hub Left-Hand Inlet with Flow to Right w/ 5-1/2" Non-Adjustable Rough-In Height	1,964.00	-
-NR4-F55	4" No-Hub Right Hand Inlet with Flow to Left w/ 5-1/2" Non-Adjustable Rough-In Height	1,964.00	-
-ND4-F55	4" No-Hub Back-to-back Double Inlet with 5-1/2" Non-Adjustable Rough-In Height	-	3,674.00
-NL4-F75	4" No-Hub Left Hand Inlet with Flow to Right w/ 7-1/2" Non-Adjustable Rough-In Height	1,964.00	-
-NR4-F75	4" No-Hub Right Hand Inlet with Flow to Left w/ 7-1/2" Non-Adjustable Rough-In Height	1,964.00	-
-ND4-F75	4" No-Hub Back-to-back Double Inlet with 7-1/2" Non-Adjustable Rough-In Height	-	3,674.00
SUFFIXES		ADD	
-A	Auxiliary Support Assembly (Required For 'P' Dim. Greater than 18")	1,068.00	2,132.00
-CC	Corrosion Resistant Cast Iron Coupling (2-1/4" thru 12")	N/C	N/C
-CE	EZ-SET™ Coupling (6", 12" & 18")	6"	71.00 141.00
		12"	71.00 141.00
		18"	643.00 1,285.00
-CL	Custom Length Standard Coupling with Integral Test Cap (Specify Length 6" or 12")	N/C	N/C
-CS	2-1/4" Polymer Coupling with Integral Test Cap	N/C	N/C
-G	Galvanized Cast Iron	1,014.00	2,024.00
-JC	2" Auxiliary Inlet with 1/8" Bend	453.00	-
-M	Auxiliary Foot Support (Required For 'P' Dim. 10" thru 18")	403.00	801.00
-VP	Vandal-Proof Trim	173.00	336.00
-45	Finishing Frame for Siphon Jet System	107.00	208.00
-50	Flush Valve Supply Support for Water Closet	113.00	221.00
		DEDUCT	
-F	Floor Mounted, Back Outlet Fixture Support	-198.00	-392.00

*Regularly furnished unless otherwise specified.

For additional product information, please visit www.zurn.com

Items designated as Best Sellers are most specified and are generally in stock for shipment.

Ⓢ This symbol denotes a product that is engineered to reduce installation and rework time.

For Additional System Tools See "Z1200 Carrier Tools and Accessories" on page 204

🕒 **ZN1201-N EZCARRY® ADJUSTABLE HORIZONTAL SIPHON JET – NO-HUB NARROW WALL SYSTEM (9-3/8" DEPTH FRONT TO BACK)**



Patent Pending

ENGINEERING SPECIFICATION

Zurn ZN1201-N()4 EZCarry® narrow wall horizontal siphon jet water closet carrier system features high performance Dura-Coated cast iron main fitting with hydro-mechanically optimized sweep, 4" no-hub connections, and extended 2" vent. Corrosion resistant adjustable 3" diameter x 6" coupling with integral test cap is designed to increase flow velocity and line carry. Labor saving Neo-Seal bonded gasket optimize flow performance while reducing installation steps. Complete system includes an adjustable, gasketed faceplate, floor mounted foot supports, fixture bolts, trim, and stud protectors. EZCarry® narrow wall system complies with all applicable requirements of ASME A112.6.1M up to a 500 lb maximum static load.

NOTES

1. Cut 4" adjustable coupling minimum 'P' dimension obtainable = 1-1/4".
2. Carrier floor anchors must each be able to withstand a pull-out force of 1741 lb.
3. Pull-out forces are calculated values with standard coupling assembly. No safety factor has been applied. See Form #C38 for more information.

Product Number	Approximate Weight lb [kg]
ZN1201-NL4	75 [34]
ZN1201-NR4	
ZN1201-ND4	140 [64]

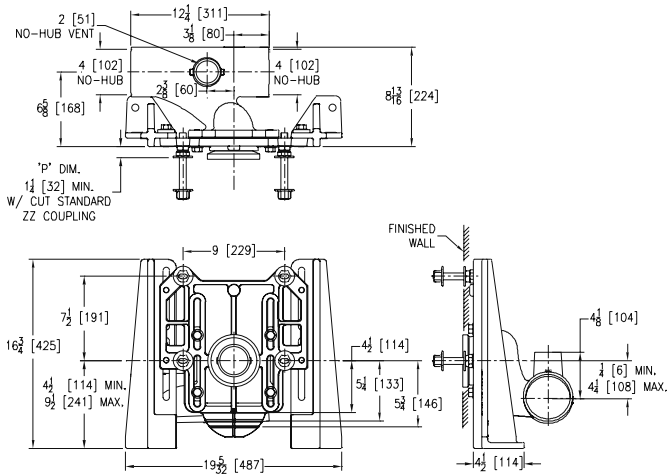
PREFIXES	DESCRIPTION	SINGLE	DOUBLE
ZN1201*	D.C.C.I. System with 4" Adjustable Coupling	Combine with Fitting Type for Pricing	

FITTING TYPE			
-NL4	4" No-Hub Left-Hand Inlet w/Flow to Right for Narrow Wall	2,351.00	-
-NR4	4" No-Hub Right-Hand Inlet w/Flow to Left for Narrow Wall	2,351.00	-
-ND4	4" No-Hub Back-to-Back Inlet (Double for Narrow Wall)	-	4,236.00

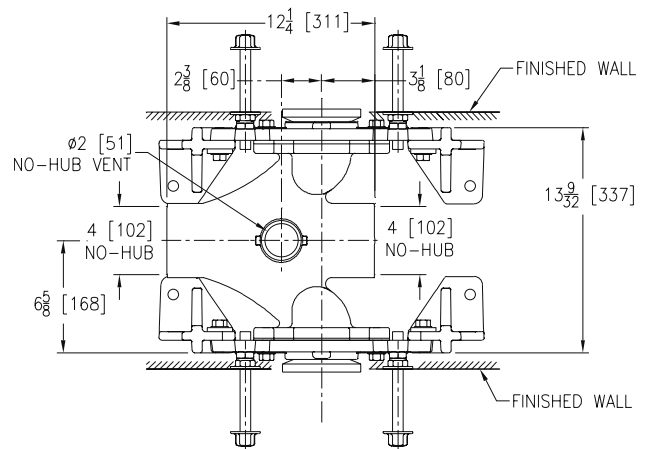
SUFFIXES		N/C	ADD
-CC	Corrosion Resistant Cast Iron Coupling (2-1/4" thru 12")	N/C	N/C
-CS	2-1/4" Polymer Coupling with Integral Test Cap	N/C	N/C
-G	Galvanized Cast Iron	1,014.00	2,024.00
-JC	2" Auxiliary Inlet with 1/8" Bend	453.00	-
-VP	Vandal-Proof Trim	173.00	336.00
-50	Flush Valve Supply Support for Water Closet	113.00	221.00

BEST SELLERS	LIST PRICE
ZN1201-ND4	4,236.00
ZN1201-NL4	2,351.00
ZN1201-NR4	2,351.00

ZN1201-NR4 (Single)



ZN1201-ND4 (Double)



Items designated as Best Sellers are most specified and are generally in stock for shipment.
 🕒 This symbol denotes a product that is engineered to reduce installation and rework time.
 For Additional System Tools See "Z1200 Carrier Tools and Accessories" on page 204

*Regularly furnished unless otherwise specified.
 For additional product information, please visit www.zurn.com

INTRO
 ROOF DRAINS
 FLOOR DRAINS
 T, P, BW VALVES
 INTERCEPTORS
 CARRIERS
 HYDRANTS
 CLEANOUTS
 WHA
 SS DRAINS
 SANI-FLOOR
 TECH INFO

Ⓢ Z1202-N EZCARRY® ADJUSTABLE VERTICAL HIGH PERFORMANCE SIPHON JET – NO-HUB SERIES



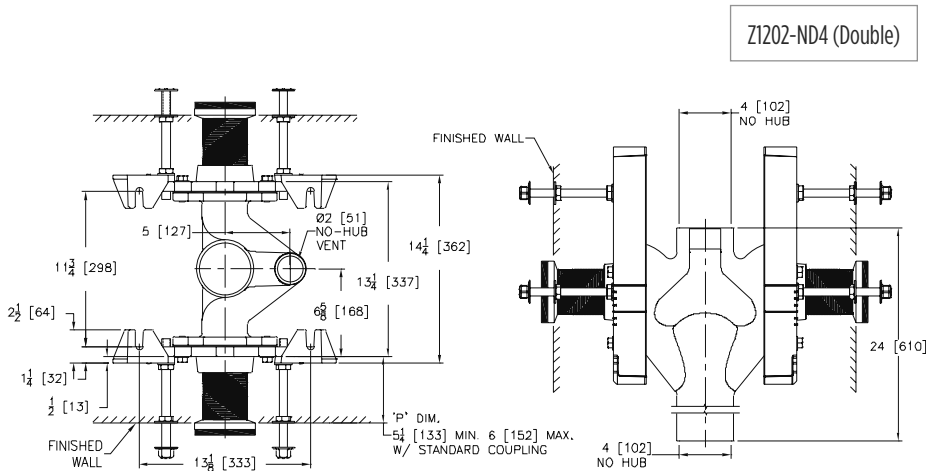
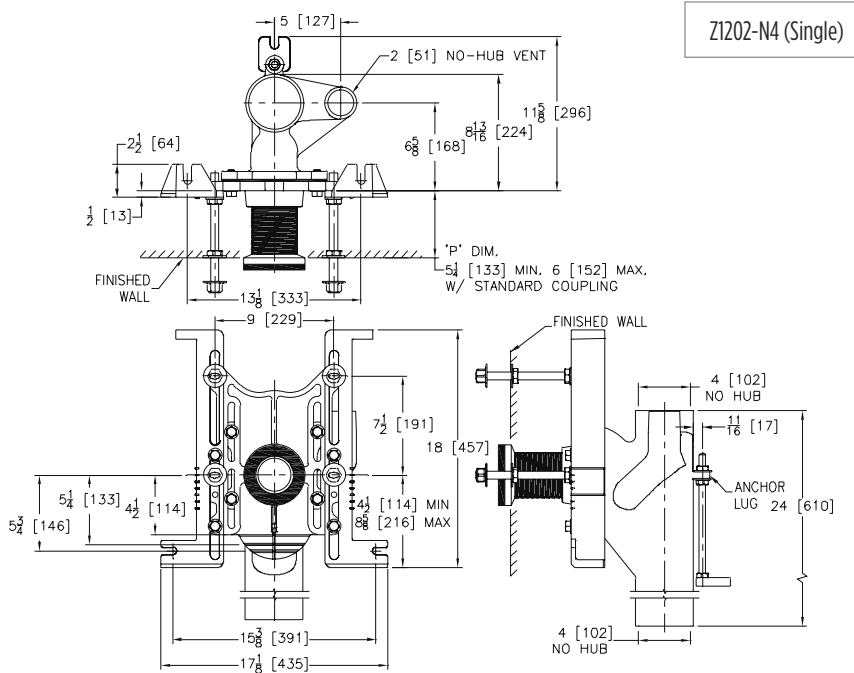
Patented

ENGINEERING SPECIFICATION

Zurn Z1202-(N) EZCarry® vertical siphon jet water closet carrier system features high performance waterway and 4" no-hub connections. System includes Dura-Coated cast iron right-hand, left-hand, or double main fitting with hydro-mechanically optimized sweep and extended 2" vent, adjustable gasketed faceplate, floor mounted pre-fab slotted foot supports with top anchoring pre-fab support base, heavy-duty 1/2" rear anchor tie down, fixture bolts, trim, stud protectors, bonded Neo-Seal gasket, and corrosion resistant adjustable 3" diameter x 6" coupling with integral test cap designed to increase flow velocity and line carry. EZCarry system complies with the requirements of ASME A112.6.1M, up to a 500 lb static load rating.

NOTES

1. Cut 4" adjustable coupling minimum "P" dimension obtainable = 2". EZ-Set™ coupling, minimum "P" dimension obtainable = 4-1/4" or 2-1/16" for 12" NPT.
2. Feet bolted to floor using minimum 1/2" diameter anchors and back slots on carrier feet.
3. Rear anchor foot required for secure installation.
4. 2" no-hub vent connection regularly furnished on right-hand side. Left-hand available when specified (Suffix -VL).
5. Auxiliary inlet available right (-JR) or left (-JL) or both sides (-JJ) when specified.



*Regularly furnished unless otherwise specified.

For additional product information, please visit www.zurn.com

Items designated as Best Sellers are most specified and are generally in stock for shipment.

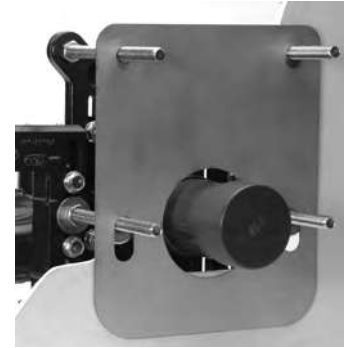
Ⓢ This symbol denotes a product that is engineered to reduce installation and rework time.

For Additional System Tools See "Z1200 Carrier Tools and Accessories" on page 204

Ⓢ Z1202-N EZCARRY® ADJUSTABLE VERTICAL HIGH PERFORMANCE SIPHON JET – NO-HUB SERIES

Product Number	Dimensions in inches [mm]								Approx. Wt. lb [kg]	
	A	B	D	E	H	J	K	N		
Z1202-N4	4 [102]	-	5 [127]	6-9/16 [167]	-	24 [610]	-	8-3/4	73 [33]	
Z1202-ND4		-			-		-	13-1/8	119 [54]	
Z1202-1NL4		-			-		-	8-3/4	74 [34]	
Z1202-1NR4		4 [102]	4 [102]		5 [127]	7-9/16 [192]	15-1/2 [394]	15-1/2 [394]	13-1/8	120 [54]
Z1202-1ND4		8-3/4				78 [35]				
Z1202-2N4		13-1/8				120 [54]				
Z1202-2ND4		13-1/8				120 [54]				

PREFIXES	DESCRIPTION	SINGLE	DOUBLE
Z1202*	D.C.C.I. System with 4" Adjustable Coupling	Combine with Fitting Type for Pricing	
ZQ1202	D.C.C.I. System with NPT Faceplate Non-Adjustable Coupling		
FITTING TYPE			
-N4	4" No-Hub Stack, Single Inlet, 2" Right-Hand Vent	2,224.00	-
-ND4	4" No-Hub Stack, Double Inlets, 2" Vent	-	3,934.00
-1NL4	4" No-Hub Stack, Single Inlet, 4" Left-Hand Side Inlet, 2" Left-Hand Vent	2,609.00	-
-1NR4	4" No-Hub Stack, Single Inlet, 4" Right-Hand Side Inlet, 2" Right-Hand Vent	2,609.00	-
-1ND4	4" No-Hub Stack, Double Inlets, 4" Side Inlet, 2" Vent	-	4,301.00
-2N4	4" No-Hub Stack, Single Inlet, Two 4" Side Inlets, 2" Right-Hand Vent	2,986.00	-
-2ND4	4" No-Hub Stack, Double Inlets, Two 4" Side Inlets, 2" Vent	-	4,683.00
SUFFIXES			ADD
-A	Auxiliary Support Assembly (Required For 'P' Dim. Greater than 18")	1,068.00	2,132.00
-CC	Corrosion Resistant Cast Iron Coupling (2-1/4" thru 12")	N/C	N/C
-CE	EZ-SET™ Coupling (6", 12" & 18")	6"	71.00 141.00
		12"	71.00 141.00
		18"	643.00 1,285.00
-CL	Custom Length Standard Coupling with Integral Test Cap (Specify Length 6" or 12")	N/C	N/C
Ⓢ -CS	2-1/4" Polymer Coupling with Integral Test Cap	N/C	N/C
-G	Galvanized Cast Iron	1,014.00	2,024.00
-JJ	Two 2" Auxiliary Inlets (N4, ND4 Only)	898.00	898.00
-JL	2" Left-Hand Auxiliary Inlet (N4, ND4 Only)	453.00	453.00
-JR	2" Right-Hand Auxiliary Inlet (N4, ND4 Only)	453.00	453.00
-M	Auxiliary Foot Support (Required For 'P' Dim. 7" thru 18")	403.00	801.00
Ⓢ -RYK17	One Piece Unistrut Pre-Fab Foot Support	N/C	N/C
-VL	Left-Hand Vent Connection (N4, 1NR4, 2N4 Only)	N/C	N/C
-VP	Vandal-Proof Trim	173.00	336.00
Ⓢ -45	Finishing Frame for Siphon Jet System	107.00	208.00
Ⓢ -50	Flush Valve Supply Support for Water Closet	113.00	221.00
		DEDUCT	
-F	Floor Mounted, Back Outlet Fixture Support	-198.00	-392.00
BEST SELLERS		LIST PRICE	
Z1202-1NL4		2,609.00	
Z1202-1NR4		2,609.00	
Z1202-1NR4-CL=12		2,609.00	
Z1202-2N4		2,986.00	
Z1202-2N4-CL=12		2,986.00	
Z1202-2ND4		4,683.00	
Z1202-N4		2,224.00	
Z1202-N4-CL=12		2,224.00	
Z1202-ND4		3,934.00	



Ⓢ Z1200-EZCUTGUIDE†

*Image showing old style carrier



Z1200-CPLGWRNCH-3

Items designated as Best Sellers are most specified and are generally in stock for shipment.
 Ⓢ This symbol denotes a product that is engineered to reduce installation and rework time.
 For Additional System Tools See "Z1200 Carrier Tools and Accessories" on page 204

*Regularly furnished unless otherwise specified.
 For additional product information, please visit www.zurn.com

INTRO
 ROOF DRAINS
 FLOOR DRAINS
 I, P, BW VALVES
 INTERCEPTORS
 CARRIERS
 HYDRANTS
 CLEANOUTS
 WHA
 SS DRAINS
 SANI-FLOOR
 TECH INFO

Ⓢ Z1202-H EZCARRY® ADJUSTABLE VERTICAL HIGH PERFORMANCE SIPHON JET – HUB AND SPIGOT SERIES



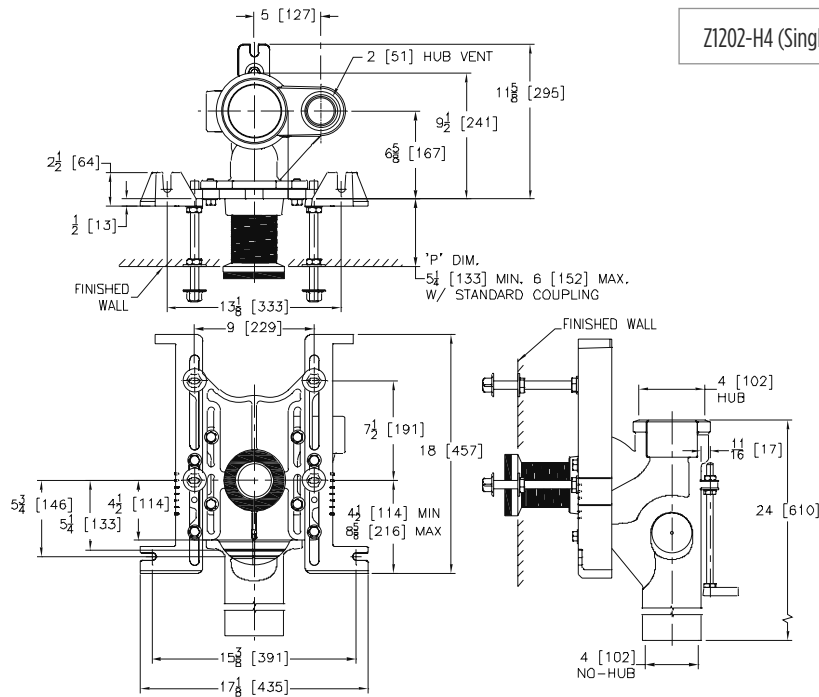
Patented

ENGINEERING SPECIFICATION

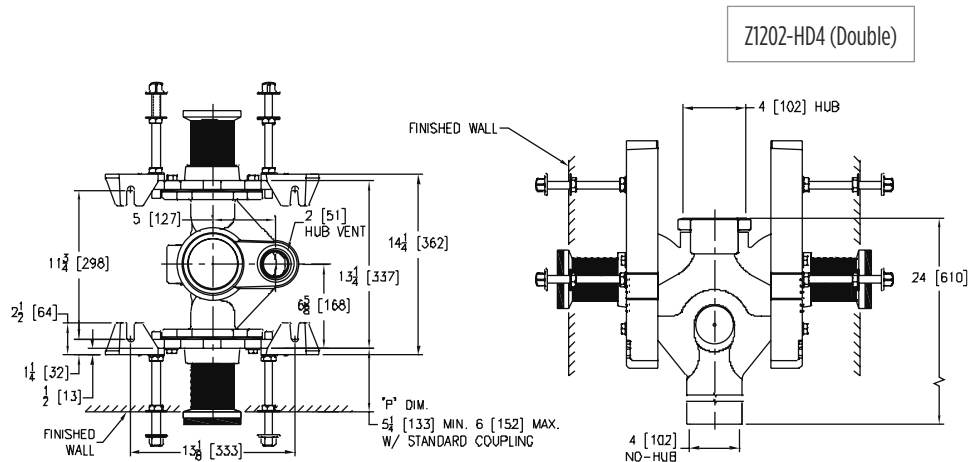
Zurn Z1202-()H EZCarry® vertical siphon jet water closet carrier system features a high performance waterway and 4" hub and spigot connections. System includes Dura-Coated cast iron right-hand, left-hand, or double main fitting with hydro-mechanically optimized sweep and extended 2" vent, adjustable gasketed faceplate, floor mounted pre-fab slotted foot supports with top anchoring pre-fab support base, heavy-duty 1/2" rear anchor tie down, fixture bolts, trim, stud protectors, bonded Neo-Seal gasket, and corrosion resistant adjustable 3" diameter x 6" coupling with integral test cap designed to increase flow velocity and line carry. EZCarry system complies with the requirements of ASME A112.6.1M, up to a 500 lb static load rating.

NOTES

1. Cut 4" adjustable coupling minimum "P" dimension obtainable = 2". EZ-Set™ coupling, minimum "P" dimension obtainable = 4-1/4" or 2-1/16" for 12" NPT.
2. Feet bolted to floor using minimum 1/2" diameter anchors and back slots on carrier feet.
3. Rear anchor foot required for secure installation.
4. 2" Hub & Spigot vent connection regularly furnished on right-hand side. Left-hand available when specified (Suffix -VL).
5. Auxiliary inlet available right (-JR) or left (-JL) or both sides (-JJ) when specified.



Z1202-H4 (Single)



Z1202-HD4 (Double)

*Regularly furnished unless otherwise specified.

For additional product information, please visit www.zurn.com

Items designated as Best Sellers are most specified and are generally in stock for shipment.

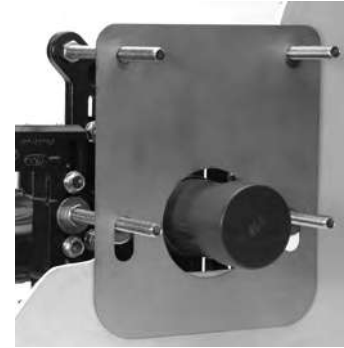
Ⓢ This symbol denotes a product that is engineered to reduce installation and rework time.

For Additional System Tools See "Z1200 Carrier Tools and Accessories" on page 204

⌚ Z1202-H EZCARRY® ADJUSTABLE VERTICAL HIGH PERFORMANCE SIPHON JET – HUB AND SPIGOT SERIES

Product Number	Dimensions in inches [mm]								Approx. Wt. lb [kg]	
	A	B	D	E	H	J	K	N		
Z1202-H4	4 [102]	-		6-9/16 [167]	-	24 [610]	-	9-7/16 [240]	79 [36]	
Z1202-HD4		-		6-11/16 [170]	-		-	13-3/8 [340]	125 [57]	
Z1202-1HL4		4 [102]			6-9/16 [167]		7-9/16 [192]	15-1/2 [394]	9-7/16 [240]	88 [40]
Z1202-1HR4					6-11/16 [170]				13-3/8 [340]	132 [60]
Z1202-1HD4					6-9/16 [167]				9-7/16 [240]	104 [47]
Z1202-2H4					6-11/16 [170]				13-3/8 [340]	147 [67]
Z1202-2HD4										

PREFIXES	DESCRIPTION	SINGLE	DOUBLE
Z1202*	D.C.C.I. System with 4" Adjustable Coupling	Combine with Fitting Type for Pricing	
ZQ1202	D.C.C.I. System with NPT Faceplate Non-Adjustable Coupling		
FITTING TYPE			
-H4	4" Hub and Spigot Stack, Single Inlet, 2" Right-Hand Vent	2,392.00	-
-HD4	4" Hub and Spigot Stack, Double Inlets, 2" Vent	-	4,134.00
-1HD4	4" Hub and Spigot Stack, Double Inlets, 4" Side Inlet, 2" Vent	-	4,519.00
-1HL4	4" Hub and Spigot Stack, Single Inlet, 4" Left-Hand Side Inlet, 2" Left-Hand Vent	2,777.00	-
-1HR4	4" Hub and Spigot Stack, Single Inlets, 4" Right-Hand Side Inlet, 2" Right-Hand Vent	2,777.00	-
-2H4	4" Hub and Spigot Stack, Single Inlet, Two 4" Side Inlets, 2" Right-Hand Vent	3,166.00	-
-2HD4	4" Hub and Spigot Stack, Double Inlets, Two 4" Side Inlets, 2" Vent	-	4,910.00
SUFFIXES		ADD	
-A	Auxiliary Support Assembly (Required For 'P' Dim. Greater than 18")	1,068.00	2,132.00
-CC	Corrosion Resistant Cast Iron Coupling (2-1/4" thru 12")	N/C	N/C
-CE	EZ-SET™ Coupling (6", 12" & 18")	6"	71.00 141.00
		12"	71.00 141.00
		18"	643.00 1,285.00
-CL	Custom Length Standard Coupling with Integral Test Cap (Specify Length 6" or 12")	N/C	N/C
⌚ -CS	2-1/4" Polymer Coupling with Integral Test Cap	N/C	N/C
-G	Galvanized Cast Iron	1,014.00	2,024.00
-JJ	Two 2" Auxiliary Inlets (H4, HD4 Only)	898.00	898.00
-JL	2" Left-Hand Auxiliary Inlet (H4, HD4, 1HR4 Only)	453.00	453.00
-JR	2" Right-Hand Auxiliary Inlet (H4, HD4, 1HR4 Only)	453.00	453.00
-M	Auxiliary Foot Support (Required For 'P' Dim. 7" thru 18")	403.00	801.00
⌚ -RYK17	One Piece Unistrut Pre-Fab Foot Support	N/C	N/C
-VL	Left-Hand Vent Connection (H4, 1HR4, 2H4 Only)	N/C	N/C
-VP	Vandal-Proof Trim	173.00	336.00
⌚ -45	Finishing Frame for Siphon Jet System	107.00	208.00
⌚ -50	Flush Valve Supply Support for Water Closet	113.00	221.00
		DEDUCT	
-F	Floor Mounted, Back Outlet Fixture Support	-198.00	-392.00



⌚ Z1200-EZCUTGUIDE+

*Image showing old style carrier



Z1200-CPLGWRNCH-3

Items designated as Best Sellers are most specified and are generally in stock for shipment.
 ⌚ This symbol denotes a product that is engineered to reduce installation and rework time.
 For Additional System Tools See "Z1200 Carrier Tools and Accessories" on page 204

*Regularly furnished unless otherwise specified.
 For additional product information, please visit www.zurn.com

INTRO
 ROOF DRAINS
 FLOOR DRAINS
 I, P, BW VALVES
 INTERCEPTORS
 CARRIERS
 HYDRANTS
 CLEANOUTS
 WHA
 SS DRAINS
 SANI-FLOOR
 TECH INFO

Z1202-N-XB EZCARRY® BARIATRIC CARRIER – 1000 LB ADJUSTABLE VERTICAL SIPHON JET – NO-HUB SERIES



Patented

ENGINEERING SPECIFICATION

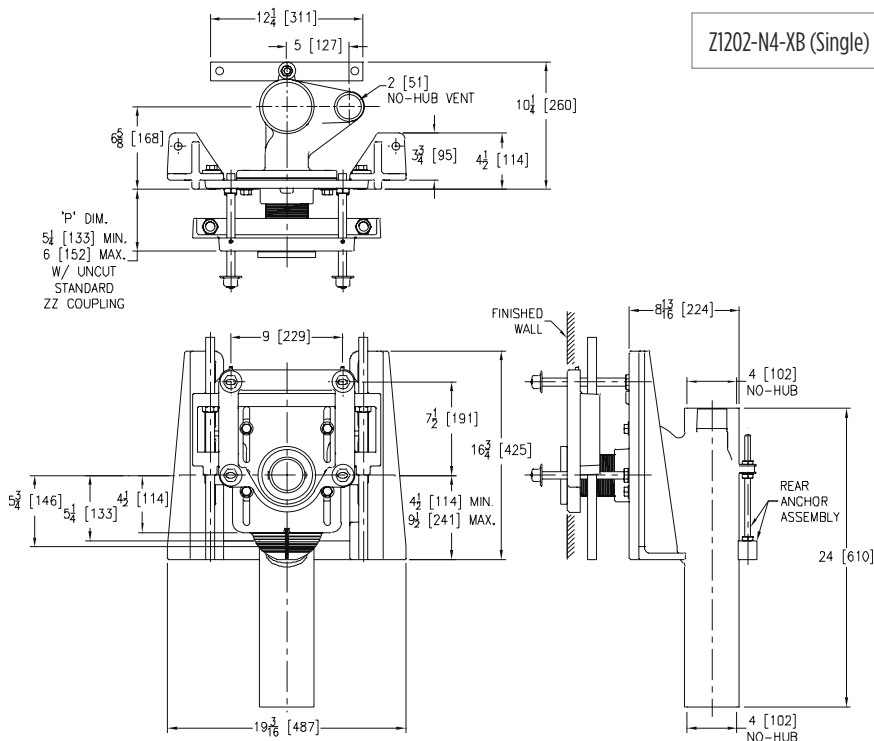
Zurn Z1202-N()-XB EZCarry® bariatric vertical siphon jet water closet carrier system features high performance Dura-Coated cast iron main fitting with hydromechanically optimized sweep, 4" no-hub connections, and extended 2" vent. Corrosion resistant adjustable cast iron coupling is designed to increase flow velocity and line carry. Labor saving Neo-Seal bonded gasket optimizes flow performance, while reducing installation steps. Complete system includes an adjustable, gasketed faceplate, floor mounted foot supports, rigid support frame assembly, extra heavy-duty 1/2" rear anchor tie down, fixture bolts, trim, and stud protectors. EZCarry® XB system complies with all applicable requirements of ASME A112.6.1M up to a 1000 lb maximum static load.

NOTES

1. Cut 4" adjustable coupling minimum 'P' dimension obtainable = 3".
2. Feet bolted to floor using minimum 1/2" diameter anchors.
3. Rear anchor foot required for secure installation.
4. Floor anchors must each be able to withstand a pull-out force of 748 lb.
5. Pull-out forces are calculated values with standard coupling assembly. No safety factor has been applied. See Form #C38 for more information.
6. 2" no-hub vent connection regularly furnished on right-hand side. Left hand available when specified (Suffix -VL).
7. Auxiliary inlet available right (-JR) or left (-JL) or both sides (-JJ) when specified.

Product Number	Approximate Weight lb [kg]
Z1202-N4-XB	115 [52]
Z1202-ND4-XB	188 [85]

PREFIXES	DESCRIPTION	SINGLE	DOUBLE
Z1202*	D.C.C.I. System with 4" Adjustable Coupling	Combine with Fitting Type for Pricing	
FITTING TYPE			
-N4-XB	4" No-Hub Stack, Single Inlet, 2" Right-Hand Vent	6,319.00	-
-ND4-XB	4" No-Hub Stack, Back-to-Back Inlet (Double), 2" Right-Hand Vent	-	12,193.00
SUFFIXES		ADD	
-CC	Corrosion Resistant Cast Iron Coupling (2-1/4" thru 12")	N/C	N/C
-G	Galvanized Cast Iron	1,014.00	2,024.00
-JJ	Two 2" Auxiliary Inlets	898.00	898.00
-JL	2" Left-Hand Auxiliary Inlet	453.00	453.00
-JR	2" Right-Hand Auxiliary Inlet	453.00	453.00
-VL	Left-Hand Vent Connection	N/C	N/C
-VP	Vandal-Proof Trim	173.00	336.00
-50	Flush Valve Supply Support for Water Closet	113.00	221.00



*Regularly furnished unless otherwise specified.

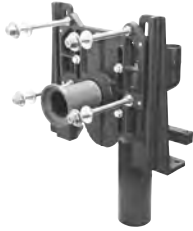
For additional product information, please visit www.zurn.com

Items designated as Best Sellers are most specified and are generally in stock for shipment.

⌚ This symbol denotes a product that is engineered to reduce installation and rework time.

For Additional System Tools See "Z1200 Carrier Tools and Accessories" on page 204

Z1202-N-XH EZCARRY® EXTRA HEAVY-DUTY 750 LB ADJUSTABLE VERTICAL SIPHON JET – NO-HUB SERIES



Patented

ENGINEERING SPECIFICATION

Zurn Z1202-N(-)XH EZCarry® extra heavy-duty vertical siphon jet water closet carrier system features high performance Dura-Coated cast iron main fitting with hydro-mechanically optimized sweep, 4" no-hub connections, and extended 2" vent. Corrosion resistant adjustable 3" diameter x 6" coupling with integral test cap is designed to increase flow velocity and line carry. Labor saving Neo-Seal bonded gasket optimizes flow performance, while reducing installation steps. Complete system includes an adjustable, gasketed faceplate, floor mounted foot supports, extra heavy-duty 1/2" rear anchor tie down, fixture bolts, trim, and stud protectors. EZCarry® XH system complies with all applicable requirements of ASME A112.6.1M up to a 750 lb maximum static load.

NOTES

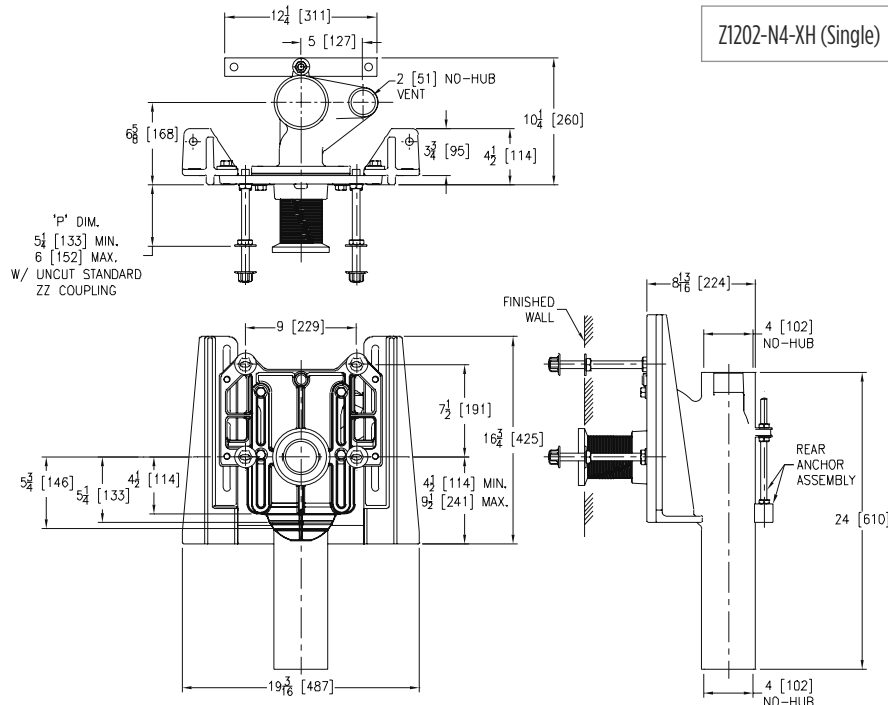
1. Cut 4" adjustable coupling minimum 'P' dimension obtainable = 2". EZ-Set™ coupling, minimum 'P' dimension obtainable = 4-1/4" or 2-1/16" for 12" NPT.
2. Feet bolted to floor using minimum 1/2" diameter anchors.
3. Rear anchor assembly required for secure installation.
4. Floor anchors must each be able to withstand a pull-out force of 820 lb.
5. Pull-out forces are calculated values with standard coupling assembly. No safety factor has been applied. See Form #C38 for more information.
6. 2" no-hub vent connection regularly furnished on right-hand side. Left hand available when specified (Suffix -VL).
7. Auxiliary inlet available right (-JR) or left (-JL) or both sides (-JJ) when specified.

Product Number	Approximate Weight lb [kg]
Z1202-N4-XH	99 [45]
Z1202-ND4-XH	156 [71]

PREFIXES	DESCRIPTION	SINGLE	DOUBLE
Z1202*	D.C.C.I. System with 4" Adjustable Coupling	Combine with Fitting Type for Pricing	
ZQ1202	D.C.C.I. System with NPT Faceplate Non-Adjustable Coupling		

FITTING TYPE			
-N4-XH	4" No-Hub Stack, Single Inlet, 2" Right-Hand Vent	4,591.00	-
-ND4-XH	4" No-Hub Stack, Back-to-Back Inlet (Double), 2" Right-Hand Vent	-	8,862.00

SUFFIXES		ADD	
-CC	Corrosion Resistant Cast Iron Coupling (2-1/4" thru 12")	N/C	N/C
-CE	EZ-SET™ Coupling (6", 12" & 18")	6"	71.00 141.00
		12"	71.00 141.00
		18"	643.00 1,285.00
-CL	Custom Length Standard Coupling with Integral Test Cap (Specify Length 6" or 12")	N/C	N/C
Ⓢ -CS	2-1/4" Polymer Coupling with Integral Test Cap	N/C	N/C
-G	Galvanized Cast Iron	1,014.00	2,024.00
-JJ	Two 2" Auxiliary Inlets	898.00	898.00
-JL	2" Left-Hand Auxiliary Inlet	453.00	453.00
-JR	2" Right-Hand Auxiliary Inlet	453.00	453.00
-VL	Left-Hand Vent Connection (H4, 1HR4, 2H4 Only)	N/C	N/C
-VP	Vandal-Proof Trim	173.00	336.00
Ⓢ -50	Flush Valve Supply Support for Water Closet	113.00	221.00



Z1202-N4-XH (Single)

Items designated as Best Sellers are most specified and are generally in stock for shipment.
 Ⓢ This symbol denotes a product that is engineered to reduce installation and rework time.
 For Additional System Tools See "Z1200 Carrier Tools and Accessories" on page 204

*Regularly furnished unless otherwise specified.
 For additional product information, please visit www.zurn.com

Ⓢ **ZF1202-N** EZCARRY® VERTICAL SIPHON JET ONE-PIECE CARRIER – NO-HUB SERIES



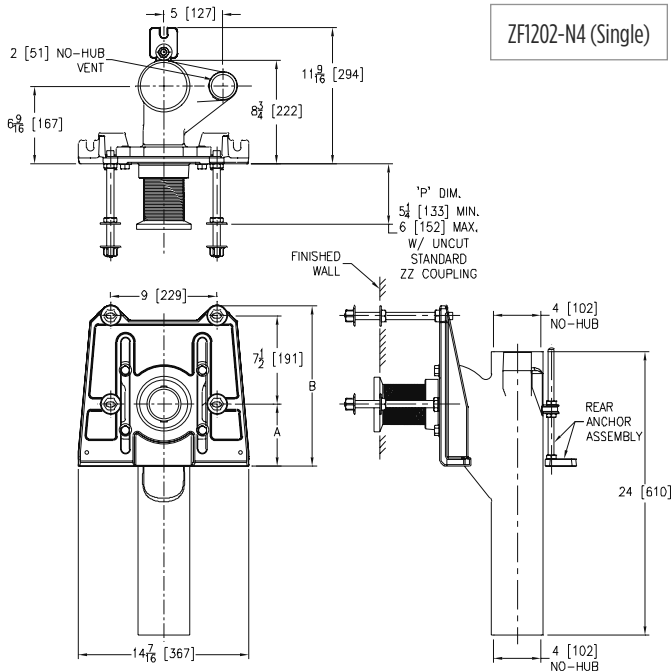
Patent Pending

ENGINEERING SPECIFICATION

Zurn ZF1202-N() EZCarry® one-piece combination floor mounted foot/faceplate horizontal siphon jet water closet carrier system, supplied for () rough-in height, features high performance Dura-Coated cast iron main fitting with hydro-mechanically optimized sweep, 4" no-hub connections, and extended 2" vent. Corrosion resistant adjustable 3" diameter x 6" coupling with integral test cap is designed to increase flow velocity and line carry. Labor saving Neo-Seal bonded gasket optimizes flow performance, while reducing installation steps. Complete system includes one-piece combination foot/faceplate, heavy-duty 1/2" rear anchor tie down, fixture bolts, trim, and stud protectors. EZCarry® one-piece combination floor mounted foot/faceplate system complies with all applicable requirements of ASME A112.6.1M up to a 500 lb maximum static load.

NOTES

1. Cut 4" adjustable coupling minimum 'P' dimension obtainable = 2". EZ-Set™ coupling, minimum 'P' dimension obtainable = 4-1/4" or 2-1/16" for 12" NPT.
2. Feet bolted to floor using minimum 1/2" diameter anchors.
3. Rear anchor assembly required for secure installation (not on ND4).
4. 2" no-hub vent connection regularly furnished on right-hand side. Left-hand available when specified (Suffix -VL).
5. Auxiliary inlet available right (-JR) or left (-JL) or both sides (-JJ).



Product Number	Dimensions in inches [mm]		Approximate Weight lb [kg]
	A	B	
ZF1202-N4-F55	5-1/2 [140]	13-7/8 [352]	87 [39]
ZF1202-ND4-F55			107 [49]
ZF1202-N4-F75	7-1/2 [191]	15-7/8 [403]	91 [41]
ZF1202-ND4-F75			115 [52]

PREFIXES	DESCRIPTION	SINGLE	DOUBLE
ZF1202*	D.C.C.I. System with 4" Adjustable Coupling	Combine with Fitting Type for Pricing	
ZQF1202	D.C.C.I. System with NPT Faceplate Non-Adjustable Coupling		
FITTING TYPE			
-N4-F55	4" No-Hub Right-Hand Inlet with Flow to Left with 5-1/2" Non-Adjustable Rough-In Height	2,189.00	-
-ND4-F55	4" No-Hub Back-to-Back Inlet (Double), with 5-1/2" Non-Adjustable Rough-In Height	-	3,863.00
-N4-F75	4" No-Hub Left-Hand Inlet with Flow to Right with 7-1/2" Non-Adjustable Rough-In Height	2,189.00	-
-ND4-F75	4" No-Hub Back-to-Back Inlet (Double), with 7-1/2" Non-Adjustable Rough-In Height	-	3,863.00
SUFFIXES		ADD	
-A	Auxiliary Support Assembly (Required For 'P' Dim. Greater than 18")	1,068.00	2,132.00
-CC	Corrosion Resistant Cast Iron Coupling (2-1/4" thru 12")	N/C	N/C
-CE	EZ-SET™ Coupling (6", 12" & 18")	6"	71.00 141.00
		12"	71.00 141.00
		18"	643.00 1,285.00
-CL	Custom Length Standard Coupling with Integral Test Cap (Specify Length 6" or 12")	N/C	N/C
Ⓢ -CS	2-1/4" Polymer Coupling with Integral Test Cap	N/C	N/C
-G	Galvanized Cast Iron	1,014.00	2,024.00
-JJ	Two 2" Auxiliary Inlets	898.00	898.00
-JL	2" Left-Hand Auxiliary Inlet	453.00	453.00
-JR	2" Right-Hand Auxiliary Inlet	453.00	453.00
-M	Auxiliary Foot Support (Required For 'P' Dim. 10" thru 18")	403.00	801.00
-VL	Left-Hand Vent Connection	N/C	N/C
-VP	Vandal-Proof Trim	173.00	336.00
Ⓢ -45	Finishing Frame for Siphon Jet System (For Blowout System specify -45-B)	107.00	208.00
Ⓢ -50	Flush Valve Supply Support for Water Closet	113.00	221.00

*Regularly furnished unless otherwise specified.

For additional product information, please visit www.zurn.com

Items designated as Best Sellers are most specified and are generally in stock for shipment.

Ⓢ This symbol denotes a product that is engineered to reduce installation and rework time.

For Additional System Tools See "Z1200 Carrier Tools and Accessories" on page 204

⌚ ZN1202-N EZCARRY® ADJUSTABLE VERTICAL SIPHON JET – NO-HUB NARROW WALL SYSTEM



Patent Pending

ENGINEERING SPECIFICATION

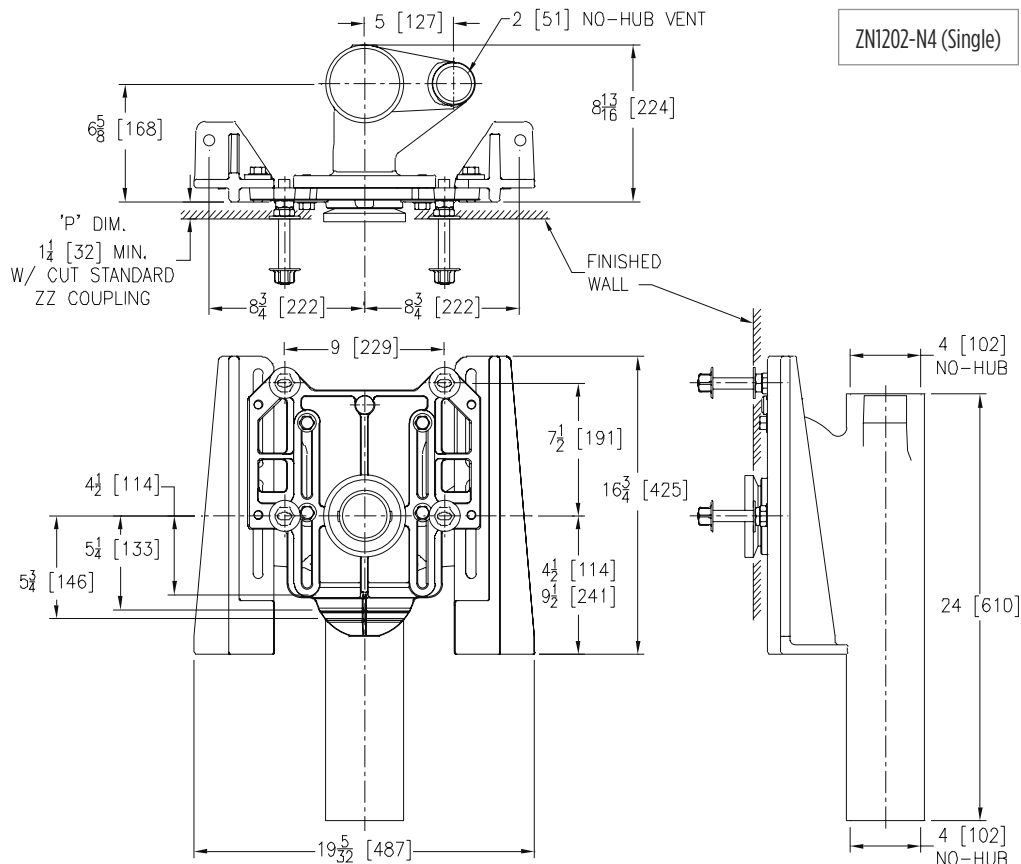
Zurn ZN1202-N()4 EZCarry® narrow wall vertical siphon jet water closet carrier system features high performance Dura-Coated cast iron main fitting with hydromechanically optimized sweep, 4" no-hub connections, and extended 2" vent. Corrosion resistant adjustable 3" diameter x 6" coupling with integral test cap is designed to increase flow velocity and line carry. Labor saving Neo-Seal bonded gasket optimizes flow performance while reducing installation steps. Complete system includes an adjustable, gasketed faceplate, floor mounted foot supports, fixture bolts, trim, and stud protectors. EZCarry® narrow wall system complies with all applicable requirements of ASME A112.6.1M up to a 500 lb maximum static load.

NOTES

1. Cut 4" adjustable coupling minimum 'P' dimension obtainable = 1-1/4".
2. Carrier floor anchors must each be able to withstand a pull-out force of 1741 lb.
3. Pull-out forces are calculated values with standard coupling assembly. No safety factor has been applied. See Form #C38 for more information.
4. 2" no-hub vent connection regularly furnished on right-hand side. Left hand available when specified (Suffix -VL).
5. Auxiliary inlet available right (-JR) or left (-JL) or both sides (-JJ) when specified.

Product Number	Approximate Weight lb [kg]
ZN1202-N4	90 [41]
ZN1202-ND4	158 [72]

PREFIXES	DESCRIPTION	SINGLE	DOUBLE
ZN1202*	D.C.C.I. System with 4" Adjustable Coupling	Combine with Fitting Type for Pricing	
FITTING TYPE			
-N4	4" No-Hub Stack, Single Inlet, 2" Right-Hand Vent	2,624.00	-
-ND4	4" No-Hub Stack, Back-to-Back Inlet (Double), 2" Right-Hand Vent	-	4,841.00
SUFFIXES		ADD	
-CC	Corrosion Resistant Cast Iron Coupling (2-1/4" thru 12")	N/C	N/C
⌚ -CS	2-1/4" Polymer Coupling with Integral Test Cap	N/C	N/C
-G	Galvanized Cast Iron	1,014.00	2,024.00
-JJ	Two 2" Auxiliary Inlets	1,794.00	1,794.00
-JL	2" Left-Hand Auxiliary Inlet	903.00	903.00
-JR	2" Right-Hand Auxiliary Inlet	903.00	903.00
-VL	Left-Hand Vent Connection	N/C	N/C
-VP	Vandal-Proof Trim	173.00	336.00
⌚ -50	Flush Valve Supply Support for Water Closet	113.00	221.00



Items designated as Best Sellers are most specified and are generally in stock for shipment.

⌚ This symbol denotes a product that is engineered to reduce installation and rework time.

For Additional System Tools See "Z1200 Carrier Tools and Accessories" on page 204

*Regularly furnished unless otherwise specified.

For additional product information, please visit www.zurn.com

Z1203-N ADJUSTABLE HORIZONTAL SIPHON JET – NO-HUB SERIES

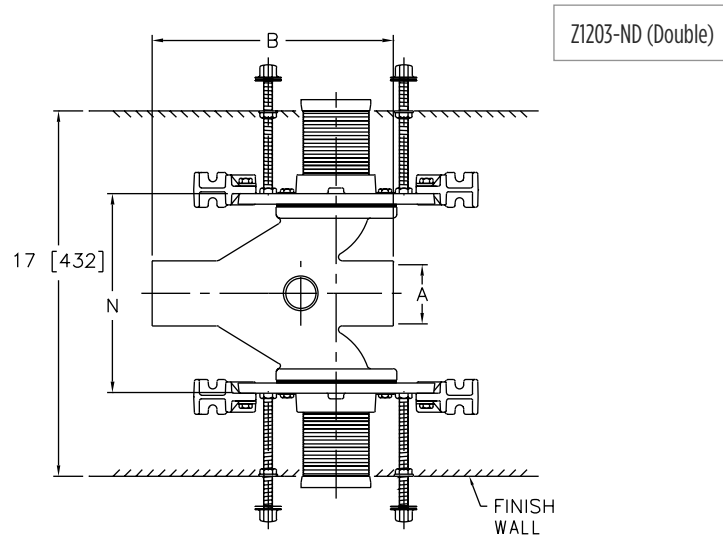
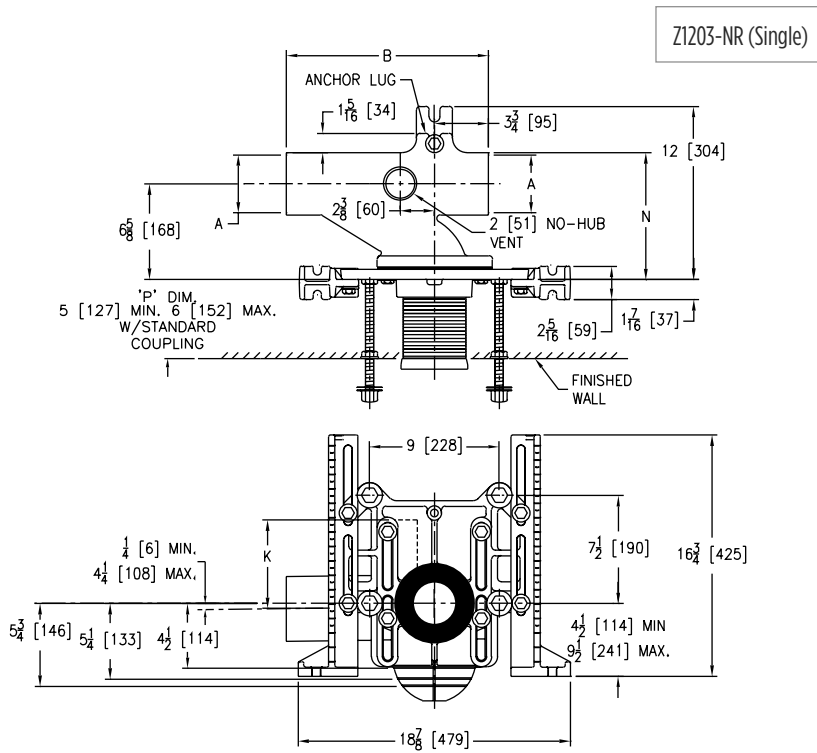


ENGINEERING SPECIFICATION

Zurn Z1203-N() adjustable, horizontal siphon jet water closet provides a rigid system with () size no-hub connections. Comes complete with Dura-Coated cast iron right-hand, left-hand, or double main fitting, 2" vent adjustable gasketed faceplate, universal floor mounted foot supports, corrosion resistant adjustable polymer icoupling with integral test cap, fixture bolts, trim, and stud protectors. Includes rear anchor tie down and bonded Neo-Seal gasket.

NOTES

1. Minimum "P" dimension attainable = 2".
2. Feet anchored to floor using minimum 1/2" diameter bolts through rear slots on carrier feet.
3. Rear anchor foot required for secure installation.
4. When used with Z1204 vertical fitting, and the centerline of the fitting to the finished wall exceeds 11-3/4", a 7" or longer, coupling is needed.



*Regularly furnished unless otherwise specified.

For additional product information, please visit www.zurn.com

Items designated as Best Sellers are most specified and are generally in stock for shipment.

Ⓞ This symbol denotes a product that is engineered to reduce installation and rework time.

For Additional System Tools See "Z1200 Carrier Tools and Accessories" on page 204

Z1203-N ADJUSTABLE HORIZONTAL SIPHON JET – NO-HUB SERIES

Product Number	Dimensions in inches [mm]				Approximate Weight lb [kg]
	A	B	K	N	
Z1203-NL3	3 [76]	14 [356]	6-1/8 [156]	7-7/16 [189]	64 [29]
Z1203-NR3				11-1/4 [286]	114 [52]
Z1203-ND3				8-7/8 [225]	67 [30]
Z1203-NL4	4 [102]	14 [356]	6-1/8 [156]	13-3/8 [340]	120 [54]
Z1203-NR4					
Z1203-ND4					

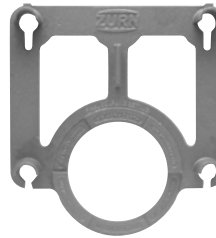
PREFIXES	DESCRIPTION	SINGLE	DOUBLE
Z1203*	D.C.C.I. System with 4" Adjustable Coupling		Combine with Fitting Type for Pricing
ZQ1203	D.C.C.I. System with NPT Faceplate Non-Adjustable Coupling		

FITTING TYPE			
-NR3	3" No-Hub Right-Hand Inlet with Flow to Left	1,795.00	-
-NL3	3" No-Hub Left-Hand Inlet with Flow to Right	1,795.00	-
-ND3	3" No-Hub Back-to-Back Inlet (Double)	-	3,309.00
-NR4	4" No-Hub Right-Hand Inlet with Flow to Left	1,964.00	-
-NL4	4" No-Hub Left-Hand Inlet with Flow to Right	1,964.00	-
-ND4	4" No-Hub Back-to-Back Inlet (Double)	-	3,674.00

SUFFIXES		ADD	
-A	Auxiliary Support Assembly (Required For P-Dim. Greater than 18")	1,068.00	2,132.00
-B	Blowout Type Fixture Support	N/C	N/C
-CC	Corrosion Resistant Cast Iron Coupling (6" to 12")	N/C	N/C
-CL	Coupling Length Greater than 12" Per Inch (Specify Length Required)	130.00	254.00
-JC	2" Auxiliary Inlet with Sanitary Sweep on Faceplate Centerline	453.00	-
-M	Auxiliary Foot Support (Required For P-Dim. 10" - 18")	403.00	801.00
Ⓢ -PF	Pre-Fab Foot	N/C	N/C
Ⓢ -PS	Pre-Fab Slotted Foot	N/C	N/C
Ⓢ -RYK	Unistrut Pre-Fab Foot	N/C	N/C
-VP	Vandal-Proof Trim	173.00	336.00
-X3	3" Foot Extension Assembly	113.00	221.00
-X4	4" Foot Extension Assembly	144.00	283.00
Ⓢ -45	Finishing Frame for Siphon Jet System (For Blowout System specify -45-B)	107.00	208.00
Ⓢ -50	Flush Valve Supply Support for Water Closet (Previously Z1210-50)	113.00	221.00

DEDUCT			
-F	Floor Mounted, Back Outlet Fixture Support	-198.00	-392.00

BEST SELLERS	LIST PRICE
Z1203-ND4	3,674.00
Z1203-ND4-45	3,882.00
Z1203-ND4-45-50	4,103.00
Z1203-ND4-CL=12	3,674.00
Z1203-ND4-PF	3,674.00
Z1203-NL4-45	2,071.00
Z1203-NL4-CL=12	1,964.00
Z1203-NL4-PF	1,964.00
Z1203-NR3	1,795.00
Z1203-NR4	1,964.00
Z1203-NR4-CL=12	1,964.00



Ⓢ Z1200-RI-GAUGE



Z1200-CPLGWRNCH-4

Items designated as Best Sellers are most specified and are generally in stock for shipment.
 Ⓢ This symbol denotes a product that is engineered to reduce installation and rework time.
 For Additional System Tools See "Z1200 Carrier Tools and Accessories" on page 204

*Regularly furnished unless otherwise specified.
 For additional product information, please visit www.zurn.com

INTRO
 ROOF DRAINS
 FLOOR DRAINS
 I, P, BW VALVES
 INTERCEPTORS
 CARRIERS
 HYDRANTS
 CLEANOUTS
 WHA
 SS DRAINS
 SAN-FLOOR
 TECH INFO

Z1203-H ADJUSTABLE HORIZONTAL SIPHON JET – HUB AND SPIGOT SERIES

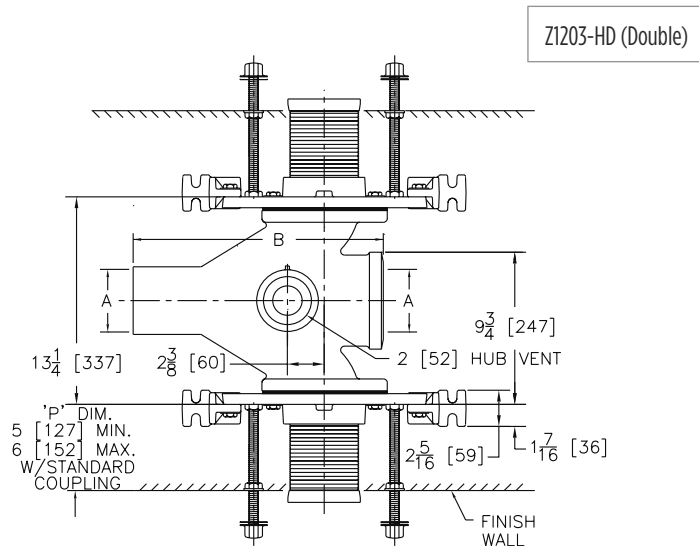
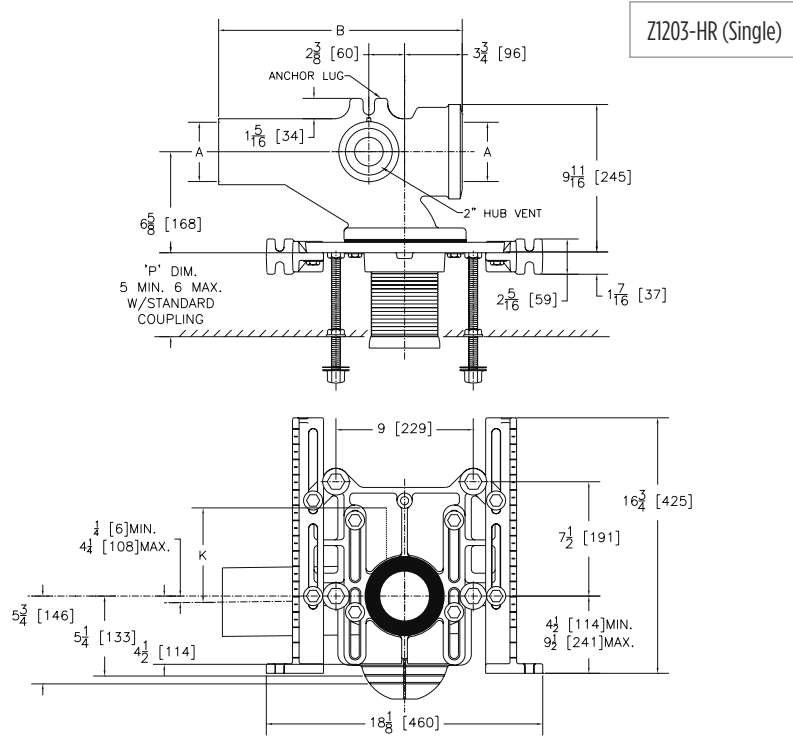


ENGINEERING SPECIFICATION

Zurn Z1203-H() adjustable, horizontal siphon jet water closet provides a rigid system with () size hub and spigot connections. Comes complete with Dura-Coated cast iron right-hand, left-hand, or double main fitting, 2" vent adjustable gasketed faceplate, universal floor mounted foot supports, corrosion resistant adjustable polymer coupling with integral test cap, fixture bolts, trim, and stud protectors. Includes rear anchor tie down and bonded Neo-Seal gasket.

NOTES

1. Minimum "P" dimension attainable = 2".
2. Feet anchored to floor using minimum 1/2" diameter bolts through rear slots on carrier feet.
3. Rear anchor foot required for secure installation (not on HD series).



*Regularly furnished unless otherwise specified.

For additional product information, please visit www.zurn.com

Items designated as Best Sellers are most specified and are generally in stock for shipment.

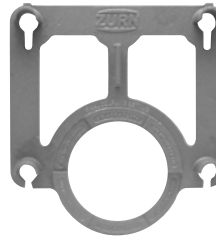
Ⓢ This symbol denotes a product that is engineered to reduce installation and rework time.

For Additional System Tools See "Z1200 Carrier Tools and Accessories" on page 204

Z1203-H ADJUSTABLE HORIZONTAL SIPHON JET – HUB AND SPIGOT SERIES

Product Number	Dimensions in inches [mm]				Approximate Weight lb [kg]
	A	B	K	N	
Z1203-HL4	4 [102]	16 [406]	6-1/8 [156]	9-3/4 [248]	75 [34]
Z1203-HR4				13-1/4 [337]	
Z1203-HD4				125 [57]	

PREFIXES	DESCRIPTION	SINGLE	DOUBLE
Z1203*	D.C.C.I. System with 4" Adjustable Coupling	Combine with Fitting	
ZQ1203	D.C.C.I. System with NPT Faceplate Non-Adjustable Coupling	Type for Pricing	
FITTING TYPE			
-HL4	4" Hub & Spigot, Left-Hand Inlet with Flow to Right	2,021.00	-
-HR4	4" Hub & Spigot, Right-Hand Inlet with Flow to Left	2,021.00	-
-HD4	4" Hub & Spigot, Back-to-Back Inlet (Double)	-	3,771.00
SUFFIXES		ADD	
-A	Auxiliary Support Assembly (Required For P-Dim. Greater than 18")	1,068.00	2,132.00
-B	Blowout Type Fixture Support	N/C	N/C
-CC	Corrosion Resistant Cast Iron Coupling (6" to 12")	N/C	N/C
-CL	Coupling Length Greater than 12" Per Inch (Specify Length Required)	130.00	254.00
-G	Galvanized Cast Iron	1,014.00	2,024.00
-M	Auxiliary Foot Support (Required For P-Dim. 10" thru 18")	403.00	801.00
⌚ -PF	Pre-Fab Foot	N/C	N/C
⌚ -PS	Pre-Fab Slotted Foot	N/C	N/C
⌚ -RYK	Unistrut Pre-Fab Foot	N/C	N/C
-VP	Vandal-Proof Trim	173.00	336.00
-X3	3" Foot Extension Assembly	113.00	221.00
-X4	4" Foot Extension Assembly	144.00	283.00
⌚ -45	Finishing Frame for Siphon Jet System (For Blowout System specify -45-B)	107.00	208.00
⌚ -50	Flush Valve Supply Support for Water Closet (Previously Z1210-50)	113.00	221.00
		DEDUCT	
-F	Floor Mounted, Back Outlet Fixture Support	-198.00	-392.00



⌚ Z1200-RI-GAUGE



Z1200-CPLGWRNCH-4

Items designated as Best Sellers are most specified and are generally in stock for shipment.
 ⌚ This symbol denotes a product that is engineered to reduce installation and rework time.
 For Additional System Tools See "Z1200 Carrier Tools and Accessories" on page 204

*Regularly furnished unless otherwise specified.
 For additional product information, please visit www.zurn.com

INTRO
 ROOF DRAINS
 FLOOR DRAINS
 T, P, BW VALVES
 INTERCEPTORS
 CARRIERS
 HYDRANTS
 CLEANOUTS
 WHA
 SS DRAINS
 SANI-FLOOR
 TECH INFO

ZE1203-N ADJUSTABLE HORIZONTAL SIPHON JET WITH ELONGATED FITTING – NO-HUB SERIES



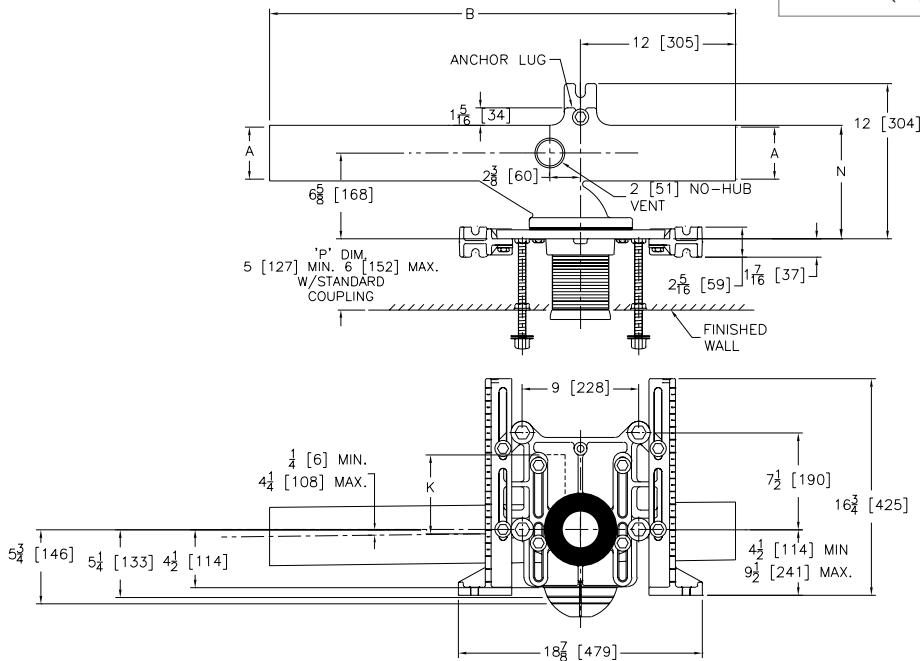
ENGINEERING SPECIFICATION

Zurn ZE1203-N () adjustable, horizontal siphon jet water closet provides a rigid system with () no-hub connections. Comes complete with Dura-Coated cast iron right-hand, left-hand, or double main elongated fitting, 2" vent, adjustable gasketed faceplate, universal floor mounted foot supports, corrosion resistant adjustable polymer coupling with integral test cap, fixture bolts, trim, and stud protectors. Includes rear anchor tie down and bonded Neo-Seal gasket.

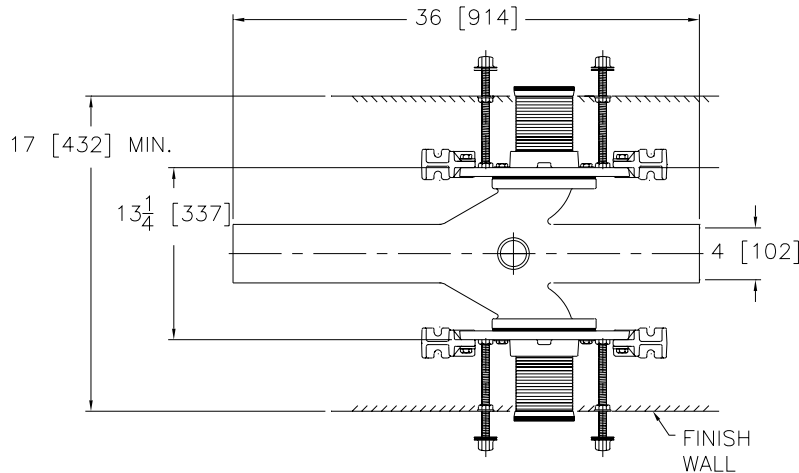
NOTES

1. 13-1/2" minimum space required between front of foot and rear of anchor to install ZE1203 Series.
2. Minimum 'P' dimension obtainable = 2".
3. Feet bolted to floor using min. 1/2" diameter bolts through back slots on carrier feet.
4. Rear anchor foot mandatory for secure installation.

ZE1203-NR4 (Single)



ZE1203-ND4 (Double)



*Regularly furnished unless otherwise specified.

For additional product information, please visit www.zurn.com

Items designated as Best Sellers are most specified and are generally in stock for shipment.

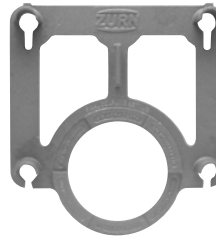
Ⓢ This symbol denotes a product that is engineered to reduce installation and rework time.

For Additional System Tools See "Z1200 Carrier Tools and Accessories" on page 204

⌚ ZE1203-N ADJUSTABLE HORIZONTAL SIPHON JET WITH ELONGATED FITTING – NO-HUB SERIES

Product Number	Dimensions in inches [mm]				Approximate Weight lb [kg]
	A	B	K	N	
ZE1203-NL4	4 [102]	36 [914]	6-1/8 [156]	8-7/8 [225]	84 [38]
ZE1203-NR4				13-3/8 [340]	136 [62]
ZE1203-ND4					

PREFIXES	DESCRIPTION	SINGLE	DOUBLE
ZE1203*	D.C.C.I. Elongated Fitting System with 4" Adjustable Coupling	Combine with Fitting Type for Pricing	
ZEQ1203	D.C.C.I. Elongated Fitting System with NPT Faceplate, Non-Adjustable Coupling		
FITTING TYPE			
-NR4	4" No-Hub Right-Hand Inlet with Flow to Left	2,435.00	-
-NL4	4" No-Hub Left-Hand Inlet with Flow to Right	2,435.00	-
-ND4	4" No-Hub Back-to-Back Inlet (Double)	-	4,017.00
SUFFIXES		ADD	
-A	Auxiliary Support Assembly (Required For P-Dim. Greater than 18")	1,068.00	2,132.00
-B	Blowout Type Fixture Support	N/C	N/C
-CC	Corrosion Resistant Cast Iron Coupling (6" to 12")	N/C	N/C
-CL	Coupling Length Greater than 12" - Per Inch (Specify Length Required)	130.00	254.00
-JC	2" Auxiliary Inlet with Sanitary Sweep	453.00	-
-M	Auxiliary Foot Support (Required For P-Dim. 10" thru 18")	403.00	801.00
⌚ -PF	Pre-Fab Foot	N/C	N/C
⌚ -PS	Pre-Fab Slotted Foot	N/C	N/C
⌚ -RYK	Unistrut Pre-Fab Foot	N/C	N/C
-VP	Vandal-Proof Trim	173.00	336.00
-X3	3" Foot Extension Assembly	113.00	221.00
-X4	4" Foot Extension Assembly	144.00	283.00
⌚ -45	Finishing Frame for Siphon Jet System (For Blowout System specify -45-B)	107.00	208.00
⌚ -50	Flush Valve Supply Support for Water Closet (Previously Z1210-50)	113.00	221.00
		DEDUCT	
-F	Floor Mounted, Back Outlet Fixture Support	-198.00	-392.00
BEST SELLERS		LIST PRICE	
ZEQ1203-ND4-45		4,221.00	
ZEQ1203-NR4-45-50		2,650.00	



⌚ Z1200-RI-GAUGE



Z1200-CPLGWRNCH-4

Items designated as Best Sellers are most specified and are generally in stock for shipment.
 ⌚ This symbol denotes a product that is engineered to reduce installation and rework time.
 For Additional System Tools See "Z1200 Carrier Tools and Accessories" on page 204

*Regularly furnished unless otherwise specified.
 For additional product information, please visit www.zurn.com

ZE1203-H ADJUSTABLE HORIZONTAL SIPHON JET WITH ELONGATED FITTING – HUB AND SPIGOT SERIES

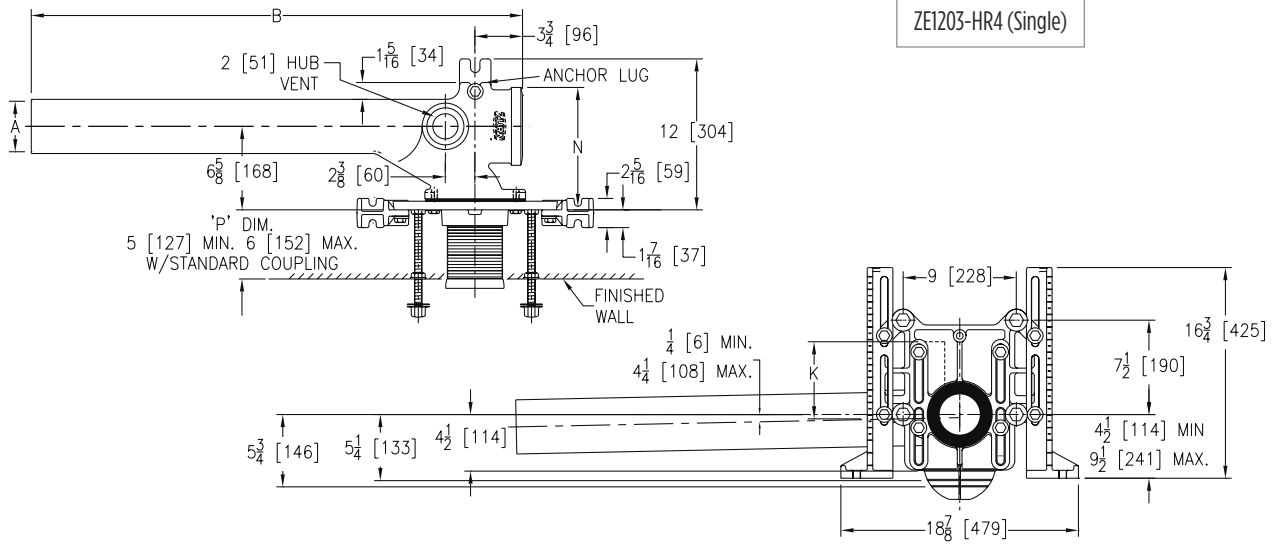


ENGINEERING SPECIFICATION

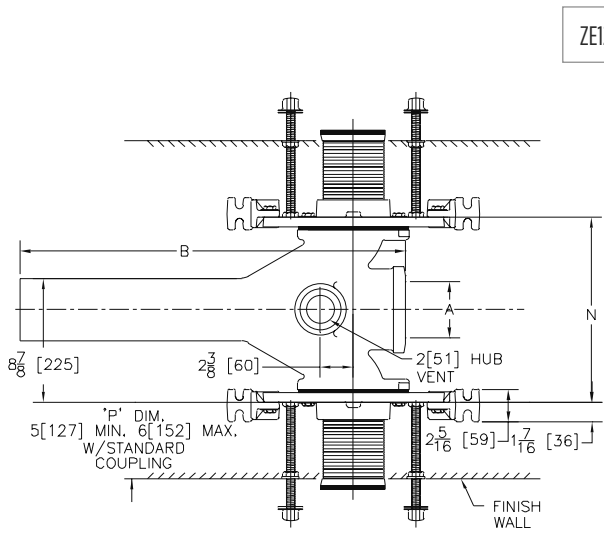
Zurn ZE1203-H () adjustable, horizontal siphon jet water closet provides a rigid system with () size hub and spigot connections. Comes complete with Dura-Coated cast iron right-hand, left-hand, or double main elongated fitting, 2" vent, adjustable gasketed faceplate, universal floor mounted foot supports, corrosion resistant adjustable polymer coupling with integral test cap, fixture bolts, trim, and stud protectors. Includes rear anchor tie down and bonded Neo-Seal gasket.

NOTES

1. 13-1/2" minimum space required between front of foot and rear of anchor to install ZE1203 Series.
2. Minimum P dimension attainable = 2"
3. Feet anchored to floor using minimum 1/2" diameter anchors through rear slots on carrier feet.
4. Rear anchor foot required for secure installation. (Not on HD series)



ZE1203-HR4 (Single)

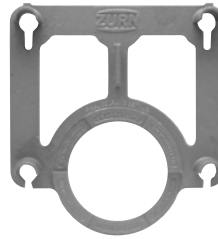


ZE1203-HD4 (Double)

⌚ ZE1203-H ADJUSTABLE HORIZONTAL SIPHON JET WITH ELONGATED FITTING – HUB AND SPIGOT SERIES

Product Number	Dimensions in inches [mm]				Approximate Weight lb [kg]
	A	B	K	N	
ZE1203-HL4	4 [102]	36 [914]	6-1/8 [156]	9-13/16 [249]	125 [57]
ZE1203-HR4				13-1/4 [337]	144 [65]
ZE1203-HD4					

PREFIXES	DESCRIPTION	SINGLE	DOUBLE
ZE1203*	D.C.C.I. Elongated Fitting System with 4" Adjustable Coupling	Combine with Fitting Type for Pricing	
ZEQ1203	D.C.C.I. Elongated Fitting System with NPT Faceplate, Non-Adjustable Coupling		
FITTING TYPE			
-HL4	4" Caulk, Left-Hand Inlet with Flow Right	2,720.00	-
-HR4	4" Caulk, Right-Hand Inlet with Flow Left	2,720.00	-
-HD4	4" Caulk, Back-to-Back Inlet (Double)	-	4,731.00
SUFFIXES		ADD	
-A	Auxiliary Support Assembly (Required For P-Dim. Greater than 18")	1,068.00	2,132.00
-B	Blowout Type Fixture Support	N/C	N/C
-CC	Corrosion Resistant Cast Iron Coupling (6" to 12")	N/C	N/C
-CL	Custom length greater than 12" - Per Inch (Specify Length)	130.00	254.00
-JC	2" Auxiliary Inlet with Sanitary Sweep	453.00	-
-M	Auxiliary Foot Support (Required For P-Dim. 10" thru 18")	403.00	801.00
⌚ -PF	Pre-Fab Foot	N/C	N/C
⌚ -PS	Pre-Fab Slotted Foot	N/C	N/C
⌚ -RYK	Unistrut Pre-Fab Foot	N/C	N/C
-VP	Vandal-Proof Trim	173.00	336.00
-X3	3" Foot Extension Assembly	113.00	221.00
-X4	4" Foot Extension Assembly	144.00	283.00
⌚ -45	Finishing Frame for Siphon Jet System (For Blowout System specify -45-B)	107.00	208.00
⌚ -50	Flush Valve Supply Support for Water Closet (Previously Z1210-50)	113.00	221.00
		DEDUCT	
-F	Floor Mounted, Back Outlet Fixture Support	-198.00	-392.00



⌚ Z1200-RI-GAUGE



Z1200-CPLGWRNCH-4

Items designated as Best Sellers are most specified and are generally in stock for shipment.
 ⌚ This symbol denotes a product that is engineered to reduce installation and rework time.
 For Additional System Tools See "Z1200 Carrier Tools and Accessories" on page 204

*Regularly furnished unless otherwise specified.
 For additional product information, please visit www.zurn.com

Z1204-H ADJUSTABLE VERTICAL SIPHON JET – HUB AND SPIGOT SERIES



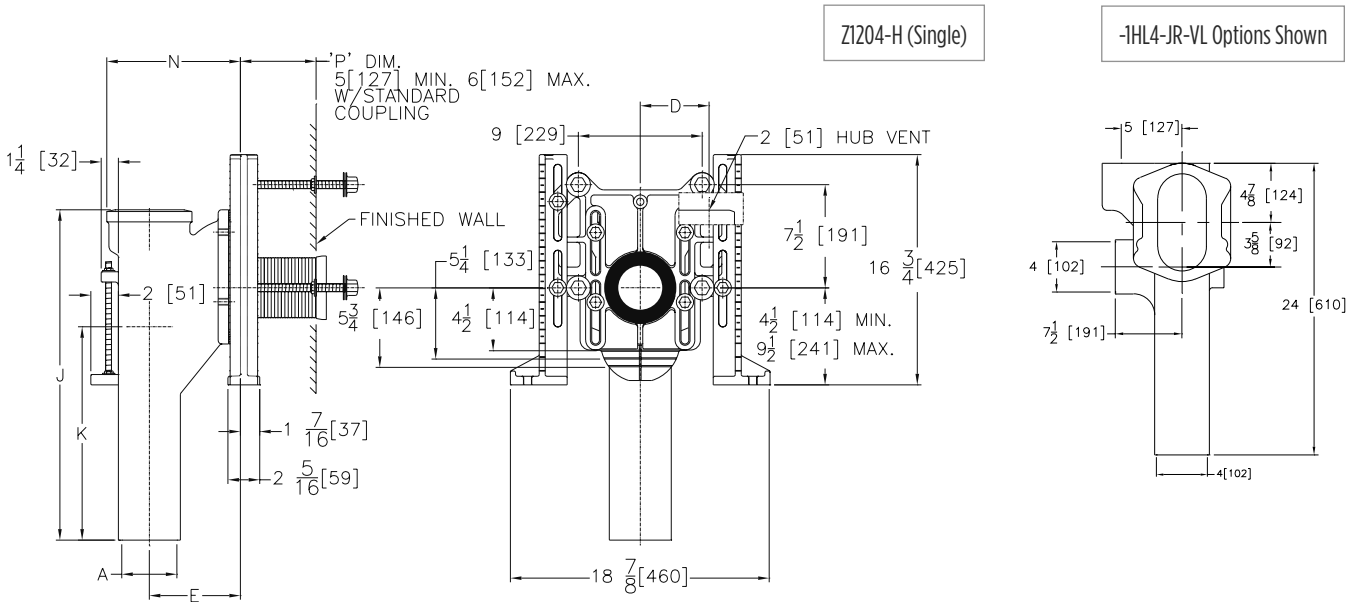
ENGINEERING SPECIFICATION

Zurn Z1204-() adjustable, vertical siphon jet water closet provides a rigid system with () size hub and spigot connections and () side inlets. Comes complete with Dura-Coated cast iron right hand or left hand main fitting, 2" vent, adjustable gasketed faceplate, universal floor mounted foot supports, corrosion resistant adjustable polymer coupling with integral test cap, fixture bolts, trim, and stud protectors. Includes rear anchor tie down and bonded Neo-Seal gasket.

NOTES

1. 13-1/4" minimum space required between front of foot and rear of anchor to install Z1204-H4.
2. Minimum "P" dimension attainable = 2" [51 mm].
3. Feet anchored to floor using minimum 1/2" [13] diameter anchors through rear slots on carrier feet.
4. Rear anchor foot required for secure installation.

Product Number	Dimensions in inches [mm]								Approximate Weight lb [kg]
	A	B	D	E	H	J	K	N	
Z1204-H4	4 [102]	-	5 [127]	6-5/8 [168]	-	24 [610]	15-1/2 [394]	9-3/4 [248]	90 [41]
Z1204-HD4	4 [102]		5 [127]	6-5/8 [168]				13-1/4 [337]	134 [61]
Z1204-IHL4	4 [102]	4 [102]	5 [127]	6-5/8 [168]	7-1/2 [191]	24 [610]	15-1/2 [394]	9-3/4 [248]	107 [49]
Z1204-IHR4								13-1/4 [337]	169 [77]
Z1204-IHD4	4 [102]	4 [102]	5-1/4 [133]	6-5/8 [168]	7-1/2 [191]	24 [610]	15-1/2 [394]	13-1/4 [337]	122 [55]
Z1204-2H4	4 [102]	4 [102]	5 [127]	6-5/8 [168]	7-1/2 [191]	24 [610]	15-1/2 [394]	9-3/4 [248]	122 [55]
Z1204-2HD4	4 [102]	4 [102]	5 [127]	6-5/8 [168]	7-1/2 [191]	24 [610]	15-1/2 [394]	13-1/4 [337]	172 [78]



*Regularly furnished unless otherwise specified.

For additional product information, please visit www.zurn.com

Items designated as Best Sellers are most specified and are generally in stock for shipment.

Ⓢ This symbol denotes a product that is engineered to reduce installation and rework time.

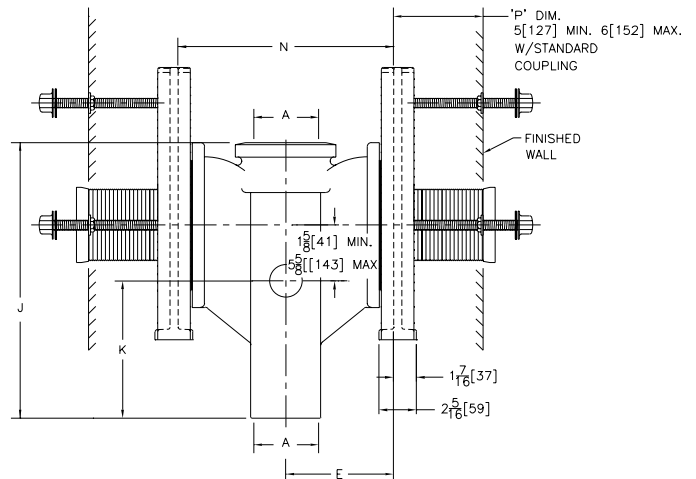
For Additional System Tools See "Z1200 Carrier Tools and Accessories" on page 204

Z1204-H ADJUSTABLE VERTICAL SIPHON JET – HUB AND SPIGOT SERIES

PREFIXES	DESCRIPTION	SINGLE	DOUBLE
Z1204*	D.C.C.I. System with 4" Adjustable Coupling	Combine with Fitting Type for Pricing	
ZQ1204	D.C.C.I. System with NPT Faceplate Non-Adjustable Coupling		
FITTING TYPE			
-H4	4" Hub/Spigot Stack, Single Inlet, 2" Right-Hand Vent	2,392.00	-
-HD4	4" Hub/Spigot Stack, Double Inlet, 2" Vent	-	4,134.00
-1HL4	4" Hub/Spigot Stack, Single Inlet, (1) 4" Left-Hand Side Inlet, 2" Left-Hand Vent	2,777.00	-
-1HR4	4" Hub/Spigot Stack, Single Inlet, (1) 4" Right-Hand Side Inlet, 2" Right-Hand Vent	2,777.00	-
-1HD4	4" Hub/Spigot Stack, Double Inlet, (1) 4" Side Inlet, 2" Vent	-	4,519.00
-2H4	4" Hub/Spigot Stack, Single Inlet, (2) 4" Side Inlets, 2" Right-Hand Vent	3,166.00	-
-2HD4	4" Hub/Spigot Stack, Double Inlet, (2) 4" Side Inlet, 2" Vent	-	4,910.00

SUFFIXES	DESCRIPTION	SINGLE	DOUBLE
-A	Auxiliary Support Assembly (Required For P-Dim. Greater than 18")	1,068.00	2,132.00
-B	Blowout Type Fixture Support	N/C	N/C
-CC	Corrosion Resistant Cast Iron Coupling (6" to 12")	N/C	N/C
-CL	Custom length greater than 12"- Per Inch (Specify Length)	130.00	254.00
-JL	2" Left-Hand Auxiliary Inlet	453.00	453.00
-JR	2" Right-Hand Auxiliary Inlet	453.00	453.00
-M	Auxiliary Foot Support (Required For P-Dim. 10" thru 18")	403.00	801.00
ⓐ -PF	Pre-Fab Foot	N/C	N/C
ⓑ -PS	Pre-Fab Slotted Foot	N/C	N/C
ⓒ -RYK	Unistrut Pre-Fab Foot	N/C	N/C
-VP	Vandal-Proof Trim	173.00	336.00
-X3	3" Foot Extension Assembly	113.00	221.00
-X4	4" Foot Extension Assembly	144.00	283.00
ⓓ -45	Finishing Frame for Siphon Jet System (For Blowout System specify -45-B)	107.00	208.00
ⓔ -50	Flush Valve Supply Support for Water Closet (Previously Z1210-50)	113.00	221.00
		DEDUCT	
-F	Floor Mounted, Back Outlet Fixture Support	-198.00	-392.00

Z1204-HD (Double)



Items designated as Best Sellers are most specified and are generally in stock for shipment.
 ⓐ This symbol denotes a product that is engineered to reduce installation and rework time.
 For Additional System Tools See "Z1200 Carrier Tools and Accessories" on page 204

*Regularly furnished unless otherwise specified.
 For additional product information, please visit www.zurn.com

Z1204-N ADJUSTABLE VERTICAL SIPHON JET – NO-HUB SERIES



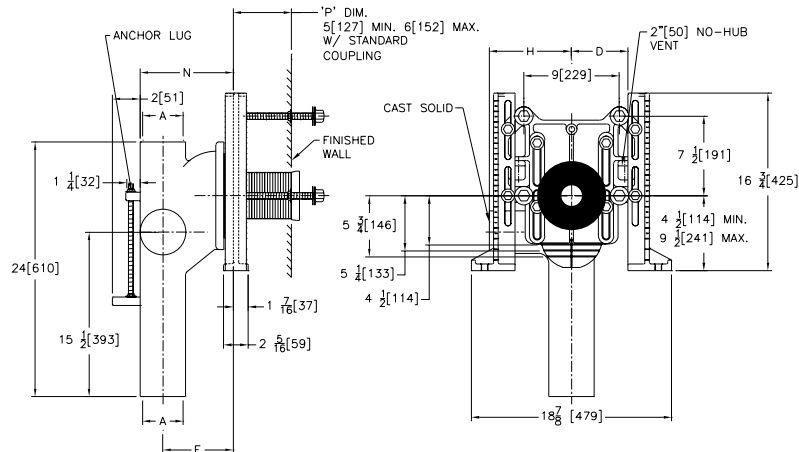
ENGINEERING SPECIFICATION

Zurn Z1204-() adjustable, vertical siphon jet water closet provides rigid system with () size no-hub connections and () side inlets. Comes complete with Dura-Coated cast iron, right-hand, left-hand, or double main fitting, 2" vent, adjustable, gasketed faceplate, universal floor mounted foot supports, corrosion resistant, adjustable polymer coupling with integral test cap, fixture bolts, trim and stud protectors. Includes rear anchor tie down and bonded Neo-Seal gasket.

NOTES

1. Minimum "P" dimension obtainable = 2".
2. 2" no-hub vent connection regularly furnished on right-hand side. Left hand available when specified (Suffix-VL).
3. Auxiliary inlet available right (-JR) or left (-JL) or both sides (-JJ) when specified.
4. Feet bolted to floor using min. 1/2" diameter bolts and back slots on carrier feet.
5. Back anchor foot required for secure installation. (For single carrier only)

Product Number	Dimensions in inches [mm]						Approximate Weight lb [kg]	Notes
	A	B	D	E	H	N		
Z1204-N4	4 [102]		5 [127]	6-5/8 [168]	5-1/2 [140]	8-7/8 [225]	80 [36]	2" no-hub vent connection regularly furnished on right-hand side. Left hand available when specified (-VL). 2" auxiliary inlet available right (-JR) or left (-JL), or both side(-JJ) when specified
Z1204-ND4	4 [102]		5 [127]	6-5/8 [168]	5-1/2 [140]	13-1/4 [337]	134 [61]	
Z1204-INL4	4 [102]	4 [102]	5 [127]	6-5/8 [168]	5-1/2 [140]	8-7/8 [225]	85 [39]	2" no-hub vent located on same side as 3", 4" side inlet 2" no-hub auxiliary inlet located opposite 3", 4" side inlet when specified. (-JL or -JR)
Z1204-INR4								
Z1204-INL43		3 [76]						
Z1204-INR43								
Z1204-IND4	4 [102]	4 [102]	5 [127]	6-5/8 [168]	5-1/2 [140]	13-1/4 [337]	137 [62]	One 4" side inlet as indicated 2" no-hub auxiliary inlet located opposite 4" side inlet when specified
Z1204-IND43		3 [76]						
Z1204-2N4	4 [102]	4 [102]	5 [127]	6-5/8 [168]	5-1/2 [140]	8-7/8 [225]	88 [40]	2" no-hub vent connection regularly furnished on right side. Left-hand available when specified (-VL)
Z1204-2N43		3 [76]						
Z1204-2ND4	4 [102]	4 [102]	5 [127]	6-5/8 [168]	5-1/2"	13-1/4 [337]	139 [63]	Two 3", 4" side inlets as indicated
Z1204-2ND43		3 [76]						



Z1204-N (Single)

*Regularly furnished unless otherwise specified.

For additional product information, please visit www.zurn.com

Items designated as Best Sellers are most specified and are generally in stock for shipment.

Ⓞ This symbol denotes a product that is engineered to reduce installation and rework time.

For Additional System Tools See "Z1200 Carrier Tools and Accessories" on page 204

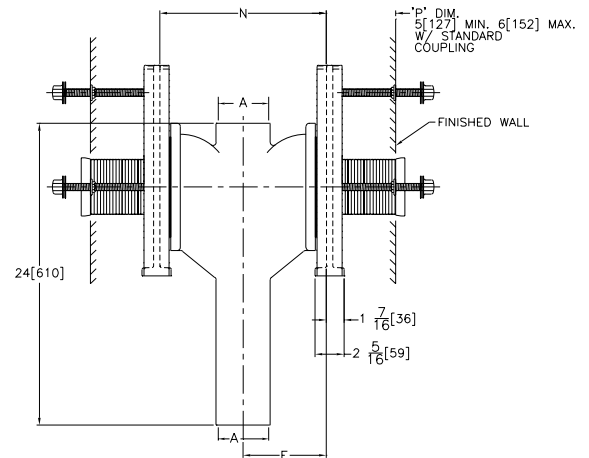
Z1204-N ADJUSTABLE VERTICAL SIPHON JET – NO-HUB SERIES

PREFIXES	DESCRIPTION	SINGLE	DOUBLE
Z1204*	D.C.C.I. System with 4" Adjustable Coupling		Combine with Fitting Type for Pricing
ZQ1204	D.C.C.I. System with NPT Faceplate Non-Adjustable Coupling		
FITTING TYPE			
-N4	4" No-Hub Stack, Single Inlet, 2" Right-Hand Vent	2,224.00	-
-ND4	4" No-Hub Stack, Double Inlet, 2" Vent	-	3,934.00
-1NL4	4" No-Hub Stack, Single Inlet, (1) 4" Left-Hand Side Inlet, 2" Left-Hand Vent	2,609.00	-
-1NR4	4" No-Hub Stack, Single Inlet, (1) 4" Right-Hand Side Inlet, 2" Right-Hand Vent	2,609.00	-
-1NL43	4" No-Hub Stack, Single Inlet, (1) 3" Left-Hand Side Inlet, 2" Left-Hand Vent	2,609.00	-
-1NR43	4" No-Hub Stack, Single Inlet, (1) 3" Right-Hand Side Inlet, 2" Right-Hand Vent	2,609.00	-
-1ND4	4" No-Hub Stack, Double Inlet, (1) 4" Side Inlet, 2" Vent	-	4,301.00
-1ND43	4" No-Hub Stack, Double Inlet, (1) 3" Side Inlet, 2" Vent	-	4,301.00
-2N4	4" No-Hub Stack, Single Inlet, (2) 4" Side Inlets, 2" Right-Hand Vent	2,986.00	-
-2N43	4" No-Hub Stack, Single Inlet, (2) 3" Side Inlets, 2" Right-Hand Vent	2,986.00	-
-2ND4	4" No-Hub Stack, Double Inlets, (2) 4" Side Inlets, 2" Vent	-	4,683.00
-2ND43	4" No-Hub Stack, Double Inlets, (2) 3" Side Inlets, 2" Vent	-	4,683.00

SUFFIXES	DESCRIPTION	SINGLE	DOUBLE
-A	Auxiliary Support Assembly (Required For P-Dim. Greater than 18")	1,068.00	2,132.00
-B	Blowout Type Fixture Support	N/C	N/C
-CC	Corrosion Resistant Cast Iron Coupling (6" to 12")	N/C	N/C
-CL	Custom length greater than 12"- Per Inch (Specify Length)	130.00	254.00
-JL	2" Left-Hand Auxiliary Inlet	453.00	453.00
-JR	2" Right-Hand Auxiliary Inlet	453.00	453.00
-M	Auxiliary Foot Support (Required For P-Dim. 10" thru 18")	403.00	801.00
-VP	Vandal-Proof Trim	173.00	336.00
-X3	3" Foot Extension Assembly	113.00	221.00
-X4	4" Foot Extension Assembly	144.00	283.00
⌚ -45	Finishing Frame for Siphon Jet System (For Blowout System specify -45-B)	107.00	208.00
⌚ -50	Flush Valve Supply Support for Water Closet (Previously Z1210-50)	113.00	221.00

DEDUCT	
-F	Floor Mounted, Back Outlet Fixture Support -198.00 -392.00
BEST SELLERS	
Z1204-1-ND4	4,301.00
Z1204-1-NL4	2,609.00
Z1204-N4	2,224.00
Z1204-ND4	3,934.00

Z1204-ND (Double)



Items designated as Best Sellers are most specified and are generally in stock for shipment.
 ⌚ This symbol denotes a product that is engineered to reduce installation and rework time.
 For Additional System Tools See "Z1200 Carrier Tools and Accessories" on page 204

*Regularly furnished unless otherwise specified.
 For additional product information, please visit www.zurn.com

Z1207-N ADJUSTABLE HORIZONTAL HIGH ROUGH-IN SIPHON JET – NO-HUB



ENGINEERING SPECIFICATION

Zurn Z1207-N() adjustable, horizontal, high rough-in siphon jet water closet provides a rigid system with 4" size no-hub connections. Comes complete with Dura-Coated cast iron right-hand, left-hand, or double main fitting, with 2" vent, adjustable gasketed faceplate, universal floor mounted foot supports, corrosion resistant adjustable ABS coupling with integral test cap, fixture bolts, trim, and stud protectors. Rear anchor tie down and bonded "Neo-Seal" gasket.

NOTES

1. 13-1/2" minimum space required between front of foot and rear of anchor to install Z1207-N4 Series.
2. Minimum "P" dimension obtainable = 2".
3. Feet anchored to floor using minimum 1/2" diameter anchors through rear slots on carrier feet.
4. Rear anchor foot required for secure installation.

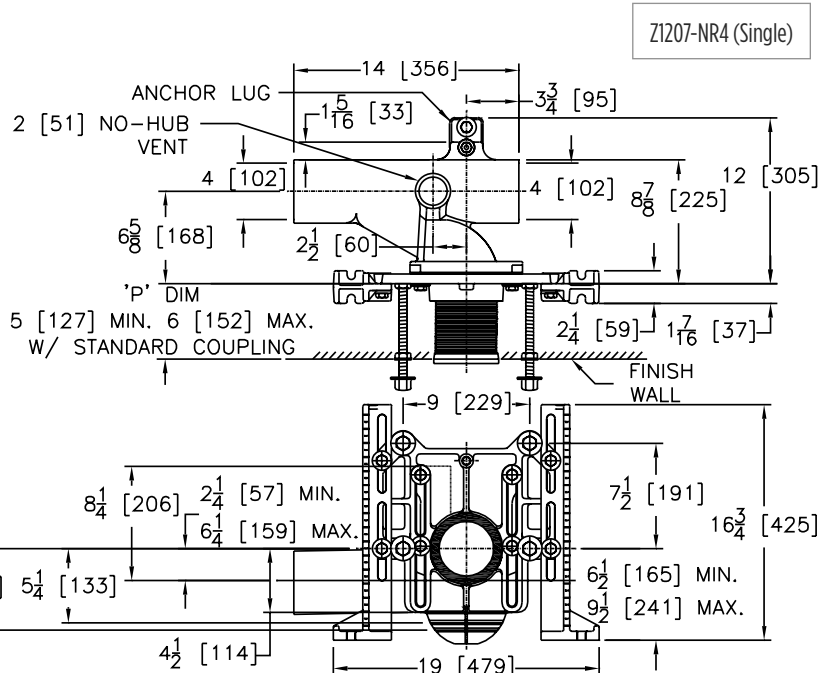


Z1200-CPLGWRNCH-4

Product Number	Approximate Weight lb [kg]
Z1207-NL4	87 [39]
Z1207-NR4	115 [52]

PREFIXES	DESCRIPTION	SINGLE	DOUBLE
Z1207*	D.C.C.I. System with 4" Adjustable Coupling	Combine with Fitting Type for Pricing	
ZQ1207	D.C.C.I. System with NPT Faceplate Non-Adjustable Coupling		

FITTING TYPE			
-NR4	4" No-Hub Right-Hand Inlet with Flow to Left	1,964.00	-
-NL4	4" No-Hub Left-Hand Inlet with Flow to Right	1,964.00	-
-ND4	4" No-Hub Back-to-Back Inlet (Double)	-	3,674.00
SUFFIXES			
			ADD
-A	Auxiliary Support Assembly (Required For P-Dim. Greater than 18")	1,068.00	2,132.00
-B	Blowout Type Fixture Support	N/C	N/C
-CC	Corrosion Resistant Cast Iron Coupling (6" to 12")	N/C	N/C
-CL	Custom length greater than 12" - Per Inch (Specify Length)	130.00	254.00
-M	Auxiliary Foot Support (Required For P-Dim. 10" thru 18")	403.00	801.00
-VP	Vandal-Proof Trim	173.00	336.00
-X3	3" Foot Extension Assembly	113.00	221.00
-X4	4" Foot Extension Assembly	144.00	283.00
ⓐ -45	Finishing Frame for Siphon Jet System (For Blowout System specify -45-B)	107.00	208.00
ⓑ -50	Flush Valve Supply Support for Water Closet (Previously Z1210-50)	113.00	221.00
DEDUCT			
-F	Floor Mounted, Back Outlet Fixture Support	-198.00	-392.00



*Regularly furnished unless otherwise specified.

For additional product information, please visit www.zurn.com

Items designated as Best Sellers are most specified and are generally in stock for shipment.

ⓐ This symbol denotes a product that is engineered to reduce installation and rework time.

For Additional System Tools See "Z1200 Carrier Tools and Accessories" on page 204

Z1208-N VERTICAL SIPHON JET WATER CLOSET SUPPORT SYSTEM – NO-HUB

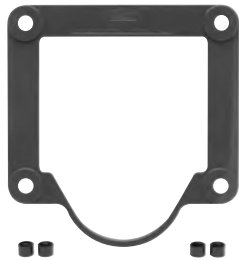


ENGINEERING SPECIFICATION

Zurn Z1208-N() vertical siphon jet water closet provides a rigid system with () size no-hub connections. Comes complete with Dura-Coated cast iron main fitting, separable faceplate rigidly mounted on fitting, universal floor mounted foot supports, corrosion resistant adjustable polymer coupling with integral test cap, fixture bolts, trim, and stud protectors. Includes rear anchor tie down, and bonded Neo-Seal gasket.

NOTES

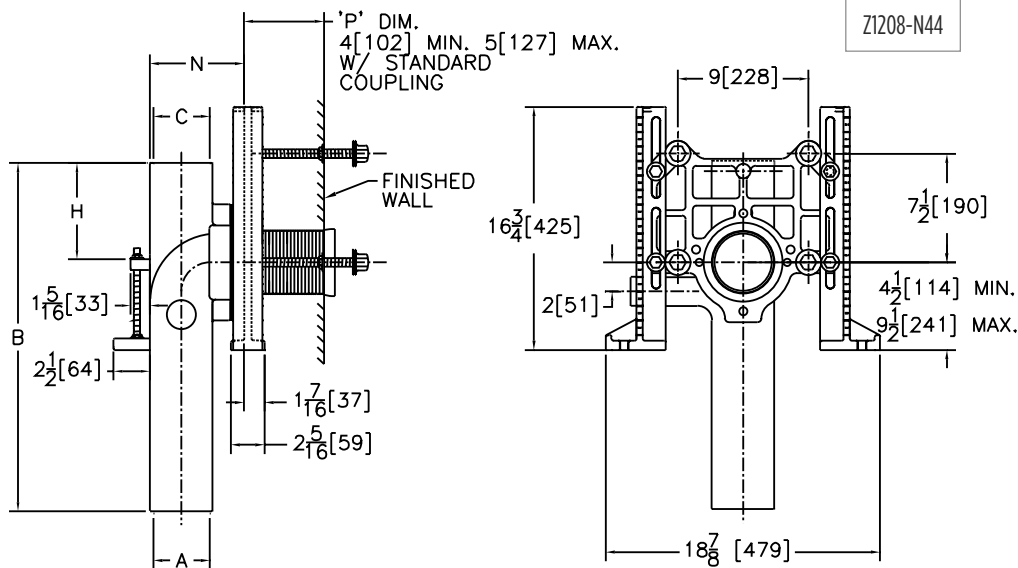
1. Minimum "P" dimension obtainable = 2".
2. Feet anchored to floor using minimum 1/2" diameter anchors through rear slots on carrier feet.
3. Rear anchor foot required for secure installation.



Z1200-FINFRAME-SJ

Product Number	Dimensions in inches [mm]					Approximate Weight lb [kg]
	A	B	C	H	N	
Z1208-N32	3 [76]	18 [457]	2 [51]	4-3/8 [111]	6-1/4 [159]	60 [27]
Z1208-N42	4 [102]	24 [610]		4-7/8 [124]	6-5/8 [168]	70 [32]
Z1208-N44			4 [102]	6-1/2 [165]		72 [33]

PREFIXES	DESCRIPTION	
Z1208*	D.C.C.I. System with 4" Adjustable Coupling	Combine with Fitting Type for Pricing
FITTING TYPE		
-N32	3" No-Hub, 2" No-Hub Vent	1,770.00
-N42	4" No-Hub, 2" No-Hub Vent	1,770.00
-N44	4" No-Hub, 4" No-Hub Vent	1,770.00
SUFFIXES		ADD
-A	Auxiliary Support Assembly (Required For P-Dim. Greater than 18")	1,068.00
-B	Blowout Type Fixture Support	N/C
-CC	Corrosion Resistant Cast Iron Coupling (6" to 12")	N/C
-CL	Custom length greater than 12" - Per Inch (Specify Length)	130.00
-JJ	Two 2" Auxiliary Inlets	898.00
-JL	2" Left-Hand Auxiliary Inlet	453.00
-JR	2" Right-Hand Auxiliary Inlet	453.00
-M	Auxiliary Foot Support (Required For P-Dim. 10" thru 18")	403.00
-VP	Vandal-Proof Trim	173.00
-X3	3" Foot Extension Assembly	113.00
-X4	4" Foot Extension Assembly	144.00
ⓐ -45	Finishing Frame for Siphon Jet System (For Blowout System specify -45-B)	107.00
ⓑ -50	Flush Valve Supply Support for Water Closet	113.00
		DEDUCT
-F	Floor Mounted, Back Outlet Fixture Support	-198.00
BEST SELLERS		LIST PRICE
Z1208-N32		1,770.00
Z1208-N42		1,770.00
Z1208-N44		1,770.00



Items designated as Best Sellers are most specified and are generally in stock for shipment.
 ⓐ This symbol denotes a product that is engineered to reduce installation and rework time.
 For Additional System Tools See "Z1200 Carrier Tools and Accessories" on page 204

*Regularly furnished unless otherwise specified.
 For additional product information, please visit www.zurn.com

Z1208-H VERTICAL SIPHON JET WATER CLOSET SUPPORT SYSTEM – HUB AND SPIGOT



ENGINEERING SPECIFICATION

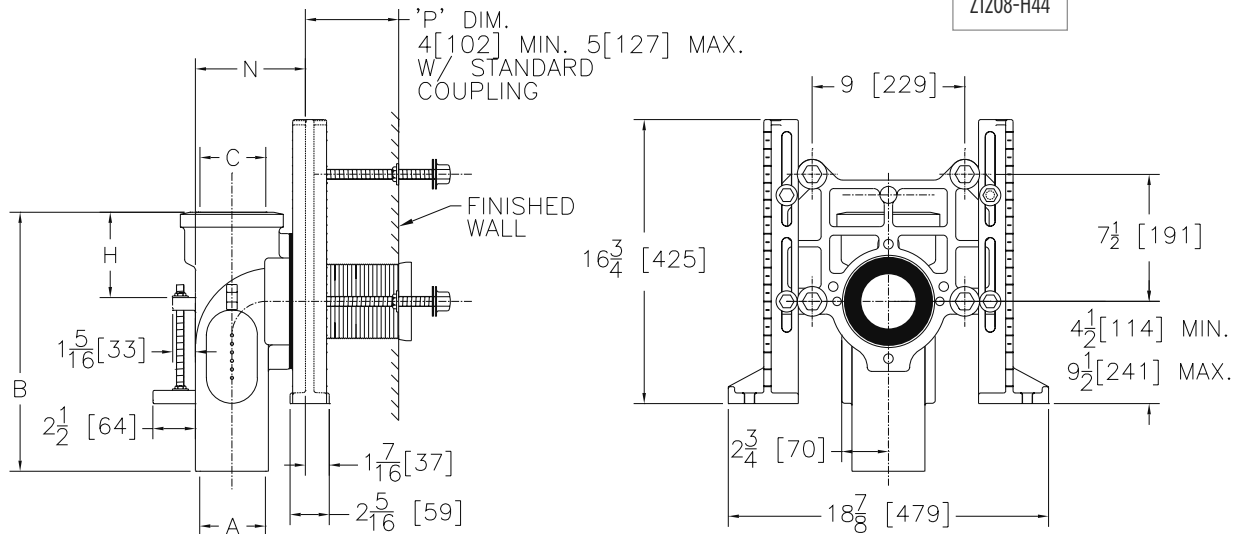
Zurn Z1208-H() vertical siphon jet water closet provides a rigid system with () size hub and spigot connections. Comes complete with Dura-Coated cast iron main fitting, separable faceplate rigidly mounted on fitting, universal floor mounted foot supports, corrosion resistant adjustable polymer coupling with integral test cap, fixture bolts, trim, and stud protectors. Includes rear anchor tie down, and bonded Neo-Seal gasket.

NOTES

1. Minimum "P" dimension obtainable = 2".
2. Feet anchored to floor using minimum 1/2" diameter anchors through rear slots on carrier feet.
3. Rear anchor foot required for secure installation.

Product Number	Dimensions in inches [mm]					Approximate Weight lb [kg]
	A	B	C	H	N	
Z1208-H42	4 [102]	14-3/4 [375]	2 [51]	4-3/8 [111]	6-1/4 [159]	60 [27]
Z1208-H44		15-1/4 [387]	4 [102]	4-7/8 [124]	7-5/16 [186]	63 [29]

PREFIXES	DESCRIPTION	Combine with Fitting Type for Pricing
Z1208*	D.C.C.I. System with 4" Adjustable Coupling	
FITTING TYPE		
-H42	4" Spigot, 2" Hub Vent	1,817.00
-H44	4" Spigot, 4" Hub Vent	1,817.00
SUFFIXES		
-B	Blowout Type Fixture Support	N/C
-CC	Corrosion Resistant Cast Iron Coupling (6" to 12")	N/C
-CL	Custom length greater than 12" - Per Inch (Specify Length)	130.00
-JJ	Two 2" Auxiliary Inlets	898.00
-JL	2" Left-Hand Auxiliary Inlet	453.00
-JR	2" Right-Hand Auxiliary Inlet	453.00
-M	Auxiliary Foot Support (Required For P-Dim. 10" - 18")	403.00
-VP	Vandal-Proof Trim	173.00
-X3	3" Foot Extension Assembly	113.00
-X4	4" Foot Extension Assembly (Previously Z1210-29)	144.00
Ⓞ -45	Finishing Frame for Siphon Jet System (For Blowout System specify -45-B)	107.00
Ⓞ -50	Flush Valve Supply Support for Water Closet	113.00
DEDUCT		
-F	Floor Mounted, Back Outlet Fixture Support	-198.00



*Regularly furnished unless otherwise specified.

For additional product information, please visit www.zurn.com

Items designated as Best Sellers are most specified and are generally in stock for shipment.

Ⓞ This symbol denotes a product that is engineered to reduce installation and rework time.

For Additional System Tools See "Z1200 Carrier Tools and Accessories" on page 204

Z1209-N VERTICAL OFFSET SIPHON JET WATER CLOSET SUPPORT SYSTEM – NO-HUB



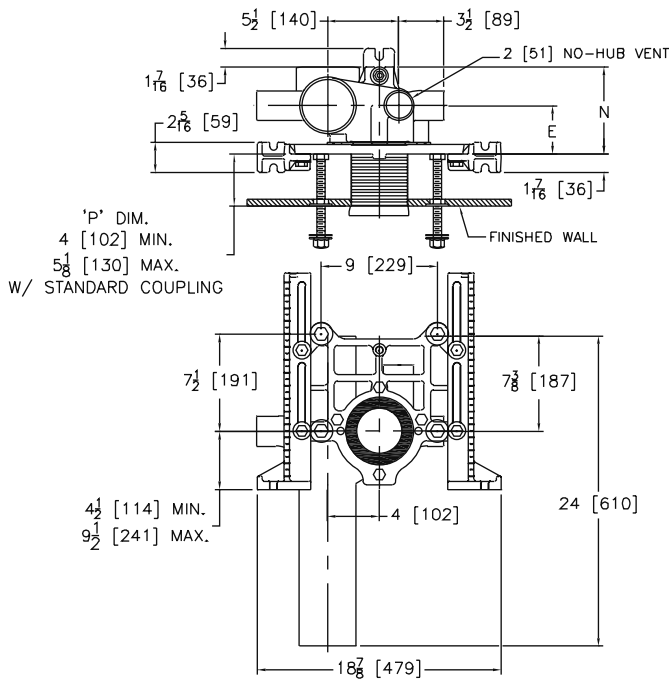
ENGINEERING SPECIFICATION

Zurn Z1209-N()4 vertical offset siphon jet water closet provides a rigid system with () size no-hub connections and 2" vent. Comes complete with Dura-Coated cast iron main fitting, universal floor mounted supports, adjustable faceplate, corrosion resistant adjustable polymer coupling with integral test cap, fixture bolts, trim, and stud protectors. Includes rear anchor tie down and bonded Neo-Seal gasket.

NOTES

1. Minimum "P" dimension obtainable = 2".
2. Feet anchored to floor using minimum 1/2" diameter anchors through rear slots on carrier feet.
3. Rear anchor foot required for secure installation.

Z1209-NR



Product Number	Dimensions in inches [mm]		Approximate Weight lb [kg]
	A	B	
Z1209-NL4	3-3/4 [95]	6-3/4 [171]	67 [30]
Z1209-NR4	4-1/8 [104]	8-1/4 [210]	109 [49]

PREFIXES	DESCRIPTION	Combine with Fitting Type for Pricing
Z1209*	D.C.C.I. System with 4" Adjustable Coupling	

FITTING TYPE			
-NL4	4" No-Hub Stack, Left-Hand Offset Inlet, 2" Left-Hand Vent	1,754.00	-
-NR4	4" No-Hub Stack, Right-Hand Offset Inlet, 2" Right-Hand Vent	1,754.00	-
-ND4	4" No-Hub Stack, Double Inlet, 2" Vent	-	3,011.00

SUFFIXES		ADD	
-B	Blowout Type Fixture Support	N/C	N/C
-CC	Corrosion Resistant Cast Iron Coupling (6" to 12")	N/C	N/C
-CL	Coupling Length Greater than 12"- Per Inch (Specify Length)	130.00	254.00
-JJ	Two 2" Auxiliary Inlets	898.00	898.00
-JS	Stack Side 2" Auxiliary Inlet	453.00	453.00
-JV	Vent Side 2" Auxiliary Inlet	453.00	453.00
-M	Auxiliary Foot Support (Required for P-Dim. 10" thru 18")	403.00	801.00
ⓐ -PF	Pre-Fab Foot	N/C	N/C
ⓐ -PS	Pre-Fab Slotted Foot	N/C	N/C
ⓐ -RYK	Unistrut Pre-Fab Foot	N/C	N/C
-VP	Vandal-Proof Trim	173.00	336.00
-X3	3" Foot Extension Assembly	113.00	221.00
-X4	4" Foot Extension Assembly	144.00	283.00
ⓐ -45	Finishing Frame for Siphon Jet System (For Blowout System specify -45-B)	107.00	208.00
ⓐ -50	Flush Valve Supply Support for Water Closet (Previously Z1210-50)	113.00	221.00

DEDUCT			
-F	Floor Mounted, Back Outlet Fixture Support	-198.00	-392.00

BEST SELLERS		LIST PRICE
Z1209-ND4-JV		3,464.00
Z1209-NL4		1,754.00
Z1209-NR4		1,754.00

Items designated as Best Sellers are most specified and are generally in stock for shipment.
 ⓐ This symbol denotes a product that is engineered to reduce installation and rework time.
 For Additional System Tools See "Z1200 Carrier Tools and Accessories" on page 204

*Regularly furnished unless otherwise specified.
 For additional product information, please visit www.zurn.com

ZN1209-N VERTICAL OFFSET SIPHON JET – NO-HUB NARROW WALL SYSTEM



ENGINEERING SPECIFICATION

Zurn ZN1209-N() 4 narrow wall vertical offset siphon jet water closet provides a rigid system with 4" size no-hub connection and 2" vent. Comes complete with Dura-Coated cast iron main fitting, separable faceplate rigidly mounted on fitting, universal floor mounted supports, corrosion resistant adjustable ABS coupling with integral test cap, fixture bolts, trim, and stud protectors. Includes rear anchor tie down and bonded Neo-Seal gasket.

NOTES

1. Feet anchored to floor using minimum 1/2" diameter anchors through rear slots on carrier feet.
2. Rear anchor foot required for secure installation.

Product Number	Approximate Weight lb [kg]
ZN1209-NL4	67 [30]
ZN1209-NR4	
ZN1209-ND4	109 [49]

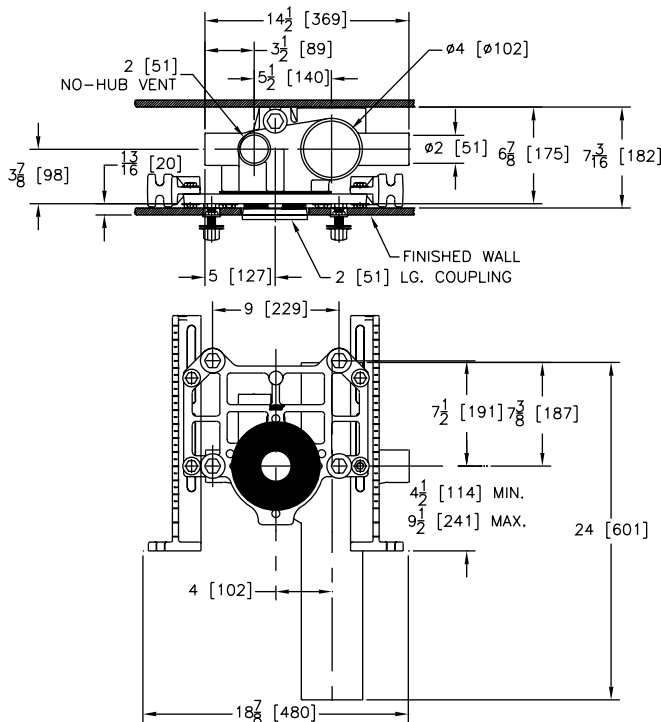
PREFIXES	DESCRIPTION	SINGLE	DOUBLE
ZN1209*	D.C.C.I. System with 4" Adjustable Coupling	Combine with Fitting Type for Pricing	

FITTING TYPE			
-NL4	4" No-Hub Stack, Left-Hand Offset Inlet, 2" Left-Hand Vent	1,754.00	-
-NR4	4" No-Hub Stack, Right-Hand Offset Inlet, 2" Right-Hand Vent	1,754.00	-
-ND4	4" No-Hub Stack, Double Inlet, 2" Vent	-	3,011.00

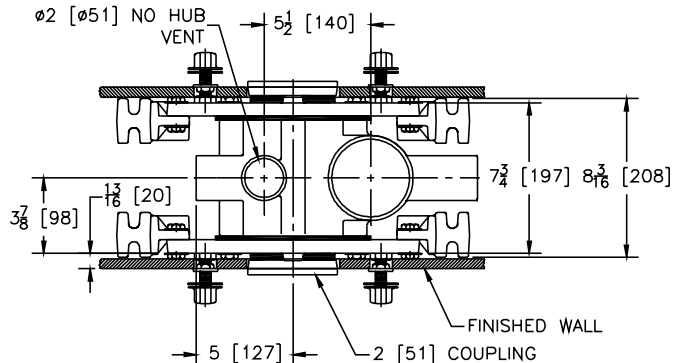
SUFFIXES		SINGLE	DOUBLE
-B	Blowout Type Fixture Support	N/C	N/C
-CC	Corrosion Resistant Cast Iron Coupling (6" to 12")	N/C	N/C
-JJ	Two 2" Auxiliary Inlets	898.00	898.00
-JS	2" Stack Side Auxiliary Inlet	453.00	453.00
-JV	2" Vent Side Auxiliary Inlet	453.00	453.00
-VP	Vandal-Proof Trim	173.00	336.00
-X3	3" Foot Extension Assembly	113.00	221.00
-X4	4" Foot Extension Assembly	144.00	283.00
Ⓞ -45	Finishing Frame for Siphon Jet System (For Blowout System specify -45-B)	107.00	208.00
Ⓞ -50	Flush Valve Supply Support for Water Closet (Previously Z1210-50)	113.00	221.00

BEST SELLERS	LIST PRICE
ZN1209-ND4	3,011.00
ZN1209-NL4	1,754.00
ZN1209-NL4-JS	2,207.00
ZN1209-NR4	1,754.00

ZN1209-NL4 (Single)



ZN1209-ND4 (Double)



*Regularly furnished unless otherwise specified.

For additional product information, please visit www.zurn.com

Items designated as Best Sellers are most specified and are generally in stock for shipment.

Ⓞ This symbol denotes a product that is engineered to reduce installation and rework time.

For Additional System Tools See "Z1200 Carrier Tools and Accessories" on page 204

Z1212 WALL CLOSET SUPPORT SYSTEM



ENGINEERING SPECIFICATION

Zurn Z1212 Dura-Coated cast iron wall closet support system comes complete with adjustable faceplate rigidly mounted on reversible foot supports, ABS coupling with integral test cap, fixture bolts, trim, stud protectors, and bonded Neo-Seal gasket.

NOTES

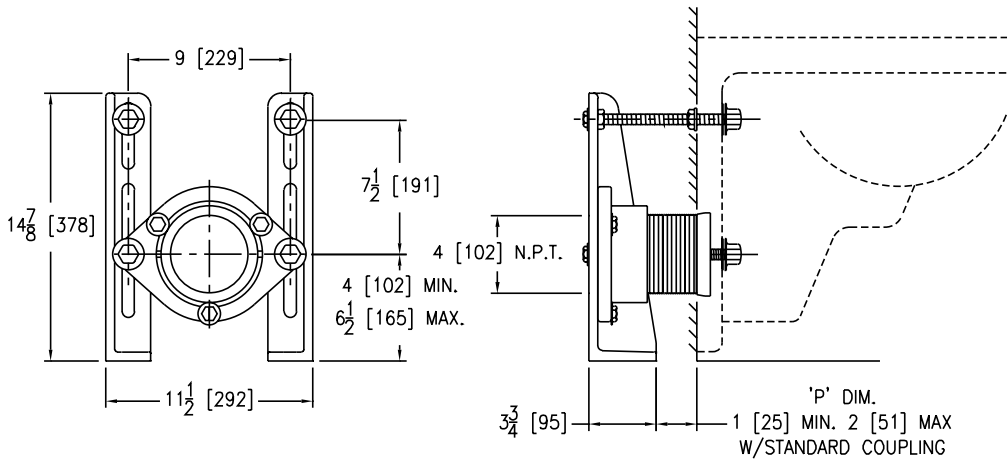
1. For plastic pipe installation, use male thread by socket adaptor – DO NOT THREAD PLASTIC PIPE. (Per ASTM Specification #D2665 X1.6.1.)
2. Piping must be rigidly secured to prevent deflection (by others).

Product Number	Approximate Weight lb [kg]
Z1212	30 [14]

PREFIXES	DESCRIPTION	PIPE SIZE	LIST PRICE
Z1212	D.C.I. System with 6" Adjustable Coupling	4"	1,068.00

SUFFIXES	ADD	
-B	Adapter for Blowout Type Fixture Support	N/C
-CL	Custom length greater than 12" - Per Inch (Specify Length)	130.00
-F	Floor Mounted, Back Outlet Fixture Support	198.00
-VP	Vandal-Proof Finish Trim	173.00
-X4	4" Foot Extension Assembly	144.00
Ⓢ -45	Finishing Frame for Siphon Jet System (For Blowout System specify -45-B)	107.00

BEST SELLERS	LIST PRICE
Z1212-B	1,068.00
Z1212-F	1,262.00



Items designated as Best Sellers are most specified and are generally in stock for shipment.

Ⓢ This symbol denotes a product that is engineered to reduce installation and rework time.

For Additional System Tools See "Z1200 Carrier Tools and Accessories" on page 204

*Regularly furnished unless otherwise specified.

For additional product information, please visit www.zurn.com

Z1213-N 4" VERTICAL SIPHON JET WATER CLOSET SUPPORT SYSTEM – 2" OR 4" TOP VENT CLOSET FITTING ONLY (NO SUPPORT)



ENGINEERING SPECIFICATION

Zurn Z1213-N4() vertical siphon jet water closet provides a rigid system with 4" No-Hub connection and 2" or 4" (specify) top vent connection. Comes complete with Dura-Coated cast iron main fitting, corrosion-resistant, adjustable ABS coupling with integral test cap, bolt kit, and bonded Neo-Seal gasket for floor mounted back outlet water closet. Standard fixture support is not required.

NOTES

Minimum "P" dimension obtainable = 1-1/4" [32].

Product Number	A Vent Size	Approximate Weight lb [kg]
Z1213-N42	2 [51]	19 [9]
Z1213-N44	4 [102]	

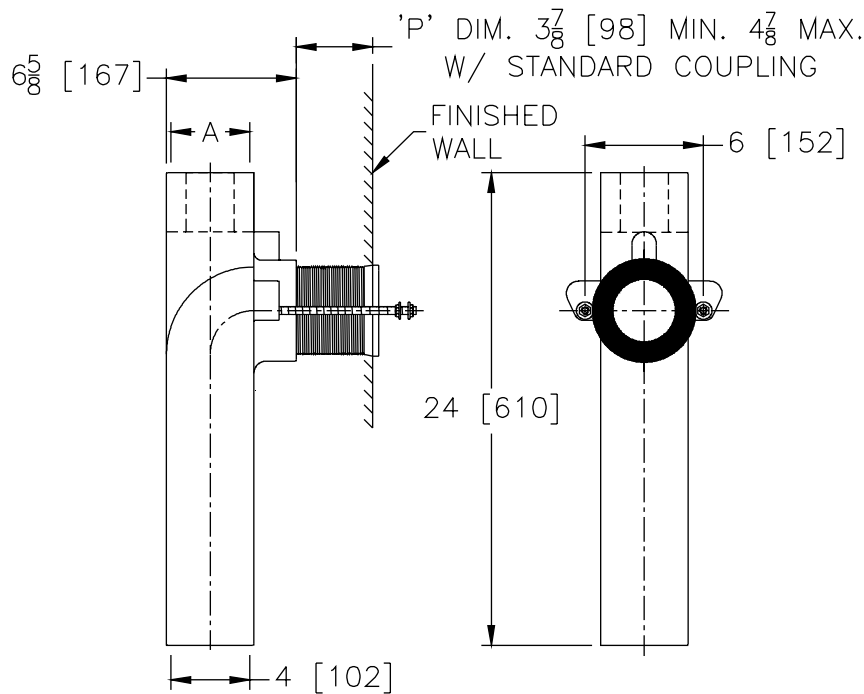
PREFIXES	DESCRIPTION	"A" VENT SIZE	LIST PRICE
Z1213*	D.C.C.I. System with 4" Adjustable Coupling	2"	Combine with Fitting Type for Pricing

FITTING TYPE			
-N42	4" No-Hub, 2" No-Hub Vent		1,804.00
-N44	4" No-Hub, 4" No-Hub Vent		1,804.00

SUFFIXES	ADD
-CC	Corrosion Resistant Cast Iron Coupling - 6" thru 12" long (Cannot be used with -CL) N/C
-CL	Coupling Length Greater than 12" - Per inch (Cannot be used with -CC) 130.00

BEST SELLER	LIST PRICE
Z1213-N42	1,804.00

Z1213-N44



*Regularly furnished unless otherwise specified.

For additional product information, please visit www.zurn.com

Items designated as Best Sellers are most specified and are generally in stock for shipment.

Ⓢ This symbol denotes a product that is engineered to reduce installation and rework time.

For Additional System Tools See "Z1200 Carrier Tools and Accessories" on page 204

Z1216 90° DOUBLE NO-HUB SYSTEM FOR FLOOR MOUNTED BACK OUTLET WATER CLOSETS

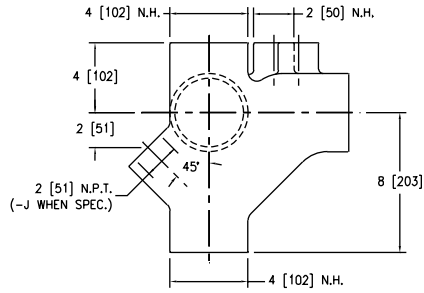
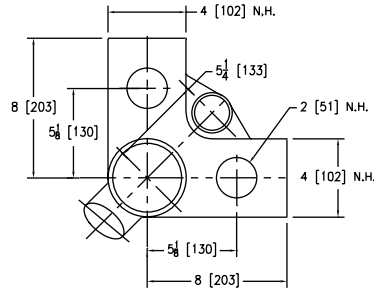


ENGINEERING SPECIFICATION

Zurn Z1216 Dura-Coated cast iron 90° water closet features double no-hub fitting with anti-crossover baffles and 2" no-hub center vent for floor mounted, back outlet water closets.

Product Number	Approximate Weight lb [kg]
Z1216	31 [14]

PREFIXES	DESCRIPTION	VENT SIZE	LIST PRICE
Z1216*	D.C.C.I. No-Hub System	2"	2,032.00
SUFFIXES			ADD
-J	45° Auxiliary Inlet		453.00



Items designated as Best Sellers are most specified and are generally in stock for shipment.
 ⌚ This symbol denotes a product that is engineered to reduce installation and rework time.
 For Additional System Tools See "Z1200 Carrier Tools and Accessories" on page 204

*Regularly furnished unless otherwise specified.
 For additional product information, please visit www.zurn.com

Z1217 COUPLING TYPE SYSTEM – WALL URINAL/SERVICE SINK



ENGINEERING SPECIFICATION

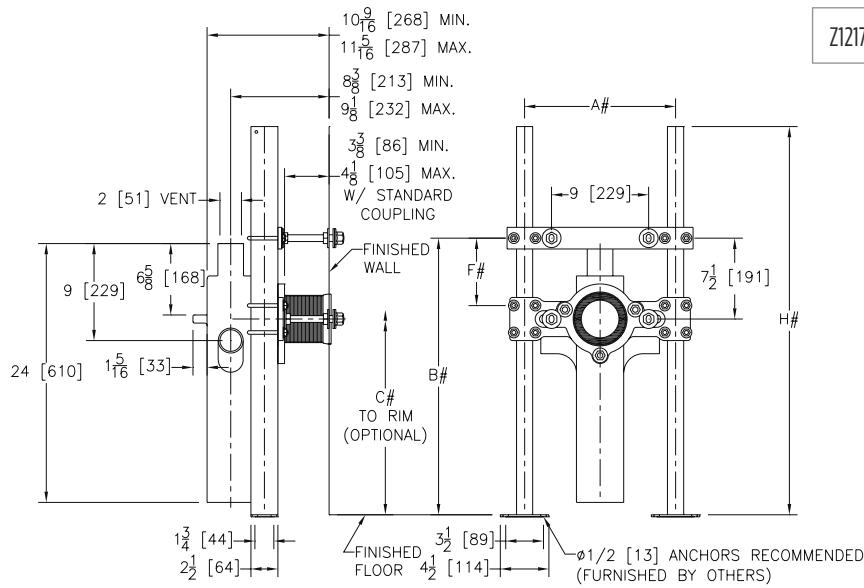
Zurn Z1217 service sink support system with fitting. Complete with Dura-Coated rectangular steel uprights with welded feet, adjustable face plate and upper support plate, Z1208 fitting with 2" vent, corrosion-resistant adjustable ABS coupling with internal test cap, fixture bolts, trim and bonded "Neo-Seal" gasket.

NOTES

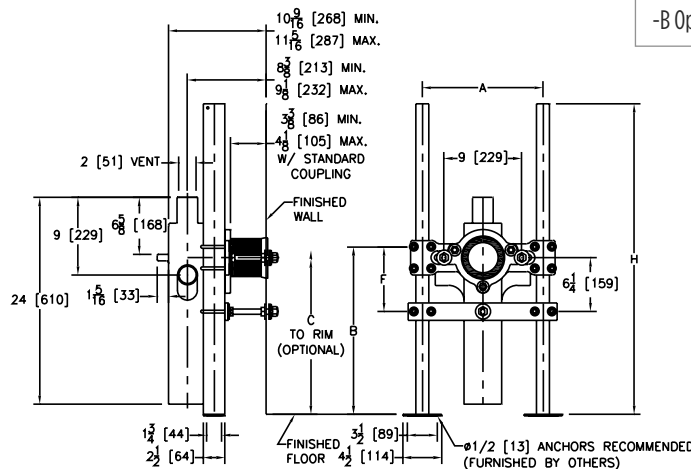
Dimensional data for letter dimensions depends on fixture type and manufacturer. See Zurn Carrier/Fixture Rough-In information at www.zurn.com for specific rough-in dimensions.

Product Number	Outlet inch [mm]	Approximate Weight lb [kg]
Z1217	4 [102]	63 [29]

PREFIXES	DESCRIPTION	VENT SIZE	LIST PRICE
Z1217*	D.C.C.I. No-Hub System with "ZZ" Coupling	2"	1,776.00
SUFFIXES			ADD
-B	Blow-Out Type Fixture Support		N/C
-CC	Corrosion Resistant 6" Long Cast Iron Coupling		N/C
-CL	Custom length greater than 6" - Per Inch (Specify Length)		78.00
-F4	Z1208 Fitting with 4" Vent		N/C
-F32	3" Z1208 Fitting with 4" Vent		N/C
-VP	Vandal-Proof Trim		165.00
-WS	Wall Support Valve Plate (Specify Valve Name and Number)		189.00
BEST SELLERS			LIST PRICE
Z1217-B			1,776.00
Z1217-B-F32			1,776.00
Z1217-F2			1,776.00



REFER TO ROUGH-IN GUIDE OF SPECIFIC FIXTURE FOR DIMENSION



*Regularly furnished unless otherwise specified.

For additional product information, please visit www.zurn.com

Items designated as Best Sellers are most specified and are generally in stock for shipment.

Ⓢ This symbol denotes a product that is engineered to reduce installation and rework time.

For Additional System Tools See "Z1200 Carrier Tools and Accessories" on page 204

Z1218 COUPLING TYPE SYSTEM – WALL URINAL/SERVICE SINK



ENGINEERING SPECIFICATION

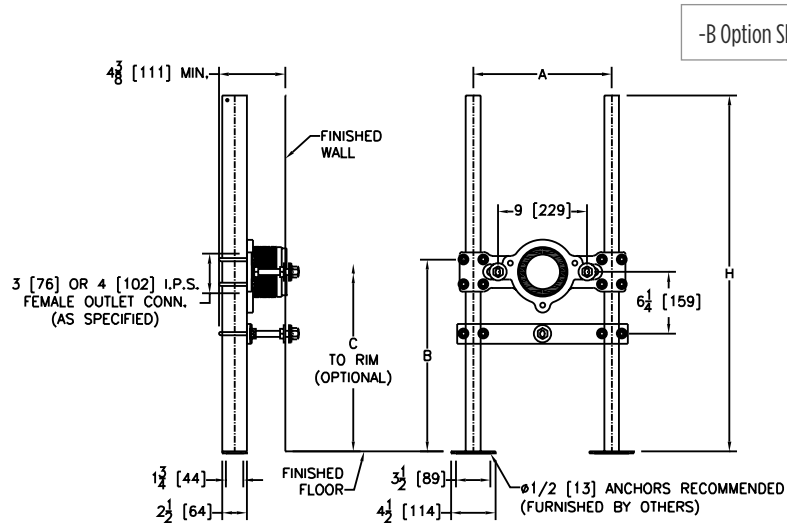
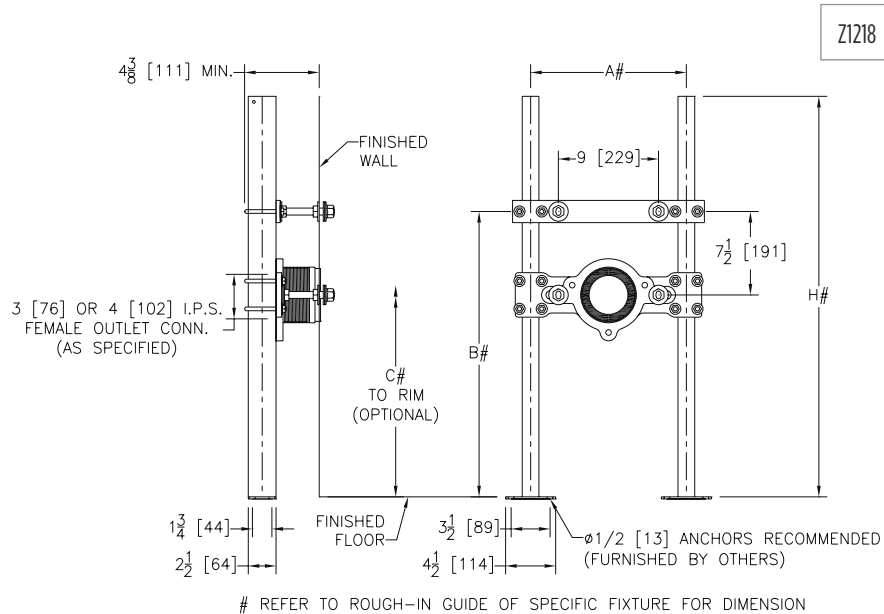
Zurn Z1218 service sink support system comes complete with Dura-Coated rectangular steel uprights with welded feet, adjustable faceplate and upper support plate, adjustable corrosion-resistant coupling, fixture bolts, trim, and bonded Neo-Seal gasket.

NOTES

Dimensional data for letter dimensions depends on fixture type and manufacturer. See Zurn Carrier/Fixture Rough-In information at www.zurn.com for specific rough-in dimensions.

Product Number	Outlet inch [mm]	Approximate Weight lb [kg]
Z1218	3 [76], 4 [102]	63 [29]

PREFIXES	DESCRIPTION	LIST PRICE
Z1218*	Dura-Coated System with Adjustable Coupling	1,482.00
SUFFIXES		ADD
-B	Blow-Out Type Fixture Support	N/C
-VP	Vandal-Proof Trim	165.00
-WS	Wall Support Valve Plate (Specify Valve Name and Number)	189.00
BEST SELLERS		LIST PRICE
Z1218-3		1,482.00
Z1218-3IP-B		1,482.00
Z1218-4		1,482.00
Z1218-4IP-B		1,482.00



Items designated as Best Sellers are most specified and are generally in stock for shipment.
 ⌚ This symbol denotes a product that is engineered to reduce installation and rework time.
 For Additional System Tools See "Z1200 Carrier Tools and Accessories" on page 204

*Regularly furnished unless otherwise specified.
 For additional product information, please visit www.zurn.com

INTRO
 ROOF DRAINS
 FLOOR DRAINS
 I, P, BW VALVES
 INTERCEPTORS
 CARRIERS
 HYDRANTS
 CLEANOUTS
 WHA
 SS DRAINS
 SANI-FLOOR
 TECH INFO

Z1221 PLATE TYPE SYSTEM – WALL URINALS



ENGINEERING SPECIFICATION

Zurn Z1221 wall urinal support system with top support plate comes complete with Dura-Coated rectangular steel uprights with welded feet, adjustable support plate, and mounting fasteners.

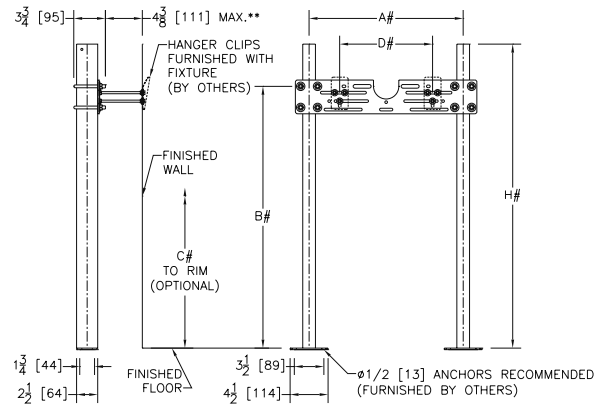
NOTES

Dimensional data for letter dimensions depends on fixture type and manufacturer. See Zurn Carrier/Fixture Rough-In information at www.zurn.com for specific rough-in dimensions.

BEST SELLERS	LIST PRICE
Z1221-UNIV	930.00
Z1221-UNIV-42	930.00
Z1221-UNIV-48	930.00

Product Number	Approximate Weight lb [kg]
Z1221	28 [13]

PREFIXES	DESCRIPTION	SINGLE	DOUBLE
Z1221*	Dura-Coated System with Universal Plate	930.00	1,230.00
SUFFIXES		ADD	
⓪ -EZ	Easy-to-Install Assembly	321.00	636.00
-58	Flush Valve Supply Support	113.00	221.00



** WITH STANDARD STUD LENGTH OF 6 [152]
REFER TO ROUGH-IN GUIDE OF SPECIFIC FIXTURE FOR DIMENSIONS

Z1222 PLATE TYPE SYSTEM – WITH BEARING PLATE



ENGINEERING SPECIFICATION

Zurn Z1222 wall urinal support system comes complete with Dura-Coated carbon structural steel rectangular tubing uprights, conforming to ASTM A500 Grade C, with welded base feet having slotted floor anchor holes. Lower bearing plate is vertically adjustable with slot to accommodate bearing jack placement. Upper Universal hanger plate is pre-notched for back spud inlet and designed for various hardware positions and fixtures. Includes mounting fasteners and hardware.

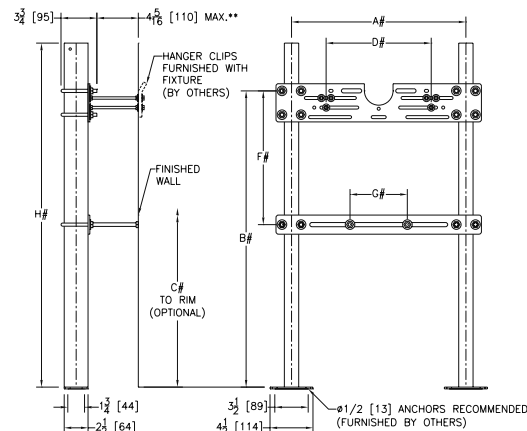
NOTES

Dimensional data for letter dimensions depends on fixture type and manufacturer. See Zurn Carrier/Fixture Rough-In information at www.zurn.com for specific rough-in dimensions.

BEST SELLERS	LIST PRICE
Z1222-UNIV	1,040.00
Z1222-UNIV-42	1,040.00
Z1222-(See Carrier Code Book)	POA

Product Number	Approximate Weight lb [kg]
Z1222	30 [14]

PREFIXES	DESCRIPTION	SINGLE	DOUBLE
Z1222*	Dura-Coated System with Universal Plate	1,040.00	1,448.00
SUFFIXES		ADD	
⓪ -EZ	Easy-to-Install Assembly	321.00	636.00
⓪ -UA	Urinal Adapter	231.00	460.00
-58	Flush Valve Supply Support	113.00	221.00



**WITH STANDARD STUD LENGTH OF 6 [152]
REFER TO ROUGH-IN GUIDE OF SPECIFIC FIXTURE FOR DIMENSION

*Regularly furnished unless otherwise specified.

For additional product information, please visit www.zurn.com

Items designated as Best Sellers are most specified and are generally in stock for shipment.

⓪ This symbol denotes a product that is engineered to reduce installation and rework time.

For Additional System Tools See "Z1200 Carrier Tools and Accessories" on page 204

Z1223 PLATE TYPE SYSTEM – TROUGH URINALS

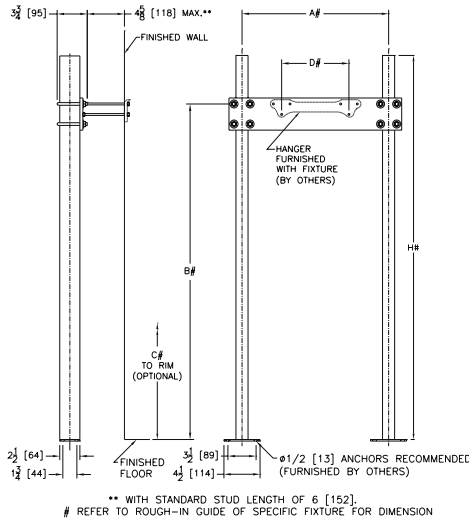


ENGINEERING SPECIFICATION

Zurn Z1223 lavatory support system with top support plate comes complete with Dura-Coated rectangular steel uprights with welded feet, adjustable support plate, and mounting fasteners.

NOTES

Dimensional data for letter dimensions depends on fixture type and manufacturer. See Zurn Carrier/Fixture Rough-In information at www.zurn.com for specific rough-in dimensions.



Z1223 (Single)

Product Number	Approximate Weight lb [kg]
Z1223	33 [15]

PREFIXES	DESCRIPTION	LIST PRICE
Z1223*	Dura-Coated System with Support Plate	2,378.00
SUFFIXES		ADD
-1	Longer Urinal (For Ea. 1' over 5') Per Foot	482.00
-2	Bearing Plate Assembly	223.00

Z1224 PLATE TYPE SYSTEM – LAVATORY WITH BACK

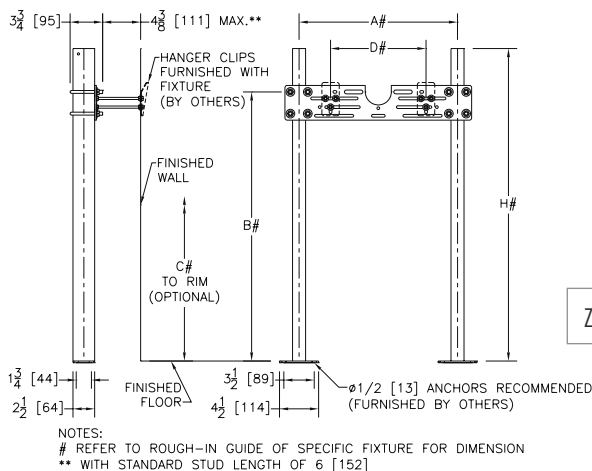


ENGINEERING SPECIFICATION

Zurn Z1224 lavatory support system with top support plate comes complete with Dura-Coated rectangular steel uprights with welded feet, adjustable support plate, and mounting fasteners.

NOTES

Dimensional data for letter dimensions depends on fixture type and manufacturer. See Zurn Carrier/Fixture Rough-In information at www.zurn.com for specific rough-in dimensions.



Z1224 (Single)

Product Number	Approximate Weight lb [kg]
Z1224	28 [13]
Z1224-D	52 [24]

PREFIXES	DESCRIPTION	SINGLE	DOUBLE
Z1224*	Dura-Coated System with Universal Plate	930.00	-
Z1224-D	Back-to-Back System	-	1,230.00
SUFFIXES		ADD	
Ⓢ -CB	Carrier Bank (Per Each)	POA	POA
-D	Back-to-Back System	See Prefix Z1224-D	
Ⓢ -EZ	Easy-to-Install Assembly	321.00	636.00
-SL	Stud Length Over 6" - Per Inch (Specify Length)	68.00	133.00
-WS	Wall Support Valve Plate (Specify Valve Name and Number)	189.00	376.00
-2	Bearing Plate Assembly	116.00	227.00
BEST SELLERS		LIST PRICE	
Z1224-75-DOUBLE		1,230.00	
Z1224-75-SINGLE		930.00	
Z1224-75-TRIPLE		POA	

Items designated as Best Sellers are most specified and are generally in stock for shipment.
 Ⓢ This symbol denotes a product that is engineered to reduce installation and rework time.
 For Additional System Tools See "Z1200 Carrier Tools and Accessories" on page 204

*Regularly furnished unless otherwise specified.
 For additional product information, please visit www.zurn.com

Z1225 PLATE TYPE SYSTEM – WATER COOLERS



ENGINEERING SPECIFICATION

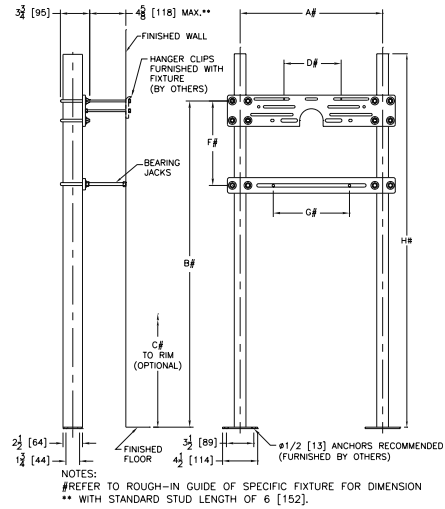
Zurn Z1225 water cooler support system with top and bottom plates comes complete with Dura-Coated rectangular steel uprights with welded feet, adjustable support plates, and mounting fasteners.

NOTES

Dimensional data for letter dimensions depends on fixture type and manufacturer. See Zurn Carrier/Fixture Rough-In information at www.zurn.com for specific rough-in dimensions.

Product Number	Approximate Weight lb [kg]
Z1225	30 [14]
Z1225-D	59 [27]

PREFIXES	DESCRIPTION	SINGLE	DOUBLE
Z1225*	Dura-Coated System with Universal Plate	1,040.00	-
Z1225-D	Back-to-Back System	-	1,448.00
SUFFIXES		ADD	
-BL	Bi-Level Cooler Support	482.00	961.00
-CB	Carrier Bank (Per Each)	POA	POA
BEST SELLERS		LIST PRICE	
Z1225-BL-UNIV		1,522.00	
Z1225-UNIV		1,040.00	



Z1225 (Single)

Z1229 PLATE AND EXPOSED ARM – HEAVY SINKS



ENGINEERING SPECIFICATION

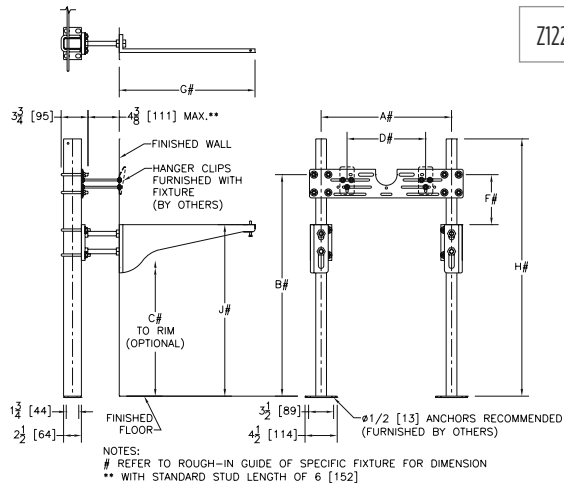
Zurn Z1229 heavy sink support system comes complete with Dura-Coated rectangular steel uprights with welded feet, adjustable top support plate, acid resistant epoxy coated exposed arms mounted on cast iron adjustable header, and mounting fasteners.

NOTES

Dimensional data for letter dimensions depends on fixture type and manufacturer. See Zurn Carrier/Fixture Rough-In information at www.zurn.com for specific rough-in dimensions.

Product Number	Approximate Weight lb [kg]
Z1229	48 [22]

PREFIXES	DESCRIPTION	LIST PRICE
Z1229*	Dura-Coated System with A.R.C. Exposed Arms	3,330.00
SUFFIXES		ADD
-WS	Wall Support Valve Plate (Specify Valve Name and Number)	189.00
-1	Longer Sink - Ea. 1' over 3' (Specify Length per Foot)	1,112.00



Z1229 (Single)

*Regularly furnished unless otherwise specified.

For additional product information, please visit www.zurn.com

Items designated as Best Sellers are most specified and are generally in stock for shipment.

Ⓞ This symbol denotes a product that is engineered to reduce installation and rework time.

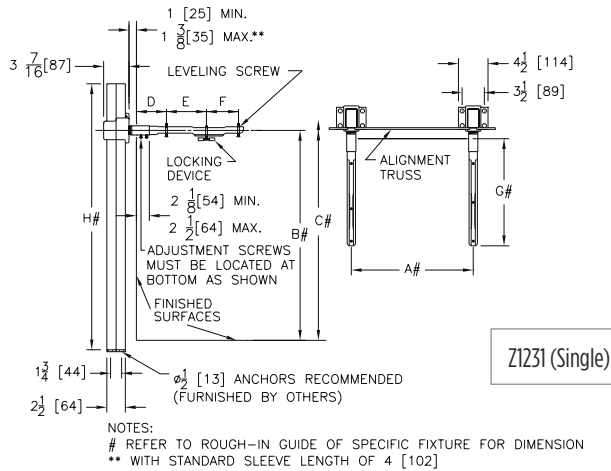
For Additional System Tools See "Z1200 Carrier Tools and Accessories" on page 204

Z1231 CONCEALED ARM SYSTEM – WALL LAVATORIES



ENGINEERING SPECIFICATION

Zurn Z1231 lavatory support system with concealed arms comes complete with Dura-Coated rectangular steel uprights with welded feet, cast iron adjustable headers, concealed arms, steel sleeves, alignment truss, and mounting fasteners.



Product Number	Approximate Weight lb [kg]
Z1231	45 [20]
Z1231-D	63 [29]

PREFIXES	DESCRIPTION	SINGLE	DOUBLE
Z1231*	Dura-Coated System with Concealed Arms	1,230.00	-
Z1231-D	Back-to-Back System	-	1,746.00
SUFFIXES		ADD	
-AL	Adapter Lug	N/C	N/C
-CB	Carrier Bank (Per Each)	POA	POA
-D	Back-to-Back System	See Prefix Z1231-D	
-E2	Concealed Arm Escutcheons 2" Long	209.00	416.00
-SL	Sleeve Length Greater Than 4" (Per Inch) (Specify Length)	68.00	133.00
-WS	Wall Support Valve Plate (Specify Valve Name and Number)	189.00	376.00
-79	ADA Rough-In	81.00	159.00
BEST SELLERS		LIST PRICE	
Z1231-UNIV-80		1,230.00	
Z1231-UNIV-81		1,230.00	
Z1231-(See Carrier Code Book)		POA	
Z1231-D-(See Carrier Code Book)		POA	

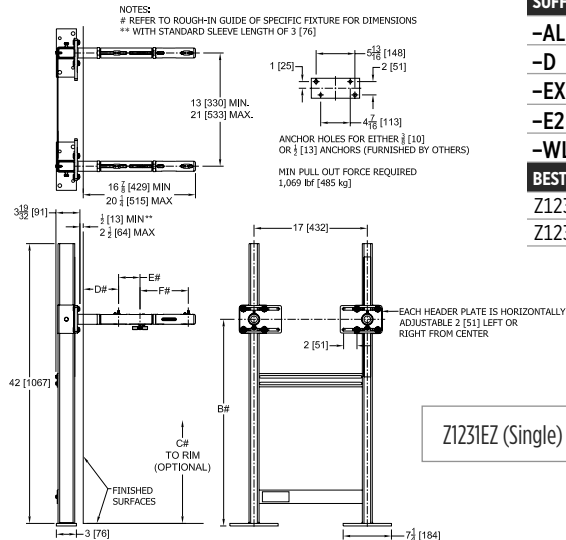
Z1231EZ UNIVERSAL LAVATORY CARRIER – WALL LAVATORIES



ENGINEERING SPECIFICATION

Zurn Z1231EZ Universal lavatory support system is designed to reduce installation time and provide jobsite flexibility with a complete offering of universal arms, independent horizontal and vertical bracket system, and only requiring two anchors per upright.

Patent Pending



Product Number	Approximate Weight lb [kg]
Z1231EZ	43 [19]

PREFIXES	DESCRIPTION	SINGLE	DOUBLE
Z1231EZ*	Dura-Coated System with Universal Arms	1,498.00	-
Z1231EZ-D	Back-to-Back System	-	2,187.00
SUFFIXES		ADD	
-AL	Adapter Lug	N/C	N/C
-D	Back-to-Back System	See Prefix Z1231EZ-D	
-EXT	Extension Sleeve 3"-5" [76mm-127mm]	231.00	460.00
-E2	Concealed Arm Escutcheons 2" Long	209.00	416.00
-WL	Waste Line Sleeve	838.00	838.00
BEST SELLERS		LIST PRICE	
Z1231EZ-D		2,187.00	
Z1231EZ		1,494.00	

Items designated as Best Sellers are most specified and are generally in stock for shipment.
⌚ This symbol denotes a product that is engineered to reduce installation and rework time.
For Additional System Tools See "Z1200 Carrier Tools and Accessories" on page 204

*Regularly furnished unless otherwise specified.
For additional product information, please visit www.zurn.com

Z1236 EXPOSED ARM SYSTEM – WALL LAVATORIES/SINKS



ENGINEERING SPECIFICATION

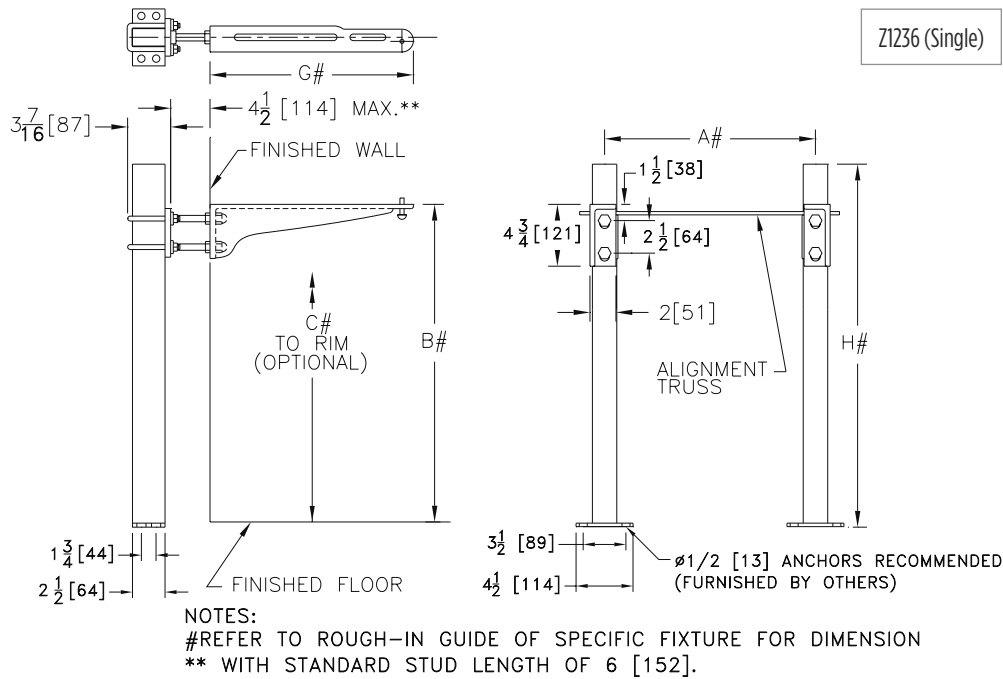
Zurn Z1236 lavatory support system with exposed arms comes complete with Dura-Coated rectangular steel uprights with welded feet, cast iron adjustable headers, acid resistant epoxy coated cast iron arms, alignment truss, and mounting fasteners.

NOTES

Dimensional data for letter dimensions depends upon fixture type and manufacturer. See Zurn Carrier Code Book at www.zurn.com for specific rough-in dimensions.

Product Number	Approximate Weight lb [kg]
Z1236	60 [27]
Z1236-D	71 [32]

PREFIXES	DESCRIPTION	SINGLE	DOUBLE
Z1236*	Dura-Coated System with A.R.C. Exposed Arms	1,746.00	-
Z1236-D	Back-to-Back System	-	2,734.00
SUFFIXES		ADD	
-AL	Adapter Lug	N/C	N/C
-D	Back-to-Back System	See Prefix Z1236-D	
-WS	Wall Support Valve Plate (Specify Valve Name and Number)	189.00	376.00



*Regularly furnished unless otherwise specified.

For additional product information, please visit www.zurn.com

Items designated as Best Sellers are most specified and are generally in stock for shipment.

Ⓞ This symbol denotes a product that is engineered to reduce installation and rework time.

For Additional System Tools See "Z1200 Carrier Tools and Accessories" on page 204

Z1251 CONCEALED ARM SYSTEM – WALL SUPPORTED

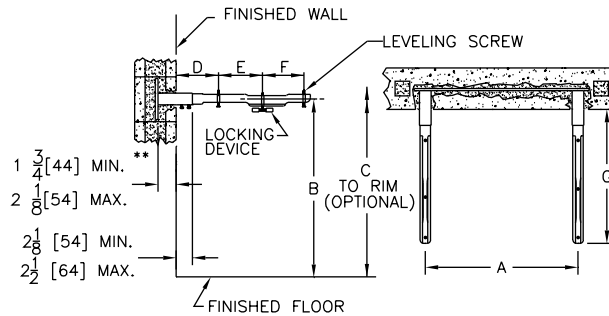


ENGINEERING SPECIFICATION

Zurn Z1251 lavatory support system with concealed arms comes complete with Dura-Coated support plate with integral steel arm sleeves, concealed arms, and mounting fasteners.

Product Number	Approximate Weight lb [kg]
Z1251	18 [8]

PREFIXES	DESCRIPTION	LIST PRICE
Z1251*	Dura-Coated System with Concealed Arms	572.00
SUFFIXES		ADD
-E2	Concealed Arm Escutcheons 2" Long	209.00
-79	ADA Rough-In	165.00
BEST SELLERS		LIST PRICE
Z1251-F/Z5344		572.00
Z1251-(See Carrier Code Book)		POA



Z1253 ADJUSTABLE CONCEALED ARM SYSTEM – WALL SUPPORTED

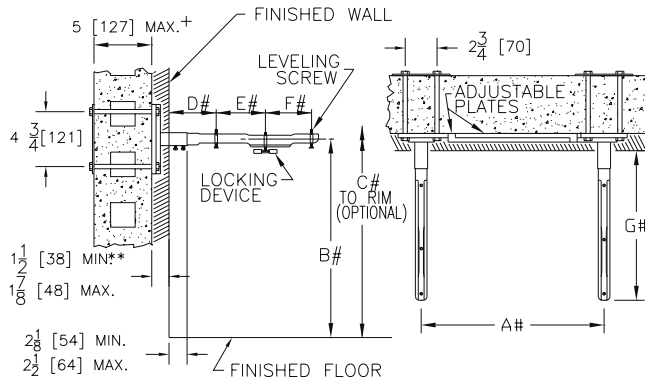


ENGINEERING SPECIFICATION

Zurn Z1253 lavatory support system with concealed arms comes complete with adjustable Dura-Coated support plates with arm sleeves, concealed arms, and mounting fasteners.

Product Number	Approximate Weight lb [kg]
Z1253	18 [8]

PREFIXES	DESCRIPTION	LIST PRICE
Z1253*	Dura-Coated System with Concealed Arms	730.00
SUFFIXES		ADD
-79	ADA Rough-In	165.00



NOTE:
 ** WITH STANDARD SLEEVE LENGTH OF 4 [102]
 + WITH STANDARD STUD LENGTH OF 6 [152]
 # REFER TO ROUGH-IN GUIDE OF SPECIFIC
 FIXTURE FOR DIMENSION

Z1255 EXPOSED ARM SYSTEM – WALL SUPPORTED



ENGINEERING SPECIFICATION

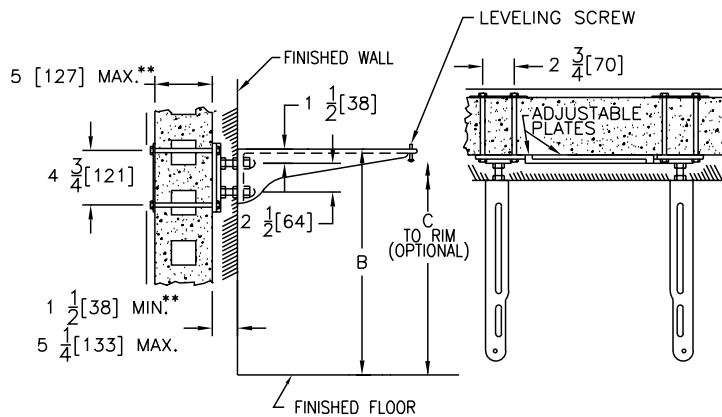
Zurn Z1255 lavatory support system with exposed arms comes complete with adjustable Dura-Coated support plates, acid resistant epoxy coated cast iron exposed arms, and mounting fasteners.

NOTES

Dimensional data for letter dimensions depends upon fixture type and manufacturer. See Zurn Carrier Code Book at www.zurn.com for specific rough-in dimensions.

Product Number	Approximate Weight lb [kg]
Z1255	25 [11]

PREFIXES	DESCRIPTION	LIST PRICE
Z1255*	Dura-Coated System with A.R.C. Exposed Arms	1,213.00
SUFFIXES		ADD
Ⓢ -BS	Bar Support Valve Plate (Specify Valve Name and Number)	189.00
-SL	Stud Length Over 6" - Per Inch (Specify Length)	68.00
-VP	Vandal-Proof Trim	165.00



*Regularly furnished unless otherwise specified.

For additional product information, please visit www.zurn.com

Items designated as Best Sellers are most specified and are generally in stock for shipment.

Ⓢ This symbol denotes a product that is engineered to reduce installation and rework time.

For Additional System Tools See "Z1200 Carrier Tools and Accessories" on page 204

Z1256 EXPOSED ARM SYSTEM – WALL SUPPORTED



ENGINEERING SPECIFICATION

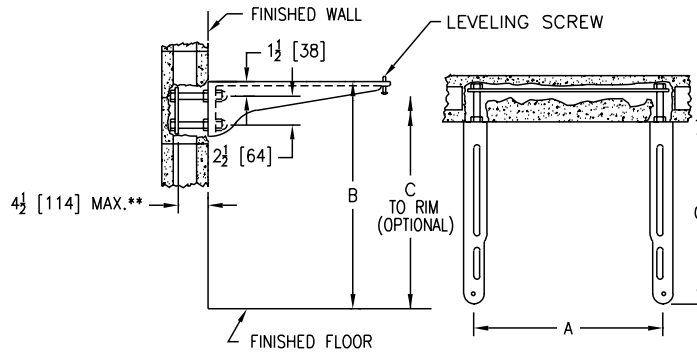
Zurn Z1256 lavatory support with exposed arms comes complete with Dura-Coated support plates, acid resistant epoxy coated cast iron exposed arms, and mounting fasteners.

NOTES

Dimensional data for letter dimensions depends upon fixture type and manufacturer. See Zurn Carrier Code Book at www.zurn.com for specific rough-in dimensions.

Product Number	Approximate Weight lb [kg]
Z1256	25 [11]

PREFIXES	DESCRIPTION	LIST PRICE
Z1256*	Dura-Coated System with A.R.C. Exposed Arms	974.00
SUFFIXES		ADD
Ⓢ -BS	Bar Support Valve Plate (Specify Valve Name and Number)	189.00
-SL	Stud Length Over 6" - Per Inch (Specify Length)	68.00
-VP	Vandal-Proof Trim	165.00



** WITH STANDARD STUD LENGTH OF 6 [152]

Z1257 EXPOSED ARM SYSTEM – WALL SUPPORTED



ENGINEERING SPECIFICATION

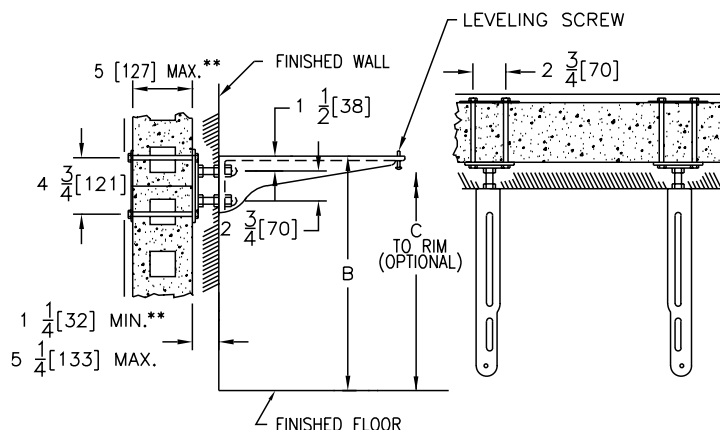
Zurn Z1257 wall supported, exposed arm system features Dura-Coated wall plate securing assembly with acid resistant epoxy coated cast iron exposed arms and mounting fasteners.

NOTES

Dimensional data for letter dimensions depends upon fixture type and manufacturer. See Zurn Carrier Code Book at www.zurn.com for specific rough-in dimensions.

Product Number	Approximate Weight lb [kg]
Z1257	25 [11]

PREFIXES	DESCRIPTION	LIST PRICE
Z1257*	Dura-Coated System with A.R.C. Exposed Arms	1,213.00
SUFFIXES		ADD
Ⓢ -BS	Bar Support Valve Plate (Specify Valve Name and Number)	189.00
-SL	Stud Length Over 6" - Per Inch (Specify Length)	68.00
-VP	Vandal-Proof Trim	165.00



Items designated as Best Sellers are most specified and are generally in stock for shipment.

Ⓢ This symbol denotes a product that is engineered to reduce installation and rework time.

For Additional System Tools See "Z1200 Carrier Tools and Accessories" on page 204

*Regularly furnished unless otherwise specified.

For additional product information, please visit www.zurn.com

Z1258 EXPOSED ARM SYSTEM – WALL SUPPORTED



ENGINEERING SPECIFICATION

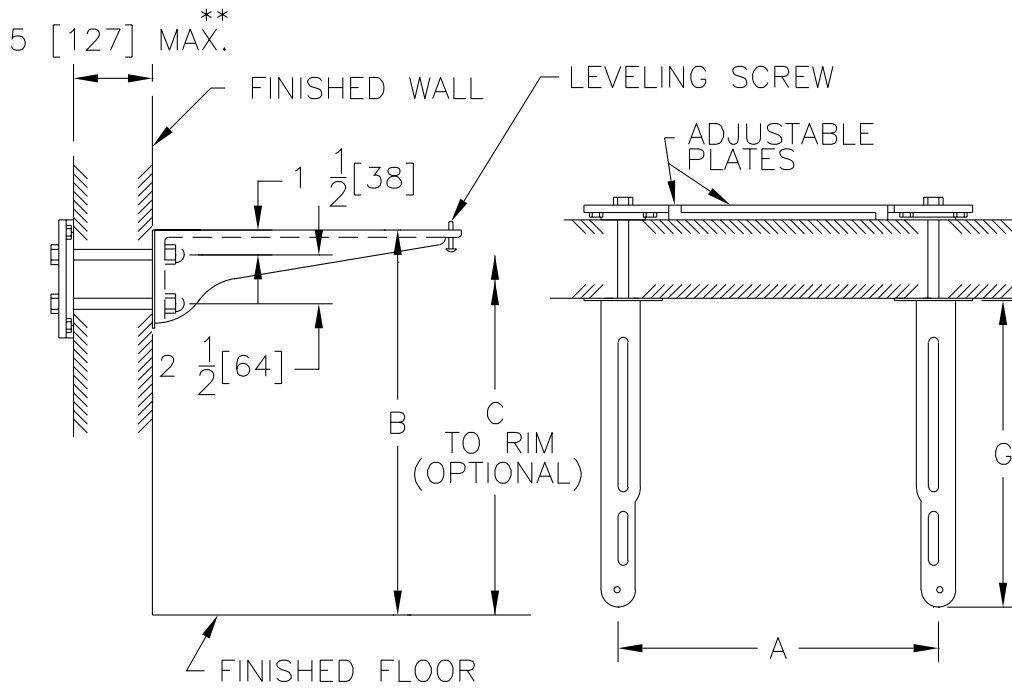
Zurn Z1258 lavatory support system with exposed arms comes complete with adjustable Dura-Coated support plates, acid resistant epoxy coated cast iron exposed arms, and mounting fasteners.

NOTES

Dimensional data for letter dimensions depends upon fixture type and manufacturer. See Zurn Carrier Code Book at www.zurn.com for specific rough-in dimensions.

Product Number	Approximate Weight lb [kg]
Z1258	25 [11]

PREFIXES	DESCRIPTION	LIST PRICE
Z1258*	Dura-Coated System with A.R.C. Exposed Arms	735.00
SUFFIXES		ADD
Ⓢ -BS	Bar Support Valve Plate (Specify Valve Name and Number)	189.00
-SL	Stud Length Over 6" - Per Inch (Specify Length)	68.00
-VP	Vandal-Proof Trim	165.00



*Regularly furnished unless otherwise specified.

For additional product information, please visit www.zurn.com

Items designated as Best Sellers are most specified and are generally in stock for shipment.

Ⓢ This symbol denotes a product that is engineered to reduce installation and rework time.

For Additional System Tools See "Z1200 Carrier Tools and Accessories" on page 204

Z1259 PLATE SYSTEM – WALL SUPPORTED

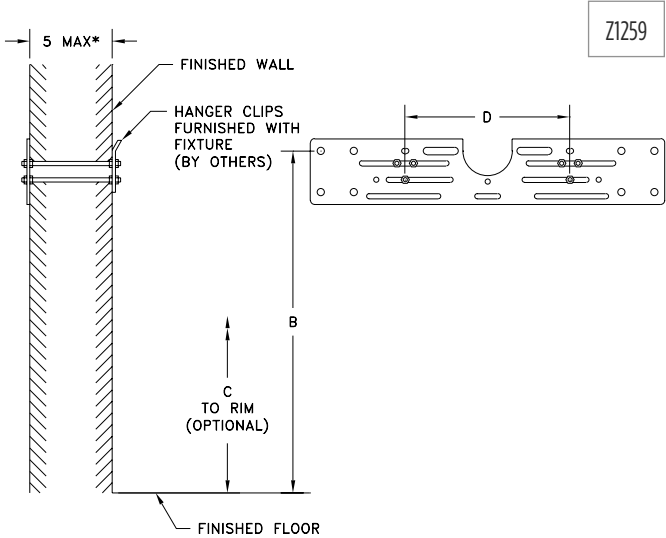


ENGINEERING SPECIFICATION

Zurn Z1259 lavatory support system comes complete with Dura-Coated support plate(s) and mounting fasteners.

NOTES

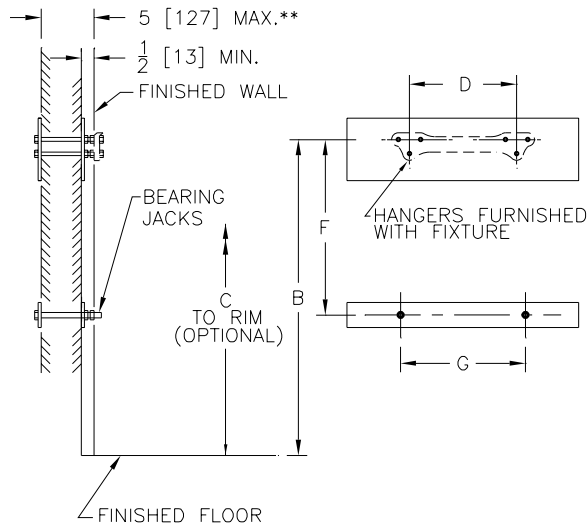
Dimensional data for letter dimensions depends upon fixture type and manufacturer. See Zurn Carrier Code Book at www.zurn.com for specific rough-in dimensions.



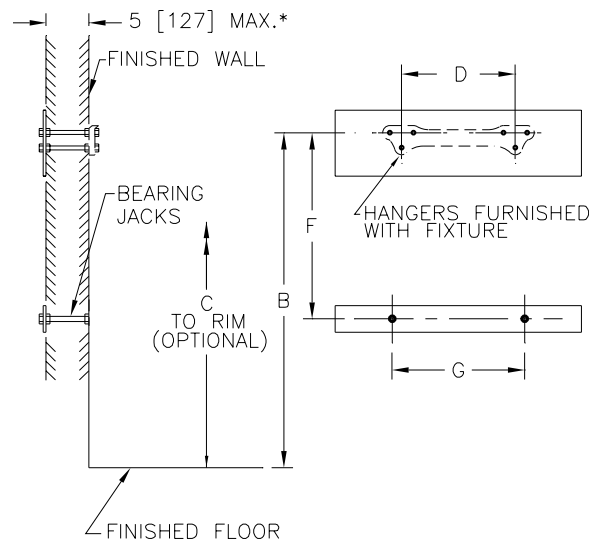
Z1259

Product Number	Approximate Weight lb [kg]
Z1259	6 [3]
Z1259-BP	24 [11]
Z1259-D	12 [5]
Z1259-DB	24 [11]
Z1259-SP	12 [5]
Z1259-2	

PREFIXES	DESCRIPTION	SINGLE	DOUBLE
Z1259*	Dura-Coated Plate System	Combine with Plate Type for Pricing	
PLATE TYPE			
	Top Back Plate with Studs Only	260.00	-
-BP	Top Front and Back Plates with Studs and Bottom Front and Back Plates with Bearing Jacks	458.00	-
-D	Back-to-Back Top Front Plates with Studs Only	-	317.00
-DB	Back-to-Back Top Front Plates with Studs and Bottom Front Plates with Bearing Jacks	-	522.00
-SP	Top Front and Back Plate with Studs Only	317.00	-
-2	Top Back Plate with Studs and Bottom Back Plate with Bearing Jacks	415.00	-
SUFFIXES		ADD	
-SL	Stud Length Over 6" - Per Inch (Specify Length)	68.00	133.00



Z1259-BP



Z1259-2

Items designated as Best Sellers are most specified and are generally in stock for shipment.
 ⌚ This symbol denotes a product that is engineered to reduce installation and rework time.
 For Additional System Tools See "Z1200 Carrier Tools and Accessories" on page 204

*Regularly furnished unless otherwise specified.
 For additional product information, please visit www.zurn.com

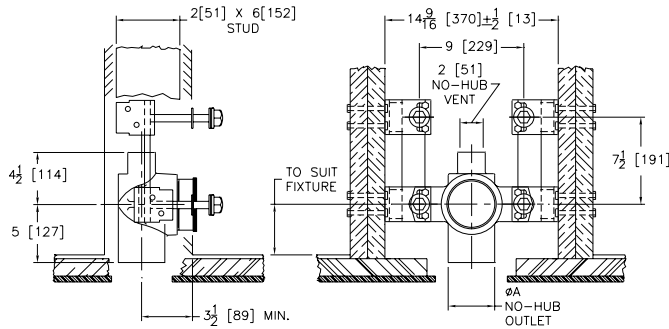
INTRO
ROOF DRAINS
FLOOR DRAINS
T, P, BW VALVES
INTERCEPTORS
CARRIERS
HYDRANTS
CLEANOUTS
WHA
SS DRAINS
SANI-FLOOR
TECH INFO

Z1280 WOOD STUD SUPPORTED WATER CLOSET CARRIER – NO-HUB



ENGINEERING SPECIFICATION

Zurn Z1280-N() residential water closet support system comes complete with Dura-Coated cast iron 3" or 4" no-hub fitting (specify size) with 2" vent, support brackets, corrosion-resistant ABS coupling, fixture bolts and trim, and bonded Neo Seal gasket.



Product Number	A Pipe Size Inches [mm]	Approximate Weight lb [kg]
Z1280-N3-2	3 [76]	30 [14]
Z1280-N4-2	4 [102]	40 [18]

FITTING TYPE

-N3-2	3" No-Hub Fitting with 2" Vent	974.00
-N4-2	4" No-Hub Fitting with 2" Vent	1,340.00

SUFFIXES

		ADD
-X4	4" Foot Extension (For -Y Only)	144.00
-Y	Foot Support System	447.00

BEST SELLERS

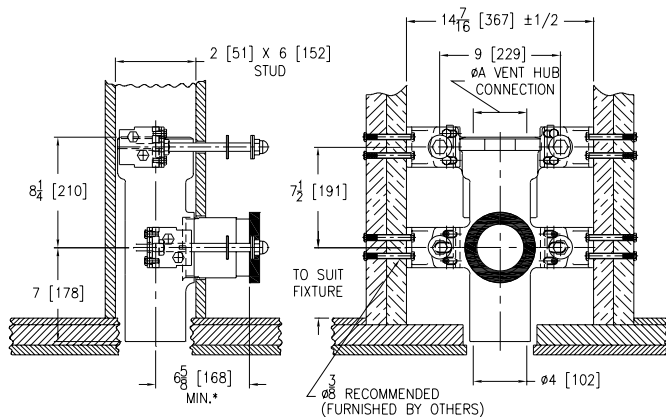
		LIST PRICE
Z1280-N3-2		974.00
Z1280-N4-2		1,340.00

Z1282 WOOD STUD SUPPORTED WATER CLOSET CARRIER – HUB AND SPIGOT



ENGINEERING SPECIFICATION

Zurn Z1282-H4 residential water closet support system comes complete with Dura-Coated cast iron 4" spigot outlet fitting with 4" hub vent connection, support brackets, corrosion-resistant ABS coupling, fixture bolts and trim, and bonded Neo Seal gasket.



Product Number	Outlet inch [mm]	Approximate Weight lb [kg]
Z1282-H4	4 [102]	42 [19]

PREFIXES	DESCRIPTION	SINGLE	DOUBLE
Z1282*	Dura-Coated Bracket and Fitting System	Combine with Fitting Type for Pricing	

FITTING TYPE

-H4	4" Spigot Outlet Fitting with 4" Hub Vent Connection	1,388.00	-
------------	--	-----------------	---

SUFFIXES

		ADD
-X4	4" Foot Extension (For -Y Only)	144.00
-Y	Foot Support System	447.00

*Regularly furnished unless otherwise specified.

For additional product information, please visit www.zurn.com

Items designated as Best Sellers are most specified and are generally in stock for shipment.

Ⓞ This symbol denotes a product that is engineered to reduce installation and rework time.

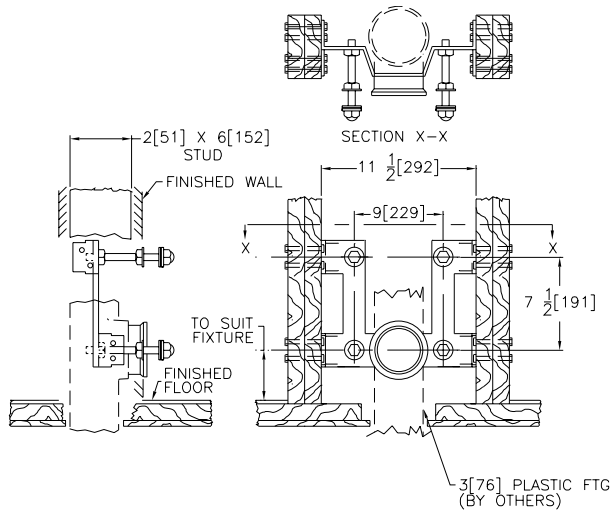
For Additional System Tools See "Z1200 Carrier Tools and Accessories" on page 204

Z1283 WOOD STUD SUPPORTED WATER CLOSET CARRIER – PLASTIC PIPE



ENGINEERING SPECIFICATION

Zurn Z1283 residential water closet support system comes complete with Dura-Coated support brackets and coupling support, ABS coupling, fixture bolts, trim, and bonded Neo-Seal gasket.



Product Number	Approximate Weight lb [kg]
Z1283-P3	25 [11]

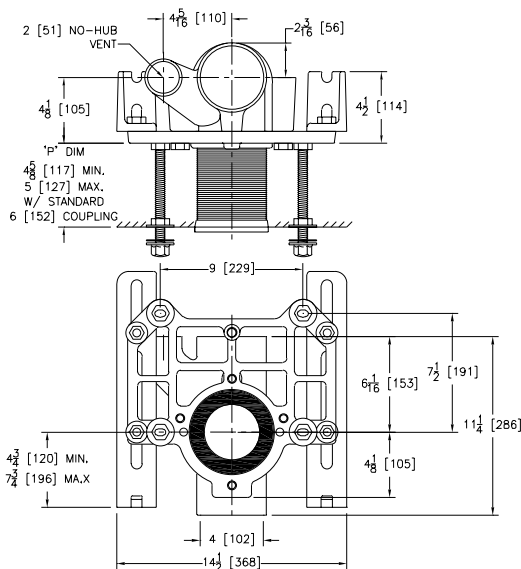
PREFIXES	DESCRIPTION	LIST PRICE
Z1283-P3*	Dura-Coated Bracket System with 3" Yoke	832.00
SUFFIXES	ADD	
-X4	4" Carrier Foot Extension (For -Y Only)	144.00
-Y	Foot Support System	447.00
BEST SELLER	LIST PRICE	
Z1283-P3	832.00	

Z1284 CONCRETE FLOOR SUPPORTED WATER CLOSET CARRIER



ENGINEERING SPECIFICATION

Zurn Z1284 4" residential water closet support system comes complete with Dura-Coated cast iron 4" no-hub fitting, 2" vent, support feet, corrosion-resistant ABS coupling, fixture bolts and trim, and bonded Neo-Seal gasket.



Product Number	Approximate Weight lb [kg]
Z1284-N4	40 [18]

PREFIXES	DESCRIPTION	LIST PRICE
Z1284-N4*	Dura-Coated Bracket System with 4" No-Hub Fitting	1,770.00
SUFFIXES	ADD	
-X4	4" Foot Extension Assembly	144.00

Items designated as Best Sellers are most specified and are generally in stock for shipment.
 ⌚ This symbol denotes a product that is engineered to reduce installation and rework time.
 For Additional System Tools See "Z1200 Carrier Tools and Accessories" on page 204

*Regularly furnished unless otherwise specified.
 For additional product information, please visit www.zurn.com

Z1285 WOOD STUD SUPPORTED WATER CLOSET CARRIER

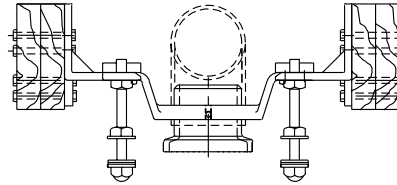


ENGINEERING SPECIFICATION

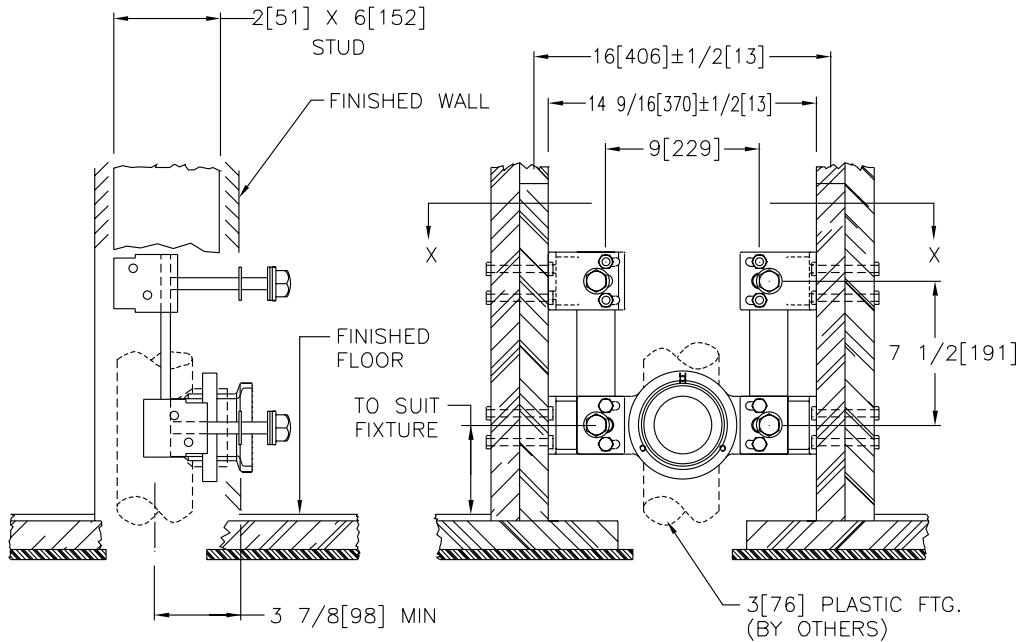
Zurn Z1285 residential water closet support system comes complete with Dura-Coated support brackets and coupling support, ABS coupling, fixture bolts, trim, and bonded Neo-Seal gasket.

Product Number	Approximate Weight lb [kg]
Z1285	25 [11]

PREFIXES	DESCRIPTION	LIST PRICE
Z1285*	Dura-Coated Bracket System	832.00
SUFFIXES		ADD
-PD3	3" Double Plastic Pipe Connection	1,273.00
-X4	4" Foot Extension (For -Y Only)	144.00
-Y	Foot Support System	447.00



SECTION X-X



*Regularly furnished unless otherwise specified.

For additional product information, please visit www.zurn.com

Items designated as Best Sellers are most specified and are generally in stock for shipment.

Ⓢ This symbol denotes a product that is engineered to reduce installation and rework time.

For Additional System Tools See "Z1200 Carrier Tools and Accessories" on page 204

HYDRANTS

HYDRANTS - APPLICATION INDEX	264
Z1300 ECOLOTROL WALL HYDRANT – ENCASED, NON-FREEZE, ANTI-SIPHON, AUTOMATIC DRAINING	265
Z1305 WALL HYDRANT – ENCASED, NON-FREEZE	265
Z1310 ECOLOTROL WALL HYDRANT – EXPOSED, NON-FREEZE, ANTI-SIPHON, AUTOMATIC DRAINING	266
Z1315 WALL HYDRANT – EXPOSED, NON-FREEZE	266
Z1320XL ECOLOTROL CERAMIC DISC WALL HYDRANT – ENCASED, NON-FREEZE, ANTI-SIPHON, AUTOMATIC DRAINING	267
🕒 Z1320XL-EZ ECOLOTROL CERAMIC DISC WALL HYDRANT – ENCASED, NON-FREEZE, ANTI-SIPHON, AUTOMATIC DRAINING	267
Z1321XL ECOLOTROL CERAMIC DISC WALL HYDRANT – EXPOSED, NON-FREEZE, ANTI-SIPHON, AUTOMATIC DRAINING	268
🕒 Z1322XL-EZ ECOLOTROL CERAMIC DISC WALL HYDRANT – EXPOSED, NON-FREEZE, ANTI-SIPHON, AUTOMATIC DRAINING	269
Z1325 WALL HYDRANT – ENCASED, VARI-TEMP, NON-FREEZE	270
🕒 Z1327-EZ NARROW WALL HOT/COLD HYDRANT WITH MOUNTING BRACKETS – ENCASED, MODERATE CLIMATE	270
Z1330XL ECOLOTROL CERAMIC DISC WALL HYDRANT – ENCASED, ANTI-SIPHON, AUTOMATIC DRAINING, MODERATE CLIMATE	271
🕒 Z1332XL-EZ ECOLOTROL CERAMIC DISC WALL HYDRANT – ENCASED, ANTI-SIPHON, AUTOMATIC DRAINING, MODERATE CLIMATE	271
Z1333XL ECOLOTROL CERAMIC DISC WALL HYDRANT – EXPOSED, ANTI-SIPHON, AUTOMATIC DRAINING, MODERATE CLIMATE	272
Z1335 WALL HYDRANT – ENCASED, MODERATE CLIMATE	272
Z1350 NARROW WALL HYDRANT – ENCASED, MODERATE CLIMATE	273
🕒 Z1350-EZ NARROW WALL HYDRANT WITH MOUNTING BRACKETS – ENCASED, MODERATE CLIMATE	273
Z1360XL GROUND HYDRANT – ENCASED, FLUSH TYPE, NON-FREEZE	274
Z1365 GROUND HYDRANT – ENCASED, FLUSH TYPE, NON-FREEZE	275
Z1370 GROUND HYDRANT – ENCASED, HOSE STORAGE, NON-FREEZE	276
Z1375 GROUND HYDRANT – ENCASED, MODERATE CLIMATE, INTERIOR USE	277
Z1385 POST HYDRANT – EXPOSED HEAD, NON-FREEZE	277
Z1388XL ROOF HYDRANT – EXPOSED HEAD, NON-FREEZE	278
Z1390 POST HYDRANT – EXPOSED HEAD, NON-FREEZE	278
Z1395XL YARD HYDRANT – EXPOSED HEAD, NON-FREEZE	279
Z1397XL FLO-TROL YARD HYDRANT – EXPOSED HEAD, NON-FREEZE	280

HYDRANTS - APPLICATION INDEX

WALL HYDRANTS

	NON-FREEZE/SELF-DRAINING	MODERATE CLIMATE
Retail Outlets	Z1300, Z1305, Z1310, Z1320	Z1330, Z1335
Office Buildings	Z1300, Z1305, Z1320	Z1330, Z1335
Institutions, Hospitals, Schools	Z1300, Z1305, Z1320	Z1330, Z1335
Apartments	Z1315, Z1321	Z1333, Z1350, Z1350-EZ
Cored Wall Construction	Z1322-EZ	Z1332-EZ
Cleaning Areas, Slop Sink, Garbage Can Wash	Z1325	
Commercial/Multi-Family, Thin Wall Construction		Z1350, Z1350-EZ
Masonry Wall Construction	Z1320-EZ	
Vari-Temp (Hot/Cold)	Z1325	Z1327-EZ

GROUND HYDRANTS

	NON-FREEZE/SELF-DRAINING	MODERATE CLIMATE
Parks, Recreational Areas	Z1360, Z1365, Z1370, Z1390, Z1395, Z1397	
Garden Areas	Z1360, Z1370, Z1385, Z1395, Z1397	Z1375
Industrial	Z1365, Z1370, Z1390	
Supermarkets, Malls	Z1360-HD	Z1375-HD
Farms, Agricultural	Z1385, Z1390, Z1395, Z1397	
Stables	Z1385, Z1390, Z1395, Z1397	

Note: Any of the non-freeze/self-draining hydrants may be used in moderate climates.



XL LEAD FREE

†Zurn "XL" Lead-Free compliant products are a line of durable plumbing products designed and manufactured to comply with state laws and local codes that mandate maximum allowable lead content levels. Zurn "XL" products are manufactured in accordance to the Federal SWDA section 1417.

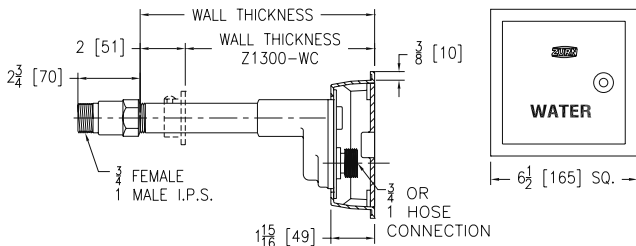
Z1300 ECOLOTROL WALL HYDRANT – ENCASED, NON-FREEZE, ANTI-SIPHON, AUTOMATIC DRAINING



ENGINEERING SPECIFICATION

Zurn Z1300 encased Ecotrol anti-siphon automatic draining wall hydrant is designed for flush installation. Comes complete with non-freeze type integral backflow preventer, bronze casing, all bronze interior parts, non-turning operating rod with free-floating compression closure valve, replaceable bronze seat and seat washer, and combination 3/4" female or 1" male straight IP inlet. Nickel bronze box and hinged cover include operating key lock and "WATER" cast on cover.

Wall Thickness inches [mm]	Approximate Weight lb [kg]
6 [152], 8 [203]	9 [4]
10 [254], 12 [305], 14 [356]	12 [5]
16 [406], 18 [457]	15 [7]
20 [508], 22 [559], 24 [610]	18 [8]



PRODUCT	DESCRIPTION	WALL THICKNESS	LIST PRICE
Z1300*	3/4" Hose Connection Nickel Bronze Box and Cover with Polished Face and Bronze Casing	6", 8"	3,433.00
		10", 12", 14"	3,534.00
		16", 18"	3,704.00
		20", 22", 24"	3,833.00
	1" Hose Connection Nickel Bronze Box and Cover with Polished Face and Bronze Casing	6", 8"	3,691.00
		10", 12", 14"	3,794.00
		16", 18"	3,963.00
		20", 22", 24"	4,094.00

SUFFIXES	ADD
-CL	Cylinder Lock 237.00
-RA4	24" Replacement Rod Assembly Kit 716.00
-RK	Hydrant Parts Repair Kit 415.00
-SS	Stainless Steel Box and Cover N/C
-WC	Wall Clamp N/C
-34FS	3/4" Solder Female Inlet Adapter N/C
-34UN	3/4" IP 90° Inlet Elbow with Union Nut 60.00

SUFFIXES	DEDUCT
-PB	Polished Bronze Face -216.00

BEST SELLERS	LIST PRICE
Z1300-3/4X6	3,433.00
Z1300-3/4X6-SS	3,433.00
Z1300-3/4X6-WC	3,433.00
Z1300-3/4X8	3,433.00
Z1300-3/4X10	3,534.00
Z1300-3/4X12	3,534.00
Z1300-3/4X14	3,534.00
Z1300-3/4X16	3,704.00
Z1300-3/4X18	3,704.00

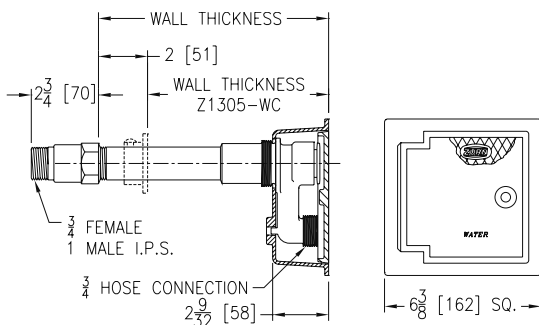
Z1305 WALL HYDRANT – ENCASED, NON-FREEZE



ENGINEERING SPECIFICATION

Zurn Z1305 encased, non-freeze, flush wall hydrant features bronze casing, all bronze interior parts, non-turning operating rod with free-floating compression closure valve, replaceable bronze seat and seat washer, and combination 3/4" female or 1" male straight IP inlet. Nickel bronze box and hinged cover include operating key lock and "WATER" cast on cover.

Wall Thickness inches [mm]	Approximate Weight lb [kg]
6 [152], 8 [203]	11 [5]
10 [254], 12 [305], 14 [356]	13 [6]
16 [406]	15 [7]
24 [610]	17 [8]



PRODUCT	DESCRIPTION	WALL THICKNESS	LIST PRICE
Z1305*	3/4" Hose Connection Nickel Bronze Box and Cover with Polished Face and Bronze Casing	6", 8"	2,471.00
		10", 12", 14"	2,590.00
		16"	2,775.00
		24"	2,902.00

SUFFIXES	ADD
-RA4	24" Replacement Rod Assembly Kit 716.00
-RK	Hydrant Parts Repair Kit 415.00
-WC	Wall Clamp N/C
-34UN	3/4" IP 90° Inlet Elbow with Union Nut 60.00

SUFFIXES	DEDUCT
-PB	Polished Bronze Face -266.00

BEST SELLERS	LIST PRICE
Z1305-3/4X6	2,471.00
Z1305-3/4X8	2,471.00
Z1305-3/4X12	2,590.00
Z1305-3/4X16	2,775.00

Items designated as Best Sellers are most specified and are generally in stock for shipment. This symbol denotes a product that is engineered to reduce installation and rework time. For additional product information, please visit www.zurn.com

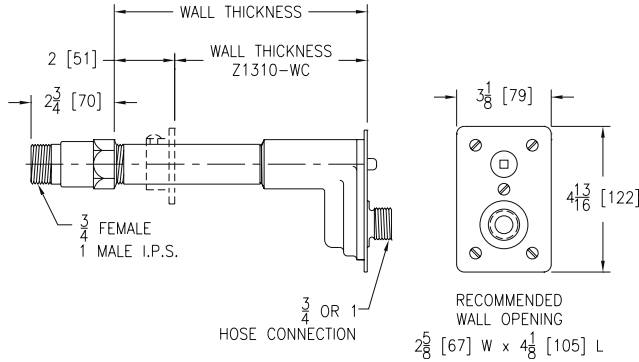
*Lead-free product. For more information, see page 264.
 *Regularly furnished unless otherwise specified.

Z1310 ECOLOTROL WALL HYDRANT – EXPOSED, NON-FREEZE, ANTI-SIPHON, AUTOMATIC DRAINING



ENGINEERING SPECIFICATION

Zurn Z1310 exposed Ecolotrol anti-siphon automatic draining wall hydrant features non-freeze integral backflow preventer, bronze casing, all bronze interior parts, non-turning operating rod with free-floating compression closure valve, replaceable bronze seat and seat washer, and combination 3/4" female or 1" male straight IP inlet. Includes stainless steel face with operating key.



Wall Thickness inches [mm]	Approximate Weight lb [kg]
4 [102], 6 [152], 8 [203]	5 [2]
10 [254], 12 [305], 14 [356]	8 [4]
16 [406], 18 [457]	11 [5]
20 [508], 22 [559], 24 [610]	14 [6]

PRODUCT	DESCRIPTION	WALL THICKNESS	LIST PRICE
Z1310*	3/4" Hose Connection Bronze Hydrant with Polished Stainless Steel Face and Bronze Casing	4", 6", 8"	1,811.00
		10", 12", 14"	1,936.00
		16", 18"	2,110.00
		20", 22", 24"	2,252.00
1" Hose Connection Bronze Hydrant with Polished Stainless Steel Face and Bronze Casing	4", 6", 8"	2,089.00	
	10", 12", 14"	2,211.00	
	16", 18"	2,391.00	
	20", 22", 24"	2,529.00	

SUFFIXES	ADD	
-RA4	24" Replacement Rod Assembly Kit	716.00
-RK	Hydrant Parts Repair Kit	415.00
-WC	Wall Clamp	N/C
-34FS	3/4" Solder Female Inlet Adapter	N/C
-34UN	3/4" IP 90° Inlet Elbow with Union Nut	60.00

SUFFIXES	DEDUCT	
-PB	Polished Bronze Face	-78.00

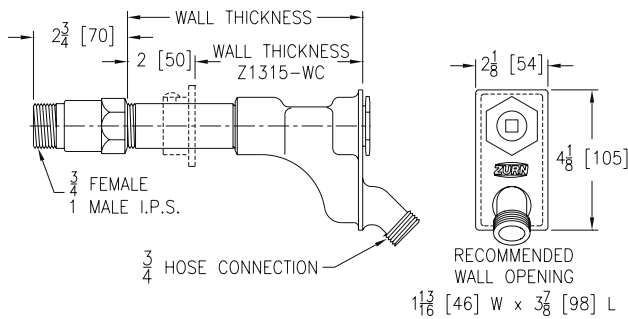
BEST SELLERS	LIST PRICE
Z1310-3/4X4	1,811.00
Z1310-3/4X6	1,811.00
Z1310-3/4X8	1,811.00
Z1310-3/4X10	1,936.00
Z1310-3/4X12	1,936.00

Z1315 WALL HYDRANT – EXPOSED, NON-FREEZE



ENGINEERING SPECIFICATION

Zurn Z1315 exposed, non-freeze wall hydrant features bronze casing, all bronze interior parts, non-turning operating rod with free-floating compression closure valve, replaceable bronze seat and seat washer, and combination 3/4" female or 1" male straight IP inlet. Comes complete with operating key.



Wall Thickness inches [mm]	Approximate Weight lb [kg]
4 [102], 6 [152], 8 [203]	6 [3]
10 [254], 12 [305]	8 [4]
16 [406], 18 [457]	10 [5]

PRODUCT	DESCRIPTION	WALL THICKNESS	LIST PRICE
Z1315*	3/4" Hose Connection Nickel Bronze Box and Cover with Polished Face and Bronze Casing	4", 6", 8"	1,435.00
		10", 12"	1,552.00
		16", 18"	1,729.00

SUFFIXES	ADD	
-RA4	24" Replacement Rod Assembly Kit	716.00
-RK	Hydrant Parts Repair Kit	415.00
-VB	3/4" Adapter Vacuum Breaker	175.00
-WC	Wall Clamp	N/C

SUFFIXES	DEDUCT	
-PB	Polished Bronze Face	-78.00

BEST SELLERS	LIST PRICE
Z1315-3/4X4	1,435.00
Z1315-3/4X12	1,552.00

*Lead-free product. For more information, see page 264.

*Regularly furnished unless otherwise specified.

Items designated as Best Sellers are most specified and are generally in stock for shipment.

Ⓢ This symbol denotes a product that is engineered to reduce installation and rework time.

For additional product information, please visit www.zurn.com

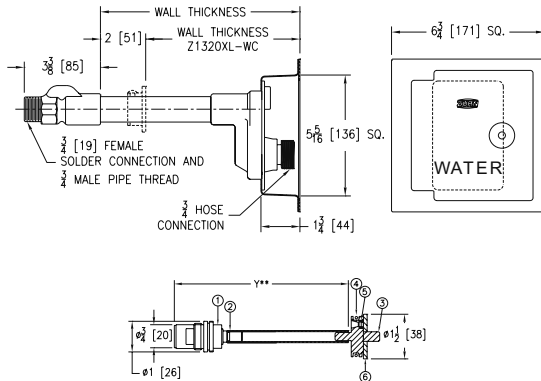
Z1320XL ECOLOTROL CERAMIC DISC WALL HYDRANT – ENCASED, NON-FREEZE, ANTI-SIPHON, AUTOMATIC DRAINING



XL LEAD FREE

ENGINEERING SPECIFICATION

Zurn Z1320XL encased, Ecolotrol, lead-free[†], non-freeze automatic draining wall hydrant is designed for flush installation. Features integral backflow preventer, anti-siphon technology, copper casing, all bronze interior components with 1/2 turn long-life ceramic disc cartridge, combination 3/4" female solder and 3/4" male pipe thread inlet connection, and 3/4" male hose connection. Comes complete with Type 304 stainless steel housing and hinged cover that includes operating key lock and "WATER" cast on cover.



Wall Thickness inches [mm]	Approximate Weight lb [kg]
6 [152], 8 [203]	5 [2]
10 [254], 12 [305], 14 [356]	6 [3]
16 [406], 18 [457]	7 [3]
20 [508], 22 [559], 24 [610]	8 [4]
26 [660], 30 [762]	10 [5]

PRODUCT	DESCRIPTION	WALL THICKNESS	LIST PRICE
Z1320XL*	3/4" Hose Connection Stainless Steel Box and Face with Copper Casing	6", 8"	1,942.00
		10", 12", 14"	2,010.00
		16", 18"	2,120.00
		20", 22", 24"	2,224.00
		26", 30"	2,475.00

SUFFIXES	ADD
-CL	Cylinder Lock 223.00
-NB	Polished Nickel Bronze Face N/C
-PB	Polished Bronze Face 80.00
-RK	Hydrant Parts Repair Kit (HYD-RK-Z1321XL/33XL) 419.00
-RT12	Ceramic Cartridge Removal Tool (Up to 12") 63.00
-RT24	Ceramic Cartridge Removal Tool (Up to 24") 63.00
-RT36	Ceramic Cartridge Removal Tool (Up to 36") 63.00
-WC	Wall Clamp N/C
-34EL	3/4" 90° Solder Inlet Elbow N/C
-34FIP	3/4" IP Straight Female Inlet Adapter 56.00

BEST SELLERS	LIST PRICE
Z1320-3/4X6	1,942.00
Z1320-3/4X8	1,942.00
Z1320-3/4X10	2,010.00
Z1320-3/4X12	2,010.00

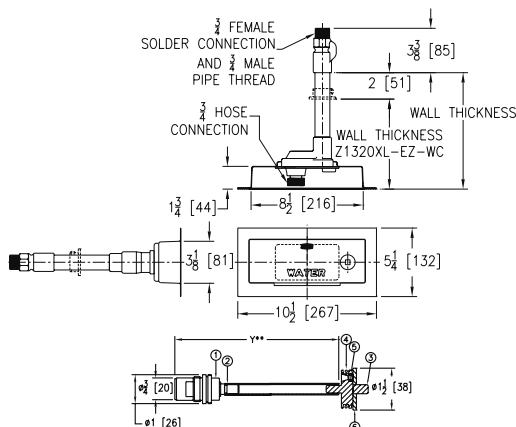
Z1320XL-EZ ECOLOTROL CERAMIC DISC WALL HYDRANT – ENCASED, NON-FREEZE, ANTI-SIPHON, AUTOMATIC DRAINING



XL LEAD FREE

ENGINEERING SPECIFICATION

Zurn Z1320XL-EZ encased, Ecolotrol, lead-free[†], non-freeze automatic draining wall hydrant is designed for flush installation. Features integral backflow preventer, anti-siphon technology, copper casing, all bronze interior components with 1/2 turn long-life ceramic disc cartridge, combination 3/4" female solder and 3/4" male pipe thread inlet connection, and 3/4" male hose connection. Comes complete with Type 304 stainless steel housing and hinged cover that includes operating key lock and "WATER" cast on cover. Hydrant housing fits within one standard modular masonry course. Recommended wall opening: 3-3/16" X 8-1/2".



Wall Thickness inches [mm]	Approximate Weight lb [kg]
6 [152], 8 [203]	5 [2]
10 [254], 12 [305], 14 [356]	6 [3]
16 [406], 18 [457]	7 [3]
20 [508], 22 [559], 24 [610]	8 [4]
26 [660], 30 [762]	10 [5]

PRODUCT	DESCRIPTION	WALL THICKNESS	LIST PRICE
Z1320XL-EZ*	3/4" Hose Connection Stainless Steel Box and Face with Copper Casing	6", 8"	2,032.00
		10", 12", 14"	2,105.00
		16", 18"	2,220.00
		20", 22", 24"	2,329.00
		26", 30"	2,594.00

SUFFIXES	ADD
-CL	Cylinder Lock 223.00
-RK	Hydrant Parts Repair Kit (HYD-RK-Z1321XL/33XL) 419.00
-RT12	Ceramic Cartridge Removal Tool (Up to 12") 63.00
-RT24	Ceramic Cartridge Removal Tool (Up to 24") 63.00
-RT36	Ceramic Cartridge Removal Tool (Up to 36") 63.00
-WC	Wall Clamp N/C
-34EL	3/4" IP 90° Solder Inlet Elbow N/C
-34FIP	3/4" IP Straight Female Inlet Adapter 56.00

BEST SELLERS	LIST PRICE
Z1320XL-EZ-3/4x6	2,032.00
Z1320XL-EZ-3/4x10	2,105.00
Z1320XL-EZ-3/4x12	2,105.00

Items designated as Best Sellers are most specified and are generally in stock for shipment.
 ⌚ This symbol denotes a product that is engineered to reduce installation and rework time.
 For additional product information, please visit www.zurn.com

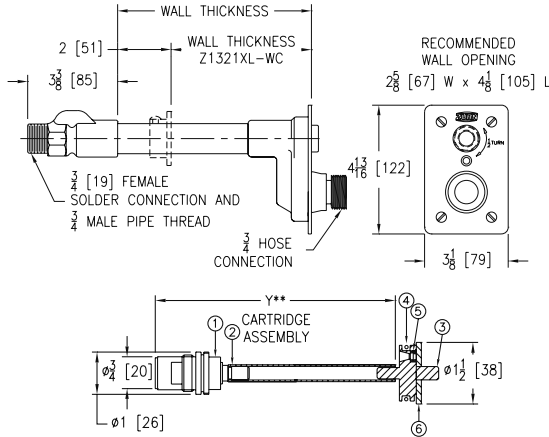
[†]Lead-free product. For more information, see page 264.
 *Regularly furnished unless otherwise specified.

Z1321XL ECOLOTROL CERAMIC DISC WALL HYDRANT – EXPOSED, NON-FREEZE, ANTI-SIPHON, AUTOMATIC DRAINING



ENGINEERING SPECIFICATION

Zurn Z1321XL exposed, Ecolotrol, lead-free¹, non-freeze automatic draining wall hydrant is designed for flush installation. Features integral backflow preventer, anti-siphon technology, copper casing, all bronze interior components with 1/2 turn long-life ceramic disc cartridge, combination 3/4" female solder and 3/4" male pipe thread inlet connection, and 3/4" male hose connection. Furnished with Type 304 stainless steel faceplate and includes operating key.



Wall Thickness inches [mm]	Approximate Weight lb [kg]
6 [152], 8 [203]	3 [1]
10 [254], 12 [305], 14 [356]	4 [2]
16 [406], 18 [457]	5 [2]
20 [508], 22 [559], 24 [610]	6 [3]
26 [660], 30 [762]	8 [4]

PRODUCT	DESCRIPTION	WALL THICKNESS	LIST PRICE
Z1321XL*	3/4" Hose Connection Stainless Steel Box and Face with Copper Casing	6", 8"	1,091.00
		10", 12", 14"	1,159.00
		16", 18"	1,269.00
		20", 22", 24"	1,373.00
		26", 30"	1,626.00
SUFFIXES			ADD
-PB	Polished Bronze Face		80.00
-RK	Hydrant Parts Repair Kit (HYD-RK-Z1321XL/33XL)		419.00
-RT12	Ceramic Cartridge Removal Tool (Up to 12" Wall)		63.00
-RT24	Ceramic Cartridge Removal Tool (Up to 24" Wall)		63.00
-RT36	Ceramic Cartridge Removal Tool (Up to 36" Wall)		63.00
-WC	Wall Clamp		N/C
-34EL	3/4" IP 90° Solder Inlet Elbow		N/C
-34FIP	3/4" IP StraightFemale Inlet Adapter		56.00
BEST SELLERS			LIST PRICE
Z1321XL-3/4x6			1,091.00
Z1321XL-3/4x8			1,091.00
Z1321XL-3/4x10			1,159.00
Z1321XL-3/4x12			1,159.00

¹Lead-free product. For more information, see page 264.
*Regularly furnished unless otherwise specified.

Items designated as Best Sellers are most specified and are generally in stock for shipment.
Ⓢ This symbol denotes a product that is engineered to reduce installation and rework time.
For additional product information, please visit www.zurn.com

Z1325 WALL HYDRANT – ENCASED, VARI-TEMP, NON-FREEZE

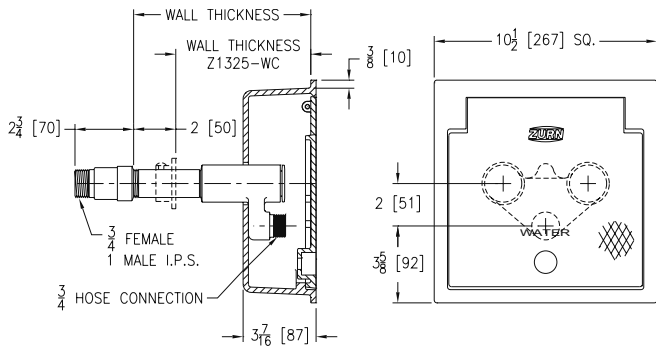


ENGINEERING SPECIFICATION

Zurn Z1325 Vari-Temp combination hot and cold water, non-freeze, encased wall hydrant is designed for flush installation. Comes complete with bronze casing, all bronze interior components, non-turning operating rods with free-floating compression closure valves, replaceable bronze seat and seat washer, and combination 3/4" female or 1" male straight IP inlet. Includes nickel bronze box and hinged cover with operating key lock and "WATER" cast on cover.

NOTES

When -VB vacuum breaker suffix is specified, the vacuum breaker must be manually tripped at the end of usage to facilitate drainage of the hydrant and maintain the non-freeze feature.



Wall Thickness inches [mm]	Approximate Weight lb [kg]
6 [152], 8 [203]	27 [12]
10 [254], 12 [305], 14 [356]	31 [14]
16 [406], 18 [457]	35 [16]
24 [610]	39 [18]

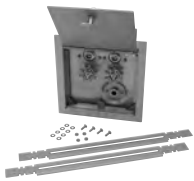
PRODUCT	DESCRIPTION	WALL THICKNESS	LIST PRICE
Z1325*	3/4" Hose Connection Nickel Bronze Box and Cover with Polished Face and Bronze Casing	6", 8" 10", 12", 14" 16", 18" 24"	4,989.00 5,127.00 5,570.00 5,848.00

SUFFIXES	ADD
-CL	Cylinder Lock 237.00
-NW	Narrow Wall (Priced same as 6-8" Wall) N/C
-RA4	24" Replacement Rod Assembly Kit 1,421.00
-RK	Hydrant Parts Repair Kit 706.00
-VB	3/4" Adapter Vacuum Breaker 175.00
-WC	Wall Clamp N/C
-34UN	3/4" IP 90° Inlet Elbow with Union Nut 119.00

SUFFIXES	DEDUCT
-PB	Polished Bronze Face -348.00

BEST SELLERS	LIST PRICE
Z1325-3/4X6	4,989.00
Z1325-3/4X6-VB	5,164.00
Z1325-3/4X8	4,989.00

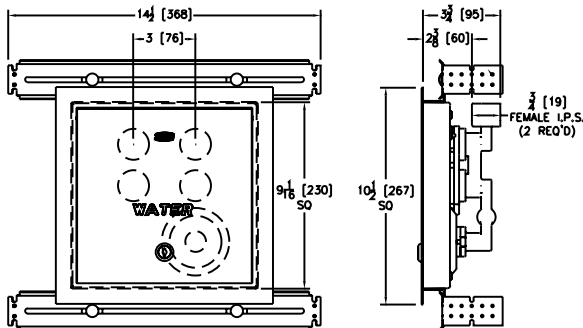
Z1327-EZ NARROW WALL HOT/COLD HYDRANT WITH MOUNTING BRACKETS – ENCASED, MODERATE CLIMATE



ENGINEERING SPECIFICATION

Zurn Z1327-EZ encased, moderate climate hot/cold wall hydrant is designed for narrow wall installation. Features bronze body, all brass interior parts, replaceable seat washers, screwdriver operated stop valves in supply, handle operated control valves, 3/4" IP female inlets, and 3/4" male hose connection standard. Includes stainless steel box and removable hinged cover with cylinder lock and "WATER" cast on cover. Comes complete with mounting brackets, hardware for installation and horizontal adjustment inside a 16" on center stud wall.

PATENTED



Wall Thickness inches [mm]	Approximate Weight lb [kg]
3-1/2 [89]	11 [5]

PRODUCT	DESCRIPTION	WALL THICKNESS	LIST PRICE
Z1327-EZ*	3/4" Hose Connection Stainless Steel Face with Bronze Body	3-1/2"	4,240.00

SUFFIXES	ADD
-RK	Hydrant Parts Repair Kit 706.00
-VB	3/4" Adapter Vacuum Breaker 175.00
-24	Mounting Brackets (for 24" on Center Stud Wall) N/C

BEST SELLERS	LIST PRICE
Z1327-3/4-EZ	4,240.00
Z1327-3/4-EZ-VB	4,415.00

*Lead-free product. For more information, see page 264.
*Regularly furnished unless otherwise specified.

Items designated as Best Sellers are most specified and are generally in stock for shipment.
Ⓢ This symbol denotes a product that is engineered to reduce installation and rework time.
For additional product information, please visit www.zurn.com

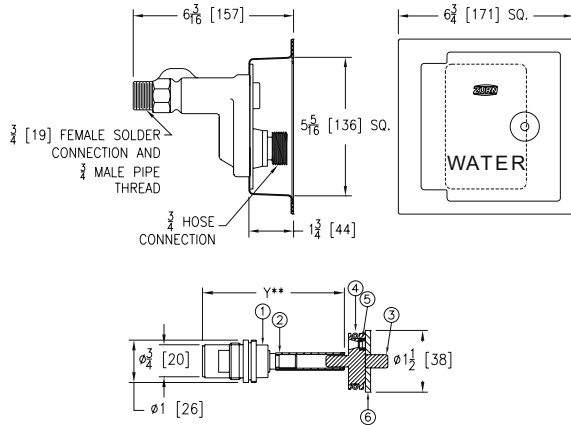
Z1330XL ECOLOTROL CERAMIC DISC WALL HYDRANT – ENCASED, ANTI-SIPHON, AUTOMATIC DRAINING, MODERATE CLIMATE



XL LEAD FREE

ENGINEERING SPECIFICATION

Zurn Z1330XL encased, Ecolotrol, lead-free[†], anti-siphon, moderate climate, interior wall hydrant is designed for flush installation. Features integral backflow preventer, anti-siphon technology, all bronze interior components with 1/2 turn long-life ceramic disc cartridge, combination 3/4" female solder and 3/4" male pipe thread inlet connection, and 3/4" male hose connection. Includes Type 304 stainless steel, flanged housing with locking, hinged cover stamped "WATER", and operating key.



Wall Thickness inches [mm]	Approximate Weight lb [kg]
8 [203]	4 [2]

PRODUCT	DESCRIPTION	WALL THICKNESS	LIST PRICE
Z1330XL*	3/4" Hose Connection Stainless Steel Box and Cover with Polished Face	8"	1,761.00
SUFFIXES			ADD
-CL	Cylinder Lock		223.00
-NB	Polished Nickel Bronze Face		N/C
-PB	Polished Bronze Face		80.00
-RK	Hydrant Parts Repair Kit (HYD-RK-Z1321XL/33XL)		419.00
-RT12	Ceramic Cartridge Removal Tool (Up to 12" Wall)		63.00
-34EL	3/4" 90° Solder Inlet Elbow		N/C
BEST SELLERS			LIST PRICE
Z1330XL-3/4			1,761.00
Z1330XL-3/4-NB			1,761.00
Z1330XL-3/4-PB			1,841.00

Z1332XL-EZ ECOLOTROL CERAMIC DISC WALL HYDRANT – ENCASED, ANTI-SIPHON, AUTOMATIC DRAINING, MODERATE CLIMATE

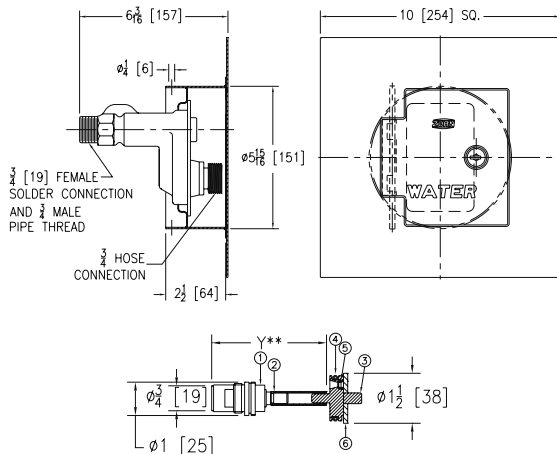


XL LEAD FREE

PATENTED

ENGINEERING SPECIFICATION

Zurn Z1332XL-EZ encased, Ecolotrol, lead-free[†], non-freeze automatic draining wall hydrant is designed for flush installation in 6" diameter cored hole concrete exterior wall. Features integral backflow preventer, anti-siphon technology, copper casing, all bronze interior components with 1/2 turn long-life ceramic disc cartridge, combination 3/4" female solder and 3/4" male pipe thread inlet connection, and 3/4" male hose connection. Includes Type 304 stainless steel housing with large flange and hinged cover that includes operating key lock and "WATER" cast on cover.



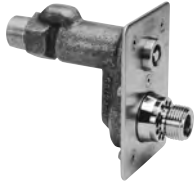
Wall Thickness inches [mm]	Approximate Weight lb [kg]
8 [203]	4 [2]

PRODUCT	DESCRIPTION	WALL THICKNESS	LIST PRICE
Z1332XL-EZ*	3/4" Hose Connection Stainless Steel Box and Cover with Polished Face	8"	2,362.00
SUFFIXES			ADD
-CL	Cylinder Lock		223.00
-RK	Hydrant Parts Repair Kit (HYD-RK-Z1321XL/33XL)		419.00
-RT12	Ceramic Cartridge Removal Tool (Up to 12" Wall)		63.00
-8	8" Diameter Cored Hole		N/C
BEST SELLER			LIST PRICE
Z1332XL-EZ-3/4			2,362.00

Items designated as Best Sellers are most specified and are generally in stock for shipment.
 Ⓢ This symbol denotes a product that is engineered to reduce installation and rework time.
 For additional product information, please visit www.zurn.com

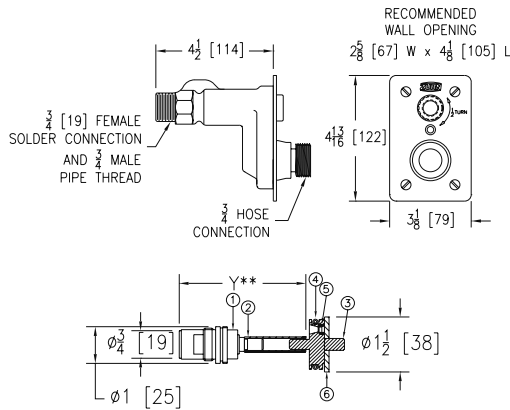
[†]Lead-free product. For more information, see page 264.
^{*}Regularly furnished unless otherwise specified.

Z1333XL ECOLOTROL CERAMIC DISC WALL HYDRANT – EXPOSED, ANTI-SIPHON, AUTOMATIC DRAINING, MODERATE CLIMATE



ENGINEERING SPECIFICATION

Zurn Z1333XL exposed, Ecolotrol, lead-free*, anti-siphon, moderate climate, interior wall hydrant is designed for flush installation. Features integral backflow preventer, anti-siphon technology, all bronze interior components with 1/2 turn long-life ceramic disc cartridge, combination 3/4" female solder and 3/4" male pipe thread inlet connection, and 3/4" male hose connection. Includes Type 304 stainless steel faceplate and operating key.



Wall Thickness inches [mm]	Approximate Weight lb [kg]
6 [152]	3 [1]

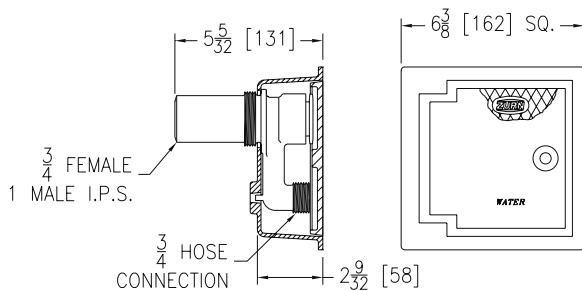
PRODUCT	DESCRIPTION	WALL THICKNESS	LIST PRICE
Z1333XL*	3/4" Hose Connection Stainless Steel Face	6"	892.00
SUFFIXES			ADD
-PB	Polished Bronze Face		80.00
-RK	Hydrant Parts Repair Kit (HYD-RK-Z1321XL/33XL)		419.00
-RT12	Ceramic Cartridge Removal Tool (Up to 12" Wall)		63.00
BEST SELLER			LIST PRICE
Z1333XL-3/4			892.00

Z1335 WALL HYDRANT – ENCASED, MODERATE CLIMATE



ENGINEERING SPECIFICATION

Zurn Z1335 encased flush wall hydrant is designed for moderate climate and interior wall installation. Comes complete with all bronze interior parts, non-turning operating coupling, free-floating compression closure valve, replaceable bronze seat and seat washer, and 3/4" female IP inlet. Includes nickel bronze box and hinged cover with operating key lock and "WATER" cast on cover.



Wall Thickness inches [mm]	Approximate Weight lb [kg]
6 [152]	8 [4]

PRODUCT	DESCRIPTION	WALL THICKNESS	LIST PRICE
Z1335*	3/4" Hose Connection Nickel Bronze Box and Cover with Polished Face	6"	2,117.00
SUFFIXES			ADD
-CL	Cylinder Lock		237.00
-RK	Hydrant Parts Repair Kit		415.00
-34FS	3/4" Solder Female Inlet Adapter		N/C
-34UN	3/4" IP 90° Inlet Elbow with Union Nut		60.00
SUFFIXES			DEDUCT
-CI	D.C.C.I. Box and Cover		-459.00
-PB	Polished Bronze Face		-266.00
BEST SELLER			LIST PRICE
Z1335-3/4			2,117.00

*Lead-free product. For more information, see page 264.
*Regularly furnished unless otherwise specified.

Items designated as Best Sellers are most specified and are generally in stock for shipment.
Ⓢ This symbol denotes a product that is engineered to reduce installation and rework time.
For additional product information, please visit www.zurn.com

Z1350 NARROW WALL HYDRANT – ENCASED, MODERATE CLIMATE



PATENTED

ENGINEERING SPECIFICATION

Zurn Z1350 encased moderate climate wall hydrant is designed for narrow wall installation. Comes complete with bronze body, all bronze interior parts, replaceable seat washer, screwdriver operated stop valve in supply, key operated control valve, and 3/4" IP female inlet connection and 3/4" male hose connection standard. Includes adjustable stainless steel box furnished with hinged cover, cylinder lock, and "WATER" stamped on cover.

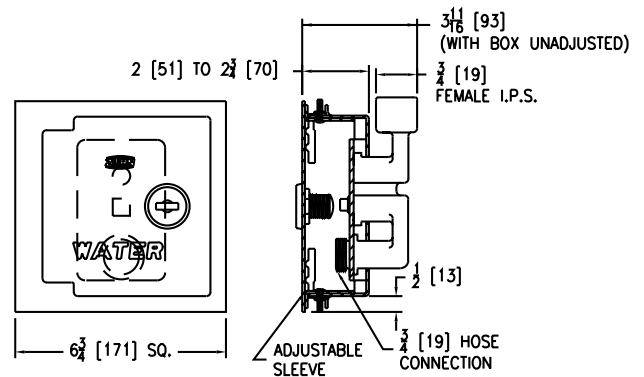
NOTES

The adjustable sleeve on the stainless steel box is provided with a gasket as standard, but additional caulking of all inside joints is required (by others) after the hydrant box has been properly set. Caulking should be performed on all open seams, including the seams where the gasket is present.

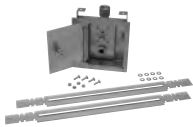
BEST SELLERS	LIST PRICE
Z1350-3/4	1,566.00
Z1350-3/4-34EL	1,566.00
Z1350-3/4-34FS-VB	1,741.00
Z1350-3/4-VB	1,741.00

Wall Thickness inches [mm]	Approximate Weight lb [kg]
4 [102]	4 [2]

PRODUCT	DESCRIPTION	WALL THICKNESS	LIST PRICE
Z1350*	3/4" Hose Connection Stainless Steel Box and Cover with Bronze Body	4"	1,566.00
SUFFIXES			ADD
-RK	Hydrant Parts Repair Kit		659.00
-VB	3/4" Adapter Vacuum Breaker		175.00
-34EL	3/4" IP 90° Inlet Elbow Adapter		N/C
-34FS	3/4" Solder Female Inlet Adapter		N/C



Z1350-EZ NARROW WALL HYDRANT WITH MOUNTING BRACKETS – ENCASED, MODERATE CLIMATE



ENGINEERING SPECIFICATION

Zurn Z1350-EZ encased moderate climate wall hydrant is designed for narrow wall installation. Features bronze body, all bronze interior parts, replaceable seat washer, screwdriver operated stop valve in supply, key operated control valve, and 3/4" IP female inlet and 3/4" male hose connection standard. Includes stainless steel box and hinged cover with cylinder lock and "WATER" stamped on cover. Comes complete with mounting brackets and hardware for installation and horizontal adjustment inside a 16" on center stud wall.

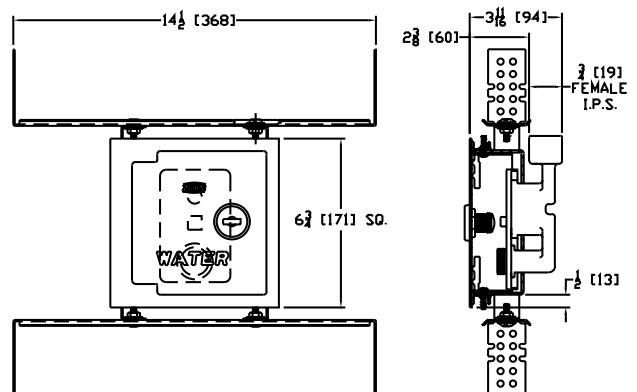
NOTES

The adjustable sleeve on the stainless steel box is provided with a gasket as standard, but additional caulking of all inside joints is required (by others) after the hydrant box has been properly set. Caulking should be performed on all open seams, including the seams where the gasket is present.

BEST SELLERS	LIST PRICE
Z1350-3/4-EZ	1,772.00
Z1350-3/4-EZ-VB	1,947.00

Wall Thickness inches [mm]	Approximate Weight lb [kg]
4 [102]	6 [3]

PRODUCT	DESCRIPTION	WALL THICKNESS	LIST PRICE
Z1350-EZ*	3/4" Hose Connection Stainless Steel Box and Cover with Bronze Body	4"	1,772.00
SUFFIXES			ADD
-RK	Hydrant Parts Repair Kit		659.00
-VB	3/4" Adapter Vacuum Breaker		175.00
-24	Mounting Brackets (For 24" on Center Stud Wall)		N/C
-34EL	3/4" IP 90° Inlet Elbow Adapter		N/C
-34FS	3/4" Solder Female Inlet Adapter		N/C



Items designated as Best Sellers are most specified and are generally in stock for shipment.
 ⌚ This symbol denotes a product that is engineered to reduce installation and rework time.
 For additional product information, please visit www.zurn.com

*Lead-free product. For more information, see page 264.
 *Regularly furnished unless otherwise specified.

Z1360XL GROUND HYDRANT – ENCASED, FLUSH TYPE, NON-FREEZE

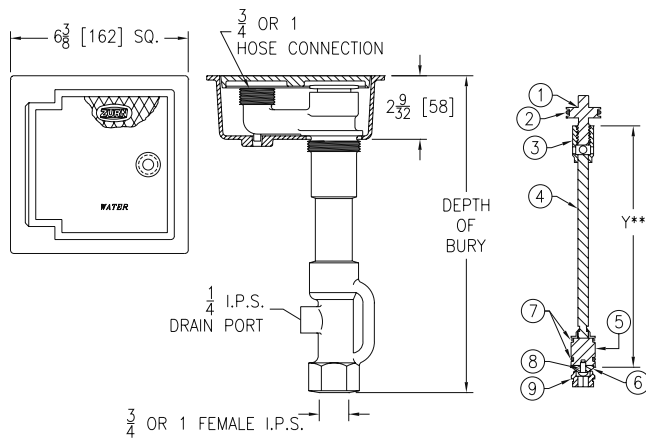


ENGINEERING SPECIFICATION

Zurn Z1360-XL encased, lead-free¹, non-freeze ground hydrant is designed for flush with grade or finished (non-traffic) floor installation. Features galvanized steel casing, bronze and stainless steel interior components, bronze seat and replaceable seat washer, non-turning operating rod, and free-floating compression closure valve with 3/4" or 1" inlet connection with 1/4" tapped drainage port on housing, and 3/4" or 1" male hose connection. Includes plain bronze box and locking, hinged, scoriated cover stamped "WATER" and operating key.

NOTES

†Non-Freeze feature will not automatically function when (-VB suffix) vacuum breaker is specified. The vacuum breaker must be manually tripped to facilitate drainage of hydrant.



Depth of Bury feet [m]	Approximate Weight lb [kg]
2 [0.61]	17 [8]
3 [0.91]	21 [10]
4 [1.22]	25 [11]
5 [1.52]	33 [15]
6 [1.83]	39 [18]
7 [2.13]	43 [20]
8 [2.44]	47 [21]
9 [2.74]	52 [24]
10 [3.05]	56 [25]

PRODUCT	DESCRIPTION	DEPTH OF BURY FEET	LIST PRICE
Z1360XL*	3/4" Hose Connection Bronze Box and Scoriated Cover with Galvanized Steel Casing	2'	2,607.00
		3'	2,796.00
		4'	2,995.00
		5'	3,208.00
		6'	3,402.00
		7'	3,599.00
		8'	3,796.00
		9'	4,007.00
		10'	4,195.00
			1" Hose Connection Bronze Box and Scoriated Cover with Galvanized Steel Casing
3'	3,203.00		
4'	3,400.00		
5'	3,618.00		
6'	3,808.00		
7'	4,006.00		
8'	4,204.00		
9'	4,418.00		
10'	4,602.00		
SUFFIXES			
-DP12	1/2" IP Drain Port in Box	223.00	
-DP14	1/4" IP Drain Port in Box	223.00	
-DP38	3/8" IP Drain Port in Box	223.00	
-HD-8	Heavy-Duty Ductile Iron Cover with Cast Iron Box	470.00	
-HD-10	Heavy-Duty Stainless Steel Cover with Nickel Box	995.00	
-K	Flashing Flange Only	980.00	
-KC	Flashing Flange with Clamp Collar	1,065.00	
-NB	Polished Nickel Bronze Face	328.00	
-PB	Polished Bronze Face	76.00	
-RK	Hydrant Parts Repair Kit (HYD-RK-Z1360XL)	419.00	
-VB	3/4" Adapter Vacuum Breaker† (Requires deeper box to accommodate vacuum breaker)	177.00	
SUFFIXES		DEDUCT	
-CI	D.C.I. Box and Cover	-434.00	
BEST SELLERS		LIST PRICE	
Z1360-3/4X2		2,607.00	
Z1360-3/4X2-NB		2,935.00	
Z1360-3/4X3		2,796.00	
Z1360-3/4X4		2,995.00	

¹Lead-free product. For more information, see page 264.
*Regularly furnished unless otherwise specified.

Items designated as Best Sellers are most specified and are generally in stock for shipment.
Ⓢ This symbol denotes a product that is engineered to reduce installation and rework time.
For additional product information, please visit www.zurn.com

Z1365 GROUND HYDRANT – ENCASED, FLUSH TYPE, NON-FREEZE

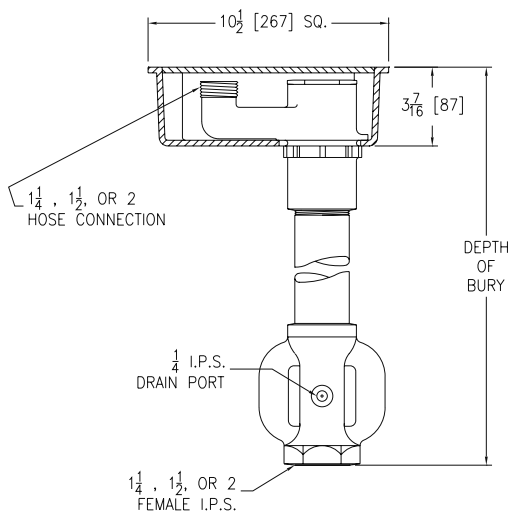


ENGINEERING SPECIFICATION

Zurn Z1365 encased, non-freeze ground hydrant is designed for flush with grade or finished floor installation. Features galvanized steel casing, all bronze interior parts, bronze seat and replaceable seat washer, and non-turning operating rod with free-floating compression closure valve with 1-1/4", 1-1/2", or 2" connection. Includes Dura-Coated cast iron box and hinged scoriated cover with operating "T" handle key lock and "WATER" cast on cover. Hydrant is equipped with a tapped 1/4" NPT drain port in valve housing.

NOTES

Important: Hydrant must be opened one turn minimum to seal drain port during use.



Depth of Bury feet [m]	Approximate Weight lb [kg]
2 [0.61]	42 [19]
3 [0.91]	46 [21]
4 [1.22]	50 [23]
5 [1.52]	54 [24]
6 [1.83]	58 [26]

PRODUCT	DESCRIPTION	DEPTH OF BURY FEET	LIST PRICE
Z1365*	1-1/4" Inlet/Hose Connection	2'	11,505.00
	D.C.C.I. Box and Scoriated Cover with Galvanized Steel Casing	3'	11,874.00
	1-1/2" Inlet/Hose Connection	2'	12,623.00
	D.C.C.I. Box and Scoriated Cover with Galvanized Steel Casing	3'	13,002.00
		4'	13,370.00
		5'	13,772.00
		6'	14,170.00
	2" Inlet/Hose Connection D.C.C.I. Box and Scoriated Cover with Galvanized Steel Casing	2'	14,735.00
		3'	15,110.00
		4'	15,477.00
		5'	15,884.00
		6'	16,281.00

SUFFIXES		ADD
-DP14	1/4" IP Drain Port in Box	237.00
-NB	Polished Nickel Bronze Face	720.00
-PB	Polished Bronze Face	415.00
-RK	Hydrant Parts Repair Kit	1,510.00
BEST SELLERS		LIST PRICE
Z1365-1-1/2X14		POA
Z1365-1-1/2X14-PB		POA

Z1370 GROUND HYDRANT – ENCASED, HOSE STORAGE, NON-FREEZE

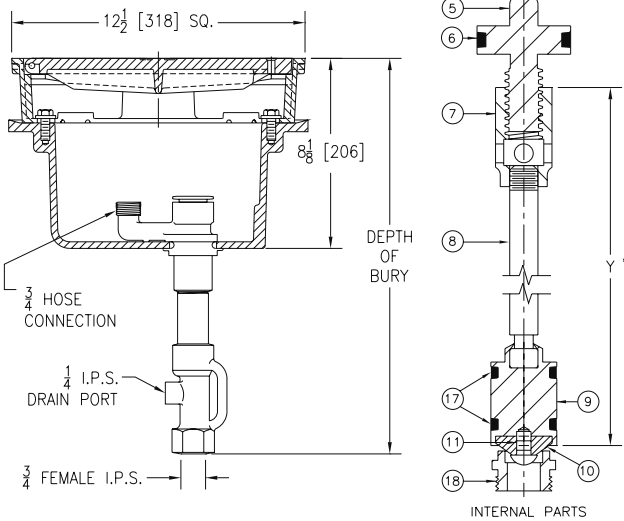


ENGINEERING SPECIFICATION

Zurn Z1370 encased, non-freeze ground hydrant is designed for flush with grade or finished floor installation. Features galvanized steel casing, all bronze interior components bronze seat and replaceable seat washer, and non-turning operating rod with free-floating compression closure valve. Dura-Coated cast iron box provides hose storage and comes complete with hinged, scoriated cover with operating key lock. Hydrant is equipped with a tapped 1/4" NPT drain port in valve housing. (Hose should always be disconnected for storage.)

NOTES

Important: Hydrant must be opened one turn minimum to seal drain port during use.



Depth of Bury feet [m]	Approximate Weight lb [kg]
2 [0.61]	81 [37]
3 [0.91]	85 [39]
4 [1.22]	89 [40]
6 [1.83]	97 [44]

PRODUCT	DESCRIPTION	DEPTH OF BURY FEET	LIST PRICE
Z1370*	3/4" Hose Connection D.C.C.I. Box and Scoriated Cover with Galvanized Steel Casing	2'	4,975.00
		3'	5,198.00
		4'	5,355.00
		6'	5,555.00
SUFFIXES			ADD
-BC	Bronze Casing		472.00
-DP12	1/2" IP Drain Port in Box		237.00
-NB	Polished Nickel Bronze Face (Add 3/16" to 8-1/2" Dim. and 3/4" to 12-1/2" Dim.)		3,721.00
-RK	Hydrant Parts Repair Kit		415.00
BEST SELLER			LIST PRICE
Z1370-3/4X2			4,975.00

¹Lead-free product. For more information, see page 264.
*Regularly furnished unless otherwise specified.

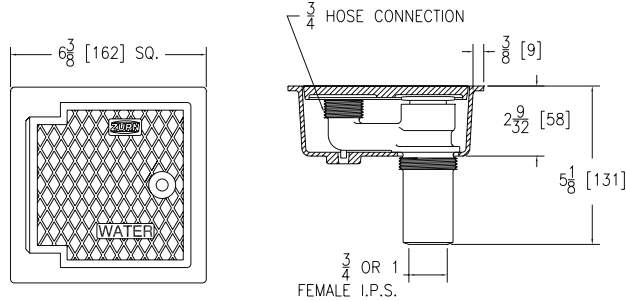
Items designated as Best Sellers are most specified and are generally in stock for shipment.
Ⓢ This symbol denotes a product that is engineered to reduce installation and rework time.
For additional product information, please visit www.zurn.com

Z1375 GROUND HYDRANT – ENCASED, MODERATE CLIMATE, INTERIOR USE



ENGINEERING SPECIFICATION

Zurn Z1375 encased, moderate climate ground hydrant is designed for flush with grade or finished floor installation. Comes complete with all bronze interior parts, replaceable bronze seat and seat washer, and non-turning operating coupling with free-floating compression closure valve. Includes Dura-Coated cast iron box and hinged, scoriated cover with "WATER" cast on cover.



Approximate Weight lb [kg]	
8 [4]	

PRODUCT	DESCRIPTION	APP. WT. LBS.	LIST PRICE
Z1375*	3/4" Hose Connection D.C.C.I. Box and Scoriated Cover with Bronze Hydrant	8	1,874.00
SUFFIXES		ADD	
-DP14	1/4" Drain Port in Box		237.00
-HD-8	Heavy-Duty Ductile Iron Cover with Cast Iron Box		495.00
-HD-10	Heavy Duty Stainless Steel Cover with Nickel Box		1,055.00
-NB	Polished Nickel Bronze Face		459.00
-PB	Polished Bronze Face		197.00
-RK	Hydrant Parts Repair Kit		415.00
-VB	3/4" Adapter Vacuum Breaker (Requires deeper box to accommodate vacuum breaker)		175.00
BEST SELLER		LIST PRICE	
Z1375-3/4		1,874.00	

Z1385 POST HYDRANT – EXPOSED HEAD, NON-FREEZE

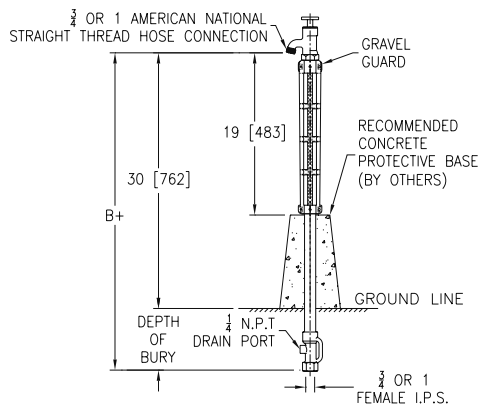


ENGINEERING SPECIFICATION

Zurn Z1385 exposed, non-freeze post hydrant features galvanized steel casing and cast aluminum casing guard, all bronze interior parts, bronze seat and replaceable seat washer, and non-turning operating rod with free-floating compression closure valve with 3/4" or 1" connection. Includes operating key. Hydrant is equipped with a tapped 1/4" NPT drain port in valve housing.

NOTES

- 'B' dimension based on outlet connection 30" above ground.
- Important: Hydrant must be opened one turn minimum to seal drain port during use.
- Non-Freeze feature will not automatically function when (-VB suffix) vacuum breaker is specified. The vacuum breaker must be manually tripped to facilitate drainage of hydrant.



Depth of Bury feet [m]	B+ feet [m]	Approximate Weight lb [kg]
2 [0.61]	4-1/2 [1.37]	25 [11]
3 [0.91]	5-1/2 [1.68]	29 [13]
4 [1.22]	6-1/2 [1.98]	33 [15]
5 [1.52]	7-1/2 [2.29]	37 [17]
6 [1.83]	8-1/2 [2.59]	41 [19]
7 [2.13]	9-1/2 [2.90]	45 [20]
8 [2.44]	10-1/2 [3.20]	49 [22]

PRODUCT	DESCRIPTION	DEPTH OF BURY FEET	LIST PRICE
Z1385*	1" Inlet/Hose Connection Bronze Exposed Head with Galvanized Steel Casing and Aluminum Casing Guard	2'	2,641.00
		3'	2,856.00
		4'	3,073.00
		5'	3,296.00
		6'	3,522.00
		7'	3,768.00
		8'	4,004.00
			3/4" Inlet/Hose Connection Bronze Exposed Head with Galvanized Steel Casing and Aluminum Casing Guard
3'	3,595.00		
4'	3,811.00		
5'	4,030.00		
6'	4,258.00		
7'	4,498.00		
8'	4,735.00		
SUFFIXES			
-RK	Hydrant Parts Repair Kit		415.00
-VB	3/4" Adapter Vacuum Breaker†		175.00
-WH	Wheel Handle		364.00
BEST SELLERS		LIST PRICE	
Z1385-3/4X2		2,641.00	
Z1385-3/4X2-VB		2,816.00	
Z1385-3/4X3		2,856.00	

Items designated as Best Sellers are most specified and are generally in stock for shipment.
 ⌚ This symbol denotes a product that is engineered to reduce installation and rework time.
 For additional product information, please visit www.zurn.com

*Lead-free product. For more information, see page 264.
 †Regularly furnished unless otherwise specified.

Z1388XL ROOF HYDRANT – EXPOSED HEAD, NON-FREEZE



ENGINEERING SPECIFICATION

Zurn Z1388XL exposed, lead-free[†], non-freeze roof hydrant features a Dura-Coated cast iron head and lift handle with lock option, galvanized steel casing, bronze and stainless steel interior components, 3/4" inlet connection with 1/8" tapped drain port on housing, and 3/4" male hose connection. Comes complete with Dura-Coated cast iron roof support sleeve, wide anchoring flange, and clamp collar.

NOTES

†Non-Freeze feature will not automatically function when vacuum breaker (-VB suffix) is specified. The vacuum breaker must be manually tripped to facilitate drainage of hydrant.



XL LEAD FREE

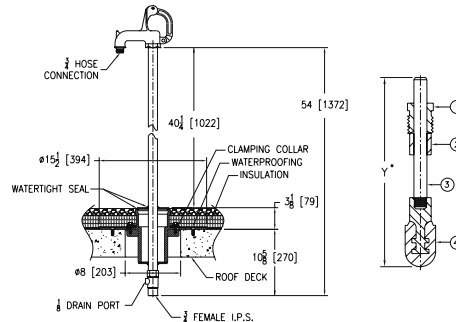
Approximate Weight lb [kg]

27 [12]

BEST SELLERS

	LIST PRICE
Z1388XL	3,987.00
Z1388XL-VB	4,164.00

PRODUCT	DESCRIPTION	APP. WT. LBS.	LIST PRICE
Z1388XL*	3/4" Inlet/Hose Connection	27	3,987.00
SUFFIXES			ADD
-AC	Aluminum Casing Guard		278.00
-RK	Hydrant Parts Repair Kit (HYD-RK-Z1395XL)		309.00
-VB	3/4" Adapter Vacuum Breaker†		177.00



Z1390 POST HYDRANT – EXPOSED HEAD, NON-FREEZE



ENGINEERING SPECIFICATION

Zurn Z1390 exposed, non-freeze post hydrant features galvanized steel casing and cast aluminum casing guard, all bronze interior parts, bronze seat and replaceable seat washer, and non-turning operating rod with free-floating compression closure valve with 1-1/4", 1-1/2", or 2" connection. Includes T-handle operating key. Hydrant is equipped with a tapped 1/4" NPT drain port in valve housing.

NOTES

1. 'B' dimension based on outlet connection 30" above ground.
2. Important: Hydrant must be opened one turn minimum to seal drain port during use.

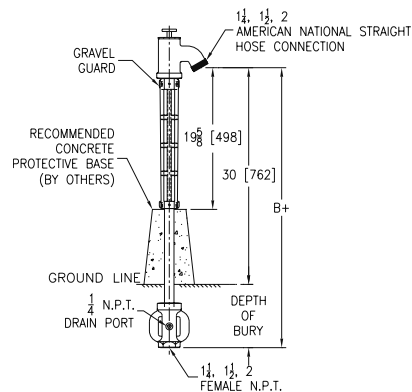
Depth of Bury feet [m]	B+ feet [m]	Approximate Weight lb [kg]
3 [0.91]	5-1/2 [1.68]	62 [28]
4 [1.22]	6-1/2 [1.98]	67 [30]
5 [1.52]	7-1/2 [2.29]	72 [33]
6 [1.83]	8-1/2 [2.59]	77 [35]
8 [2.44]	10-1/2 [3.20]	87 [39]

BEST SELLERS

	LIST PRICE
Z1390-1-1/2X3	9,558.00
Z1390-1-1/2X4	10,212.00

PRODUCT	DESCRIPTION	DEPTH OF BURY FEET	LIST PRICE
Z1390*	1-1/4" Hose Connection Bronze Exposed Head with Galvanized Steel Casing and Aluminum Casing Guard	3'	7,176.00
		4'	7,823.00
		5'	8,207.00
		6'	8,584.00
		8'	9,450.00
	1-1/2" Hose Connection Bronze Exposed Head with Galvanized Steel Casing and Aluminum Casing Guard	3'	9,558.00
		4'	10,212.00
		5'	10,592.00
		6'	10,962.00
		8'	11,831.00
	2" Hose Connection Bronze Exposed Head with Galvanized Steel Casing and Aluminum Casing Guard	3'	11,826.00
		4'	12,474.00
		5'	12,859.00
		6'	13,233.00
		8'	14,099.00

SUFFIXES	ADD	
-RK	Hydrant Parts Repair Kit	1,510.00
-WH	Wheel Handle	716.00



[†]Lead-free product. For more information, see page 264.

*Regularly furnished unless otherwise specified.

Items designated as Best Sellers are most specified and are generally in stock for shipment.

Ⓢ This symbol denotes a product that is engineered to reduce installation and rework time.

For additional product information, please visit www.zurn.com

Z1395XL YARD HYDRANT – EXPOSED HEAD, NON-FREEZE



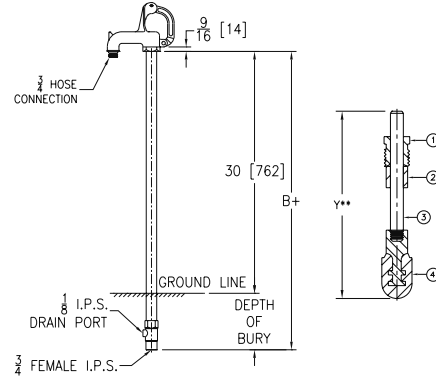
ENGINEERING SPECIFICATION

Zurn Z1395XL exposed, lead-free[†], non-freeze yard hydrant features a Dura-Coated cast iron head and lift handle with lock option, galvanized steel casing, bronze and stainless steel interior components, 3/4" inlet connection with 1/8" tapped drainage port on housing, and 3/4" male hose connection.

NOTES

1. B' dimension based on outlet connection 30" above ground.
2. †Non-Freeze feature will not automatically function when vacuum breaker (-VB suffix) is specified. The vacuum breaker must be manually tripped to facilitate drainage of hydrant.

Depth of Bury feet [m]	B+ feet [m]	Approximate Weight lb [kg]
2 [0.61]	4-1/2 [1.37]	15 [7]
3 [0.91]	5-1/2 [1.68]	19 [9]
4 [1.22]	6-1/2 [1.98]	23 [10]
5 [1.52]	7-1/2 [2.29]	27 [12]
6 [1.83]	8-1/2 [2.59]	31 [14]
8 [2.44]	10-1/2 [3.20]	39 [18]



PRODUCT	DESCRIPTION	DEPTH OF BURY FEET	LIST PRICE
Z1395XL*	3/4" Hose Connection D.C.C.I. Head with Galvanized Steel Casing	2'	1,578.00
		3'	1,687.00
		4'	1,730.00
		5'	1,780.00
		6'	1,831.00
		8'	1,980.00
SUFFIXES			ADD
-AC	Aluminum Casing Guard		278.00
-RK	Hydrant Parts Repair Kit		334.00
-VB	3/4" Adapter Vacuum Breaker†		177.00
BEST SELLERS			LIST PRICE
Z1395XL-3/4x2			1,578.00
Z1395XL-3/4x3			1,687.00

Items designated as Best Sellers are most specified and are generally in stock for shipment.
 ⌚ This symbol denotes a product that is engineered to reduce installation and rework time.
 For additional product information, please visit www.zurn.com

[†]Lead-free product. For more information, see page 264.
[†]Regularly furnished unless otherwise specified.

INTRO
 ROOF DRAINS
 FLOOR DRAINS
 T, P, BW VALVES
 INTERCEPTORS
 CARRIERS
 HYDRANTS
 CLEANOUTS
 WHA
 SS DRAINS
 SANI-FLOOR
 TECH INFO

Z1397XL FLO-TROL YARD HYDRANT – EXPOSED HEAD, NON-FREEZE



ENGINEERING SPECIFICATION

Zurn Z1397XL exposed, lead-free¹, non-freeze yard hydrant features a Dura-Coated cast iron head and lift handle with lock option, slotted links for adjustable locking flow control, galvanized steel casing, bronze and stainless steel interior components, 3/4" inlet connection with 1/8" tapped drainage port on housing, and 3/4" male hose connection.

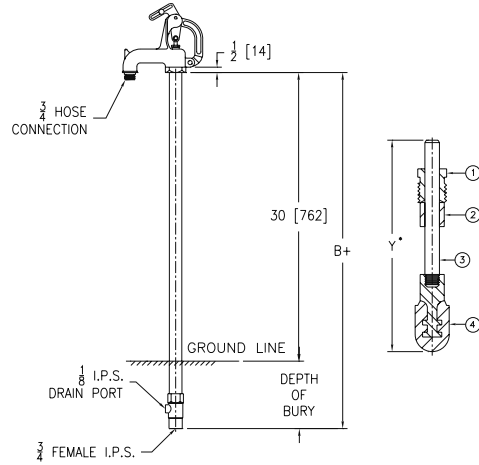
NOTES

†Non-Freeze feature will not automatically function when vacuum breaker (-VB suffix) is specified. The vacuum breaker must be manually tripped to facilitate drainage of hydrant.



XL LEAD FREE

Depth of Bury feet [m]	B+ feet [m]	Approximate Weight lb [kg]
2 [0.61]	4-1/2 [1.37]	15 [7]
3 [0.91]	5-1/2 [1.68]	19 [9]
4 [1.22]	6-1/2 [1.98]	23 [10]
5 [1.52]	7-1/2 [2.29]	27 [12]
6 [1.83]	8-1/2 [2.59]	31 [14]
8 [2.44]	10-1/2 [3.20]	39 [18]



PRODUCT	DESCRIPTION	DEPTH OF BURY FEET	LIST PRICE
Z1397XL*	3/4" Hose Connection D.C.C.I. Head with Galvanized Steel Casing	2'	1,578.00
		3'	1,687.00
		4'	1,730.00
		5'	1,780.00
		6'	1,831.00
		8'	1,980.00
SUFFIXES			ADD
-AC	Aluminum Casing Guard		278.00
-RK	Hydrant Parts Repair Kit		334.00
-VB	3/4" Adapter Vacuum Breaker†		177.00

¹Lead-free product. For more information, see page 264.
*Regularly furnished unless otherwise specified.

Items designated as Best Sellers are most specified and are generally in stock for shipment.
Ⓢ This symbol denotes a product that is engineered to reduce installation and rework time.
For additional product information, please visit www.zurn.com

CLEANOUTS

CLEANOUTS – APPLICATION INDEX	282
🕒 Z1400-BZ1 FLOOR CLEANOUT WITH "TYPE B" COVER AND EZ1™ TECHNOLOGY	283
🕒 Z1400-SZ1 BODY ASSEMBLY W/ "TYPE S" COVER AND EZ1™ TECHNOLOGY	284
🕒 Z1400-BZ1-DP BODY ASSEMBLY W/ "TYPE B" COVER, DECK PLATE AND EZ1™ TECHNOLOGY	285
🕒 Z1400-SZ1-DP BODY ASSEMBLY W/ "TYPE S" COVER, DECK PLATE AND EZ1™ TECHNOLOGY	286
🕒 Z1400B-DP BODY ASSEMBLY W/ "TYPE B" COVER AND DECK PLATE	287
🕒 Z1400S-DP BODY ASSEMBLY W/ "TYPE S" COVER AND DECK PLATE	288
Z1400 EXTRA HEAVY-DUTY "LEVEL-TROL" ADJUSTABLE FLOOR CLEANOUT	289
Z1400-K HEAVY-DUTY "LEVEL-TROL" ADJUSTABLE FLOOR CLEANOUT WITH ANCHOR FLANGE	290
Z1402 HEAVY-DUTY NON-ADJUSTABLE FLOOR CLEANOUT	291
Z1404 HEAVY-DUTY FLOOR ACCESS HOUSING	292
Z1406 HEAVY-DUTY ADJUSTABLE SPIGOT CLEANOUT	292
Z1440 CLEANOUT FERRULE WITH PLUG	293
Z1445 CLEANOUT TEE	294
Z1446 CLEANOUT WITH ROUND WALL ACCESS COVER	294
Z1449 CLEANOUT FERRULE WITH PLUG	295
Z1454 ADJUSTABLE FLOOR CLEANOUT WITH FLASHING FLANGE	295
Z1456 DECK CLEANOUT	296
Z1457 FLOOR ACCESS COVER	296
Z1460 SQUARE WALL ACCESS PANEL	297
Z1461 SQUARE HINGED ACCESS PANEL	297
Z1462 SECURED WALL ACCESS PANEL	298
Z1463 ROUND SCORIATED ACCESS COVER	298
Z1464 WATER SUPPLY CONTROL BOX ASSEMBLY	299
Z1468 ACCESS COVER AND PLUG	299
Z1469 ROUND ACCESS COVER	300
Z1470 BRONZE CLEANOUT PLUG	300
Z1471 AIR INLET	301
Z1474 HEAVY-DUTY CLEANOUT HOUSING	301

CLEANOUTS – APPLICATION INDEX

Product selection should be made with a specific application and the type of construction in mind. The varied types and sizes of Zurn cleanouts, along with their options, offer a selection for all applications.

APPLICATION	TYPE	RECOMMENDED CLEANOUT
Finished Floor Areas	"Level-Trol" Adjustable	Z1400, Z1400-K, ZN1400, ZN1454
	Non-Adjustable	ZN1402
	Linoleum, Tile or Composition Floors (Adjustable)	Z1400B-DP, Z1400S-DP, ZN1400-K, ZN1400-TX (Square), ZN1400-X (Round)
	Linoleum, Tile or Composition Floors (Adjustable) with EZI™ Technology (Post Pour Adjustment)	Z1400-BZ1, Z1400-SZ1, Z1400-BZ1-DP, Z1400-SZ1-DP
	Linoleum, Tile or Composition Floors (Non-Adjustable)	ZN1402-TX (Square), ZN1402-X (Round)
	Terrazzo Floors	Z1400-K, ZN1400-Z
Heavy Traffic and Industrial Areas	"Level-Trol" Adjustable	Z1400, ZN1400-HD (Round or Square), Z1400-K
	Non-Adjustable	ZN1402-HD, Z1474
Medium Traffic and Areaways	Adjustable (Finished Area)	Z1454, Z1404
Exposed Drainage Lines	Horizontal and Vertical Cleanouts	Z1440, Z1445
Access Covers and Boxes	Deck Areas	Z1456, Z1457, Z1463
	Square Covers	Z1460, Z1461, Z1462
	Round Covers	Z1463, Z1469
	Access Boxes	Z1464
Air Inlets	Finished Areas	Z1471
General Purpose	Cleanout	Z1440, Z1445, Z1449
	Cleanout Plug	Z1470

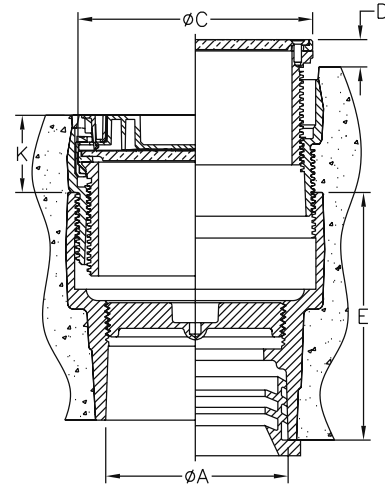
🕒 Z1400-BZ1 FLOOR CLEANOUT WITH "TYPE B" COVER AND EZ1™ TECHNOLOGY



PATENT PENDING

ENGINEERING SPECIFICATION

Zurn Z1400-BZ1 cleanout features Dura-Coated cast iron body with bottom outlet, gas and water tight threaded ABS tapered plug, and top assembly. EZ1 drainage series is engineered to simplify product installation. Rough-in adapter provides up to 1-1/4" [32] of vertical post pour adjustment, pre-packaged shims for tilt correction, and integrated, self-contained Type B light duty scoriated cover with rough-in cover for protection during concrete pour. Cleanout is designed in accordance with ASME A112.36.2M.



Cover Designation	Dimensions in inches						Approximate Weight lb [kg]
	A Pipe Size	C	D		K		
			Min.	Max.	Min.	Max.	
-5B	2 [51]	5-5/32 [131]	0	1 [25]	1-23/32 [44]	2-15/16 [75]	10 [5]
	3-4 [76-102]	5-5/32 [131]	0	1 [25]	1-23/32 [44]	2-15/16 [75]	12 [5]
-6B	2 [51]	6-8/32 [156]	0	31/32 [25]	1-11/16 [43]	2-27/32 [72]	11 [5]
	3-4 [76-102]	6-8/32 [156]	0	31/32 [25]	1-11/16 [43]	2-27/32 [72]	13 [6]
-8B	6 [152]	7-7/8 [200]	0	1 [25]	1-7/8 [48]	3-1/32 [77]	19 [9]

PREFIXES	DESCRIPTION	PIPE SIZE	LIST PRICE
ZN1400-BZ1*	D.C.C.I. with Polished Nickel Bronze Top	2"	777.00
		3"	819.00
		4"	1,096.00
		6"	1,778.00
ZB1400-BZ1	D.C.C.I. with Polished Bronze Top	2"	698.00
		3"	750.00
		4"	1,018.00
		6"	1,709.00
ZS1400-BZ1	D.C.C.I. with Polished Type 304 (CF8) Stainless Steel Top	2"	POA
		3"	POA
		4"	POA
		6"	POA

OUTLET (SPECIFY PIPE SIZE IN INCHES AND TYPE OF OUTLET)				
TYPE	DESCRIPTION	PIPE SIZE/OUTLET TYPE	E BODY HT. DIM.	ADD
NH	No-Hub	2NH, 3NH	4-3/4"	N/C
		4NH	5"	N/C
		6NH	5-1/2"	N/C
NL	Neo-Loc	2NL, 4NL	4-3/4"	N/C
		3NL	5-7/16"	N/C
		6NL	5-1/2"	N/C

SUFFIXES	DESCRIPTION	ADD
-AR	Acid Resisting Epoxy Coated Finish	437.00
-BP	Bronze Plug	2", 3", 4" 243.00
-G	Galvanized Cast Iron	278.00
🕒 -TC	Neo-Loc Test Cap Gasket (2", 3", 4" NL Bottom Outlet Only)	32.00
-UP	1-3/4" Pre-Pour Adjustment Extension Adapter	176.00
-VP	Vandal-Proof Screws	91.00

*Regularly furnished unless otherwise specified.

Items designated as Best Sellers are most specified and are generally in stock for shipment.

🕒 This symbol denotes a product that is engineered to reduce installation and rework time.

For additional product information, please visit www.zurn.com

INTRO
ROOF DRAINS
FLOOR DRAINS
I, P, BW VALVES
INTERCEPTORS
CARRIERS
HYDRANTS
CLEANOUTS
WHA
SS DRAINS
SANI-FLOOR
TECH INFO

⌚ Z1400-SZ1 BODY ASSEMBLY W/ "TYPE S" COVER AND EZ1™ TECHNOLOGY

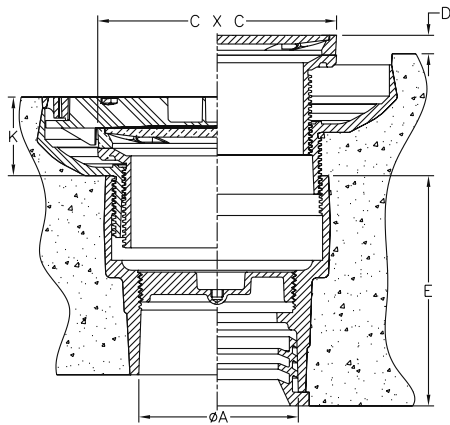


PATENT PENDING

ENGINEERING SPECIFICATION

Zurn Z1400-SZ1 cleanout features Dura-Coated cast iron body, bottom outlet, gas and water tight threaded ABS tapered plug, and top assembly. EZ1 drainage series is engineered to simplify product installation. Concrete shield provides up to 1-1/4" [32] of vertical post pour adjustment, pre-packaged shims for tilt correction, and integrated, self-contained Type S light duty scoriated cover with rough-in cover for protection during concrete pour. Cleanout is designed in accordance with ASME A112.36.2M.

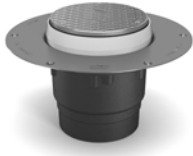
Cover Designation	Dimensions in inches						Approximate Weight lb [kg]
	A Pipe Size	Cx C	D		K		
			Min.	Max.	Min.	Max.	
-5S	2 [51]	5 X 5 [127 X 127]	0	1 [25]	1-15/16 [49]	3-1/8 [79]	12 [5]
	3-4 [76-102]	5 X 5 [127 X 127]	0	1 [25]	1-15/16 [49]	3-1/8 [79]	14 [6]
-6S	2 [51]	6 X 6 [152 X 152]	0	3/32 [25]	2 [51]	3-3/16 [81]	13 [6]
	3-4 [76-102]	6 X 6 [152 X 152]	0	3/32 [25]	2 [51]	3-3/16 [81]	15 [7]



PREFIXES	DESCRIPTION	PIPE SIZE	LIST PRICE
ZN1400-SZ1*	D.C.C.I. with Polished Nickel Bronze Top	2"	777.00
		3"	819.00
		4"	1,096.00
ZB1400-SZ1	D.C.C.I. with Polished Bronze Top	2"	777.00
		3"	819.00
		4"	1,096.00
ZS1400-SZ1	D.C.C.I. with Polished Type 304 (CF8) Stainless Steel Top	2"	POA
		3"	POA
		4"	POA

OUTLET (SPECIFY PIPE SIZE IN INCHES AND TYPE OF OUTLET)				
TYPE	DESCRIPTION	PIPE SIZE/ OUTLET TYPE	E BODY HT. DIM.	ADD
NH	No-Hub	2NH, 3NH	4-3/4"	N/C
		4NH	5"	N/C
NL	Neo-Loc	2NL, 4NL	4-3/4"	N/C
		3NL	5-7/16"	N/C
SUFFIXES				ADD
-AR	Acid Resisting Epoxy Coated Finish			437.00
-BP	Bronze Plug	2", 3", 4"		243.00
-G	Galvanized Cast Iron			278.00
⌚ -TC	Neo-Loc Test Cap Gasket (2", 3", 4" NL Bottom Outlet Only)			32.00
-VP	Vandal-Proof Screws			91.00

🕒 Z1400-BZ1-DP BODY ASSEMBLY W/ "TYPE B" COVER, DECK PLATE AND EZ1™ TECHNOLOGY

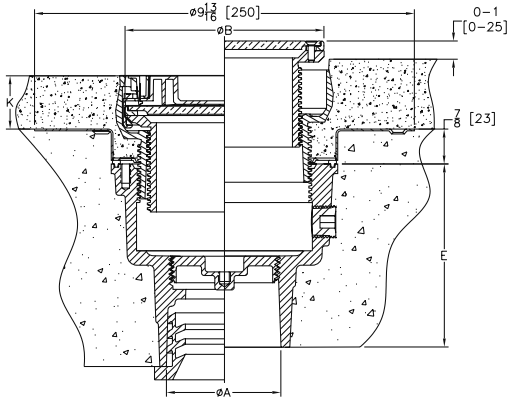


PATENT PENDING

ENGINEERING SPECIFICATION

Zurn Z1400-BZ1-DP cleanout features Dura-Coated cast iron body, gas and water tight cleanout plug, stainless steel deck plate, and top assembly. EZ1 drainage series is engineered to simplify product installation. Concrete shield provides up to 1" [25] of vertical post pour adjustment, pre-packaged shims for tilt correction, and integrated, self contained Type B light duty scoriated cover with rough-in cover for protection during concrete pour. Cleanout is designed in accordance with ASME A112.36.2M.

Cover Designation	Dimensions in inches				Approximate Weight lb [kg]
	A Pipe Size	B	K		
			Min.	Max.	
-5B	2-3 [51-76]	5 [127]	29/32 [23]	1-13/16 [46]	16 [7]



PREFIXES	DESCRIPTION	PIPE SIZE	LIST PRICE
ZN1400-BZ1-DP*	D.C.C.I. with Polished Nickel Bronze Top	2", 3"	1,332.00
ZB1400-BZ1-DP	D.C.C.I. with Polished Bronze Top	2", 3"	1,260.00
ZS1400-BZ1-DP	D.C.C.I. with Polished Type 304 (CF8) Stainless Steel Top	2", 3"	2,188.00

OUTLET (SPECIFY PIPE SIZE IN INCHES AND TYPE OF OUTLET)				
TYPE	DESCRIPTION	PIPE SIZE/ OUTLET TYPE	E BODY HT. DIM.	ADD
NH	No-Hub	2NH, 3NH	4-3/4"	N/C
NL	Neo-Loc	2NL	5-1/4"	N/C
		3NL	4-3/8"	N/C

SUFFIXES	DESCRIPTION	ADD
-AR	Acid Resisting Epoxy Coated Finish	437.00
-BP	Bronze Plug	2", 3" 243.00
-CC	Stainless Steel Clamp Collar	209.00
-G	Galvanized Cast Iron	278.00
🕒 -TC	Neo-Loc Test Cap Gasket (2", 3" NL Bottom Outlet Only)	32.00
-VP	Vandal-Proof Screws	91.00

*Regularly furnished unless otherwise specified.

Items designated as Best Sellers are most specified and are generally in stock for shipment.

🕒 This symbol denotes a product that is engineered to reduce installation and rework time.

For additional product information, please visit www.zurn.com

INTRO
ROOF DRAINS
FLOOR DRAINS
I, P, BW VALVES
INTERCEPTORS
CARRIERS
HYDRANTS
CLEANOUTS
WHA
SS DRAINS
SANI-FLOOR
TECH INFO

Ⓢ Z1400-SZ1-DP BODY ASSEMBLY W/ "TYPE S" COVER, DECK PLATE AND EZ1™ TECHNOLOGY

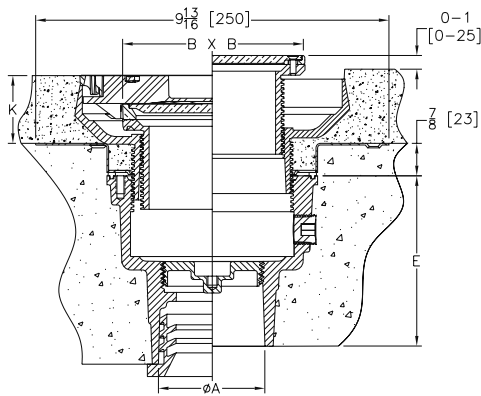


PATENT PENDING

ENGINEERING SPECIFICATION

Zurn Z1400-SZ1-DP cleanout features Dura-Coated cast iron body, gas and water tight cleanout plug, stainless steel deck plate, and top assembly. EZ1 drainage series is engineered to simplify product installation. Concrete shield provides up to 1" [25] of vertical post pour adjustment, pre-packaged shims for tilt correction, and integrated, self contained Type S light duty scoriated cover with rough-in cover for protection during concrete pour. Cleanout is designed in accordance with ASME A112.36.2M.

Cover Designation	Dimensions in inches				Approximate Weight lb [kg]
	A Pipe Size	BxB	K		
			Min.	Max.	
-5S	2-3 [51-76]	5 X 5 [127 X 127]	1-15/16 [49]	2-3/32 [53]	17 [8]



PREFIXES	DESCRIPTION	PIPE SIZE	LIST PRICE
ZN1400-SZ1-DP*	D.C.C.I. with Polished Nickel Bronze Top	2", 3"	1,332.00

ZB1400-SZ1-DP	D.C.C.I. with Polished Bronze Top	2", 3"	1,260.00
----------------------	-----------------------------------	--------	-----------------

ZS1400-SZ1-DP	D.C.C.I. with Polished Type 304 (CF8) Stainless Steel Top	2", 3"	2,188.00
----------------------	---	--------	-----------------

OUTLET (SPECIFY PIPE SIZE IN INCHES AND TYPE OF OUTLET)

TYPE	DESCRIPTION	PIPE SIZE/ OUTLET TYPE	E BODY HT. DIM.	ADD
NH	No-Hub	2NH, 3NH	4-3/4"	N/C
NL	Neo-Loc	2NL	5-1/4"	N/C
		3NL	4-3/8"	N/C

SUFFIXES

SUFFIXES	DESCRIPTION	ADD
-AR	Acid Resisting Epoxy Coated Finish	437.00
-BP	Bronze Plug	243.00
-CC	Stainless Steel Clamp Collar	209.00
-G	Galvanized Cast Iron	278.00
Ⓢ -TC	Neo-Loc Test Cap Gasket (2", 3" NL Bottom Outlet Only)	32.00
-UP	1-3/4" Pre-Pour Adjustment Extension Adapter	176.00
-VP	Vandal-Proof Screws	91.00

🕒 Z1400B-DP BODY ASSEMBLY W/ "TYPE B" COVER AND DECK PLATE

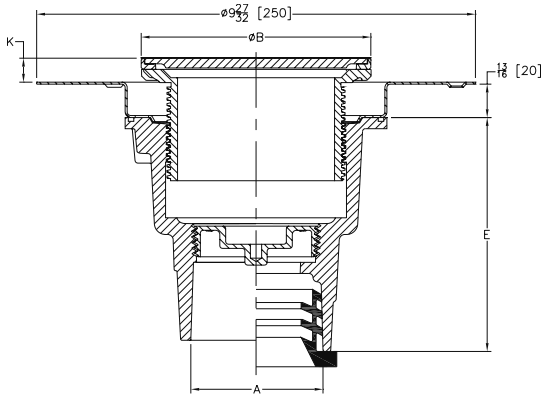


PATENT PENDING

ENGINEERING SPECIFICATION

Zurn Z1400B-DP cleanout features Dura-Coated cast iron body, gas and water tight cleanout plug, stainless steel deck plate, and Type B polished nickel bronze light duty top assembly. Cleanout is designed in accordance with ASME A112.36.2M.

Cover Designation	Dimensions in inches				Approx. Wt. Lbs. [kg]
	A Pipe Size	B	K		
			Min.	Max.	
-5B	2-3 [51-76]	5 [127]	0	1-7/16 [37]	11 [5]



PREFIXES	DESCRIPTION	PIPE SIZE	LIST PRICE
ZN1400-B-DP*	D.C.C.I. with Polished Nickel Bronze Top	2", 3"	1,332.00
ZB1400-B-DP	D.C.C.I. with Polished Bronze Top	2", 3"	1,260.00
ZS1400-B-DP	D.C.C.I. with Polished Type 304 (CF8) Stainless Steel Top	2", 3"	2,188.00

OUTLET (SPECIFY PIPE SIZE IN INCHES AND TYPE OF OUTLET)				
TYPE	DESCRIPTION	PIPE SIZE/ OUTLET TYPE	E BODY HT. DIM.	ADD
NH	No-Hub	2NH	4-7/8"	N/C
		3NH	4-3/4"	N/C
NL	Neo-Loc	2NL	5-1/4"	N/C
		3NL	4-3/8"	N/C

SUFFIXES		ADD
-AR	Acid Resisting Epoxy Coated Finish	437.00
-BP	Bronze Plug	243.00
-CC	Stainless Steel Clamp Collar	209.00
-FI	Floor Insert	75.00
-G	Galvanized Cast Iron	278.00
🕒 -TC	Neo-Loc Test Cap Gasket (2", 3" NL Bottom Outlet Only)	32.00
-VP	Vandal-Proof Screws	91.00

*Regularly furnished unless otherwise specified.

Items designated as Best Sellers are most specified and are generally in stock for shipment.

🕒 This symbol denotes a product that is engineered to reduce installation and rework time.

For additional product information, please visit www.zurn.com

🕒 **Z1400S-DP BODY ASSEMBLY W/ "TYPE S" COVER AND DECK PLATE**

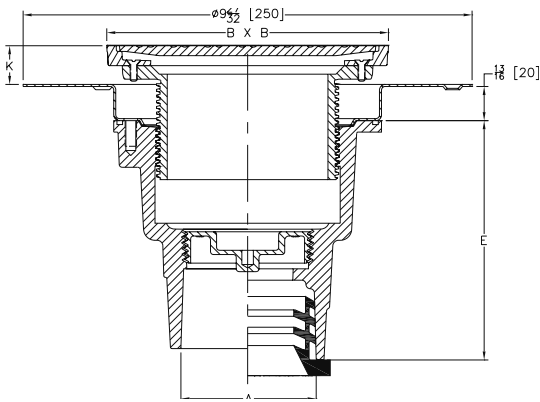


PATENT PENDING

ENGINEERING SPECIFICATION

Zurn Z1400S-DP cleanout features Dura-Coated cast iron body, gas and water tight cleanout plug, stainless steel deck plate, and Type S polished nickel bronze light duty top assembly. Cleanout is designed in accordance with ASME A112.36.2M.

Cover Designation	Dimensions in inches				Approximate Weight lb [kg]
	A Pipe Size	BxB	K		
			Min.	Max.	
-5S	2-3 [51-76]	5 X 5 [127 X 127]	7/16 [111]	1-7/16 [37]	12 [5]



PREFIXES	DESCRIPTION	PIPE SIZE	LIST PRICE
ZN1400-S-DP*	D.C.C.I. with Polished Nickel Bronze Top	2", 3"	1,332.00

ZB1400-S-DP	D.C.C.I. with Polished Bronze Top	2", 3"	1,260.00
--------------------	-----------------------------------	--------	-----------------

ZS1400-S-DP	D.C.C.I. with Polished Type 304 (CF8) Stainless Steel Top	2", 3"	2,188.00
--------------------	---	--------	-----------------

OUTLET (SPECIFY PIPE SIZE IN INCHES AND TYPE OF OUTLET)

TYPE	DESCRIPTION	PIPE SIZE/ OUTLET TYPE	E BODY HT. DIM.	ADD
NH	No-Hub	2NH	4-7/8"	N/C
		3NH	4-3/4"	N/C
NL	Neo-Loc	2NL	5-1/4"	N/C
		3NL	4-3/8"	N/C

SUFFIXES

SUFFIXES	DESCRIPTION	ADD
-AR	Acid Resisting Epoxy Coated Finish	437.00
-BP	Bronze Plug	2", 3" 243.00
-CC	Stainless Steel Clamp Collar	209.00
-G	Galvanized Cast Iron	278.00
🕒 -TC	Neo-Loc Test Cap Gasket (2", 3" NL Bottom Outlet Only)	32.00
-VP	Vandal-Proof Screws	91.00

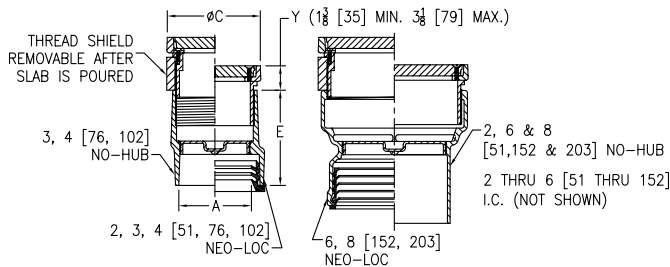
Z1400 EXTRA HEAVY-DUTY "LEVEL-TROL" ADJUSTABLE FLOOR CLEANOUT



ENGINEERING SPECIFICATION

Zurn Z1400 level-trol adjustable floor cleanout features Dura-Coated cast iron body, gas and watertight ABS tapered thread plug, and round scoriated cast iron extra heavy-duty secured top (specify finish Z, ZB, ZN, ZS) adjustable to finished floor.

A Pipe Size/ Outlet Type	Dimensions in inches [mm]		Approximate Weight lb [kg]
	C	E Body Height Dimensions	
Inside Caulk (IC)			
2IC	6-1/8 [156]	6-7/8 [175]	14 [6]
3IC	6-1/8 [156]		14 [6]
4IC	7-1/4 [184]		18 [8]
6IC	9-1/4 [235]		32 [15]
No-Hub (NH)			
2NH	4-1/8 [105]	4-5/8 [117]	7 [3]
3NH	4-1/8 [105]	4-3/4 [121]	8 [4]
4NH	5-1/8 [130]	4-3/4 [121]	10 [5]
6NH	8-1/4 [210]	4-3/4 [121]	22 [10]
8NH	9-1/4 [235]	7-1/2 [191]	30 [14]
Neo-Loc (NL)			
2NL	4-1/8 [105]	4-3/4 [121]	8 [4]
3NL	5-1/8 [130]	4-3/4 [121]	11 [5]
4NL	5-1/8 [130]	4-3/4 [121]	12 [5]
6NL	8-1/4 [210]	5-7/8 [149]	22 [10]
8NL	9-1/4 [235]	6-1/2 [165]	24 [11]



BEST SELLERS	LIST PRICE
ZN1400-2NH	777.00
ZN1400-3NH	819.00
ZN1400-3NL	819.00
Z1400-4NH	863.00
Z1400-4NH-K	863.00
ZN1400-4NH	1,096.00
ZN1400-4NH-BP	1,339.00
ZB1400-4NH	1,018.00
ZS1400-4NH-HD	POA
Z1400-4NL	863.00
Z1400-4NL-BP	1,106.00
ZN1400-4NL	1,096.00
ZB1400-4NL	1,018.00
ZB1400-4NL-HD	1,216.00
ZS1400-4NL-HD	POA
Z1400-6NL	1,500.00

PREFIXES	DESCRIPTION	A PIPE SIZE	LIST PRICE
Z1400*	Dura-Coated Cast Iron	2"	634.00
		3"	723.00
		4"	863.00
		6"	1,500.00
ZB1400	D.C.C.I. with Polished Bronze Light-Duty Top (Deduct 1/2" from 'Y' Dim.)	2"	698.00
		3"	750.00
		4"	1,018.00
		6"	1,709.00
ZN1400	D.C.C.I. with Polished Nickel Bronze Light-Duty Top (Deduct 1/2" from 'Y' Dim.)	2"	777.00
		3"	819.00
		4"	1,096.00
		6"	1,778.00
ZS1400	D.C.C.I. with Polished Stainless Steel Heavy-Duty Top (Add 3/16" to 'Y' Dim.)	2"	POA
		3"	POA
		4"	POA
		6"	POA
		8"	2,032.00
		8"	POA

OUTLET (SPECIFY PIPE SIZE IN INCHES AND TYPE OF OUTLET)				
TYPE	DESCRIPTION	PIPE SIZE/OUTLET TYPE	E BODY HT. DIM.	ADD
IC	Inside Caulk	2IC, 3IC, 4IC, 6IC	See Chart	N/C
NH	No-Hub	2NH, 3NH, 4NH, 6NH, 8NH	See Chart	N/C
NL	Neo-Loc	2NL, 3NL, 4NL, 6NL, 8NL	See Chart	N/C

SUFFIXES	ADD		
-AR	Acid Resisting Epoxy Coated Finish	437.00	
-BP	Bronze Plug	2", 3", 4"	243.00
		6", 8"	763.00
-CF	Carpet Flange Cover (ZB and ZN only)	356.00	
-CM	Carpet Marker	102.00	
-DC	Duresist Cover (Z and HD Only)	377.00	
-DX	Round ZB or ZN Top with Dex-O-Tex Flange (2" thru 4" sizes only)	586.00	
-G	Galvanized Cast Iron	278.00	
-HD	Extra Heavy-Duty Veneer Top - Add 1/8" to 'Y' Dim. (ZB and ZN only)	198.00	
-K	Anchor Flange	N/C	
-KC	Anchor Flange with Clamping Collar	135.00	
-PC	Protective Cover	81.00	
-SG	Solid Gasketed Cover	377.00	
-SM	Special Marking Stamped on Top	243.00	
-T	Square Top	N/C	
-TC	Neo-Loc Test Cap Gasket (2", 3", 4" NL Bottom Outlet Only)	32.00	
-TX	Square Top Recessed for 1/8" Tile (ZB and ZN only)	N/C	
-VP	Vandal-Proof Screws	91.00	
-X	Round Top Recessed for 1/8" Tile (ZB and ZN only)	N/C	
-Z	Round Top Recessed for 1-1/4" Terrazzo (ZB and ZN only)	437.00	

*Regularly furnished unless otherwise specified.

Items designated as Best Sellers are most specified and are generally in stock for shipment.

⌚ This symbol denotes a product that is engineered to reduce installation and rework time.

For additional product information, please visit www.zurn.com

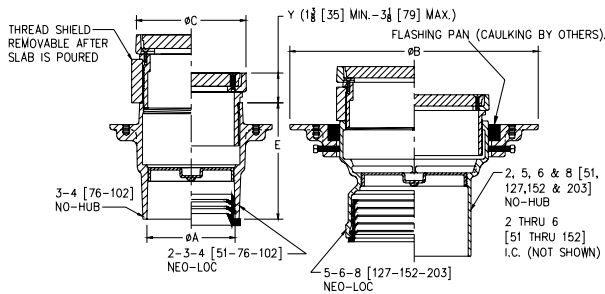
Z1400-K HEAVY-DUTY "LEVEL-TROL" ADJUSTABLE FLOOR CLEANOUT WITH ANCHOR FLANGE



ENGINEERING SPECIFICATION

Zurn Z1400-K level-trol adjustable floor cleanout features Dura-Coated cast iron body, anchor flange, gas and watertight ABS tapered thread plug, and round scoriated cast iron heavy-duty secured top (specify finish Z, ZB, ZN, ZS) adjustable to finished floor.

A Pipe Size/ Outlet Type	Dimensions in inches [mm]			Approximate Weight lb [kg]
	B	C	E Body Height Dimensions	
Inside Caulk (IC)				
2IC	9-1/2 [241]	6-1/8 [156]	6-7/8 [175]	18 [8]
3IC	9-1/2 [241]	6-1/8 [156]		19 [9]
4IC	11-1/2 [292]	7-1/4 [184]		20 [9]
6IC	12-1/4 [311]	9-1/4 [235]		39 [18]
No-Hub (NH)				
2NH	7-1/2 [191]	4-1/8 [105]	4-5/8 [117]	11 [5]
3NH	7-1/2 [191]	5-1/8 [130]	5-3/8 [137]	10 [5]
4NH	7-1/2 [191]	5-1/8 [130]	5-3/8 [137]	13 [6]
6NH	11-1/2 [292]	8-1/4 [210]	4-3/4 [121]	29 [13]
8NH	12-1/4 [311]	9-1/4 [235]	7-1/2 [191]	38 [17]
Neo-Loc (NL)				
2NL	7-1/2 [191]	5-1/8 [130]	5-3/8 [137]	12 [5]
3NL	7-1/2 [191]	5-1/8 [130]	5-3/8 [137]	13 [6]
4NL	7-1/2 [191]	5-1/8 [130]	5-3/8 [137]	14 [6]
6NL	11-1/2 [292]	8-1/4 [210]	5-7/8 [149]	29 [13]
8NL	12-1/4 [311]	9-1/4 [235]	6-1/2 [165]	32 [15]



Ⓢ Shown with -SA Stabilizer Option

PREFIXES	DESCRIPTION	A PIPE SIZE	LIST PRICE	
Z1400-K*	Dura-Coated Cast Iron	2"	634.00	
		3"	723.00	
		4"	863.00	
		6"	1,500.00	
		8"	1,778.00	
ZB1400-K	D.C.C.I. with Polished Bronze Light-Duty Top (Deduct 1/2" from 'Y' Dim.)	2"	698.00	
		3"	750.00	
		4"	1,018.00	
		6"	1,709.00	
		8"	1,976.00	
ZN1400-K	D.C.C.I. with Polished Nickel Bronze Light-Duty Top (Deduct 1/2" from 'Y' Dim.)	2"	777.00	
		3"	819.00	
		4"	1,096.00	
		6"	1,778.00	
		8"	2,032.00	
ZS1400-K	D.C.C.I. with Polished Stainless Steel Heavy-Duty Top (Add 3/16" to 'Y' Dim.)	2"	POA	
		3"	POA	
		4"	POA	
		6"	POA	
		8"	POA	
OUTLET (SPECIFY PIPE SIZE IN INCHES AND TYPE OF OUTLET)				
TYPE	DESCRIPTION	PIPE SIZE/OUTLET TYPE	E BODY HT. DIM.	ADD
IC	Inside Caulk	2IC, 3IC, 4IC, 6IC	See Chart	N/C
NH	No-Hub	2NH, 3NH, 4NH, 6NH, 8NH	See Chart	N/C
NL	Neo-Loc	2NL, 3NL, 4NL, 6NL, 8NL	See Chart	N/C
SUFFIXES				
	DESCRIPTION			ADD
-AR	Acid Resisting Epoxy Coated Finish			437.00
-BP	Bronze Plug	2", 3", 4"		243.00
		6", 8"		763.00
-C	Clamp Collar			135.00
-CF	Carpet Flange Cover (ZB and ZN only)			356.00
-CM	Carpet Marker			102.00
-DC	Duresist Cover			377.00
-DX	Round ZB or ZN Top with Dex-O-Tex Flange (2" thru 4" sizes only)			586.00
-G	Galvanized Cast Iron			278.00
-HD	Heavy-Duty Veneer Top - Add 1/8" to 'Y' Dim. (ZB and ZN only)			198.00
Ⓢ -SA	Stabilizer Assembly (See Z1035)			N/C
-SG	Solid Gasketed Cover			377.00
-SM	Special Marking Stamped on Top			243.00
-T	Square Top			N/C
Ⓢ -TC	Neo-Loc Test Cap Gasket (2"-4" NL Bottom Outlet Only)			32.00
-TX	Square Top Recessed for 1/8" Tile (ZB and ZN only)			N/C
-VP	Vandal-Proof Screws			91.00
-X	Round Top Recessed for 1/8" Tile (ZB and ZN only)			N/C
-Z	Round Top Recessed for 1-1/4" Terrazzo (ZB and ZN only)			437.00
BEST SELLERS			LIST PRICE	
ZN1400-K-4NH			1,096.00	
ZN1400-K-4NL-BP			1,339.00	
ZN1400-K-6NH			1,778.00	

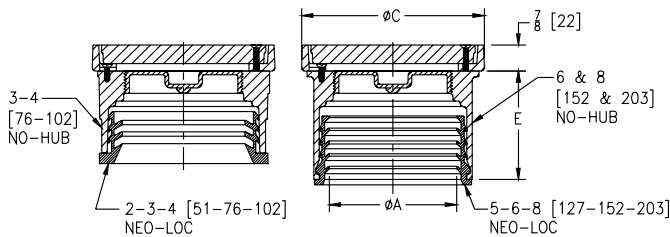
Z1402 HEAVY-DUTY NON-ADJUSTABLE FLOOR CLEANOUT



ENGINEERING SPECIFICATION

Zurn Z1402 tuf-top non-adjustable floor cleanout features Dura-Coated cast iron body, gas and watertight ABS tapered thread plug, and round scoriated cast iron heavy-duty secured cover and frame.

A Pipe Size/ Outlet Type	Dimensions in inches [mm]		Approximate Weight lb [kg]
	C	E Body Height Dimensions	
Neo-Loc (NL)			
2NL	4-1/8 [105]	2-3/4 [70]	5 [2]
3NL	5-1/8 [130]		8 [4]
4NL	6-1/8 [156]		10 [5]
5NL	7-1/4 [184]	3-5/8 [92]	15 [7]
6NL	8-1/4 [210]		17 [8]
8NL	9-1/4 [235]		22 [10]
No-Hub (NH)			
3NH	4-1/8 [105]	2-3/4 [70]	5 [2]
4NH	5-1/8 [130]		8 [4]
6NH	7-1/4 [184]	3-5/8 [92]	15 [7]
8NH	9-1/4 [235]		22 [10]



PREFIXES	DESCRIPTION	A PIPE SIZE	LIST PRICE
Z1402*	Dura-Coated Cast Iron	2"	426.00
		3"	565.00
		4"	565.00
		5"	777.00
		6"	777.00
		8"	1,525.00
ZB1402	D.C.C.I. with Polished Bronze Light-Duty Top (Deduct 1/2" from 7/8" Dim.)	2"	518.00
		3"	723.00
		4"	723.00
		5"	949.00
		6"	949.00
		8"	1,710.00
ZN1402	D.C.C.I. with Polished Nickel Bronze Light-Duty Top (Deduct 1/2" from 7/8" Dim.)	2"	538.00
		3"	801.00
		4"	801.00
		5"	1,014.00
		6"	1,014.00
		8"	1,785.00
ZS1402	D.C.C.I. with Polished Stainless Steel Heavy-Duty Top (Add 3/16" to 7/8" Dim.)	2"	POA
		3"	POA
		4"	POA
		5"	POA
		6"	POA
		8"	POA

OUTLET (SPECIFY PIPE SIZE IN INCHES AND TYPE OF OUTLET)

TYPE	DESCRIPTION	PIPE SIZE/OUTLET TYPE	E BODY HT. DIM.	ADD
NH	No-Hub	3NH, 4NH, 6NH, 8NH	See Chart	N/C
NL	Neo-Loc	2NL, 3NL, 4NL, 5NL, 6NL, 8NL	See Chart	N/C

SUFFIXES

SUFFIXES	DESCRIPTION	A PIPE SIZE	ADD
-BP	Bronze Plug	2", 3", 4", 5"	243.00
		6", 8"	763.00
-CM	Carpet Marker		102.00
-DX	Round ZB or ZN Top with Dex-O-Tex Flange (2", 3", 4", 5" sizes only)		586.00
-G	Galvanized Cast Iron		198.00
-HD	Heavy-Duty Veneer Top - Add 1/8" to 7/8" Dim. (ZB and ZN only)		198.00
-T	Square Top		N/C
Ⓢ -TC	Neo-Loc Test Cap Gasket (2", 3", 4" NL Bottom Outlet Only)		32.00
-VP	Vandal-Proof Screws		91.00

BEST SELLERS

ITEM	LIST PRICE
Z1402-4NL	565.00
ZN1402-4NL-HD	999.00
Z1402-6NL	777.00
ZN1402-6NH-BP	1,777.00
ZN1402-6NL	1,014.00
Z1402-8NH	1,525.00

*Regularly furnished unless otherwise specified.

Items designated as Best Sellers are most specified and are generally in stock for shipment.

Ⓢ This symbol denotes a product that is engineered to reduce installation and rework time.

For additional product information, please visit www.zurn.com

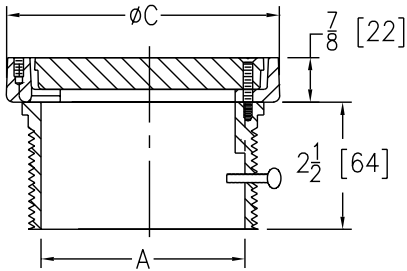
Z1404 HEAVY-DUTY FLOOR ACCESS HOUSING



ENGINEERING SPECIFICATION

Zurn Z1404 floor access housing features Dura-Coated cast iron with round frame and scoriated cast iron heavy-duty secured cover complete with adjusting setscrews.

A Pipe Size/Outlet Type	C inches [mm]	Approximate Weight lb [kg]
Slip Joint (SJ)		
3SJ	6-1/8 [156]	3 [1]
4SJ	7-1/4 [184]	4 [2]
6SJ	9-1/4 [235]	8 [4]



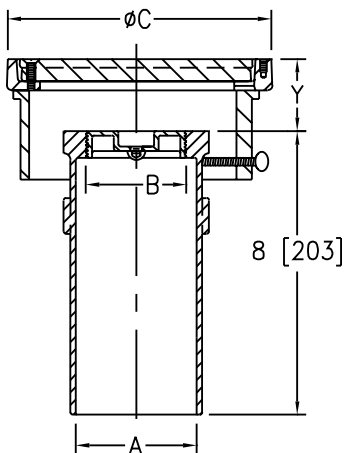
Z1406 HEAVY-DUTY ADJUSTABLE SPIGOT CLEANOUT



ENGINEERING SPECIFICATION

Zurn Z1406 adjustable floor cleanout uses spigot connection for caulking into hub. Features Dura-Coated cast iron body, gas and watertight ABS plug, and cast iron housing with round scoriated secured cast iron heavy-duty cover adjustable to finished floor.

A Pipe Size/Outlet Type	B N.P.T.	Dimensions in inches [mm]			Approximate Weight lb [kg]
		C	Y		
Spigot (SP)					
3SP	2	6-1/8 [156]	7/8 [22]	2 [51]	11 [5]
4SP	3-1/2	7-1/4 [184]			15 [7]
6SP	3-1/2	9-1/4 [235]			23 [10]



PREFIXES	DESCRIPTION	A PIPE SIZE	LIST PRICE
Z1404*	Dura-Coated Cast Iron	3", 4"	552.00
		6"	730.00
ZN1404	D.C.C.I. with Polished Nickel Bronze Light-Duty Top (Deduct 1/2" from 7/8" Dim.)	3", 4"	765.00
		6"	974.00
ZS1404	D.C.C.I. with Polished Stainless Steel Heavy-Duty Top (Add 3/16" to 7/8" Dim.)	3", 4"	POA
		6"	POA

OUTLET (SPECIFY PIPE SIZE IN INCHES AND TYPE OF OUTLET)			
TYPE	DESCRIPTION	PIPE SIZE/OUTLET TYPE	ADD
SJ	Slip Joint	3SJ, 4SJ, 6SJ	N/C

SUFFIXES			
-HD	Heavy-Duty Veneer Top (Add 1/8" to 2-1/2" Dim. for ZN only)		198.00

-VP	Vandal-Proof Screws		123.00
------------	---------------------	--	--------

BEST SELLERS		LIST PRICE
Z1404-4		552.00
ZN1404-4		765.00
Z1404-6		730.00
ZN1404-6		974.00

PREFIXES	DESCRIPTION	A PIPE SIZE	LIST PRICE
Z1406*	Dura-Coated Cast Iron	3"	642.00
		4"	784.00
		6"	1,494.00
ZN1406	D.C.C.I. with Polished Nickel Bronze Light-Duty Top (Deduct 1/2" from 'Y' Dim.)	3"	1,004.00
		4"	1,159.00
		6"	2,304.00
ZS1406	D.C.C.I. with Polished Stainless Steel Heavy-Duty Top (Add 3/16" to 'Y' Dim.)	3"	POA
		4"	POA
		6"	POA

OUTLET (SPECIFY PIPE SIZE IN INCHES AND TYPE OF OUTLET)			
TYPE	DESCRIPTION	PIPE SIZE/OUTLET TYPE	ADD
SP	Spigot	3SP, 4SP, 6SP	N/C

SUFFIXES			
-AR	Acid Resisting Epoxy Coated Finish		437.00

-BP	Bronze Plug	3", 4"	243.00
		6"	763.00

-CF	Carpet Flange (ZN only)		356.00
------------	-------------------------	--	--------

-CM	Carpet Marker		102.00
------------	---------------	--	--------

-DC	Duresist Cover		377.00
------------	----------------	--	--------

-DX	Round Top with Dex-O-Tex Flange (2" thru 4" sizes only)		586.00
------------	---	--	--------

-G	Galvanized Cast Iron		278.00
-----------	----------------------	--	--------

-HD	Heavy-Duty Veneer Top (Add 1/8" to 'Y' Dim. for ZN only)		198.00
------------	--	--	--------

-SG	Solid Gasketed Cover		377.00
------------	----------------------	--	--------

-SM	Special Marking Stamped on Top		243.00
------------	--------------------------------	--	--------

-T	Square Top		N/C
-----------	------------	--	-----

-TX	Square Top Recessed for 1/8" Tile (ZN only)		N/C
------------	---	--	-----

-VP	Vandal-Proof Screws		91.00
------------	---------------------	--	-------

-X	Round Top Recessed for 1/8" Tile (ZN only)		N/C
-----------	--	--	-----

BEST SELLER		LIST PRICE
ZN1406-4		1,159.00

For additional product information, please visit www.zurn.com

*Regularly furnished unless otherwise specified.

Items designated as Best Sellers are most specified and are generally in stock for shipment.

Ⓢ This symbol denotes a product that is engineered to reduce installation and rework time.

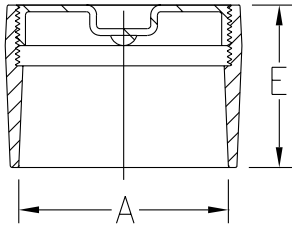
Z1440 CLEANOUT FERRULE WITH PLUG



ENGINEERING SPECIFICATION

Zurn Z1440 cleanout features Dura-Coated cast iron body with gas and watertight ABS tapered thread plug.

A Pipe Size/Outlet Type	E Body Height Dimensions inches [mm]	Approximate Weight lb [kg]
No-Hub (NH)		
2NH	2-1/2 [64]	2 [1]
3NH	2-3/4 [70]	4 [2]
4NH	3 [76]	5 [2]
6NH	3 [76]	8 [4]
8NH	3-1/2 [89]	13 [6]



PREFIXES	DESCRIPTION	A PIPE SIZE	LIST PRICE
Z1440*	D.C.C.I. and ABS Plug	2"	131.00
		3"	198.00
		4"	272.00
		6"	552.00
		8"	1,025.00

OUTLET (SPECIFY PIPE SIZE IN INCHES AND TYPE OF OUTLET)				
TYPE	DESCRIPTION	PIPE SIZE/OUTLET TYPE	E BODY HT. DIM.	ADD
NH	No-Hub	2NH, 3NH, 4NH, 6NH, 8NH	See Chart	N/C
SUFFIXES				
ADD				
-BP	Bronze Plug		2", 3", 4" 6", 8"	243.00 763.00
-G	Galvanized Cast Iron			198.00

BEST SELLERS		LIST PRICE
Z1440-4NH		272.00
Z1440-4NH-BP		515.00
Z1440-6NH-BP		1,315.00

*Regularly furnished unless otherwise specified.

Items designated as Best Sellers are most specified and are generally in stock for shipment.

🕒 This symbol denotes a product that is engineered to reduce installation and rework time.

For additional product information, please visit www.zurn.com

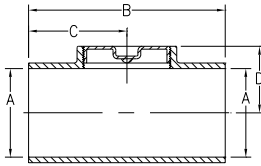
Z1445 CLEANOUT TEE



ENGINEERING SPECIFICATION

Zurn Z1445 cleanout tee features Dura-Coated cast iron body with gas and watertight ABS tapered thread plug.

A Pipe Size/ Outlet Type	Dimensions in inches [mm]			Approximate Weight lb [kg]
	B	C	D	
No Hub (NH)				
2NH	6-3/8 [162]	3-3/16 [81]	1-3/4 [44]	8 [4]
3NH	7-3/4 [197]	3-7/8 [98]	2-1/2 [64]	15 [7]
4NH	8-7/8 [225]	4-7/16 [113]	3 [76]	16 [7]
6NH	12-1/2 [317]	6-1/4 [159]	4-5/16 [109]	35 [16]
8NH	17 [432]	8-1/2 [216]	6-3/8 [162]	49 [22]



PREFIXES	DESCRIPTION	A PIPE SIZE	LIST PRICE
Z1445*	Dura-Coated Cast Iron	2"	301.00
		3"	375.00
		4"	581.00
		6"	1,644.00
		8"	2,042.00

OUTLET (SPECIFY PIPE SIZE IN INCHES AND TYPE OF OUTLET)				
TYPE	DESCRIPTION	PIPE SIZE/OUTLET TYPE	E BODY HT. DIM.	ADD
NH	No-Hub	2NH, 3NH, 4NH, 6NH, 8NH	See Chart	N/C
SUFFIXES				
ADD				
-BP	Bronze Plug	2", 3", 4"		243.00
		6", 8"		763.00
-G	Galvanized Cast Iron			278.00

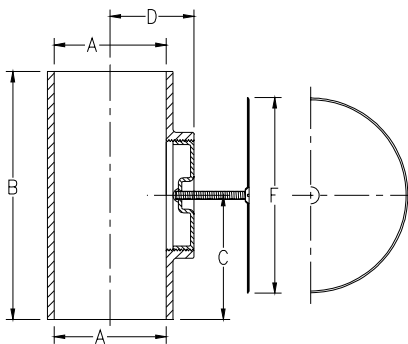
Z1446 CLEANOUT WITH ROUND WALL ACCESS COVER



ENGINEERING SPECIFICATION

ZURN Z1446 Cleanout Tee, Dura-Coated cast iron body, gas and watertight ABS tapered thread plug, and round, smooth stainless steel wall access cover with securing screw.

A Pipe Size/ Outlet Type	Dimensions in Inches [mm]					App. Wt. Lbs. [Kg]
	B	C	D	F	G	
No Hub (NH)						
2NH	6-3/8 [162]	3-3/16 [81]	1-3/4 [44]	7 [178]	6 [152]	11 [5]
3NH	7-3/4 [197]	3-7/8 [98]	2-1/2 [64]			18 [8]
4NH	8-7/8 [225]	4-7/16 [113]	3 [76]	9 [229]	8 [203]	20 [9]
6NH	12-1/2 [317]	6-1/4 [159]	4-5/16 [109]			31 [14]



PREFIXES	DESCRIPTION	A PIPE SIZE	LIST PRICE		
Z1446*	D.C.C.I. with Polished Stainless Steel Cover	2"	480.00		
		3"	548.00		
		4"	807.00		
		5"	1,305.00		
		6"	2,042.00		
		8"	2,448.00		
		ZB1446	D.C.C.I. with Polished Bronze Cover	2"	425.00
				3"	494.00
4"	747.00				
5"	1,255.00				
6"	1,990.00				
8"	2,398.00				

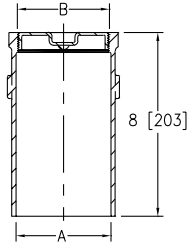
OUTLET (SPECIFY PIPE SIZE IN INCHES AND TYPE OF OUTLET)				
TYPE	DESCRIPTION	PIPE SIZE/OUTLET TYPE	E BODY HT. DIM.	ADD
NH	No-Hub	2NH, 3NH, 4NH, 6NH, 8NH	See Chart	N/C
SUFFIXES				
A PIPE SIZE				
ADD				
-BP	Bronze Plug	2", 3", 4", 5"		243.00
		6", 8"		763.00
-G	Galvanized Cast Iron			279.00
-SL	Screws Longer Than 3-1/2" (Per Inch)			27.00
-VP	Vandal-Proof Screw			91.00

Z1449 CLEANOUT FERRULE WITH PLUG



ENGINEERING SPECIFICATION

Zurn Z1449 cleanout ferrule features Dura-Coated cast iron body with gas and watertight ABS countersunk plug.



A Pipe Size/Outlet Type	B N.P.T.	Approximate Weight lb [kg]
Spigot (SP)		
3SP	2	6 [3]
4SP	3-1/2	8 [4]
6SP	3-1/2	13 [6]

PREFIXES	DESCRIPTION	A PIPE SIZE	LIST PRICE
Z1449*	Dura-Coated Cast Iron with ABS Plug	3"	309.00
		4"	323.00
		6"	831.00

OUTLET (SPECIFY PIPE SIZE IN INCHES AND TYPE OF OUTLET)				
TYPE	DESCRIPTION	PIPE SIZE/OUTLET TYPE	E BODY HT. DIM.	ADD
SP	Spigot	3SP, 4SP, 6SP	See Chart	N/C
SUFFIXES				
ADD				
-A	Raised Head Plug			N/C
-BP	Bronze Plug	3", 4"		243.00
		6"		763.00
-G	Galvanized Cast Iron			198.00
BEST SELLER				LIST PRICE
Z1449-4SP				323.00

Z1454 ADJUSTABLE FLOOR CLEANOUT WITH FLASHING FLANGE



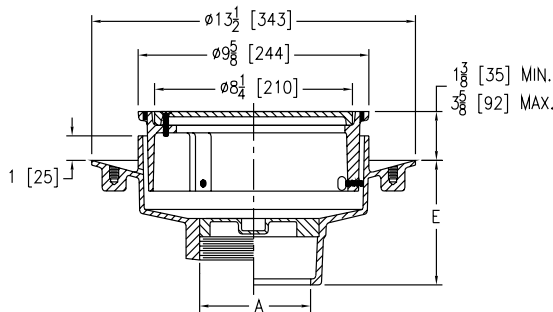
ENGINEERING SPECIFICATION

Zurn Z1454 adjustable floor cleanout features Dura-Coated cast iron body, gas and watertight ABS tapered thread plug, and round scoriated Dura-Coated cast iron adjustable with secured cover top complete with membrane flashing flange.

A Pipe Size/Outlet Type	Approximate Weight lb [kg]
Inside Caulk (IC)	
2IC, 3IC	33 [15]
4IC	34 [15]
Threaded (IP)	
2IP, 3IP	33 [15]
4IP	34 [15]

PREFIXES	DESCRIPTION	A PIPE SIZE	LIST PRICE
Z1454*	Dura-Coated Cast Iron	2", 3"	1,593.00
		4"	1,644.00
ZN1454	D.C.C.I. with Polished Nickel Bronze Top (Add 3/16" to 1-3/8" min. - 3-5/8" max. dim.)	2", 3"	2,119.00
		4"	2,173.00

OUTLET (SPECIFY PIPE SIZE IN INCHES AND TYPE OF OUTLET)				
TYPE	DESCRIPTION	PIPE SIZE/OUTLET TYPE	E BODY HT. DIM.	ADD
IC	Inside Caulk	2IC, 3IC, 4IC	5-1/4"	N/C
IP	Threaded	2IP, 3IP, 4IP	4-1/4"	N/C
SUFFIXES				
ADD				
-C	Clamp Collar			N/C
-G	Galvanized Cast Iron			553.00
-VP	Vandal-Proof Secured Top			187.00
BEST SELLER				LIST PRICE
Z1454-4IP				1,644.00



*Regularly furnished unless otherwise specified.

Items designated as Best Sellers are most specified and are generally in stock for shipment.

🕒 This symbol denotes a product that is engineered to reduce installation and rework time.

For additional product information, please visit www.zurn.com

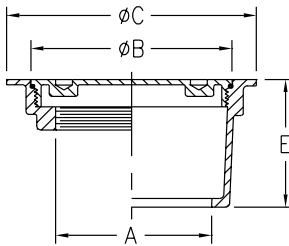
Z1456 DECK CLEANOUT



ENGINEERING SPECIFICATION

Zurn ZANB1456 deck cleanout features nickel bronze body with scoriated deck plug and O-ring seal.

A Pipe Size/ Outlet Type	Dimensions in inches [mm]		Approximate Weight lb [kg]
	B	C	
Inside Caulk (IC)			
3IC	5 [127]	6 [152]	4 [2]
4IC	6 [152]	7-3/8 [187]	6 [3]
6IC	8 [203]	9-3/8 [238]	12 [5]
Threaded (IP)			
3IP	3-1/2 [89]	4-7/8 [124]	4 [2]
4IP	4-1/2 [114]	6 [152]	6 [3]
6IP	7-7/8 [200]	9-3/8 [238]	12 [5]
8IP	9-7/8 [251]	11 [279]	16 [7]



PREFIXES	DESCRIPTION	A PIPE SIZE	LIST PRICE
ZANB1456*	Nickel Bronze with Polished Scoriated Top	3"	890.00
		4"	992.00
		6"	1,701.00
		8"	3,315.00

OUTLET (SPECIFY PIPE SIZE IN INCHES AND TYPE OF OUTLET.)				
TYPE	DESCRIPTION	PIPE SIZE/OUTLET TYPE	E BODY HT. DIM.	ADD
IC	Inside Caulk	3IC, 4IC	3-1/4"	N/C
		6IC	3-1/2"	N/C
		8IP	2"	N/C
IP	Threaded	3IP, 4IP	1-1/2"	N/C
		6IP	1-5/8"	N/C
		8IP	2"	N/C
SUFFIXES				ADD
-SW	Extra Spanner Wrench			187.00
BEST SELLER				LIST PRICE
ZANB1456-4IC				992.00

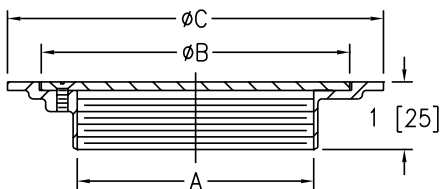
Z1457 FLOOR ACCESS COVER



ENGINEERING SPECIFICATION

Zurn ZANB1457 floor access cover features nickel bronze body with round, scoriated secured cover.

A Pipe Size/ Outlet Type	Dimensions in inches [mm]		Approximate Weight lb [kg]
	B	C	
Threaded (IP)			
2IP	4-1/2 [114]	5-1/2 [140]	4 [2]
3IP	4-1/2 [114]	5-1/2 [140]	4 [2]
4IP	5-3/4 [146]	6-3/4 [171]	5 [2]
5IP	7 [178]	8 [203]	6 [3]
6IP	8-1/4 [210]	9-1/2 [241]	8 [4]
8IP	10-1/4 [260]	11-1/2 [292]	12 [5]



PREFIXES	DESCRIPTION	A PIPE SIZE	LIST PRICE	
ZANB1457*	Nickel Bronze with Polished Scoriated Cover	2"	599.00	
		3"	1,584.00	
		4"	1,793.00	
		5"	2,341.00	
		6"	1,379.00	
		8"	3,745.00	
ZAB1457	Bronze with Polished Scoriated Cover	2"	542.00	
		3"	737.00	
		4"	1,584.00	
		5"	1,115.00	
		6"	1,231.00	
		8"	1,777.00	
OUTLET (SPECIFY PIPE SIZE IN INCHES AND TYPE OF OUTLET.)				
TYPE	DESCRIPTION	PIPE SIZE/OUTLET TYPE	E BODY HT. DIM.	ADD
IP	Threaded	2IP, 3IP, 4IP, 5IP, 6IP, 8IP	See Chart	N/C
SUFFIXES				ADD
-VP	Vandal-Proof Screws			91.00

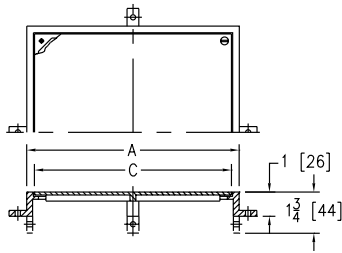
Z1460 SQUARE WALL ACCESS PANEL



ENGINEERING SPECIFICATION

Zurn ZANB1460 square wall access panel and frame features smooth, stainless steel panel secured to nickel bronze frame, set flush to finished wall plane, and securing lugs.

Product Designation	Dimensions in inches [mm]		Approximate Weight lb [kg]
	A Frame Size	C Opening Size	
-7	7 x 7 [178]	6 x 6 [152]	3 [1]
-9	9 x 9 [229]	8 x 8 [203]	5 [2]
-10	10 x 10 [254]	9 x 9 [229]	7 [3]
-11	11 x 11 [279]	10 x 10 [254]	10 [5]



PREFIXES	DESCRIPTION	PRODUCT DESIG.	A FRAME SIZE	LIST PRICE
ZANB1460*	Nickel Bronze with Polished Scoriated Cover	-7	7" x 7"	793.00
		-9	9" x 9"	1,161.00
		-10	10" x 10"	1,255.00
		-11	11" x 11"	1,354.00
ZAB1460	Bronze with Polished Scoriated Cover	-7	7" x 7"	691.00
		-9	9" x 9"	1,017.00
		-10	10" x 10"	1,085.00
		-11	11" x 11"	1,211.00
SUFFIXES				ADD
-SC	Scoriated Cover			N/C
-VP	Vandal-Proof Screws			91.00
BEST SELLERS				LIST PRICE
ZANB1460-10-SC				1,255.00
ZANB1460-11				1,354.00
ZANB1460-7				793.00

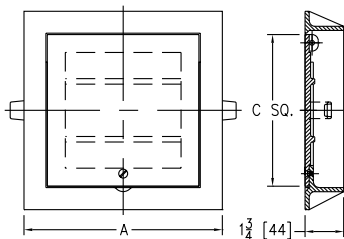
Z1461 SQUARE HINGED ACCESS PANEL



ENGINEERING SPECIFICATION

Zurn Z1461 square hinged access panel features Dura-Coated cast iron, secured access panel, and frame with anchor lugs. Set flush with wall or floor for light-duty applications.

Product Designation	Dimensions in inches [mm]		Approximate Weight lb [kg]
	A Frame Size	C	
-12	12 x 12 [305]	10 [254]	11 [5]



PREFIXES	DESCRIPTION	PRODUCT DESIG.	A FRAME SIZE	LIST PRICE
Z1461*	Dura-Coated Cast Iron with Scoriated Cover	-12	12" x 12"	992.00
ZAB1461	Bronze with Polished Scoriated Cover	-12	12" x 12"	1,644.00
ZANB1461	Nickel Bronze with Polished Scoriated Cover	-12	12" x 12"	1,808.00
SUFFIXES				ADD
-VP	Vandal-Proof Screws			91.00

*Regularly furnished unless otherwise specified.

Items designated as Best Sellers are most specified and are generally in stock for shipment.

🕒 This symbol denotes a product that is engineered to reduce installation and rework time.

For additional product information, please visit www.zurn.com

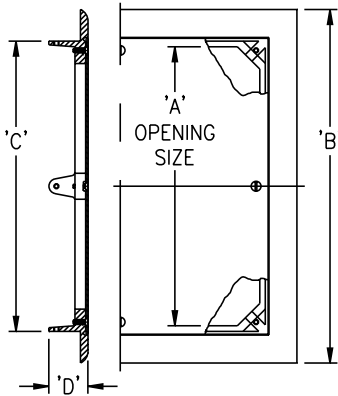
Z1462 SECURED WALL ACCESS PANEL



ENGINEERING SPECIFICATION

Zurn ZANB1462 secured wall access panel features square, smooth nickel bronze panel, frame with beveled edge, and anchor lugs for over wall installation.

Product Designation	Dimensions in inches [mm]				Approximate Weight lb [kg]
	A Square	B Square	C Square	D	
-6	5-15/16 [151]	7-1/2 [191]	6-1/2 [165]	1-1/4 [32]	3 [1]
-8	7-1/4 [184]	9-3/4 [248]	7-5/8 [194]	1-5/16 [33]	5 [2]
-10	9-3/8 [238]	11-7/8 [302]	9-3/4 [248]	1-5/16 [33]	7 [3]
-12	11-3/8 [289]	13-7/8 [352]	11-3/4 [298]	1-5/16 [33]	11 [5]



PREFIXES	DESCRIPTION	PRODUCT DESIG.	LIST PRICE
ZANB1462*	Nickel Bronze with Polished Cover	-6	793.00
		-8	1,159.00
		-10	1,255.00
		-12	1,354.00

SUFFIXES	ADD	
-VP	Vandal-Proof Screws	91.00

BEST SELLER	LIST PRICE
ZANB1462-8	1,159.00

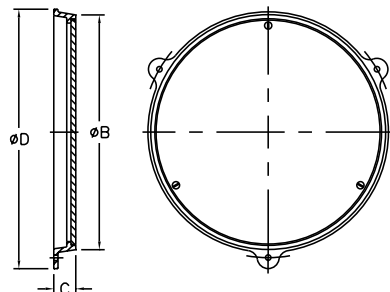
Z1463 ROUND SCORIATED ACCESS COVER



ENGINEERING SPECIFICATION

Zurn ZANB1463 features access panel and frame, round, scoriated, nickel bronze panel secured to frame, set flush to finished wall plane or floor, and anchor lugs.

Product Designation	Dimensions in inches [mm]				Approximate Weight lb [kg]
	Nominal Pipe Size	B	C	D	
-7	2 [51], 3 [76], 4 [102]	6-5/8 [168]	3/4 [19]	7-1/2 [191]	6 [3]
-11	5 [127], 6 [152], 8 [203]	10-3/4 [273]	1 [25]	11-7/8 [302]	12 [5]



PREFIXES	DESCRIPTION	A PIPE SIZE	LIST PRICE
ZANB1463*	Nickel Bronze with Polished Scoriated Cover	2", 3", 4"	462.00
		5", 6", 8"	1,159.00
ZAB1463	Bronze with Polished Scoriated Cover	2", 3", 4"	425.00
		5", 6", 8"	1,017.00

SUFFIXES	ADD	
-VP	Vandal-Proof Screws	91.00

BEST SELLERS	LIST PRICE
ZANB1463-11	1,159.00
ZANB1463-7	462.00

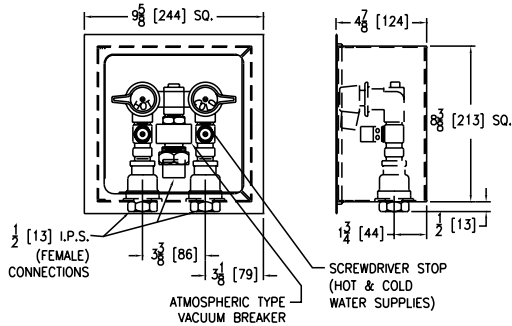
Z1464 WATER SUPPLY CONTROL BOX ASSEMBLY



ENGINEERING SPECIFICATION

Zurn ZS1464 water supply control box assembly features 18-8 Type 304 stainless steel, cylinder lock and hinged cover, bronze control valves, screwdriver stops, and atmospheric type vacuum breaker.

A Opening Size inches [mm]	Approximate Weight lb [kg]
8-1/2 [216] x 8-1/2 [216]	17 [8]



PREFIXES	DESCRIPTION	A OPENING SIZE	LIST PRICE
ZS1464*	Type 304 Stainless Steel	8-1/2" x 8-1/2"	6,983.00
SUFFIXES		DEDUCT	
-LM	Less Internal Mixing Valve Assembly		-1,953.00
BEST SELLER		LIST PRICE	
ZS1464			6,983.00

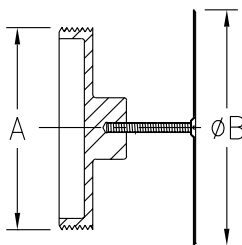
Z1468 ACCESS COVER AND PLUG



ENGINEERING SPECIFICATION

Zurn ZS1468 round stainless steel wall access cover comes complete with securing screw and bronze raised hex head plug.

Product Designation	Dimensions in inches [mm]		Approximate Weight lb [kg]
	A Pipe Size	C	
-1.25	1-1/4 [32]	4 [102]	4 [2]
-1.5	1-1/2 [38]		
-2	2 [51]		
-2.5	2-1/2 [64]	5 [127]	5 [2]
-3	3 [76]		
-3.5	3-1/2 [89]		
-4	4 [102]	7 [178]	8 [4]
-5	5 [127]		
-6	6 [152]		
-8	8 [203]	11 [279]	25 [11]



PREFIXES	DESCRIPTION	A PIPE SIZE	LIST PRICE
ZS1468*	Bronze with Stainless Steel Cover	1-1/4", 1-1/2"	239.00
		2"	256.00
		2-1/2"	272.00
		3"	309.00
		3-1/2"	386.00
		4"	403.00
		5"	570.00
		6"	867.00
		8"	1,567.00
ZAB1468	Bronze Plug with Polished Bronze Cover	1-1/4", 1-1/2"	184.00
		2"	198.00
		2-1/2"	219.00
		3"	256.00
		3-1/2"	339.00
		4"	351.00
		5"	507.00
		6"	811.00
		8"	1,514.00
SUFFIXES		ADD	
-SL	Screws Longer Than 3-1/2" (Per Inch)		27.00
-VP	Vandal-Proof Screw		91.00
BEST SELLERS		LIST PRICE	
ZS1468-2			256.00
ZS1468-3			309.00
ZS1468-4			403.00
ZS1468-4-VP			494.00

*Regularly furnished unless otherwise specified.

Items designated as Best Sellers are most specified and are generally in stock for shipment.

⌚ This symbol denotes a product that is engineered to reduce installation and rework time.

For additional product information, please visit www.zurn.com

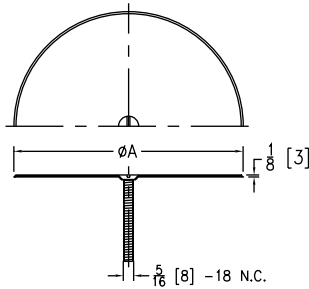
Z1469 ROUND ACCESS COVER



ENGINEERING SPECIFICATION

Zurn ZS1469 round stainless steel access cover comes complete with securing screw.

Product Designation	Dimensions in inches [mm]		Approximate Weight lb [kg]
	A Cover Diameter	Nominal Pipe Size	
-4	4 [102]	2 [51], 3 [76], 3-1/2 [89]	1 [0.5]
-5	5 [127]	2 [51], 3 [76], 3-1/2 [89]	1 [0.5]
-7	7 [178]	4 [102], 5 [127]	2 [1]
-9	9 [229]	6 [152]	3 [1]
-11	11 [279]	8 [203]	4 [2]



PREFIXES	DESCRIPTION	A PIPE SIZE	LIST PRICE
ZS1469*	Type 304 Stainless Steel Polished Cover	2", 3", 3-1/2"	184.00
		4", 5"	226.00
		6"	403.00
		8"	626.00

ZAB1469	Bronze Polished Cover	2", 3", 3-1/2"	131.00
		4", 5"	171.00
		6"	351.00
		8"	573.00

SUFFIXES	ADD	
-SL	Screws Longer Than 3-1/2" (Per Inch)	27.00
-VP	Vandal-Proof Screw	91.00

BEST SELLERS	LIST PRICE
ZS1469-4	184.00
ZS1469-5	184.00
ZS1469-7	226.00
ZS1469-9	403.00
ZS1469-11	626.00

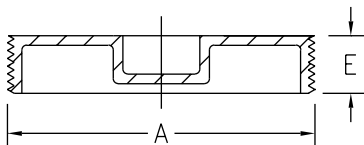
Z1470 BRONZE CLEANOUT PLUG



ENGINEERING SPECIFICATION

Zurn ZARB1470 bronze cleanout plug is a countersunk, ABS tapered thread plug.

Product Designation	Dimensions in inches [mm]		Approximate Weight lb [kg]
	A Pipe Size	E Body Height Dimensions	
-1.25	1-1/4 [32]	9/16 [14]	.5 [0.23]
-1.5	1-1/2 [38]	5/8 [16]	.5 [0.23]
-2	2 [51]	1/2 [13]	.75 [0.34]
-2.5	2-1/2 [64]	3/4 [19]	.75 [0.34]
-3	3 [76]	3/4 [19]	1 [0.5]
-3.5	3-1/2 [89]	3/4 [19]	1 [0.5]
-4	4 [102]	3/4 [19]	1.5 [0.6]
-5	5 [127]	3/4 [19]	1.5 [0.6]
-6	6 [152]	3/4 [19]	3 [1]
-8	8 [203]	3/4 [19]	7 [3]



PREFIXES	DESCRIPTION	A PIPE SIZE	LIST PRICE
ZARB1470*	Plain Bronze	1-1/4", 1-1/2"	63.00
		2"	141.00
		2-1/2"	179.00
		3"	245.00
		3-1/2"	208.00
		4"	226.00
		5"	653.00
6"	874.00		
8"	1,793.00		

SUFFIXES	ADD	
-A	Raised Head	N/C
-PW	Plug Wrench	107.00

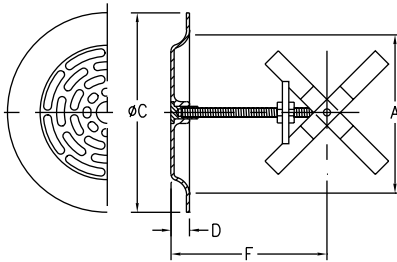
Z1471 AIR INLET



ENGINEERING SPECIFICATION

Zurn ZANB1471 fresh air inlet features round nickel bronze, crowned and perforated, complete with 4-point contact locking device.

Product Designation	Dimensions in inches [mm]				Open Area sq in [cm ²]	Approximate Weight lb [kg]
	A Pipe Size	C	D	F		
-3	3 [76]	8 [203]	3/4 [19]	6-1/4 [159]	9 [58]	3 [1]
-4	4 [102]					
-5	5 [127]	12 [305]	3/4 [19]	6-1/4 [159]	28 [181]	7 [3]
-6	6 [152]					
-8	8 [203]	15 [381]	3/4 [19]	6-1/4 [159]	55 [355]	9 [4]
-10	10 [254]					



PREFIXES	DESCRIPTION	PRODUCT DESIGNATION	A PIPE SIZE	LIST PRICE
ZANB1471*	Nickel Bronze with Polished Cover	-3	3"	758.00
		-4	4"	758.00
		-5	5"	1,281.00
		-6	6"	1,281.00
		-8	8"	2,042.00
		-10	10"	2,042.00
ZAB1471	Bronze with Polished Cover	-3	3"	642.00
		-4	4"	642.00
		-5	5"	1,006.00
		-6	6"	1,006.00
		-8	8"	1,557.00
		-10	10"	1,557.00
SUFFIXES				ADD
-CP	Chrome Plated			406.00

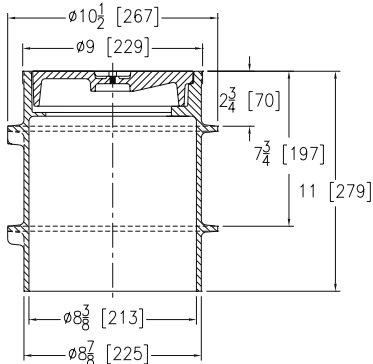
Z1474 HEAVY-DUTY CLEANOUT HOUSING



ENGINEERING SPECIFICATION

Zurn Z1474 heavy-duty cleanout housing features Dura-Coated cast iron body, integral anchor flange, and secured scoriated cover with lifting device.

A Pipe Size inches [mm]	Approximate Weight lb [kg]
8-3/8 [213]	40 [18]



PREFIXES	DESCRIPTION	A PIPE SIZE	LIST PRICE
Z1474*	Dura-Coated Cast Iron	8-3/8"	1,725.00
ZN1474	D.C.C.I. with Polished Nickel Bronze Top	8-3/8"	2,483.00
SUFFIXES			
-DC	Duresist Cover		572.00
-G	Galvanized Cast Iron		690.00
-N	With Internal Cleanout (See Z1440)	4"	258.00
		6"	521.00
-SG	Solid Gasketed Cover		406.00
-VP	Vandal-Proof Screw		123.00
BEST SELLERS			LIST PRICE
Z1474-4-N			1,983.00
Z1474-4-N-VP			2,106.00
ZN1474-N-4			2,741.00
Z1474-6-N			2,246.00

*Regularly furnished unless otherwise specified.

Items designated as Best Sellers are most specified and are generally in stock for shipment.

⌚ This symbol denotes a product that is engineered to reduce installation and rework time.

For additional product information, please visit www.zurn.com

NOTES

INTRO

ROOF DRAINS

FLOOR DRAINS

T, P, BW VALVES

INTERCEPTORS

CARRIERS

HYDRANTS

CLEANOUTS

WHA

SS DRAINS

SANI-FLOOR

TECH INFO

WATER HAMMER ARRESTORS

Z1700 SHOKTROLS

304

Z1712 ACCUMUTROL

304

Z1700 SHOKTROLS

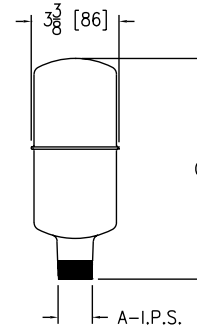


ENGINEERING SPECIFICATION

Where required in piping systems, properly sized water hammer arrestors require Zurn Z1700 (specify size). Features nesting type bellows contained within a casing having sufficient displacement volume to dissipate the calculated kinetic energy generated in the piping system. Both casing and bellows are constructed of Type 304 stainless steel.

NOTE:

All sizes of Zurn Z1700 Shoktrol water hammer arrestors comply with the following specifications:
PDI WH-201
ANSI A112.26.1M
ASSE 1010



Size	Dimensions in inches [mm]		Approximate Weight lb [kg]	Fixture Unit Capacity
	A	C		
100	3/4 [19]	3-1/2 [89]	1 [0.5]	1-11
200			1-1/2 [0.68]	12-32
300	1 [25]	4-1/2 [114]	1-3/4 [0.79]	33-60
400			2-3/4 [1.25]	61-113
500			3-1/4 [1.5]	114-154
600			3-3/4 [1.7]	155-330

PREFIXES	DESCRIPTION	SIZE	LIST PRICE
Z*	Zurn Shoktrol Water Hammer Arrestors are regularly furnished in all stainless steel construction. Pipe threads are accurately machined to assure tight connection. 3/4" male I.P.S. inlet is standard for sizes 100 and 200, while 1" male I.P.S. inlet is standard for sizes 300 thru 600.	100	674.00
		200	1,356.00
		300	2,040.00
		400	5,100.00
		500	5,756.00
		600	7,073.00

BEST SELLERS		LIST PRICE
Z1700-100		674.00
Z1700-200		1,356.00
Z1700-300		2,040.00
Z1700-400		5,100.00

Z1712 ACCUMUTROL

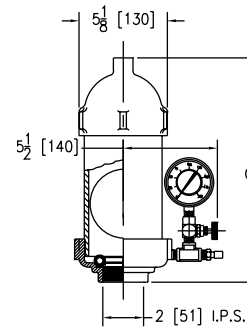


ENGINEERING SPECIFICATION

Shock associated with solenoid or other quick-closing valves serving heavy equipment, such as laundry machines, dishwashers, etc., shall be controlled by installation of Zurn Z1712 Accumutrol. Comes complete with floating stainless steel spherical piston, surge chamber, valve and gauge assembly. Specify size and location.

NOTE:

Maximum temperature 500°F. Maximum pressure 200 PSI residual.



Size	C inches [mm]	Approximate Weight lb [kg]
2000	13 [330]	20 [9]
4000	21 [533]	28 [13]
6000	29 [737]	36 [16]
8000	37 [940]	44 [20]
10000	45 [1143]	52 [24]
12000	53 [1346]	60 [27]
14000	61 [1549]	68 [31]
16000	69 [1753]	76 [34]

PREFIXES	DESCRIPTION	SIZE	LIST PRICE
Z*	Bronze surge chamber, Viton valve seat and stainless steel spherical piston.	2000	8,685.00
		4000	10,061.00
		6000	11,536.00
		8000	14,038.00
		10000	16,193.00
		12000	18,350.00
	14000	27,435.00	
	16000	30,286.00	

BEST SELLERS		LIST PRICE
Z1712-2000		8,685.00
Z1712-6000		11,536.00

STAINLESS STEEL DRAINS

STAINLESS STEEL DRAINS – APPLICATION INDEX	306
STAINLESS STEEL DRAINS – BUTT-WELD ENGINEERING DATA	306
Z1715 15" DIAMETER ROOF DRAIN	307
Z1717 SCUPPER DRAIN	307
Z1720 4" X 8" OPEN SIGHT DRIP DRAIN	308
Z1721 6" X 12" OPEN SIGHT DRIP DRAIN	308
Z1724 ROUND FUNNEL	309
Z1725 OVAL FUNNEL	309
Z1726 ADJUSTABLE MEDIUM DUTY FLOOR DRAIN WITH ROUND TOP	310
Z1727 ADJUSTABLE MEDIUM DUTY FLOOR DRAIN WITH SQUARE TOP	311
Z1730 9" DIAMETER HEAVY-DUTY SHALLOW TYPE FLOOR DRAIN	312
Z1731 9" DIAMETER HEAVY-DUTY MEDIUM DEPTH FLOOR DRAIN	312
Z1732 9-5/8" DIAMETER HEAVY-DUTY ADJUSTABLE FLOOR DRAIN	313
Z1735 12" DIAMETER HEAVY-DUTY FLOOR DRAIN	313
Z1736 12" DIAMETER EXTRA HEAVY-DUTY FLOOR DRAIN	314
Z1737 15" DIAMETER EXTRA HEAVY-DUTY FLOOR DRAIN	314
Z1739 PIT DRAIN	315
Z1740 BACKWATER VALVE	315
Z1745 FLOOR CLEANOUT WITH O-RING SEAL PLUG	316
Z1749 12" X 12" SANI-FLOOR RECEPTOR WITH 4" SUMP DEPTH	317
Z1750 12" X 12" SANI-FLOOR RECEPTOR WITH 6" SUMP DEPTH	318
Z1751 12" X 12" SANI-FLOOR RECEPTOR WITH 8" SUMP DEPTH	319
Z1752 12" X 12" SANI-FLOOR RECEPTOR WITH 10" SUMP DEPTH	320
Z1755 13-3/8" SQUARE SANI-FLOOR RECEPTOR 6" SUMP WITH ADJUSTABLE CLAMP FRAME	321
Z1761 24-5/16" SQUARE KETTLE DRAIN WITH 8" SUMP DEPTH	321
Z1762 25" X 15-1/2" KETTLE DRAIN	322
Z1763 37-9/16" X 22-7/8" KETTLE DRAIN	322

STAINLESS STEEL DRAINS – APPLICATION INDEX

Product selection should be made with a specific application and the type of construction in mind. The varied types and sizes of Zurn drainage products, together with their options, offer a drain selection for all applications.

APPLICATION	RECOMMENDED DRAINAGE PRODUCT
Main Roof Drain	Z1715
Wall or Scupper Drain	Z1717
Food Service Floor Drain	Z1749, Z1750, Z1751, Z1752, Z1761, Z1762, Z1763
Indirect Waste Floor Receptor	Z1720, Z1721, Z1750-1, Z1751-1, Z1752-1
Heavy-Duty Floor Drain	Z1730, Z1731, Z1732, Z1735, Z1737
Adjustable Floor Drain	Z1726, Z1727, Z1732
Extra-Heavy-Duty Floor Drain	Z1736, Z1737
Wall of Pitt Drain	Z1739
Backwater Valve	Z1740
Sanitary Floor Cleanout	Z1745
Pool Deck Drain	Z1723

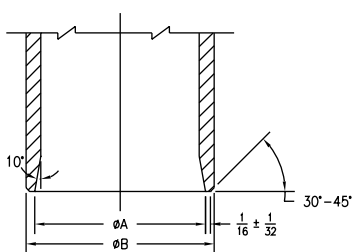
STAINLESS STEEL DRAINS – BUTT-WELD ENGINEERING DATA

Butt-Welding Casting Outlets

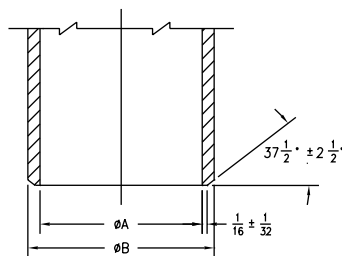
The outlet sections of all cast carbon steel or cast stainless steel products as specified from this brochure shall conform to ANSI-B36.10M-85 and ANSI-B36.19M-85 standards for pipe wall thicknesses for Schedule 10, Schedule 40, or Schedule 80 as specified.

Butt-welding ends of the above mentioned sections shall conform to ANSI B16.25-86 standard for plain welding bevel of $37\frac{1}{2}^{\circ} + 2\frac{1}{2}^{\circ}$ and root face (land) of $\frac{1}{16}'' + \frac{1}{32}''$.

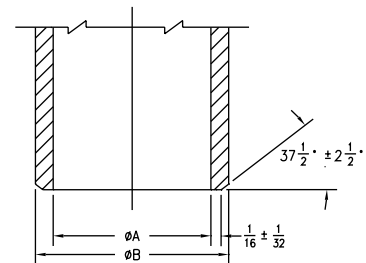
All outlet requirements must be specified and made known to the manufacturer prior to quotation of prices of products applicable to the project.



Schedule 10S Pipe



Schedule 40 Pipe



Schedule 80 Pipe

Schedule Pipe	Dimensions in Inches [mm]									
	Pipe Size									
	2 [51]		3 [76]		4 [102]		6 [152]		8 [203]	
	A	B	A	B	A	B	A	B	A	B
10S	2.157	2.375	3.260	3.500	4.260	4.500	6.375	6.625	8.329	8.625
40	2.067	2.375	3.068	3.500	4.026	4.500	6.065	6.625	7.981	8.625
80	1.939	2.375	2.900	3.500	3.826	4.500	5.761	6.625	7.625	8.625

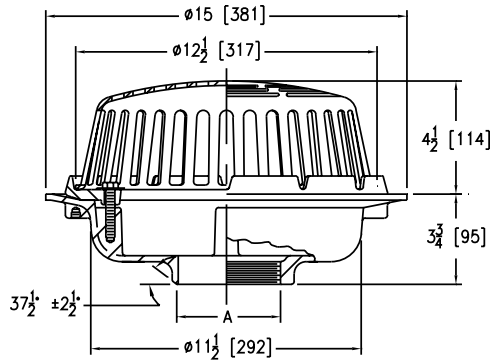
Z1715 15" DIAMETER ROOF DRAIN



ENGINEERING SPECIFICATION

Zurn Z1715 roof drain features Type 304 (CF8) stainless steel body, galvanized cast iron combination gravel guard/flashing clamp, and dome strainer.

Dimensions in inches [mm]		Approximate Weight lb [kg]	Dome Open Area sq in [cm ²]
A Pipe Size			
Butt-Weld (BW) - Specify Schedule 10 or 40			
3BW, 4BW		52 [24]	103 [665]
6BW		54 [24]	
Threaded (IP)			
3IP, 4IP		52 [24]	103 [665]



PREFIXES	DESCRIPTION	A PIPE SIZE	LIST PRICE
Z1715*	Type 304 (CF8) Stainless Steel Body	3", 4"	POA
		6"	POA
ZM1715	Type 316 (CF8M) Stainless Steel Body	3", 4"	POA
		6"	POA

OUTLETS (SPECIFY PIPE SIZE IN INCHES AND TYPE OF OUTLET)			
OUTLET TYPE		PIPE SIZE/OUTLET TYPE	ADD
BW	Butt-weld (Specify Schedule 10 or 40)	3BW, 4BW, 6BW	POA
IP	Threaded	3IP, 4IP	POA

SUFFIXES			
-C	Galvanized Underdeck Clamp		POA
-DP	Top-Set® Roof Deck Plate (Replaces both the -C and -R)		POA
-E	Galvanized Extension (Specify height from 1" to 4")		POA
-R	Galvanized Steel Sump Receiver		POA
-VP	Vandal-Proof Secured Top		POA

BEST SELLER	LIST PRICE
Z1715-4IP-DP	POA

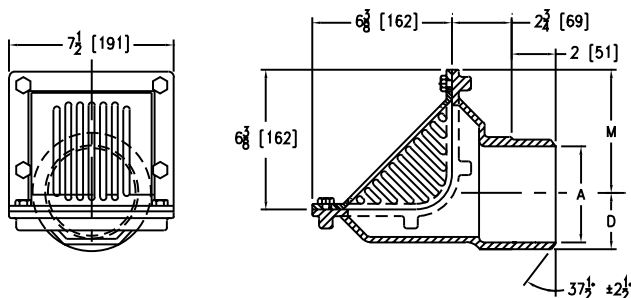
Z1717 SCUPPER DRAIN



ENGINEERING SPECIFICATION

Zurn Z1717 scupper drain features Type 304 (CF8) stainless steel body, cast aluminum oblique grate, and clamp collar.

Dimensions in inches [mm]			Approximate Weight lb [kg]	Grate Open Area sq in [cm ²]
A Pipe Size	D	M		
Butt-weld (BW) - Specify Schedule 10 or 40				
3BW	2 [51]	6-1/8 [156]	24 [11]	20 [129]
4BW	2-1/2 [63]	5-5/8 [143]		



PREFIXES	DESCRIPTION	A PIPE SIZE	LIST PRICE
Z1717*	Type 304 (CF8) Stainless Steel Body	3", 4"	POA
ZM1717	Type 316 (CF8M) Stainless Steel Body	3", 4"	POA

OUTLETS (SPECIFY PIPE SIZE IN INCHES AND TYPE OF OUTLET)			
OUTLET TYPE		PIPE SIZE/OUTLET TYPE	ADD
BW	Butt-weld (Specify Schedule 10 or 40)	3BW, 4BW	POA

SUFFIXES			
-VP	Vandal-Proof Secured Top		POA

BEST SELLER	LIST PRICE
Z1717-4BW-SC40	POA

*Regularly furnished unless otherwise specified.

Items designated as Best Sellers are most specified and are generally in stock for shipment.

⌚ This symbol denotes a product that is engineered to reduce installation and rework time.

For additional product information, please visit www.zurn.com

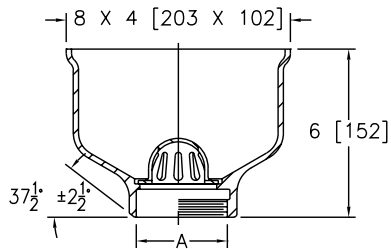
Z1720 4" X 8" OPEN SIGHT DRIP DRAIN



ENGINEERING SPECIFICATION

Zurn Z1720 4" x 8" open sight drip drain features Type 304 (CF8) stainless steel body and integral aluminum bottom dome strainer, all with plain finish.

Dimensions in inches [mm]		Approximate Weight lb [kg]
A Pipe Size		
Butt-Weld (BW) - Specify Schedule 10 or 40		
2BW, 3BW		13 [6]
Threaded (IP)		
2IP, 3IP		13 [6]



PREFIXES	DESCRIPTION	A PIPE SIZE	LIST PRICE
Z1720*	Type 304 (CF8) Stainless Steel Body	2", 3"	POA
ZM1720	Type 316 (CF8M) Stainless Steel Body	2", 3"	POA
OUTLETS (SPECIFY PIPE SIZE IN INCHES AND TYPE OF OUTLET)			
OUTLET TYPE		PIPE SIZE/OUTLET TYPE	ADD
BW	Butt-weld (Specify Schedule 10 or 40)	2BW, 3BW	POA
IP	Threaded	2IP, 3IP	POA
SUFFIXES			
-DB	Stainless Steel Dome Bottom Strainer		POA
-FG	Flush Gate		POA
BEST SELLER			LIST PRICE
Z1720-3IP			POA

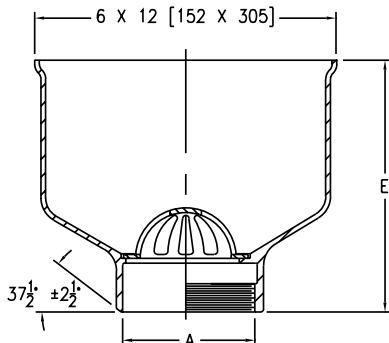
Z1721 6" X 12" OPEN SIGHT DRIP DRAIN



ENGINEERING SPECIFICATION

Zurn Z1721 6" x 12" open sight drip drain features Type 304 (CF8) stainless steel body and integral aluminum bottom dome strainer, all with plain finish.

Dimensions in inches [mm]		Approximate Weight lb [kg]
A Pipe Size	E Body Height Dimensions	
Butt-Weld (BW) - Specify Schedule 10 or 40		
3BW, 4BW, 6BW	10 [254]	30 [14]
Threaded (IP)		
3IP, 4IP, 6IP	10 [254]	30 [14]



PREFIXES	DESCRIPTION	A PIPE SIZE	LIST PRICE	
Z1721*	Type 304 (CF8) Stainless Steel Body	3", 4", 6"	POA	
ZM1721	Type 316 (CF8M) Stainless Steel Body	3", 4", 6"	POA	
OUTLETS (SPECIFY PIPE SIZE IN INCHES AND TYPE OF OUTLET)				
OUTLET TYPE		PIPE SIZE/OUTLET TYPE	E BODY HT. DIM.	ADD
BW	Butt-weld (Specify Schedule 10 or 40)	3BW, 4BW, 6BW	10"	POA
IP	Threaded	3IP, 4IP, 6IP	10"	POA
SUFFIXES				
-DB	Stainless Steel Dome Bottom Strainer		POA	
-FG	Flush Gate		POA	

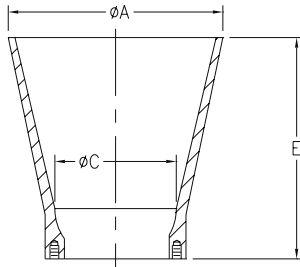
Z1724 ROUND FUNNEL



ENGINEERING SPECIFICATION

Zurn Z1724 4" or 6" diameter round funnel features Type 304 (CF8) stainless steel with satin finish and securing screws.

Dimensions in inches [mm]			Approximate Weight lb [kg]
A	C	E	
4 [102]	2-1/4 [57]	3-3/4 [95]	3 [1]
6 [152]	2-7/8 [73]	6 [152]	5 [2]



PREFIXES	DESCRIPTION	PRODUCT DESIG.	'A' DIA. SIZE	LIST PRICE
Z1724*	Type 304 (CF8) Stainless Steel Body	-4	4"	POA
		-6	6"	POA
ZM1724	Type 316 (CF8M) Stainless Steel Body	-4	4"	POA
		-6	6"	POA
BEST SELLER				LIST PRICE
Z1724-4				POA

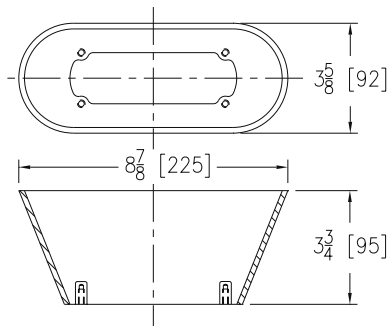
Z1725 OVAL FUNNEL



ENGINEERING SPECIFICATION

Zurn Z1725 8-7/8" x 3-5/8" oval funnel features Type 304 (CF8) stainless steel with satin finish and securing screws. (For use with 6" top size or larger.)

Dimensions in inches [mm]	Approximate Weight lb [kg]
A Oval Size	
8-7/8 [225] x 3-5/8 [92]	5 [2]



PREFIXES	DESCRIPTION	A PIPE SIZE	LIST PRICE
Z1725*	Type 304 (CF8) Stainless Steel Body	8-7/8" x 3-5/8"	POA
ZM1725	Type 316 (CF8M) Stainless Steel Body	8-7/8" x 3-5/8"	POA

*Regularly furnished unless otherwise specified.

Items designated as Best Sellers are most specified and are generally in stock for shipment.

🕒 This symbol denotes a product that is engineered to reduce installation and rework time.

For additional product information, please visit www.zurn.com

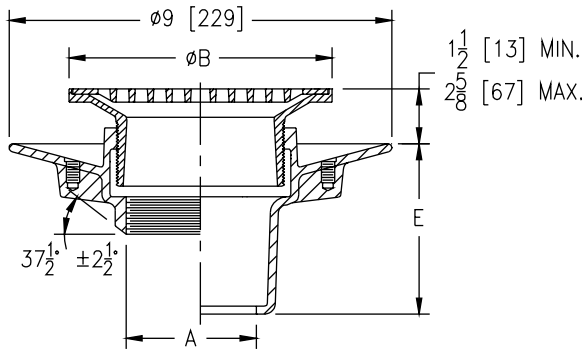
Z1726 ADJUSTABLE MEDIUM DUTY FLOOR DRAIN WITH ROUND TOP



ENGINEERING SPECIFICATION

Zurn Z1726 medium-duty adjustable floor drain features all Type 304 (CF8) stainless steel, anchor flange (clamp collar with seepage holes, when specified), and 6" diameter medium-duty vertically adjustable satin finish top.

Dimensions in inches [mm]			Approximate Weight lb [kg]	Grate Open Area sq in [cm ²]
A	B	E		
Butt-Weld (BW) - Specify Schedule 10 or 40				
2BW, 3BW	5 [127]	2-7/8 [73]	13 [6]	7 [45]
2BW, 3BW, 4BW	6 [152]		13 [6]	11 [71]
2BW, 3BW, 4BW	7 [178]		14 [6]	15 [97]
3BW, 4BW, 6BW	8 [203]		16 [7]	20 [129]
6BW	10 [254]		19 [9]	27 [174]
Inside Caulk (IC)				
2IC, 3IC	5 [127]	4-3/8 [111]	13 [6]	7 [45]
2IC, 3IC, 4IC	6 [152]		13 [6]	11 [71]
2IC, 3IC, 4IC	7 [178]		14 [6]	15 [97]
3IC, 4IC	8 [203]		16 [7]	20 [129]
Threaded (IP)				
2IP, 3IP	5 [127]	2-7/8 [73]	13 [6]	7 [45]
2IP, 3IP, 4IP	6 [152]		13 [6]	11 [71]
2IP, 3IP, 4IP	7 [178]		14 [6]	15 [97]
3IP, 4IP	8 [203]		16 [7]	20 [129]



PREFIXES	DESCRIPTION	STRAINER DESIG.	A PIPE SIZE	LIST PRICE
Z1726*	Type 304 (CF8) Stainless Steel Body	-RD5	2", 3"	POA
		-RD6	2", 3", 4"	POA
		-RD7	2", 3", 4"	POA
		-RD8	3", 4", 6"	POA
		-RD10	6"	POA
ZM1726	Type 316 (CF8M) Stainless Steel Body	-RD5	2", 3"	POA
		-RD6	2", 3", 4"	POA
		-RD7	2", 3", 4"	POA
		-RD8	3", 4", 6"	POA
		-RD10	6"	POA

OUTLETS (SPECIFY PIPE SIZE IN INCHES AND TYPE OF OUTLET)			
OUTLET TYPE	PIPE SIZE/OUTLET TYPE	E BODY HT. DIM.	ADD
BW	Butt-weld (Specify Schedule 10 or 40)	2BW, 3BW, 4BW, 6BW	2-7/8" POA
IC	Inside Caulk	2IC, 3IC, 4IC	4-3/8" POA
IP	Threaded	2IP, 3IP, 4IP	2-7/8" POA
SUFFIXES			ADD
-K	Seepage Holes Only		POA
-KC	Clamp Collar with Seepage Holes		POA
-VP	Vandal-Proof Secured Top		POA
-Y	Stainless Steel Sediment Bucket		POA
BEST SELLERS			LIST PRICE
Z1726-3IP			POA
Z1726-3IP-RD5			POA
Z1726-4IP-K			POA

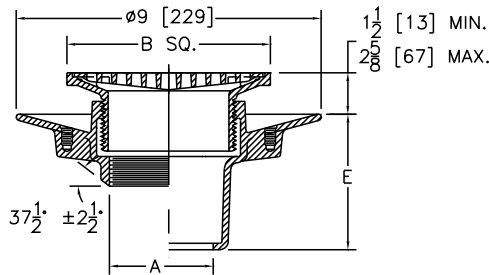
Z1727 ADJUSTABLE MEDIUM DUTY FLOOR DRAIN WITH SQUARE TOP



ENGINEERING SPECIFICATION

Zurn Z1727 medium-duty adjustable floor drain features all Type 304 (CF8) stainless steel, anchor flange (clamp collar with seepage holes when specified), and 6" square medium-duty vertically adjustable satin finish top.

Dimensions in inches [mm]			Approximate Weight lb [kg]	Grate Open Area sq in [cm ²]
A	B	E		
Butt-Weld (BW) - Specify Schedule 10 or 40				
2BW, 3BW	5 [127]	2-7/8 [73]	13 [6]	9 [58]
2BW, 3BW, 4BW	6 [152]		14 [6]	13 [84]
3BW, 4BW, 6BW	8 [203]		18 [8]	25 [161]
Inside Caulk (IC)				
3IC	5 [127]	4-3/8 [111]	13 [6]	9 [58]
3IC, 4IC	6 [152]		14 [6]	13 [84]
3IC, 4IC	8 [203]		18 [8]	25 [161]
Threaded (IP)				
2IP, 3IP	5 [127]	2-7/8 [73]	13 [6]	9 [58]
2IP, 3IP, 4IP	6 [152]		14 [6]	13 [84]
3IP, 4IP	8 [203]		18 [8]	25 [161]



PREFIXES	DESCRIPTION	STRAINER DESIG.	A PIPE SIZE	LIST PRICE
Z1727*	Type 304 (CF8) Stainless Steel Body and Top Assembly	-SQ5	2", 3"	POA
		-SQ6	2", 3", 4"	POA
		-SQ8	3", 4", 6"	POA
ZM1727	Type 316 (CF8M) Stainless Steel Body and Top Assembly	-SQ5	2", 3"	POA
		-SQ6	2", 3", 4"	POA
		-SQ8	3", 4", 6"	POA

OUTLETS (SPECIFY PIPE SIZE IN INCHES AND TYPE OF OUTLET)

OUTLET TYPE	PIPE SIZE/OUTLET TYPE	E BODY HT. DIM.	ADD
BW	Butt-weld (Specify Schedule 10 or 40)	2BW, 3BW, 4BW, 6BW	2-7/8" POA
IC	Inside Caulk	3IC, 4IC	4-3/8" POA
IP	Threaded	2IP, 3IP, 4IP	2-7/8" POA

SUFFIXES

SUFFIXES	ADD
-K	Seepage Holes Only POA
-KC	Clamp Collar with Seepage Holes POA
-VP	Vandal-Proof Secured Top POA
-Y	Stainless Steel Sediment Bucket POA

BEST SELLERS

BEST SELLERS	LIST PRICE
Z1727-3BW-SCH40-K-SQ5	POA
Z1727-4IP-SQ8	POA

*Regularly furnished unless otherwise specified.

Items designated as Best Sellers are most specified and are generally in stock for shipment.

⌚ This symbol denotes a product that is engineered to reduce installation and rework time.

For additional product information, please visit www.zurn.com

INTRO
ROOF DRAINS
FLOOR DRAINS
I, P, BW VALVES
INTERCEPTORS
CARRIERS
HYDRANTS
CLEANOUTS
WHA
SS DRAINS
SANI-FLOOR
TECH INFO

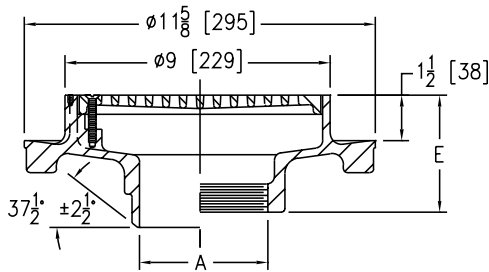
Z1730 9" DIAMETER HEAVY-DUTY SHALLOW TYPE FLOOR DRAIN



ENGINEERING SPECIFICATION

Zurn Z1730 9" diameter shallow type, heavy-duty floor drain features all Type 304 (CF8) stainless steel, integral anchor flange, and non-tilt grate with plain finish.

Dimensions in inches [mm]		Approximate Weight lb [kg]	Grate Open Area sq in [cm ²]
A	E		
Butt-Weld (BW) - Specify Schedule 10 or 40			
2BW, 3BW, 4BW	4-13/16 [122]	20 [9]	21 [135]
Threaded (IP)			
2IP, 3IP, 4IP	4-13/16 [122]	20 [9]	21 [135]
No-Hub (NH)			
2NH, 3NH, 4NH	4-13/16 [122]	20 [9]	21 [135]



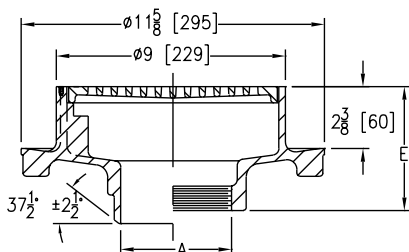
Z1731 9" DIAMETER HEAVY-DUTY MEDIUM DEPTH FLOOR DRAIN



ENGINEERING SPECIFICATION

Zurn Z1731 9" diameter heavy-duty floor drain features all Type 304 (CF8) stainless steel, anchor flange, and loose set grate with plain finish.

Dimensions in inches [mm]		Approximate Weight lb [kg]	Grate Open Area sq in [cm ²]
A	E		
Butt-Weld (BW) - Specify Schedule 10 or 40			
3BW, 4BW	5-11/16 [144]	22 [10]	21 [135]
Inside Caulk (IC)			
3IC, 4IC	5-11/16 [144]	22 [10]	21 [135]
Threaded (IP)			
3IP, 4IP	5-11/16 [144]	22 [10]	21 [135]
No-Hub (NH)			
3NH, 4NH	5-11/16 [144]	22 [10]	21 [135]



PREFIXES	DESCRIPTION	A PIPE SIZE	LIST PRICE
Z1730*	Type 304 (CF8) Stainless Steel Body	2", 3", 4"	POA
ZM1730	Type 316 (CF8M) Stainless Steel Body	2", 3", 4"	POA
OUTLETS (SPECIFY PIPE SIZE IN INCHES AND TYPE OF OUTLET)			
OUTLET TYPE	PIPE SIZE/OUTLET TYPE	E BODY HT. DIM.	ADD
BW	Butt-weld (Specify Schedule 10 or 40)	2BW, 3BW, 4BW	4-13/16" POA
IP	Threaded	2IP, 3IP, 4IP	4-13/16" POA
NH	No-Hub	2NH, 3NH, 4NH	4-13/16" POA
SUFFIXES			
-K	Seepage Holes Only		POA
-KC	Clamp Collar with Seepage Holes		POA
-TS	Top Secured with Slotted Screws		POA
-VP	Vandal-Proof Secured Top		POA
BEST SELLER			LIST PRICE
Z1730-4NH			POA

PREFIXES	DESCRIPTION	A PIPE SIZE	LIST PRICE
Z1731*	Type 304 (CF8) Stainless Steel Body	3", 4"	POA
ZM1731	Type 316 (CF8M) Stainless Steel Body	3", 4"	POA
OUTLETS (SPECIFY PIPE SIZE IN INCHES AND TYPE OF OUTLET)			
OUTLET TYPE	PIPE SIZE/OUTLET TYPE	E BODY HT. DIM.	ADD
BW	Butt-weld (Specify Schedule 10 or 40)	3BW, 4BW	5-11/16" POA
IC	Inside Caulk	3IC, 4IC	5-11/16" POA
IP	Threaded	3IP, 4IP	5-11/16" POA
NH	No-Hub	3NH, 4NH	5-11/16" POA
SUFFIXES			
-K	Seepage Holes Only		POA
-KC	Clamp Collar with Seepage Holes		POA
-TS	Top Secured with Slotted Screws		POA
-VP	Vandal-Proof Secured Top		POA
-Y	Sediment Bucket		POA
BEST SELLERS			LIST PRICE
Z1731-3IC			POA
Z1731-4IC			POA
Z1731-4NH-VP			POA

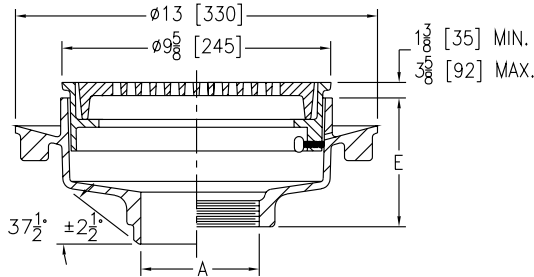
Z1732 9-5/8" DIAMETER HEAVY-DUTY ADJUSTABLE FLOOR DRAIN



ENGINEERING SPECIFICATION

Zurn Z1732 heavy-duty adjustable floor drain features all Type 304 (CF8) stainless steel, integral anchor flange, adjustable top frame, and deep floor grate with plain finish.

Dimensions in inches [mm]		Approximate Weight lb [kg]	Grate Open Area sq in [cm ²]
A	E		
Threaded (IP)			
2IP, 3IP, 4IP	6 [152]	40 [18]	14 [90]
6IP	6-3/8 [162]		
No-Hub (NH)			
2NH, 3NH, 4NH	6 [152]	40 [18]	14 [90]
6NH	6-3/8 [162]		



PREFIXES	DESCRIPTION	A PIPE SIZE	LIST PRICE
Z1732*	Type 304 (CF8) Stainless Steel Body	2", 3", 4", 6"	POA
ZM1732	Type 316 (CF8M) Stainless Steel Body	2", 3", 4", 6"	POA

OUTLETS (SPECIFY PIPE SIZE IN INCHES AND TYPE OF OUTLET)			
OUTLET TYPE		PIPE SIZE/OUTLET TYPE	E BODY HT. DIM. ADD
IP	Threaded	2IP, 3IP, 4IP	6" POA
		6IP	6-3/8" POA
NH	No-Hub	2NH, 3NH, 4NH	6" POA
		6NH	6-3/8" POA

SUFFIXES		ADD
-K	Seepage Holes Only	POA
-KC	Clamp Collar with Seepage Holes	POA
-SC	Solid Secured Cover	POA
-VP	Vandal-Proof Secured Top	POA
-Y	Sediment Bucket	POA
-30	Bronze Closure Plug	POA
-33	Type 304 (CF8) Stainless Steel Closure Plug	POA

BEST SELLERS	LIST PRICE
Z1732-2NH	POA
Z1732-3NH-33-KC	POA
Z1732-3NH-K	POA
Z1732-3NH-KC	POA
Z1732-3NH-KC-Y	POA
Z1732-4NH	POA

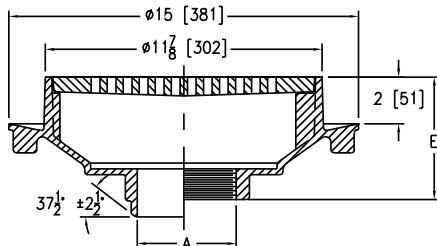
Z1735 12" DIAMETER HEAVY-DUTY FLOOR DRAIN



ENGINEERING SPECIFICATION

Zurn Z1735 12" diameter heavy-duty floor drain features all Type 304 (CF8) stainless steel body with integral anchor flange and non-tilt grate with plain finish.

Dimensions in inches [mm]		Approximate Weight lb [kg]	Grate Open Area sq in [cm ²]
A	E		
Butt-Weld (BW) - Specify Schedule 10 or 40			
3BW, 4BW	6 [152]	50 [23]	33 [213]
6BW		54 [24]	
Threaded (IP)			
3IP, 4IP	5-1/4 [133]	50 [23]	33 [213]
6IP		54 [24]	



PREFIXES	DESCRIPTION	A PIPE SIZE	LIST PRICE
Z1735*	Type 304 (CF8) Stainless Steel Body	3", 4", 6"	POA
ZM1735	Type 316 (CF8M) Stainless Steel Body	3", 4", 6"	POA

OUTLETS (SPECIFY PIPE SIZE IN INCHES AND TYPE OF OUTLET)			
OUTLET TYPE		PIPE SIZE/OUTLET TYPE	E BODY HT. DIM. ADD
BW	Butt-weld (Specify Schedule 10 or 40)	3BW, 4BW, 6BW	6" POA
IP	Threaded	3IP, 4IP, 6IP	5-1/4" POA

SUFFIXES		ADD
-K	Seepage Holes Only	POA
-KC	Clamp Collar with Seepage Holes	POA
-TS	Top Secured with Slotted Screws	POA
-VP	Vandal-Proof Secured Top	POA
-Y	Sediment Bucket	POA
-30	Bronze Closure Plug	POA
-33	Type 304 (CF8) Stainless Steel Closure Plug	POA

*Regularly furnished unless otherwise specified.

Items designated as Best Sellers are most specified and are generally in stock for shipment.

⌚ This symbol denotes a product that is engineered to reduce installation and rework time.

For additional product information, please visit www.zurn.com

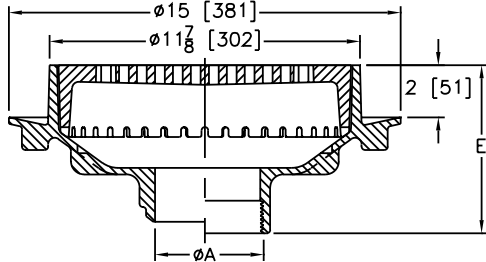
Z1736 12" DIAMETER EXTRA HEAVY-DUTY FLOOR DRAIN



ENGINEERING SPECIFICATION

Zurn Z1736 12" diameter extra heavy-duty floor drain features all Type 304 (CF8) stainless steel body with integral anchor flange and deep flange grate with plain finish.

Dimensions in inches [mm]		Approximate Weight lb [kg]	Grate Open Area sq in [cm ²]
A	E		
Butt-Weld (BW) - Specify Schedule 10 or 40			
3BW, 4BW, 6BW	6 [152]	61 [28]	34 [219]
Threaded (IP)			
3IP, 4IP, 6IP	6-7/16 [164]	61 [28]	34 [219]



PREFIXES	DESCRIPTION	A PIPE SIZE	LIST PRICE
Z1736*	Type 304 (CF8) Stainless Steel Body	3", 4", 6"	POA
ZM1736	Type 316 (CF8M) Stainless Steel Body	3", 4", 6"	POA
OUTLETS (SPECIFY PIPE SIZE IN INCHES AND TYPE OF OUTLET)			
OUTLET TYPE	PIPE SIZE/OUTLET TYPE	E BODY HT. DIM.	ADD
BW	Butt-weld (Specify Schedule 10 or 40)	3BW, 4BW, 6BW	6" POA
IP	Threaded	3IP, 4IP, 6IP	6-7/16" POA
SUFFIXES			
-K	Seepage Holes Only		POA
-KC	Clamp Collar with Seepage Holes		POA
-TS	Top Secured with Slotted Screws		POA
-VP	Vandal-Proof Secured Top		POA
-Y	Sediment Bucket		POA
-30	Bronze Closure Plug		POA
-33	Type 304 Stainless Steel Closure Plug		POA
BEST SELLER			LIST PRICE
Z1736-4IP-KC-Y			POA

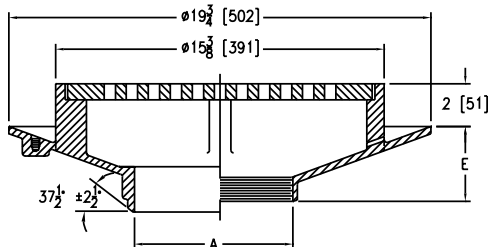
Z1737 15" DIAMETER EXTRA HEAVY-DUTY FLOOR DRAIN



ENGINEERING SPECIFICATION

Zurn Z1737 15" diameter extra heavy-duty floor drain features all Type 304 (CF8) stainless steel body, integral anchor flange, and non-tilt grate with plain finish.

Dimensions in inches [mm]		Approximate Weight lb [kg]	Grate Open Area sq in [cm ²]
A	E		
Threaded (IP)			
8IP	5-1/2 [140]	85 [39]	55 [355]



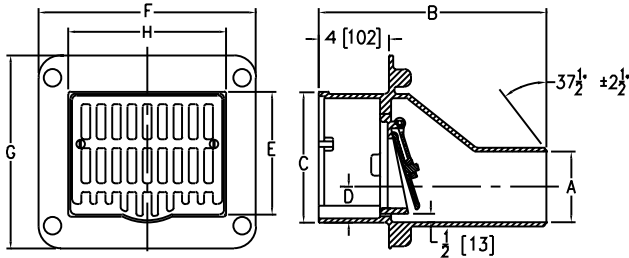
PREFIXES	DESCRIPTION	A PIPE SIZE	LIST PRICE
Z1737*	Type 304 (CF8) Stainless Steel Body	8"	POA
ZM1737	Type 316 (CF8M) Stainless Steel Body	8"	POA
OUTLETS (SPECIFY PIPE SIZE IN INCHES AND TYPE OF OUTLET)			
OUTLET TYPE	PIPE SIZE/OUTLET TYPE	E BODY HT. DIM.	ADD
IP	Threaded	8IP	5-1/2" POA
SUFFIXES			
-K	Seepage Holes Only		POA
-KC	Clamp Collar with Seepage Holes		POA
-TS	Top Secured with Slotted Screws		POA
-VP	Vandal-Proof Secured Top		POA

Z1739 PIT DRAIN



ENGINEERING SPECIFICATION

Zurn Z1739 pit drain features all Type 304 (CF8) stainless steel body with integral anchor flange, grate with plain finish, and bronze backwater valve.



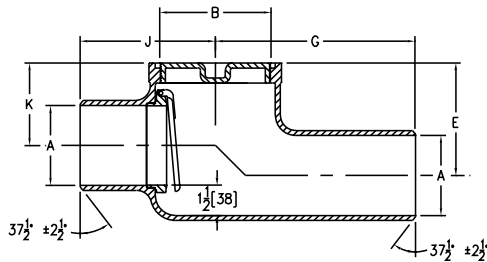
Dimensions in inches [mm]								Approximate Weight lb [kg]	Grate Open Area sq in [cm ²]
A	B	C	D	E	F	G	H		
Butt-Weld (BW) - Specify Schedule 10 or 40									
3BW	13 [330]	7-5/8 [194]	1-1/2 [38]	6-7/8 [175]	12-3/4 [324]	11 [279]	9-1/4 [235]	50 [23]	20 [129]
4BW			2 [51]						

Z1740 BACKWATER VALVE



ENGINEERING SPECIFICATION

Zurn Z1740 backwater valve features Type 304 (CF8) stainless steel body with bronze backwater valve and bronze threaded cover.



Dimensions in inches [mm]						Approximate Weight lb [kg]
A	B	E	G	J	K	
Butt-Weld (BW) - Specify Schedule 10 or 40						
4BW	5 [127]	5-5/8 [143]	8-1/2 [216]	6-3/4 [171]	4-1/8 [105]	40 [18]

PREFIXES	DESCRIPTION	A PIPE SIZE	LIST PRICE
Z1739*	Type 304 (CF8) Stainless Steel Body	3"	POA
		4"	POA
ZM1739	Type 316 (CF8M) Stainless Steel Body	3"	POA
		4"	POA
OUTLETS (SPECIFY PIPE SIZE IN INCHES AND TYPE OF OUTLET)			
OUTLET TYPE	PIPE SIZE/OUTLET TYPE		ADD
BW	Butt-weld (Specify Schedule 10 or 40)	3BW, 4BW	POA
SUFFIXES			
-VP	Vandal-Proof Secured Top		POA
BEST SELLER			LIST PRICE
Z1739-3BW			POA

PREFIXES	DESCRIPTION	A PIPE SIZE	LIST PRICE
Z1740*	Type 304 (CF8) Stainless Steel Body	4"	POA
		4"	POA
ZM1740	Type 316 (CF8M) Stainless Steel Body	4"	POA
OUTLETS (SPECIFY PIPE SIZE IN INCHES AND TYPE OF OUTLET)			
OUTLET TYPE	PIPE SIZE/OUTLET TYPE		ADD
BW	Butt-weld (Specify Schedule 10 or 40)	4BW	POA
SUFFIXES			
-SP	Stainless Steel Threaded Cover		POA
-SV	Stainless Steel Backwater Valve		POA

*Regularly furnished unless otherwise specified.

Items designated as Best Sellers are most specified and are generally in stock for shipment.

⌚ This symbol denotes a product that is engineered to reduce installation and rework time.

For additional product information, please visit www.zurn.com

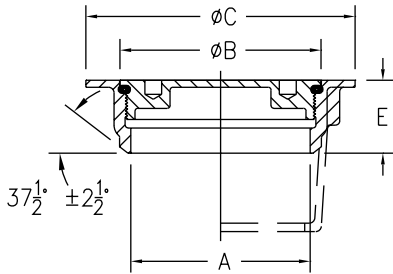
Z1745 FLOOR CLEANOUT WITH O-RING SEAL PLUG



ENGINEERING SPECIFICATION

Zurn Z1745 floor cleanout features all Type 304 (CF8) stainless steel body and plug with O-ring seal. Plug is scoriated with satin finish. Spanner wrench provided for each plug size.

Dimensions in inches [mm]				Approximate Weight lb [kg]
A	B	C	E	
Butt-Weld (BW) - Specify Schedule 10 or 40				
2BW	2-3/4 [70]	4 [102]	1-5/8 [41]	6 [3]
3BW	3-1/2 [89]	4-7/8 [124]		
4BW	4-1/2 [114]	6 [152]		
6BW	7-7/8 [200]	9-3/8 [238]	2-1/2 [64]	10 [5]
8BW	9-7/8 [251]	11 [279]		
Inside Caulk (IC)				
2IC	2-3/4 [70]	4 [102]	3-3/8 [86]	6 [3]
3IC	3-1/2 [89]	4-7/8 [124]		
4IC	4-1/2 [114]	6 [152]		
6IC	7-7/8 [200]	9-3/8 [238]		



PREFIXES	DESCRIPTION	A PIPE SIZE	LIST PRICE
Z1745*	Type 304 (CF8) Stainless Steel Body	2"	POA
		3"	POA
		4"	POA
		6"	POA
		8"	POA

ZM1745	Type 316 (CF8M) Stainless Steel Body	2"	POA
		3"	POA
		4"	POA
		6"	POA
		8"	POA

OUTLETS (SPECIFY PIPE SIZE IN INCHES AND TYPE OF OUTLET)

OUTLET TYPE	PIPE SIZE/OUTLET TYPE	E BODY HT. DIM.	ADD
BW	Butt-weld (Specify Schedule 10 or 40)	2BW, 3BW, 4BW, 6BW	1-5/8"
		8BW	2-1/2"
IC	Inside Caulk	2IC, 3IC, 4IC, 6IC	3-3/8"

SUFFIXES

-SW	Bronze Spanner Wrench	POA
------------	-----------------------	-----

BEST SELLERS

	LIST PRICE
Z1745-2IC	POA
Z1745-3IC	POA
Z1745-4IC	POA

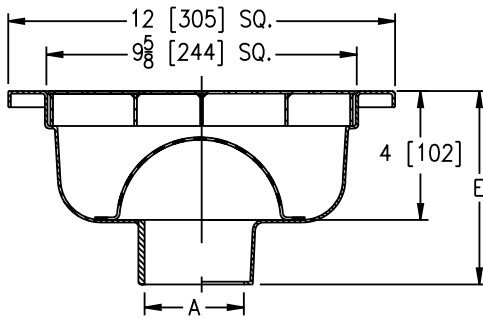
Z1749 12" X 12" SANI-FLOR RECEPTOR WITH 4" SUMP DEPTH



ENGINEERING SPECIFICATION

Zurn Z1749 12" x 12" x 4" light-duty Sani-Flor receptor features deep, 16 gage, all Type 304 (CF8) stainless steel, non-tilt, loose set, full grate with 1/2" square openings, and anti-splash stainless steel interior dome strainer.

Dimensions in inches [mm]		Approximate Weight lb [kg]	Grate Open Area sq in [cm ²]
A	E		
No-Hub (NH)			
2NH, 3NH, 4NH	6-1/16 [154]	15 [7]	23 [148]
Neo-Loc (NL)			
2NL, 3NL, 4NL	5-13/16 [148]	15 [7]	23 [148]



PREFIXES	DESCRIPTION	A PIPE SIZE	LIST PRICE
Z1749*	Type 304 (CF8) Stainless Steel Body	2"	POA
		3"	POA
		4"	POA
ZM1749	Type 316 (CF8M) Stainless Steel Body	2"	POA
		3"	POA
		4"	POA

OUTLETS (SPECIFY PIPE SIZE IN INCHES AND TYPE OF OUTLET)			
OUTLET TYPE	PIPE SIZE/OUTLET TYPE	E BODY HT. DIM.	ADD
NH	No-Hub	2NH, 3NH, 4NH	6-1/16"
NL	Neo-Loc	2NL, 3NL, 4NL	5-13/16"

SUFFIXES	ADD
-DX	Dex-O-Tex Flange
-HD	Extra-Heavy-Duty Top Frame and Grate
-HP	Heel-Proof Grate
-K	Anchor Flange (May not be used with -P)
-KC	Anchor Flange with Seepage Holes and Clamp Collar (May not be used with -P)
-P	1/2" Trap Primer Connection (May not be used with -K or -KC)
-SG	Solid Gasketed Cover
-TC	Neo-Loc Test Cap Gasket (2" thru 4" NL Bottom Outlet Only)
-VP	Vandal-Proof Secured Top
-Y	Sediment Bucket
-YS	Suspended Sediment Bucket
-2	1/2 Grate
-3	3/4 Grate
-4	Full Grate with 3" Square Opening
-5	Grate with 4" Dia. X 3-3/4" High Funnel
-8	Grate with 8-3/8" x 3-5/8 x 3-3/4" High Oval Funnel
-15	Solid Cover
-16	1/2 Solid Cover
-19	Full Hinged Grate
-20	Full Hinged Cover
DEDUCT	
-1	Less Grate

BEST SELLERS	LIST PRICE
Z1749-3NH	POA
Z1749-3NL-2	POA
Z1749-4NH	POA
Z1749-4NH-HD	POA

*Regularly furnished unless otherwise specified.

Items designated as Best Sellers are most specified and are generally in stock for shipment.

⌚ This symbol denotes a product that is engineered to reduce installation and rework time.

For additional product information, please visit www.zurn.com

INTRO
ROOF DRAINS
FLOOR DRAINS
I, P, BW VALVES
INTERCEPTORS
CARRIERS
HYDRANTS
CLEANOUTS
WHA
SS DRAINS
SANI-FLOR
TECH INFO

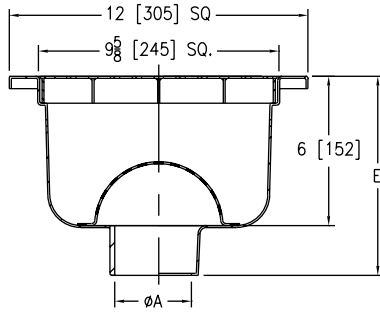
Z1750 12" X 12" SANI-FLOR RECEPTOR WITH 6" SUMP DEPTH



ENGINEERING SPECIFICATION

Zurn Z1750 12" x 12" x 6" deep light-duty Sani-Flor receptor features 16 gage, all Type 304 (CF8) stainless steel, non-tilt, loose set, full grate with 1/2" square openings, and anti-splash stainless steel interior dome strainer.

Dimensions in inches [mm]		Approximate Weight lb [kg]	Grate Open Area sq in [cm ²]
A	E		
Inside Caulk (IC)			
3IC, 4IC	8-9/16 [217]	15 [7]	23 [148]
No-Hub (NH)			
2NH, 3NH, 4NH	8-1/16 [205]	15 [7]	23 [148]
6NH		17 [8]	23 [148]
Neo-Loc (NL)			
3NL, 4NL	7-13/16 [198]	15 [7]	23 [148]



PREFIXES	DESCRIPTION	A PIPE SIZE	LIST PRICE
Z1750*	Type 304 (CF8) Stainless Steel Body	2"	POA
		3"	POA
		4"	POA
		6"	POA
ZM1750	Type 316 (CF8M) Stainless Steel Body	2"	POA
		3"	POA
		4"	POA
		6"	POA

OUTLETS (SPECIFY PIPE SIZE IN INCHES AND TYPE OF OUTLET)				
OUTLET TYPE	PIPE SIZE/OUTLET TYPE	E BODY HT. DIM.	ADD	
IC	Inside Caulk	3IC, 4IC	8-9/16"	POA
NH	No-Hub	2NH, 3NH, 4NH, 6NH	8-1/16"	POA
NL	Neo-Loc	3NL, 4NL	7-13/16"	POA
SUFFIXES			ADD	
-DX	Dex-O-Tex Flange		POA	
-HD	Extra-Heavy-Duty Grate		POA	
-HP	Heel-Proof Grate		POA	
-K	Anchor Flange		POA	
-KC	Anchor Flange with Seepage Holes and Clamp Collar		POA	
-P	1/2" Trap Primer Connection		POA	
-SG	Solid Gasketed Cover		POA	
-TC	Neo-Loc Test Cap Gasket (3", 4" NL Bottom Outlet Only)		POA	
-VP	Vandal-Proof Secured Top		POA	
-Y	Sediment Bucket		POA	
-YS	Suspended Sediment Bucket		POA	
-2	1/2 Grate		N/C	
-3	3/4 Grate		N/C	
-4	Full Grate with 3" Square Opening		POA	
-5	Grate with 4" Dia. X 3-3/4" High Funnel		POA	
-8	Grate with 8-3/8" x 3-5/8 x 3-3/4" High Oval Funnel		POA	
-15	Solid Cover		POA	
-16	1/2 Solid Cover		POA	
-19	Full Hinged Grate		POA	
-20	Full Hinged Solid Cover		POA	

DEDUCT		
-1	Less Grate	POA

BEST SELLERS		LIST PRICE
Z1750-2NH		POA
Z1750-3NH		POA
Z1750-3NH-2-Y		POA
Z1750-3NL		POA
Z1750-3NL-3-KC		POA
Z1750-4NH		POA
Z1750-4NH-2		POA
Z1750-4NH-2-KC		POA

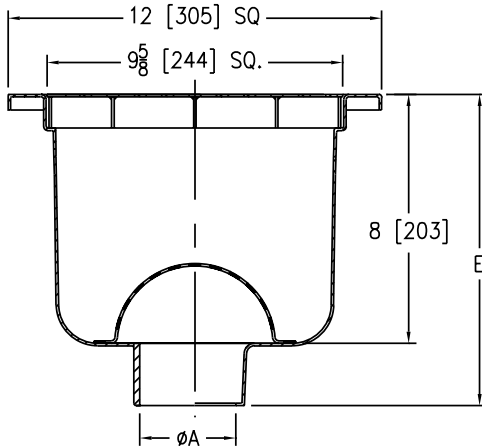
Z1751 12" X 12" SANI-FLOR RECEPTOR WITH 8" SUMP DEPTH



ENGINEERING SPECIFICATION

Zurn Z1751 12" x 12" x 8" deep light-duty Sani-Flor receptor features 16 gage, all Type 304 (CF8) stainless steel, non-tilt, loose set, full grate with 1/2" square openings, and anti-splash stainless steel interior dome strainer.

Dimensions in inches [mm]		Approximate Weight lb [kg]	Grate Open Area sq in [cm ²]
A	E		
Inside Caulk (IC)			
3IC, 4IC	10-9/16 [268]	19 [9]	23 [148]
No-Hub (NH)			
2NH, 3NH, 4NH	10-1/16 [256]	19 [9]	23 [148]
6NH		21 [10]	23 [148]
Neo-Loc (NL)			
2NL, 3NL, 4NL	9-13/16 [249]	19 [9]	23 [148]



PREFIXES	DESCRIPTION	A PIPE SIZE	LIST PRICE
Z1751*	Type 304 (CF8) Stainless Steel Body	2"	POA
		3"	POA
		4"	POA
		6"	POA
ZM1751	Type 316 (CF8M) Stainless Steel Body	2"	POA
		3"	POA
		4"	POA
		6"	POA

OUTLETS (SPECIFY PIPE SIZE IN INCHES AND TYPE OF OUTLET)			
OUTLET TYPE	PIPE SIZE/OUTLET TYPE	E BODY HT. DIM.	ADD
IC	Inside Caulk 3IC, 4IC	10-9/16"	POA
NH	No-Hub 2NH, 3NH, 4NH, 6NH	10-1/16"	POA
NL	Neo-Loc 2NL, 3NL, 4NL	9-13/16"	POA

SUFFIXES	ADD
-DX	Dex-O-Tex Flange POA
-HD	Extra-Heavy-Duty Grate POA
-HP	Heel-Proof Grate POA
-K	Anchor Flange POA
-KC	Anchor Flange with Seepage Holes and Clamp Collar POA
-P	1/2" Trap Primer Connection POA
-SG	Solid Gasketed Cover POA
Ⓢ -TC	Neo-Loc Test Cap Gasket (2", 3", 4" NL Bottom Outlet Only) POA
-VP	Vandal-Proof Secured Top POA
-Y	Sediment Bucket POA
-YS	Suspended Sediment Bucket POA
-2	1/2 Grate N/C
-3	3/4 Grate N/C
-4	Full Grate with 3" Square Opening POA
-5	Grate with 4" Dia. X 3-3/4" High Funnel POA
-8	Grate with 8-3/8" x 3-5/8 x 3-3/4" High Oval Funnel POA
-15	Solid Cover POA
-16	1/2 Solid Cover POA
-19	Full Hinged Grate POA
-20	Full Hinged Solid Cover POA

DEDUCT	
-1	Less Grate POA

BEST SELLERS	LIST PRICE
Z1751-2NH	POA
Z1751-2NH-2	POA
Z1751-3NH-2	POA
Z1751-4NH	POA
Z1751-4NH-2	POA

*Regularly furnished unless otherwise specified.

Items designated as Best Sellers are most specified and are generally in stock for shipment.

Ⓢ This symbol denotes a product that is engineered to reduce installation and rework time.

For additional product information, please visit www.zurn.com

INTRO ROOF DRAINS FLOOR DRAINS I.P. BW VALVES INTERCEPTORS CARRIERS HYDRANTS CLEANOUTS WHA SS DRAINS SANI-FLOR TECH INFO

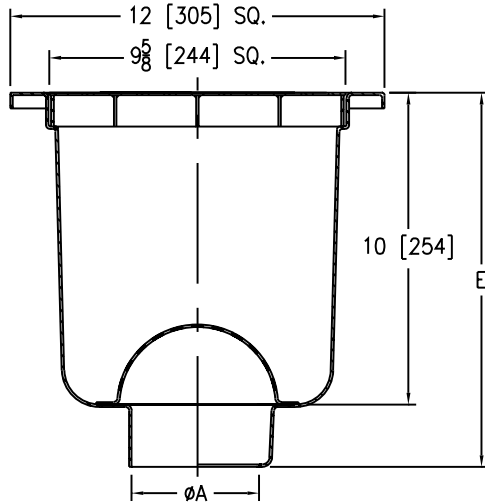
Z1752 12" X 12" SANI-FLOR RECEPTOR WITH 10" SUMP DEPTH



ENGINEERING SPECIFICATION

Zurn Z1752 12" x 12" x 10" deep light-duty Sani-Flor receptor features 16 gage, all Type 304 (CF8) stainless steel, non-tilt, loose set, full grate with 1/2" square openings, and anti-splash stainless steel interior dome strainer.

Dimensions in inches [mm]		Approximate Weight lb [kg]	Grate Open Area sq in [cm ²]
A	E		
No-Hub (NH)			
2NH, 3NH, 4NH	12-1/16 [306]	22 [10]	23 [148]
6NH		23 [10]	23 [148]
Neo-Loc (NL)			
2NL, 3NL, 4NL	11-13/16 [300]	22 [10]	23 [148]



PREFIXES	DESCRIPTION	A PIPE SIZE	LIST PRICE
Z1752*	Type 304 (CF8) Stainless Steel Body	2"	POA
		3"	POA
		4"	POA
		6"	POA
ZM1752	Type 316 (CF8M) Stainless Steel Body	2"	POA
		3"	POA
		4"	POA
		6"	POA

OUTLETS (SPECIFY PIPE SIZE IN INCHES AND TYPE OF OUTLET)

OUTLET TYPE	PIPE SIZE/OUTLET TYPE	E BODY HT. DIM.	ADD	
NH	No-Hub	2NH, 3NH, 4NH, 6NH	12-1/16"	POA
NL	Neo-Loc	2NL, 3NL, 4NL	11-13/16"	POA

SUFFIXES

SUFFIXES	ADD	
-DX	Dex-O-Tex Flange	POA
-HD	Extra-Heavy-Duty Grate	POA
-HP	Heel-Proof Grate	POA
-K	Anchor Flange	POA
-KC	Anchor Flange with Seepage Holes and Clamp Collar	POA
-P	1/2" Trap Primer Connection	POA
-SG	Solid Gasketed Cover	POA
Ⓢ -TC	Neo-Loc Test Cap Gasket (2", 3", 4" NL Bottom Outlet Only)	POA
-VP	Vandal-Proof Secured Top	POA
-Y	Sediment Bucket	POA
-YS	Suspended Sediment Bucket	POA
-2	1/2 Grate	N/C
-3	3/4 Grate	N/C
-4	Full Grate with 3" Square Opening	POA
-5	Grate with 4" Dia. X 3-3/4" High Funnel	POA
-8	Grate with 8-3/8" x 3-5/8 x 3-3/4" High Oval Funnel	POA
-15	Solid Cover	POA
-16	1/2 Solid Cover	POA
-19	Full Hinged Grate	POA
-20	Full Hinged Solid Cover	POA

DEDUCT

-1	Less Grate	POA
----	------------	-----

BEST SELLERS

BEST SELLERS	LIST PRICE
Z1752-2NH-2-KC-YS	POA
Z1752-3NH	POA
Z1752-3NH-2-KC	POA
Z1752-4NH	POA
Z1752-4NL	POA
Z1752-4NL-2-HD	POA

Z1755 13-3/8" SQUARE SANI-FLORECEPTOR 6" SUMP WITH ADJUSTABLE CLAMP FRAME

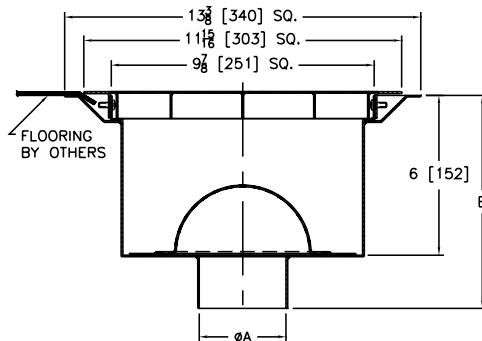


Patented

ENGINEERING SPECIFICATION

Zurn Z1755 13-3/8" square x 6" deep light-duty Sani-Flo receptor features 16 gage, all Type 304 (CF8) fabricated stainless steel, integral flooring clamp frame, and non-tilt loose set, full grate with interior dome strainer for unlevel floor installations.

Dimensions in inches [mm]		Approximate Weight lb [kg]	Grate Open Area sq in [cm ²]
A	E		
No-Hub (NH)			
2NH, 3NH, 4NH	8 [203]	10 [5]	25 [161]



PREFIXES	DESCRIPTION	A PIPE SIZE	LIST PRICE
Z1755*	Type 304 (CF8) Stainless Steel Body	2", 3", 4"	POA
ZM1755	Type 316 (CF8M) Stainless Steel Body	2", 3", 4"	POA

OUTLETS (SPECIFY PIPE SIZE IN INCHES AND TYPE OF OUTLET)

OUTLET TYPE	PIPE SIZE/OUTLET TYPE	E BODY HT. DIM.	ADD	
NH	No-Hub	2NH, 3NH, 4NH	8"	POA

SUFFIXES

SUFFIXES	DESCRIPTION	ADD
-P	1/2" Trap Primer Connection	POA
-2	1/2" Grate	POA
-3	3/4" Grate	POA

BEST SELLERS

LIST PRICE	
Z1755-3NH	POA
Z1755-3NH-2	POA
Z1755-4NH-2	POA

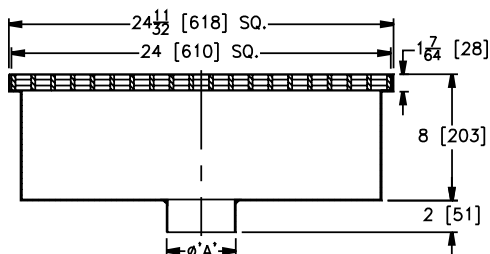
Z1761 24-5/16" SQUARE KETTLE DRAIN WITH 8" SUMP DEPTH



ENGINEERING SPECIFICATION

Zurn ZS1761 24-5/16" x 24-5/16" x 8" deep light-duty square kettle drain features 14 gage, all Type 304 (CF8) stainless steel, and loose set full grate.

Dimensions in inches [mm]		Approximate Weight lb [kg]	Grate Open Area sq in [cm ²]
A Pipe Size			
No-Hub (NH)			
4NH, 6NH, 8NH		72 [33]	425 [2742]



PREFIXES	DESCRIPTION	A PIPE SIZE	LIST PRICE
Z1761	A.R.E. Coated Fabricated Steel Body and Type 304 (CF8) Stainless Steel Grate	4", 6", 8"	POA

ZS1761*	Type 304 (CF8) Stainless Steel Body and Grate	4", 6", 8"	POA
---------	---	------------	-----

ZM1761	Type 316 (CF8M) Stainless Steel Body and Grate	4", 6", 8"	POA
--------	--	------------	-----

OUTLETS (SPECIFY PIPE SIZE IN INCHES AND TYPE OF OUTLET)

OUTLET TYPE	PIPE SIZE/OUTLET TYPE	ADD	
NH	No-Hub	4NH, 6NH, 8NH	POA

SUFFIXES

-PB	Perforated Sediment Bucket	POA
-----	----------------------------	-----

*Regularly furnished unless otherwise specified.

Items designated as Best Sellers are most specified and are generally in stock for shipment.

⌚ This symbol denotes a product that is engineered to reduce installation and rework time.

For additional product information, please visit www.zurn.com

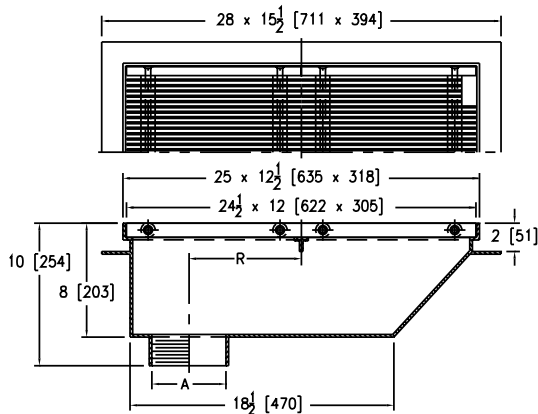
Z1762 25" X 15-1/2" KETTLE DRAIN



ENGINEERING SPECIFICATION

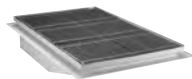
Zurn ZS1762 25" x 15-1/2" kettle drain features Type 304 (CF8) stainless steel fabricated body and stainless steel two-piece grate with 1/8" bars on 3/8" center. One grate section comes with lift hole.

Dimensions in inches [mm]		Approximate Weight lb [kg]	Grate Open Area sq in [cm ²]
A	R		
No-Hub (NH)			
3NH, 4NH	7-7/8 [200]	71 [32]	149 [961]
6NH	6-7/8 [175]		



PREFIXES	DESCRIPTION	A PIPE SIZE	LIST PRICE
Z1762	Acid Resistant Epoxy Coated Steel Body with Stainless Steel Top	3", 4"	POA
		6"	POA
ZS1762*	All Type 304 Fabricated Stainless Steel Body with Stainless Steel	3", 4"	POA
		6"	POA
OUTLETS (SPECIFY PIPE SIZE IN INCHES AND TYPE OF OUTLET)			
OUTLET TYPE	PIPE SIZE/OUTLET TYPE		ADD
NH	No-Hub	3NH, 4NH, 6NH	POA
SUFFIXES			
-SB	Solids Retaining Baffle		N/C

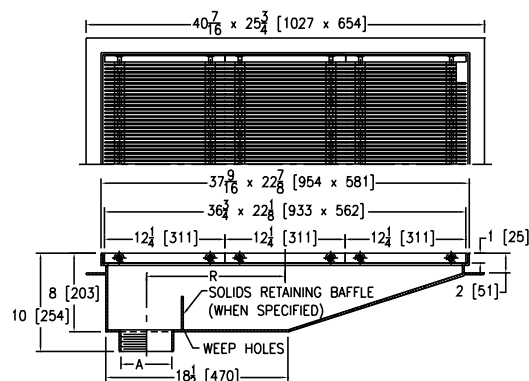
Z1763 37-9/16" X 22-7/8" KETTLE DRAIN



ENGINEERING SPECIFICATION

Zurn ZS1763 37-9/16" x 22-7/8" kettle drain features Type 304 (CF8) stainless steel fabricated body and stainless steel three-piece grate with 1/8" bars on 3/8" center. One grate section comes with lift hole.

Dimensions in inches [mm]		Approximate Weight lb [kg]	Grate Open Area sq in [cm ²]
A	R		
No-Hub (NH)			
3NH, 4NH	14 [356]	125 [57]	420 [2709]
6NH	13 [330]		
8NH	12 [305]		
10NH	11 [279]		
12NH	10 [254]		



PREFIXES	DESCRIPTION	A PIPE SIZE	LIST PRICE
Z1763	Acid Resistant Epoxy Coated Steel Body with Stainless Steel Top	3", 4"	POA
		6"	POA
		8"	POA
		10"	POA
		12"	POA
ZS1763*	All Type 304 Fabricated Stainless Steel Body with Stainless Steel	3", 4"	POA
		6"	POA
		8"	POA
		10"	POA
		12"	POA
OUTLETS (SPECIFY PIPE SIZE IN INCHES AND TYPE OF OUTLET)			
OUTLET TYPE	PIPE SIZE/OUTLET TYPE		ADD
NH	No-Hub	3NH, 4NH, 6NH, 8NH, 10NH, 12NH	POA
SUFFIXES			
-SB	Solids Retaining Baffle		N/C
BEST SELLER			LIST PRICE
ZS1763-4NH			POA

SANI-FLOR RECEPTORS

SANI-FLOR RECEPTORS – MATERIAL SELECTION	324
SANI-FLOR RECEPTORS – OPTIONS AND VARIATIONS	324
Z1900 12" X 12" A.R.E. SANI-FLOR RECEPTOR WITH 6" SUMP DEPTH	325
⌚ Z1900-RL 12" X 12" X 6" REPLACEMENT FLOOR SINK LINER	326
Z1901 12" X 12" A.R.E. SANI-FLOR RECEPTOR WITH 8" SUMP DEPTH	327
⌚ Z1901-RL 12" X 12" X 8" REPLACEMENT FLOOR SINK LINER	328
Z1902 12" X 12" A.R.E. SANI-FLOR RECEPTOR WITH 10" SUMP DEPTH	329
⌚ Z1902-RL 12" X 12" X 10" REPLACEMENT FLOOR SINK LINER	330
⌚ Z1903 SANI-FLOR RECEPTOR INSTALLATION STABILIZER	330
Z1910 8" X 8" A.R.E. SANI-FLOR RECEPTOR WITH 6" SUMP DEPTH	331
⌚ Z1910-RL 8" X 8" X 6" REPLACEMENT FLOOR SINK LINER	332
Z1920 16" X 16" A.R.C. SANI-FLOR RECEPTOR WITH 7" SUMP DEPTH	333
Z1926 16" X 16" A.R.C. SANI-FLOR RECEPTOR WITH 12" SUMP DEPTH	334
Z1930 8" X 4" A.R.C. SANI-FLOR RECEPTOR WITH 4" SUMP DEPTH	335
Z1940 12" X 6" A.R.C. SANI-FLOR RECEPTOR WITH 8" SUMP DEPTH	336
Z1950 12" DIAMETER A.R.E. SANI-FLOR RECEPTOR WITH 8" SUMP DEPTH	337
Z1960 8" DIAMETER A.R.E. SANI-FLOR RECEPTOR WITH 6" SUMP DEPTH	338
Z1970 9" DIAMETER SHALLOW A.R.C. SANI-FLOR RECEPTOR WITH 3" SUMP DEPTH	339
Z1982 12" X 12" STAINLESS STEEL SANI-FLOR CAN WASH DRAIN WITH 8" SUMP DEPTH	340
Z1995 24" X 16" A.R.C. SANI-FLOR RECEPTOR WITH 17" SUMP DEPTH	340

SANI-FLOR RECEPTORS – MATERIAL SELECTION

A.R.C. Acid Resisting Epoxy Coating is a baked-on powder coating which produces a smooth, hard, high gloss finish. This epoxy based coating offers high impact resistance and excellent life expectancy in all drainage applications.

A.R.E. Acid Resisting Porcelain Enamel is a substantially vitreous inorganic coating bonded to metal by fusion at a high temperature above 800°F. This coating offers excellent acid, abrasion, and wear resistance. The coating is extremely hard and is the ultimate for sanitation in drainage application.

SANI-FLOR RECEPTORS – OPTIONS AND VARIATIONS

Zurn Sani-Flor Receptor options are specified as a PREFIX and/or SUFFIX letter or number added to the series designation. Each floor sink in the catalog is listed with its individual Prefix/Suffix variation.

PREFIXES	
Z	Cast iron body with white acid resisting porcelain enamel (A.R.E.) interior and top.
ZN	Cast iron body with white acid resisting porcelain enamel (A.R.E.) interior and nickel bronze top.
SUFFIXES	
-C	Clamp Collar
-DX	Dex-O-Tex Flange
-HD	Stainless Steel Frame with Extra-Heavy-Duty Stainless Steel Grate - Specify in areas where working load exceeds 2000 pounds or where extreme chemical resistance properties are required.
-HP	Heel-Proof Grate
-K	Anchor Flange
-KC	Anchor Flange with Seepage Holes and Clamp Collar
-LD	Less Internal Bottom Dome Strainer
-LS	Less Secondary Strainer
-P	1/2" Threaded Trap Primer Connection (See Z1023)
-S	Secondary Strainer
-T	Square Nickel Bronze Top
-TC	Neo-Loc Test Cap Gasket 2"-4" NL Bottom Outlet Only
-VPS	Vandal-Proof Strainer
-WB	Water Supply Control Box
-1	Less Grate - Receives multiple indirect wastes from either condensate lines, air conditioners or other indirect drainage equipment specifically located in non-traffic areas.
-2	Half Grate - Receives indirect waste as with Suffix -1, but with 1/2 grate opening to easily accept waste from a single direction while providing a finished floor drain top on the opposite side.
-3	Three-Quarter Grate - Receives indirect waste as with Suffix -1, but with 3/4 grate and 1/4 opening to easily accept waste from a single source.
-4	Full Grate with Center Opening - Receives indirect waste as with Suffix -1, but with square center opening to accept waste from multiple directions.
-5	Grate with 4" Diameter x 3-3/4" High Funnel
-6	Grate with 6" Diameter x 6" High Funnel - Receives indirect waste from single pipe using round funnel which is centrally located on grate. Prevents splashing of waste around entire receptor. Can be relocated at job site to meet project requirements.
-7	Grate with 6-3/4" x 3" x 1" High Oval Funnel
-8	Grate with 8-7/8" x 3-5/8" x 3-3/4" High Oval Funnel - Receives indirect waste from a series of pipe discharges using oval funnel which is centrally located on grate. Can be relocated at job site to meet project requirements.
-9	Angle Frame and Grate - Used in food handling facilities incorporating a two-fold purpose. An angle drain provides a sanitary floor drain in an open service area where open half of grate is hidden inside cabinetry to receive an indirect waste discharge. Two-piece construction further enhances the ultimate in sanitation standards.
-11	Vandal-Proof Secured Grate - Prevents removal of grate by unauthorized individuals.
-12	Depressed Aluminum Grate - Specified for areas in restaurants, food markets, taverns, and many non-traffic areas. Grate recess accumulates food particles rather than let them fall into receptor.
-15	Solid Loose Set Cover - Specified when receptor is to be inactive a majority of the time.
-16	Half Solid Loose Set Cover - Same as Suffix -15, but with 1/2 cover open to accept indirect waste.

SUFFIXES	
-17	Three-Quarter Solid Loose Set Cover - Same as Suffix -16, but with 3/4 cover inactive.
-18	Solid Loose Set Cover with Square Center Opening - Same as Suffix -16, but with center opening and balance of cover inactive.
-19	Full Hinged Grate - Specified in light traffic areas where grate removal is prohibited for any length of time.
-23	Aluminum Sediment Bucket - Specified when interception and retention of solids is necessary. Used in food preparation areas.
-25	White Acid Resisting Sediment Bucket - Same as Suffix -23, but with acid resisting finish.
-31	Stainless Mesh Liner for Sediment Bucket - Specified when retention of fine particles is required. Provided with screen having 331 holes per square inch.
-32	Aluminum Dome Strainer
-33	White Acid Resisting Anti-Splash Dome Strainer - Use in areas where harsh chemicals or substances enter receptor.
-34	Nickel Bronze Anti-Splash Dome Strainer



-1 Less Grate



-2 Half Grate



-3 Three-Quarter Grate



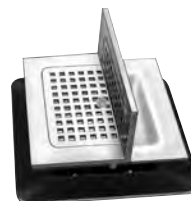
-4 Full Grate with Center Opening



-5, -6 Grate with Round Funnel



-7, -8 Grate with Oval Funnel



-9 Angle Frame and Grate



-12 Depressed Aluminum Grate

Z1900 12" X 12" A.R.E. SANI-FLOR RECEPTOR WITH 6" SUMP DEPTH

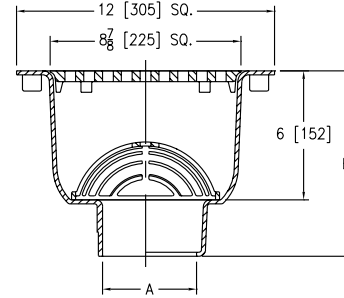


ENGINEERING SPECIFICATION

Zurn Z1900 Sani-Flor receptor, 12" x 12" x 6" features deep cast iron body, square light-duty grate with 1/2" slotted openings, and white acid resisting porcelain enamel interior and top – complete with white ABS anti-splash interior bottom dome strainer.

NOTE

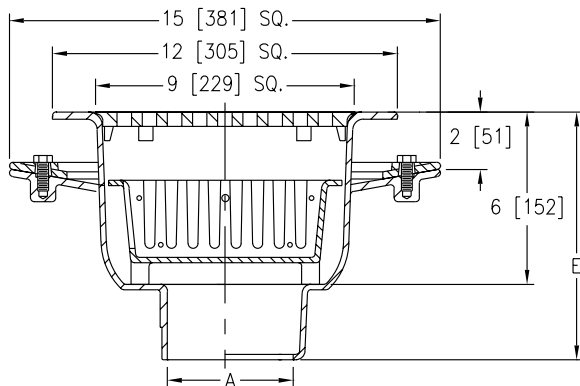
†Add 1/2" to 12" dimension when specifying ZN1900 or ZS1900.



Dimensions in inches [mm]				Approximate Weight lb [kg]	Grate Open Area sq in [cm ²]
A Pipe Size/Outlet Type	E Body Height Dimensions		Z		
Inside Caulk (IC)					
3IC, 4IC	8-5/8 [219]	9-1/8 [232]		32 [15]	31 [200]
No-Hub (NH)					
2NH, 3NH, 4NH	8-5/8 [219]	9-1/8 [232]		32 [15]	31 [200]
Neo-Loc (NL)					
2NL, 3NL, 4NL	8 [203]	8-1/2 [216]		32 [15]	31 [200]

PREFIXES	DESCRIPTION	A PIPE SIZE	Z (A.R.E.)	ZN (N.B.)	ZS
Z1900*	Cast Iron Body with A.R.E. Interior and Top	2", 3", 4"	2,640.00	-	-
ZN1900†	Cast Iron Body with White A.R.E. Interior and Top, 12-1/2" Square N.B. Frame and Full Grate with 1/2" Square Openings	2", 3", 4"	-	3,573.00	-
ZS1900†	Cast Iron Body with White A.R.E. Interior and Top, 12-1/2" Square Stainless Steel Frame and Full Grate with 1/2" Openings	2", 3", 4"	-	-	5,415.00

OUTLETS (SPECIFY PIPE SIZE IN INCHES AND TYPE OF OUTLET)					
OUTLET TYPE		PIPE SIZE/OUTLET TYPE			ADD
IC	Inside Caulk	3IC, 4IC	N/C	N/C	N/C
NH	No-Hub	2NH, 3NH, 4NH	N/C	N/C	N/C
NL	Neo-Loc	2NL, 3NL, 4NL	N/C	N/C	N/C



-KC-23 Options Shown

SUFFIXES		Z (A.R.E.)	ZN (N.B.)	ADD ZS
-DX	Dex-O-Tex Flange (ZN Only)	N/A	1,432.00	N/A
-HD	Stainless Steel Frame with Extra-Heavy-Duty Stainless Steel Grate (ZS Only)	N/A	N/A	1,500.00
-HP	Heel-Proof Grate (ZN Only)	N/A	872.00	N/A
-K	Anchor Flange	485.00	485.00	485.00
-KC	Anchor Flange with Seepage Holes and Clamp Collar	727.00	727.00	727.00
-P	1/2" Trap Primer Connection (See Z1023)	245.00	245.00	245.00
Ⓛ -SA	Stabilizer Assembly (See Z1903)	260.00	260.00	260.00
Ⓛ -TC	Neo-Loc Test Cap Gasket (2", 3", 4" NL Bottom Outlet Only)	33.00	33.00	33.00
-VPS	Vandal-Proof Strainer (NH outlet only)	392.00	392.00	392.00
-2	1/2 Grate	N/C	N/C	N/C
-3	3/4 Grate	N/C	N/C	N/C
-4	Full Grate with Center Opening (2" Round for Z and 3-1/32" Square for ZN or ZS)	224.00	224.00	224.00
-6	Grate with 6" Dia. x 6" High Funnel	613.00	785.00	1,946.00
-8	Grate with 8-7/8" x 3-5/8" x 3-3/4" High Oval Funnel	665.00	1,106.00	3,033.00
-11	Vandal-Proof Secured Grate (ZN and ZS Only)	N/A	101.00	101.00
-15	Solid Loose Set Cover (Z and ZN Only)	147.00	287.00	N/A
-19	Full Hinged Grate (ZN Only)	N/A	441.00	N/A
-23	Aluminum Bucket	399.00	399.00	399.00
-25	White A.R.C. Bucket	748.00	748.00	748.00
-31	Stainless Steel Mesh Liner for Bucket	592.00	592.00	592.00
-32	Aluminum Dome Strainer	N/C	N/C	N/C
-33	White A.R.C. Anti-Splash Bottom Dome Strainer	432.00	432.00	432.00

		Z (A.R.E.)	ZN (N.B.)	DEDUCT ZS
-LD	Less Bottom Dome Strainer	- 79.00	- 79.00	- 79.00
-1	Less Grate	- 287.00	- 614.00	- 1,540.00

BEST SELLERS	LIST PRICE
Z1900-2NH-2	2,640.00
ZN1900-2NH-2	3,573.00
ZN1900-2NH-2-33	4,005.00
Z1900-2NL-2	2,640.00
Z1900-3NH-2	2,640.00
Z1900-3NH-33-KC	3,799.00
ZN1900-3NH-2-32	3,573.00
Z1900-3NL-2	2,640.00
Z1900-3NL-3	2,640.00
ZN1900-3NL	3,573.00
Z1900-4NH-2	2,640.00
ZN1900-4NL	3,573.00

*Regularly furnished unless otherwise specified.

Items designated as Best Sellers are most specified and are generally in stock for shipment.

Ⓛ This symbol denotes a product that is engineered to reduce installation and rework time.

For additional product information, please visit www.zurn.com

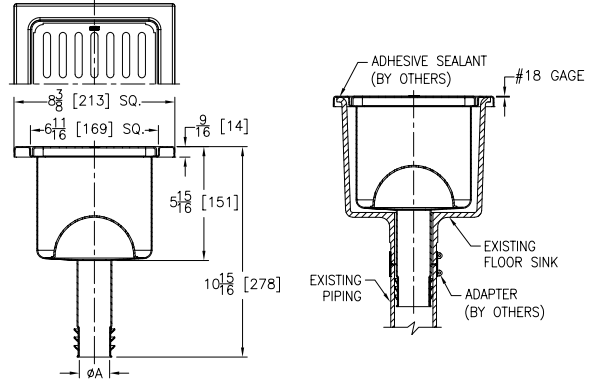
INTRO
ROOF DRAINS
FLOOR DRAINS
I, P, BW VALVES
INTERCEPTORS
CARRIERS
HYDRANTS
CLEANOUTS
WHA
SS DRAINS
SANI-FLOR
TECH INFO

🕒 Z1900-RL 12" X 12" X 6" REPLACEMENT FLOOR SINK LINER



ENGINEERING SPECIFICATION

Zurn Z1900-RL 12" x 12" x 6" deep replacement floor sink liner features 18 gage, all Type 304 (CF8) fabricated stainless steel, internal pipe gasket seal, light-duty, slotted, loose set grate, and perforated removable dome strainer.



Dimensions in inches [mm]	Approximate Weight lb [kg]	Grate Open Area sq in [cm ²]
A Pipe Size		
Gasket Seal		
2 [51], 3 [76], 4 [102]	6 [3]	21.1 [136]

PREFIXES	DESCRIPTION	A PIPE SIZE	LIST PRICE
Z1900*	All Type 304 (CF8) Fabricated Stainless Steel	2", 3" 4"	2,484.00
OUTLETS (SPECIFY PIPE SIZE IN INCHES AND TYPE OF OUTLET)			
OUTLET TYPE	PIPE SIZE/OUTLET TYPE		ADD
RL	Gasket Seal	RL2, RL3, RL4	N/C
SUFFIXES			
			ADD
-2	1/2 Grate		N/C
-3	3/4 Grate		N/C
-Y	Sediment Bucket		281.00
			DEDUCT
-1	Less Grate		- 189.00
BEST SELLERS			LIST PRICE
Z1900-RL2			2,484.00
Z1900-RL2-2			2,484.00
Z1900-RL3			2,484.00
Z1900-RL3-2			2,484.00
Z1900-RL4-2			2,484.00

Z1901 12" X 12" A.R.E. SANI-FLOR RECEPTOR WITH 8" SUMP DEPTH

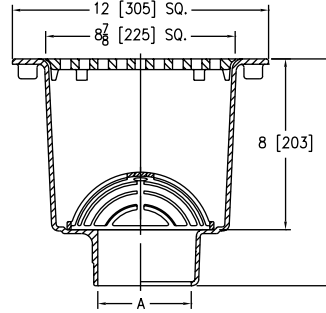


ENGINEERING SPECIFICATION

Zurn Z1901 Sani-Flor receptor features 12" x 12" x 8" deep cast iron body, square, light-duty grate with 1/2" slotted openings, and white acid resisting porcelain enamel interior and top – complete with white ABS anti-splash interior bottom dome strainer.

NOTE

†Add 1/2" to 12" dimension when specifying ZN1901 or ZS1901.



Dimensions in inches [mm]				
A Pipe Size/ Outlet Type	E Body Height Dimensions		Approximate Weight lb [kg]	Grate Open Area sq in [cm ²]
	Z	ZN/ZS		
Inside Caulk (IC)				
3IC, 4IC	10-5/8 [270]	11-1/8 [283]	34 [15]	31 [200]
No-Hub (NH)				
2NH, 3NH, 4NH	10-5/8 [270]	11-1/8 [283]	34 [15]	31 [200]
Neo-Loc (NL)				
2NL, 3NL, 4NL	10 [254]	10-1/2 [267]	34 [15]	31 [200]

PREFIXES	DESCRIPTION	A PIPE SIZE	Z (A.R.E.)	ZN (N.B.)	ZS
Z1901*	Cast Iron Body with White A.R.E. Interior and Top	2", 3", 4"	2,779.00	-	-
ZN1901†	Cast Iron Body with White A.R.E. Interior and Top, 12-1/2" Square N.B. Frame and Full Grate with 1/2" Square Openings	2", 3", 4"	-	3,710.00	-
ZS1901†	Cast Iron Body with White A.R.E. Interior and Top, 12-1/2" Square Stainless Steel Frame and Full Grate with 1/2" Square Openings	2", 3", 4"	-	-	5,548.00

OUTLETS (SPECIFY PIPE SIZE IN INCHES AND TYPE OF OUTLET)					
OUTLET TYPE		PIPE SIZE/ OUTLET TYPE			ADD
IC	Inside Caulk	3IC, 4IC	N/C	N/C	N/C
NH	No-Hub	2NH, 3NH, 4NH	N/C	N/C	N/C
NL	Neo-Loc	2NL, 3NL, 4NL	N/C	N/C	N/C

SUFFIXES		Z (A.R.E.)	ZN (N.B.)	ZS
-DX	Dex-O-Tex Flange (ZN Only)	N/A	1,432.00	N/A
-HD	Stainless Steel Frame with Extra-Heavy-Duty Stainless Steel Grate (ZS Only)	N/A	N/A	1,500.00
-HP	Heel-Proof Grate (ZN Only)	N/A	872.00	N/A
-K	Anchor Flange	485.00	485.00	485.00
-KC	Anchor Flange with Seepage Holes and Clamp Collar	727.00	727.00	727.00
-P	1/2" Trap Primer Connection (See Z1023)	245.00	245.00	245.00
Ⓢ -TC	Neo-Loc Test Cap Gasket (2", 3", 4" NL Bottom Outlet Only)	33.00	33.00	33.00
-VPS	Vandal-Proof Strainer (NH outlet only)	392.00	392.00	392.00
-2	1/2 Grate	N/C	N/C	N/C
-3	3/4 Grate	N/C	N/C	N/C
-4	Full Grate with Center Opening (2" Round for Z and 3-1/32" Square for ZN or ZS)	224.00	224.00	224.00
-6	Grate with 6" Dia. x 6" High Funnel	613.00	785.00	1,946.00
-8	Grate with 8-7/8" x 3-5/8" x 3-3/4" High Oval Funnel	665.00	1,106.00	3,033.00
-11	Vandal-Proof Secured Grate (ZN and ZS Only)	N/A	101.00	101.00
-15	Solid Loose Set Cover (Z and ZN Only)	147.00	287.00	N/A
-19	Full Hinged Grate (ZN Only)	N/A	441.00	N/A
-23	Aluminum Bucket	399.00	399.00	399.00
-25	White A.R.C. Bucket	748.00	748.00	748.00
-31	Stainless Steel Mesh Liner for Bucket	592.00	592.00	592.00
-32	Aluminum Dome Strainer	N/C	N/C	N/C
-33	White A.R.C. Anti-Splash Bottom Dome Strainer	432.00	432.00	432.00

		Z (A.R.E.)	ZN (N.B.)	ZS
-LD	Less Bottom Dome Strainer	- 79.00	- 79.00	- 79.00
-1	Less Grate	- 287.00	- 614.00	- 1,540.00

BEST SELLERS	LIST PRICE
Z1901-2NH-2	2,779.00
Z1901-2NH-2-32	2,779.00
Z1901-3NH	2,779.00
Z1901-3NH-2	2,779.00
Z1901-3NH-2-25	3,527.00
ZN1901-3NH-2	3,710.00
ZN1901-3NH-2-33-KC	4,869.00
Z1901-3NL	2,779.00
Z1901-3NL-2-32	2,779.00
ZN1901-3NL-2	3,710.00
Z1901-4NH-2	2,779.00
ZN1901-4NH-2	3,710.00
Z1901-4NL	2,779.00
Z1901-4NL-2	2,779.00
ZN1901-4NL-2	3,710.00

*Regularly furnished unless otherwise specified.

Items designated as Best Sellers are most specified and are generally in stock for shipment.

Ⓢ This symbol denotes a product that is engineered to reduce installation and rework time.

For additional product information, please visit www.zurn.com

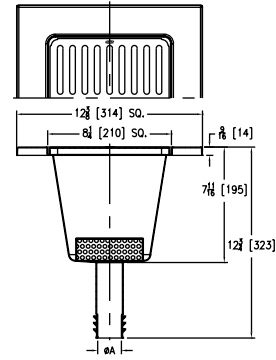
INTRO
ROOF DRAINS
FLOOR DRAINS
I.P. BW VALVES
INTERCEPTORS
CARRIERS
HYDRANTS
CLEANOUTS
WHA
SS DRAINS
SANI-FLOR
TECH INFO

🕒 **Z1901-RL 12" X 12" X 8" REPLACEMENT FLOOR SINK LINER**



ENGINEERING SPECIFICATION

Zurn Z1901-RL 12" x 12" x 8" deep replacement floor sink liner features 18 gage, all Type 304 (CF8) fabricated stainless steel, internal pipe gasket seal, light-duty, slotted, loose set grate, and perforated removable dome strainer.



A Pipe Size inches [mm]	Approximate Weight lb [kg]	Grate Open Area sq in [cm ²]
Gasket Seal		
2 [51], 3 [76], 4 [102]	7 [3]	21.7 [140]

PREFIXES	DESCRIPTION	A PIPE SIZE	LIST PRICE
Z1901*	All Type 304 (CF8) Fabricated Stainless Steel	2", 3", 4"	2,665.00
OUTLETS (SPECIFY PIPE SIZE IN INCHES AND TYPE OF OUTLET)			
OUTLET TYPE	PIPE SIZE/OUTLET TYPE		ADD
RL	Gasket Seal	RL2, RL3, RL4	N/C
SUFFIXES			
			ADD
-2	1/2 Grate		N/C
-3	3/4 Grate		N/C
-Y	Sediment Bucket		281.00
			DEDUCT
-1	Less Grate		- 189.00

INTRO
 ROOF DRAINS
 FLOOR DRAINS
 T, P, BW VALVES
 INTERCEPTORS
 CARRIERS
 HYDRANTS
 CLEANOUTS
 WHA
 SS DRAINS
 SANI-FLOOR
 TECH INFO

Z1902 12" X 12" A.R.E. SANI-FLOR RECEPTOR WITH 10" SUMP DEPTH

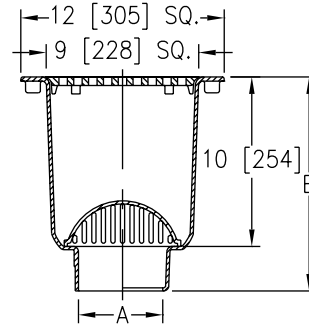


ENGINEERING SPECIFICATION

Zurn Z1902 Sani-Flor receptor features 12" x 12" x 10" deep cast iron body, square, light-duty grate with 1/2" slotted openings, and white acid resisting porcelain enamel interior and top – complete with white ABS anti-splash interior bottom dome strainer.

NOTE

†Add 1/2" to 12" dimension when specifying ZN1902 or ZS1902.



Dimensions in inches [mm]				Approximate Weight lb [kg]	Grate Open Area sq in [cm ²]
A Pipe Size/ Outlet Type	E Body Height Dimensions		Z		
Inside Caulk (IC)					
3IC, 4IC	12-5/8 [321]	13-1/8 [333]	36 [16]	31 [200]	
No-Hub (NH)					
2NH, 3NH, 4NH	12-5/8 [321]	13-1/8 [333]	36 [16]	31 [200]	
Neo-Loc (NL)					
2NL, 3NL, 4NL	12 [305]	12-1/2 [318]	36 [16]	31 [200]	

PREFIXES	DESCRIPTION	A PIPE SIZE	Z (A.R.E.)	ZN (N.B.)	ZS
Z1902*	Cast Iron Body with White A.R.E. Interior and Top	2", 3", 4"	2,937.00	-	-
ZN1902†	Cast Iron Body with White A.R.E. Interior and Top, 12-1/2" Square N.B. Frame and Full Grate with 1/2" Square Openings	2", 3", 4"	-	3,866.00	-
ZS1902†	Cast Iron Body with White A.R.E. Interior and Top, 12-1/2" Square Stainless Steel Frame and Full Grate with 1/2" Square Openings	2", 3", 4"	-	-	5,706.00

OUTLETS (SPECIFY PIPE SIZE IN INCHES AND TYPE OF OUTLET)					
OUTLET TYPE		PIPE SIZE/ OUTLET TYPE			ADD
IC	Inside Caulk	3IC, 4IC	N/C	N/C	N/C
NH	No-Hub	2NH, 3NH, 4NH	N/C	N/C	N/C
NL	Neo-Loc	2NL, 3NL, 4NL	N/C	N/C	N/C

SUFFIXES		ADD		
		Z (A.R.E.)	ZN (N.B.)	ZS
-DX	Dex-O-Tex Flange (ZN Only)	N/A	1,432.00	N/A
-HD	Stainless Steel Frame with Extra-Heavy-Duty Stainless Steel Grate (ZS Only)	N/A	N/A	1,500.00
-HP	Heel-Proof Grate (ZN Only)	N/A	872.00	N/A
-K	Anchor Flange	485.00	485.00	485.00
-KC	Anchor Flange with Seepage Holes and Clamp Collar	727.00	727.00	727.00
-P	1/2" Trap Primer Connection (See Z1023)	245.00	245.00	245.00
-SA	Stabilizer Assembly (See Z1903)	260.00	260.00	260.00
Ⓛ -TC	Neo-Loc Test Cap Gasket (2", 3", 4" NL Bottom Outlet Only)	33.00	33.00	33.00
-VPS	Vandal-Proof Strainer (NH outlet only)	392.00	392.00	392.00
-2	1/2 Grate	N/C	N/C	N/C
-3	3/4 Grate	N/C	N/C	N/C
-4	Full Grate with Center Opening (2" Round for Z and 3-1/32" Square for ZN or ZS)	224.00	224.00	224.00
-6	Grate with 6" Dia. x 6" High Funnel	613.00	785.00	1,946.00
-8	Grate with 8-7/8" x 3-5/8" x 3-3/4" High Oval Funnel	665.00	1,106.00	3,033.00
-11	Vandal-Proof Secured Grate (ZN and ZS Only)	N/A	101.00	101.00
-15	Solid Loose Set Cover (Z and ZN Only)	147.00	287.00	N/A
-19	Full Hinged Grate (ZN Only)	N/A	441.00	N/A
-23	Aluminum Bucket	399.00	399.00	399.00
-25	White A.R.C. Bucket	748.00	748.00	748.00
-31	Stainless Steel Mesh Liner for Bucket	592.00	592.00	592.00
-32	Aluminum Dome Strainer	N/C	N/C	N/C
-33	White A.R.C. Anti-Splash Bottom Dome Strainer	432.00	432.00	432.00

		DEDUCT		
		Z (A.R.E.)	ZN (N.B.)	ZS
-LD	Less Bottom Dome Strainer	- 79.00	- 79.00	- 79.00
-1	Less Grate	- 287.00	- 614.00	- 1,540.00

BEST SELLERS	LIST PRICE
Z1902-2NH-2	2,937.00
Z1902-3NH	2,937.00
Z1902-3NH-2	2,937.00
ZN1902-3NH-2-23-KC	4,992.00
Z1902-3NL	2,937.00
Z1902-3NL-2	2,937.00
Z1902-4NH-2	2,937.00
Z1902-4NH-K	3,422.00
ZN1902-4NH-2	3,866.00
ZN1902-4NH-KC	4,593.00
Z1902-4NL	2,937.00
Z1902-4NL-2	2,937.00

*Regularly furnished unless otherwise specified.

Items designated as Best Sellers are most specified and are generally in stock for shipment.

Ⓛ This symbol denotes a product that is engineered to reduce installation and rework time.

For additional product information, please visit www.zurn.com

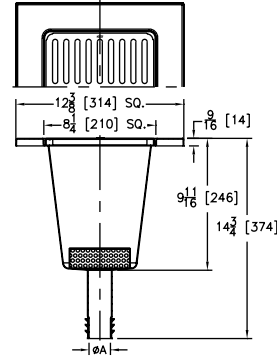
INTRO
ROOF DRAINS
FLOOR DRAINS
I, P, BW VALVES
INTERCEPTORS
CARRIERS
HYDRANTS
CLEANOUTS
WHA
SS DRAINS
SANI-FLOR
TECH INFO

🕒 Z1902-RL 12" X 12" X 10" REPLACEMENT FLOOR SINK LINER



ENGINEERING SPECIFICATION

Zurn Z1902-RL 12" x 12" x 10" deep replacement floor sink liner features 18 gage, all Type 304 (CF8) fabricated stainless steel, internal pipe gasket seal, light-duty, slotted, loose set grate, and perforated removable dome strainer.



A Pipe Size inches [mm]	Approximate Weight lb [kg]	Grate Open Area sq in [cm ²]
Gasket Seal		
2 [51], 3 [76], 4 [102]	8 [4]	21.7 [140]

PREFIXES	DESCRIPTION	A PIPE SIZE	LIST PRICE
Z1902*	All Type 304 (CF8) Fabricated Stainless Steel	2", 3", 4"	2,866.00
OUTLETS (SPECIFY PIPE SIZE IN INCHES AND TYPE OF OUTLET)			
OUTLET TYPE	PIPE SIZE/OUTLET TYPE		ADD
RL	Gasket Seal	RL2, RL3, RL4	N/C
SUFFIXES			
ADD			
-2	1/2 Grate		N/C
-3	3/4 Grate		N/C
-Y	Sediment Bucket		281.00
DEDUCT			
-1	Less Grate		-189.00

🕒 Z1903 SANI-FLOOR RECEPTOR INSTALLATION STABILIZER



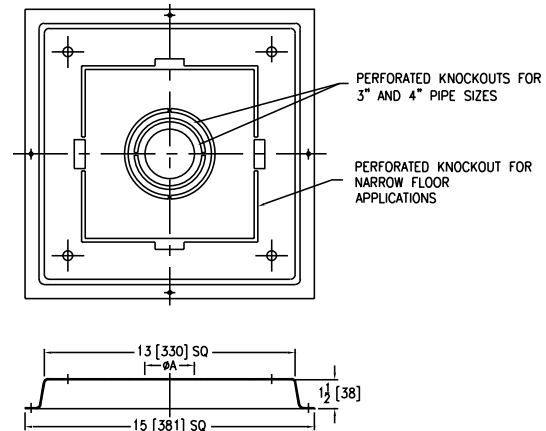
Patented

ENGINEERING SPECIFICATION

Zurn Z1903 Sani-Floor receptor installation stabilizer features a 16-gage, galvanized steel plate with variable pipe opening, four support stud holes, and four nail holes. Comes complete with hardware bag containing four 3/8"-16 x 12" long studs, eight 3/8"-16 flange locknuts and coverplate with hole for standard 2" pipe size and perforated knockouts for 3" and 4" pipe connections. (For use with Z1900, Z1901, and Z1902 Sani-Floor receptors.)

NOTE

Stabilizer plate may be used without coverplate for narrow floor applications where the drain body will be recessed into stabilizer plate.



Dimensions in inches [mm]	
Pipe Size	A Diameter
2 [51]	2-9/16 [65]
3 [76]	3-11/16 [94]
4 [102]	4-11/16 [119]

PREFIXES	DESCRIPTION	PIPE SIZE	LIST PRICE
Z1903*	Sani-Floor Receptor Installation Stabilizer	2", 3" 4"	260.00

Z1910 8" X 8" A.R.E. SANI-FLORECEPTOR WITH 6" SUMP DEPTH

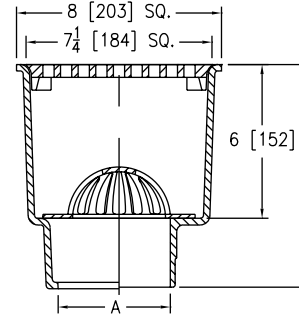


ENGINEERING SPECIFICATION

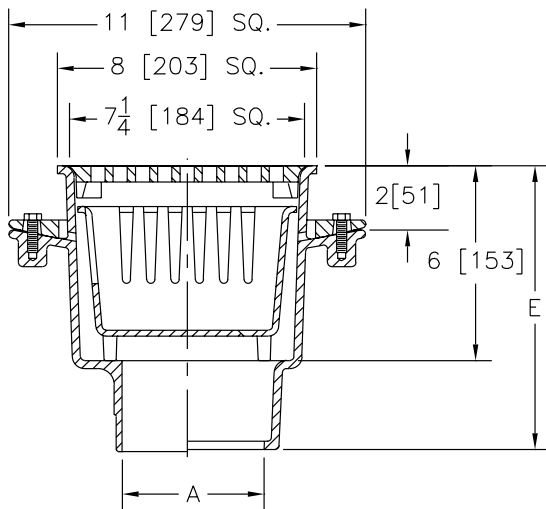
Zurn Z1910 Sani-Floreceptor features 8" x 8" x 6" deep cast iron body, square medium-duty grate with 7/16" slotted openings, and white acid resisting porcelain enamel interior and top - complete with white ABS anti-splash interior bottom dome strainer.

NOTE

+Add 1/2" to 8" dimension when specifying ZN1910.



Dimensions in inches [mm]				Approximate Weight lb [kg]	Grate Open Area sq in [cm ²]
A Pipe Size/Outlet Type	E Body Height Dimensions		Z		
Inside Caulk					
3IC, 4IC	8-3/4 [222]	9-1/4 [235]	25 [11]	19 [123]	
No-Hub (NH)					
2NH, 3NH, 4NH	8-5/8 [219]	9-1/8 [232]	25 [11]	19 [123]	
Neo-Loc (NL)					
2NL, 3NL, 4NL	8 [203]	8-1/2 [216]	25 [11]	19 [123]	



-KC-23 Options Shown

PREFIXES	DESCRIPTION	A PIPE SIZE	Z (A.R.E.)	ZN (N.B.)
Z1910*	Cast Iron Body with White A.R.E. Interior and Top	2", 3" 4"	1,972.00	-
ZN1910†	Cast Iron Body with White A.R.E. Interior and Top, 8-9/16" Square N.B. Frame, and Full Grate with 5/16" Square Openings	2", 3" 4"	-	2,501.00

OUTLETS (SPECIFY PIPE SIZE IN INCHES AND TYPE OF OUTLET)				
OUTLET TYPE		PIPE SIZE/OUTLET TYPE	Z (A.R.E.)	ZN (N.B.)
IC	Inside Caulk	3IC, 4IC	N/C	N/C
NH	No-Hub	2NH, 3NH, 4NH	N/C	N/C
NL	Neo-Loc	2NL, 3NL, 4NL	N/C	N/C

SUFFIXES				
			Z (A.R.E.)	ZN (N.B.)
-DX	Dex-O-Tex Flange (ZN Only)		N/A	1,217.00
-K	Anchor Flange		233.00	233.00
-KC	Anchor Flange with Seepage Holes and Clamp Collar		425.00	425.00
-P	1/2" Trap Primer Connection (See Z1023)		245.00	245.00
Ⓢ -TC	Neo-Loc Test Cap Gasket (2", 3", 4" NL Bottom Outlet Only)		33.00	33.00
-2	1/2 Grate		N/C	N/C
-3	3/4 Grate		N/C	N/C
-4	Full Grate with Square Center Opening		224.00	224.00
-6	Grate with 6" Dia. x 6" High Funnel		613.00	785.00
-8	Grate with 8-7/8" x 3-5/8" x 3-3/4" High Oval Funnel		665.00	1,097.00
-11	Vandal-Proof Secured Grate (ZN only)		N/A	96.00
-15	Solid Loose Set Cover		124.00	216.00
-19	Full Hinged Grate (ZN only)		N/A	441.00
-23	Aluminum Bucket		251.00	251.00
-25	White A.R.C. Bucket		543.00	543.00
-31	Stainless Steel Mesh Liner for Bucket		592.00	592.00
-32	Aluminum Dome Strainer		N/C	N/C
-33	White A.R.C. Anti-Splash Bottom Dome Strainer		399.00	399.00

DEDUCT				
			Z (A.R.E.)	ZN (N.B.)
-LD	Less Bottom Dome Strainer		- 79.00	- 79.00
-1	Less Grate		- 245.00	- 381.00

BEST SELLERS		LIST PRICE
Z1910-2NH		1,972.00
Z1910-2NH-2		1,972.00
Z1910-3NH-2		1,972.00
Z1910-3NH-2-25		2,515.00
ZN1910-3NH-2		2,501.00
ZN1910-3NH-2-23		2,752.00
Z1910-3NL		1,972.00
Z1910-3NL-2		1,972.00
ZN1910-3NL-2-32		2,501.00
Z1910-4NH-2		1,972.00
Z1910-4NL-2		1,972.00

*Regularly furnished unless otherwise specified.

Items designated as Best Sellers are most specified and are generally in stock for shipment.

Ⓢ This symbol denotes a product that is engineered to reduce installation and rework time.

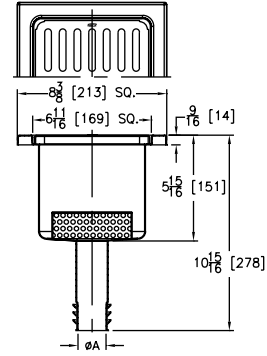
For additional product information, please visit www.zurn.com

🕒 Z1910-RL 8" X 8" X 6" REPLACEMENT FLOOR SINK LINER



ENGINEERING SPECIFICATION

Zurn Z1910-RL 8" x 8" x 6" deep replacement floor sink liner features 18 gage, all Type 304 (CF8) fabricated stainless steel, internal pipe gasket seal, light-duty, slotted, loose set grate, and perforated removable dome strainer.



A Pipe Size inches [mm]	Approximate Weight lb [kg]	Grate Open Area sq in [cm ²]
Gasket Seal		
2 [51], 3 [76], 4 [102]	5 [2]	12.2 [79]

PREFIXES	DESCRIPTION	A PIPE SIZE	LIST PRICE
Z1910*	All Type 304 (CF8) Fabricated Stainless Steel	2", 3", 4"	2,060.00
OUTLETS (SPECIFY PIPE SIZE IN INCHES AND TYPE OF OUTLET)			
OUTLET TYPE		PIPE SIZE/OUTLET TYPE	ADD
RL	Gasket Seal	RL2, RL3, RL4	N/C
SUFFIXES			
			ADD
-2	1/2 Grate		N/C
-3	3/4 Grate		N/C
-Y	Sediment Bucket		281.00
DEDUCT			
-1	Less Grate		- 189.00

Z1920 16" X 16" A.R.C. SANI-FLOR RECEPTOR WITH 7" SUMP DEPTH

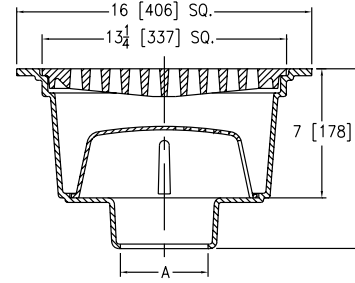


ENGINEERING SPECIFICATION

Zurn Z1920 Sani-Flor receptor features 16" x 16" x 7" deep cast iron body, square, slotted heavy-duty grate, and white acid resisting epoxy coated interior and top – complete with aluminum anti-splash interior bottom dome strainer.

NOTE

†Add 3/4" to 16" dimension when specifying ZN1920.



Dimensions in inches [mm]			Approximate Weight lb [kg]	Grate Open Area sq in [cm ²]
A Pipe Size/ Outlet Type	E Body Height Dimensions			
		Z	ZN	
Inside Caulk (IC)				
2IC, 3IC, 4IC, 6IC	9-3/4 [248]	9-15/16 [252]	81 [37]	54 [348]
8IC	10-1/4 [260]	10-7/16 [265]		
Neo-Loc (NL)				
2NL, 3NL, 4NL	9 [229]	9-3/16 [233]	81 [37]	54 [348]

PREFIXES	DESCRIPTION	A PIPE SIZE	Z (A.R.C.)	ZN (N.B.)
Z1920*	Cast Iron Body with White A.R.C. Interior and Top	2", 3" 4", 6", 8"	5,395.00	-
ZN1920†	Cast Iron Body with White A.R.C. Interior and Top, 16-3/4" Square N.B. Frame, and Full Slotted Grate	2", 3" 4", 6", 8"	-	6,915.00

OUTLETS (SPECIFY PIPE SIZE IN INCHES AND TYPE OF OUTLET)				
OUTLET TYPE		PIPE SIZE/OUTLET TYPE	Z (A.R.C.)	ZN (N.B.)
IC	Inside Caulk	2IC, 3IC, 4IC, 6IC, 8IC	N/C	N/C
NL	Neo-Loc	2NL, 3NL, 4NL	N/C	N/C

SUFFIXES		Z (A.R.C.)	ZN (N.B.)
-K	Anchor Flange	462.00	462.00
-KC	Anchor Flange with Seepage Holes and Clamp Collar	1,162.00	1,162.00
-P	1/2" Trap Primer Connection	245.00	245.00
-TC	Neo-Loc Test Cap Gasket (2", 3", 4" NL Bottom Outlet Only)	33.00	33.00
-2	1/2 Grate	N/C	N/C
-3	3/4 Grate	N/C	N/C
-4	Full Grate with Square Center Opening	224.00	224.00
-6	Grate with 6" Dia. x 6" High Funnel	613.00	785.00
-8	Grate with 8-7/8" x 3-5/8" x 3-3/4" High Oval Funnel	665.00	1,097.00
-11	Vandal-Proof Secured Grate	186.00	186.00
-15	Solid Loose Set Cover	189.00	771.00
-23	Aluminum Bucket	1,037.00	1,037.00
-25	White A.R.C. Bucket	2,912.00	2,912.00
-31	Stainless Steel Mesh Liner for Bucket	1,175.00	1,175.00
-33	White A.R.C. Anti-Splash Bottom Dome Strainer	399.00	399.00

DEDUCT		Z (A.R.C.)	ZN (N.B.)
-LD	Less Bottom Dome Strainer	- 79.00	- 79.00
-1	Less Grate	- 476.00	- 1,294.00

BEST SELLERS	LIST PRICE
Z1920-3NL	5,395.00
Z1920-3NL-P	5,640.00
Z1920-4NL	5,395.00
Z1920-4NL-2	5,395.00
Z1920-4NL-23	6,432.00
ZN1920-4NL-2-23	7,952.00

*Regularly furnished unless otherwise specified.

Items designated as Best Sellers are most specified and are generally in stock for shipment.

⌚ This symbol denotes a product that is engineered to reduce installation and rework time.

For additional product information, please visit www.zurn.com

Z1926 16" X 16" A.R.C. SANI-FLOR RECEPTOR WITH 12" SUMP DEPTH

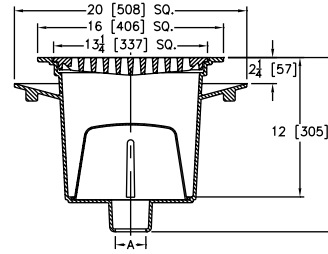


ENGINEERING SPECIFICATION

Zurn Z1926 Sani-Flor receptor features 16" x 16" x 12" deep cast iron body, seepage flange, square, heavy-duty grate with 9/16" slotted openings, and white acid resisting epoxy coated interior and top - complete with aluminum anti-splash interior bottom dome strainer.

NOTE

*Add 3/4" to 16" dimension when specifying ZN1926.



Dimensions in inches [mm]				
A Pipe Size/ Outlet Type	E Body Height Dimensions		Approximate Weight lb [kg]	Grate Open Area sq in [cm ²]
	Z	ZN		
Inside Caulk (IC)				
3IC, 4IC, 6IC	15 [381]	15-3/16 [386]	150 [68]	54 [348]
No-Hub (NH)				
2NH, 3NH, 4NH, 6NH, 8NH	15 [381]	15-3/16 [386]	150 [68]	54 [348]
Neo-Loc (NL)				
2NL, 3NL, 4NL	14-1/4 [362]	14-7/16 [367]	150 [68]	54 [348]

PREFIXES	DESCRIPTION	A PIPE SIZE	Z (A.R.C.)	ZN (N.B.)
Z1926*	Cast Iron Body with White A.R.C. Interior and Top	2", 3" 4", 6", 8"	5,847.00	-
ZN1926†	Cast Iron Body with White A.R.C. Interior and Top, 16-3/4" Square N.B. Frame, and Full Slotted Grate	2", 3" 4", 6", 8"	-	7,371.00
OUTLETS (SPECIFY PIPE SIZE IN INCHES AND TYPE OF OUTLET)				
OUTLET TYPE	PIPE SIZE/OUTLET TYPE		ADD	
IC	Inside Caulk	3IC, 4IC, 6IC	N/C	N/C
NH	No-Hub	2NH, 3NH, 4NH, 6NH, 8NH	N/C	N/C
NL	Neo-Loc	2NL, 3NL, 4NL	N/C	N/C
SUFFIXES			Z (A.R.C.)	ZN (N.B.)
-C	Clamp Collar		704.00	704.00
-P	1/2" Trap Primer Connection		245.00	245.00
Ⓢ -TC	Neo-Loc Test Cap Gasket (2", 3", 4" NL Bottom Outlet Only)		33.00	33.00
-2	1/2 Grate		N/C	N/C
-3	3/4 Grate		N/C	N/C
-4	Full Grate with Square Center Opening		224.00	224.00
-6	Grate with 6" Dia. x 6" High Funnel		613.00	785.00
-8	Grate with 8-7/8" x 3-5/8" x 3-3/4" High Oval Funnel		665.00	1,097.00
-11	Vandal-Proof Secured Grate		186.00	186.00
-15	Solid Loose Set Cover		189.00	771.00
-23	Aluminum Bucket		1,037.00	1,037.00
-25	White A.R.C. Bucket		2,912.00	2,912.00
-31	Stainless Steel Mesh Liner for Bucket		1,175.00	1,175.00
-33	White A.R.C. Anti-Splash Bottom Dome Strainer		399.00	399.00
			DEDUCT	
-LD	Less Bottom Dome Strainer		- 79.00	- 79.00
-1	Less Grate		- 476.00	- 1,294.00
BEST SELLERS			LIST PRICE	
Z1926-3NL			5,847.00	
Z1926-4IC-2-23-31			8,059.00	
Z1926-4NH			5,847.00	
Z1926-4NH-2			5,847.00	
Z1926-4NH-2-C			6,551.00	
Z1926-4NH-C			6,551.00	
ZN1926-4NH-2			7,371.00	
Z1926-4NL			5,847.00	
Z1926-6NH			5,847.00	

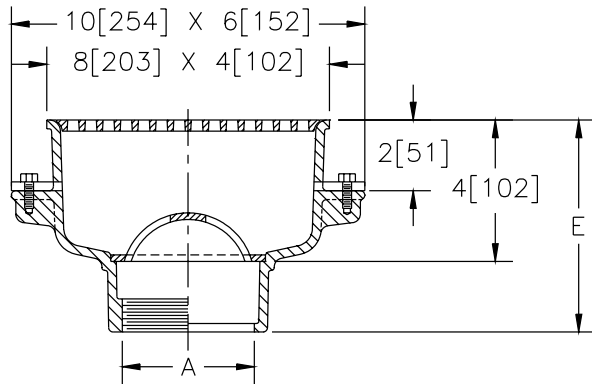
Z1930 8" X 4" A.R.C. SANI-FLOR RECEPTOR WITH 4" SUMP DEPTH



ENGINEERING SPECIFICATION

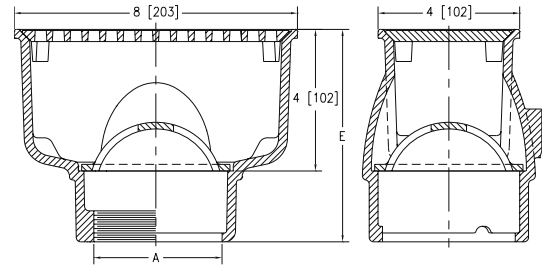
Zurn Z1930 Sani-Flor receptor features 8" x 4" x 4" deep cast iron body and rectangular, square hole, light-duty grate with white acid resisting epoxy coated interior and top - complete with white ABS anti-splash interior bottom dome strainer.

Dimensions in inches [mm]				Approximate Weight lb [kg]	Grate Open Area sq in [cm ²]
A Pipe Size/Outlet Type	E Body Height Dimensions		Z		
Threaded (IP)					
2IP, 3IP	6 [152]	6-3/8 [162]	11 [5]	7.5 [48]	
Neo-Loc (NL)					
2NL, 3NL	5-13/16 [148]	6-3/16 [157]	11 [5]	7.5 [48]	



-KC Option Shown

Z1930-KC Sani-Flor Receptor, 8" x 4" x 4" deep cast iron body and rectangular square hole light-duty grate with white acid resisting epoxy coated interior and top with seepage flange with seepage holes and clamp collar (-KC).



PREFIXES	DESCRIPTION	A PIPE SIZE	Z (A.R.C.)	ZN (N.B.)
Z1930*	Cast Iron Body with White A.R.C. Interior and Top	2", 3"	2,034.00	-
ZN1930	Cast Iron Body with White A.R.C. Interior and Top, 8-3/4" x 4-3/4" N.B. Frame, and Full Grate with 5/16" Square Openings	2", 3"	-	2,439.00
OUTLETS (SPECIFY PIPE SIZE IN INCHES AND TYPE OF OUTLET)				
OUTLET TYPE		PIPE SIZE/OUTLET TYPE	ADD	
IP	Threaded	2IP, 3IP	N/C	N/C
NL	Neo-Loc	2NL, 3NL	N/C	N/C
SUFFIXES			Z (A.R.C.)	ZN (N.B.)
-K	Anchor Flange		245.00	245.00
-KC	Anchor Flange with Seepage Holes and Clamp Collar		476.00	476.00
-P	1/2" Trap Primer Connection		245.00	245.00
-S	Secondary Strainer		N/C	N/C
Ⓢ -TC	Neo-Loc Test Cap Gasket (2", 3" NL Bottom Outlet Only)		33.00	33.00
-2	1/2 Grate		N/C	N/C
-3	3/4 Grate		N/C	N/C
-4	Full Grate with Square Center Opening		224.00	224.00
-6	Grate with 6" Dia. x 6" High Funnel		613.00	785.00
-8	Grate with 8-7/8" x 3-5/8" x 3-3/4" High Oval Funnel		665.00	1,097.00
-11	Vandal-Proof Secured Grate (ZN only)		N/A	101.00
-15	Solid Loose Set Cover (ZN only)		N/A	216.00
-23	Aluminum Bucket		245.00	245.00
-25	White A.R.C. Bucket		592.00	592.00
-31	Stainless Steel Mesh Liner for Bucket		592.00	592.00
-32	Aluminum Dome Strainer		N/C	N/C
-33	White A.R.C. Anti-Splash Bottom Dome Strainer		399.00	399.00
			DEDUCT	
			Z (A.R.C.)	ZN (N.B.)
-LD	Less Bottom Dome Strainer		- 79.00	- 79.00
-1	Less Grate		- 189.00	- 381.00

*Regularly furnished unless otherwise specified.

Items designated as Best Sellers are most specified and are generally in stock for shipment.

⌚ This symbol denotes a product that is engineered to reduce installation and rework time.

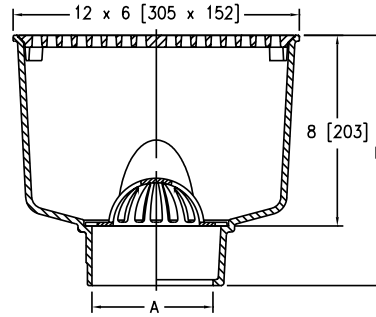
For additional product information, please visit www.zurn.com

Z1940 12" X 6" A.R.C. SANI-FLOR RECEPTOR WITH 8" SUMP DEPTH

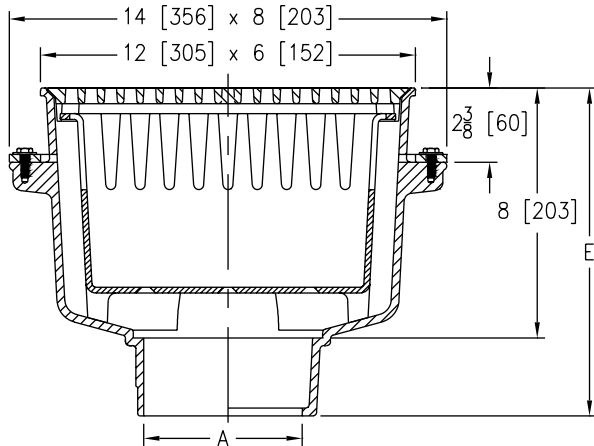


ENGINEERING SPECIFICATION

Zurn Z1940 Sani-Flor receptor features 12" x 6" x 8" deep cast iron body and rectangular, square hole, light-duty grate with white acid resisting epoxy coated interior and top - complete with white ABS anti-splash interior bottom dome strainer.



Dimensions in inches [mm]			Approximate Weight lb [kg]	Grate Open Area sq in [cm ²]
A Pipe Size/Outlet Type	E Body Height Dimensions			
	Z	ZN		
Inside Caulk (IC)				
2IC, 3IC, 4IC	10-1/2 [267]	10-7/8 [276]	28 [13]	17 [110]
No-Hub (NH)				
2NH, 3NH, 4NH	10-1/2 [267]	10-7/8 [276]	28 [13]	17 [110]
Neo-Loc (NL)				
2NL, 3NL, 4NL	10 [254]	10-3/8 [264]	28 [13]	17 [110]



-KC-23 Options Shown

Z1940-KC-23 Sani-Flor Receptor, 12" x 6" x 8" deep cast iron body and rectangular square hole light-duty grate with white acid resisting epoxy coated interior and top with seepage flange with seepage holes and clamp collar (-KC) and aluminum bucket (-23).

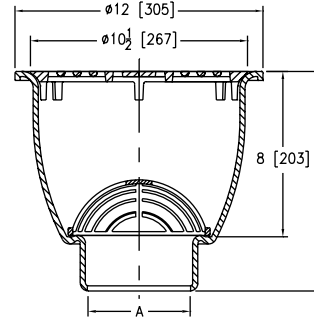
PREFIXES	DESCRIPTION	A PIPE SIZE	Z (A.R.C.)	ZN (N.B.)
Z1940*	Cast Iron Body with White A.R.C. Interior and Top	2", 3", 4"	2,683.00	-
ZN1940	Cast Iron Body with White A.R.C. Interior and Top, 13" x 7" N.B. Frame, and Full Grate with 3/8" Square Openings	2", 3, 4"	-	3,282.00
OUTLETS (SPECIFY PIPE SIZE IN INCHES AND TYPE OF OUTLET)				
OUTLET TYPE	PIPE SIZE/OUTLET TYPE			ADD
IC	Inside Caulk	2IC, 3IC, 4IC	N/C	N/C
NH	No-Hub	2NH, 3NH, 4NH	N/C	N/C
NL	Neo-Loc	2NL, 3NL, 4NL	N/C	N/C
SUFFIXES			Z (A.R.C.)	ZN (N.B.)
-K	Anchor Flange		346.00	346.00
-KC	Anchor Flange with Seepage Holes and Clamp Collar		580.00	580.00
-P	1/2" Trap Primer Connection		245.00	245.00
-S	Secondary Strainer		N/C	N/C
-TC	Neo-Loc Test Cap Gasket (2", 3", 4" NL Bottom Outlet Only)		33.00	33.00
-2	1/2 Grate		N/C	N/C
-3	3/4 Grate		N/C	N/C
-4	Full Grate with Square Center Opening		224.00	224.00
-6	Grate with 6" Dia. x 6" High Funnel		613.00	785.00
-8	Grate with 8-7/8" x 3-5/8" x 3-3/4" High Oval Funnel		665.00	1,097.00
-11	Vandal-Proof Secured Grate (ZN only)		N/A	101.00
-15	Solid Loose Set Cover		124.00	216.00
-23	Aluminum Bucket		245.00	245.00
-25	White A.R.C. Bucket		592.00	592.00
-31	Stainless Steel Mesh Liner for Bucket		592.00	592.00
-32	Aluminum Dome Strainer		N/C	N/C
-33	White A.R.C. Anti-Splash Bottom Dome Strainer		399.00	399.00
			DEDUCT	
			Z (A.R.C.)	ZN (N.B.)
-LD	Less Bottom Dome Strainer		- 79.00	- 79.00
-1	Less Grate		- 245.00	- 432.00

Z1950 12" DIAMETER A.R.E. SANI-FLORECEPTOR WITH 8" SUMP DEPTH

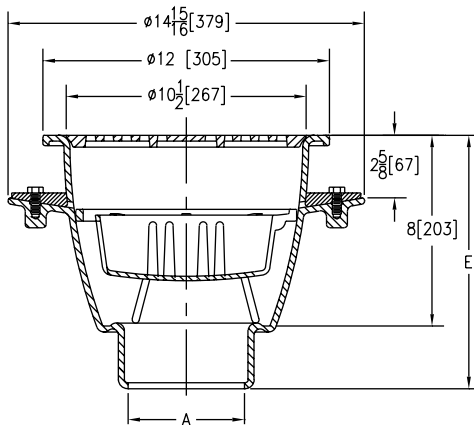


ENGINEERING SPECIFICATION

Zurn Z1950 Sani-Flor receptor features 12" diameter x 8" deep cast iron body, and round slotted, light-duty grate with white acid resisting porcelain enamel interior and top - complete with white ABS anti-splash interior bottom dome strainer.



Dimensions in inches [mm]				
A Pipe Size/ Outlet Type	E Body Height Dimensions		Approximate Weight lb [kg]	Grate Open Area sq in [cm ²]
	Z	ZN		
Inside Caulk (IC)				
3IC, 4IC	10-5/8 [270]	11 [279]	34 [15]	22 [142]
No-Hub (NH)				
2NH, 3NH, 4NH	10-5/8 [270]	11 [279]	34 [15]	22 [142]
Neo-Loc (NL)				
2NL, 3NL, 4NL	10 [254]	10-3/8 [264]	34 [15]	22 [142]



-KC-23 Options Shown

Z1950-KC-23 Sani-Flor Receptor, 12" diameter x 8" deep cast iron body and round slotted light-duty grate with white acid resisting porcelain enamel interior and top with seepage flange with seepage holes and clamp collar (-KC) and aluminum bucket (-23).

PREFIXES	DESCRIPTION	A PIPE SIZE	Z (A.R.E.)	ZN (N.B.)
Z1950*	Cast Iron Body with White A.R.E. Interior and Top	2", 3", 4"	2,094.00	-
ZN1950	Cast Iron Body with White A.R.E. Interior and Top, 12-1/2" Round N.B. Frame, and Full Grate with 1/2" Square Openings	2", 3, 4"	-	3,338.00

OUTLETS (SPECIFY PIPE SIZE IN INCHES AND TYPE OF OUTLET)				
OUTLET TYPE		PIPE SIZE/ OUTLET TYPE	Z (A.R.E.)	ZN (N.B.)
IC	Inside Caulk	3IC, 4IC	N/C	N/C
NH	No-Hub	2NH, 3NH, 4NH	N/C	N/C
NL	Neo-Loc	2NL, 3NL, 4NL	N/C	N/C

SUFFIXES				
			Z (A.R.E.)	ZN (N.B.)
-K	Anchor Flange		476.00	476.00
-KC	Anchor Flange with Seepage Holes and Clamp Collar		704.00	704.00
-P	1/2" Trap Primer Connection (See Z1023, NH Only)		245.00	245.00
Ⓢ -TC	Neo-Loc Test Cap Gasket (2", 3", 4" NL Bottom Outlet Only)		33.00	33.00
-2	1/2 Grate		N/C	N/C
-3	3/4 Grate		N/C	N/C
-4	Full Grate with Center Opening		224.00	224.00
-6	Grate with 6" Dia. x 6" High Funnel		613.00	785.00
-8	Grate with 8-7/8" x 3-5/8" x 3-3/4" High Oval Funnel		665.00	1,097.00
-11	Vandal-Proof Secured Grate (ZN only)		N/A	101.00
-15	Solid Loose Set Cover		147.00	287.00
-23	Aluminum Bucket		399.00	399.00
-25	White A.R.C. Bucket		592.00	592.00
-31	Stainless Steel Mesh Liner for Bucket		592.00	592.00
-32	Aluminum Dome Strainer		N/C	N/C
-33	White A.R.C. Anti-Splash Bottom Dome Strainer		399.00	399.00

DEDUCT				
			Z (A.R.E.)	ZN (N.B.)
-LD	Less Bottom Dome Strainer		- 79.00	- 79.00
-1	Less Grate		- 336.00	- 640.00

BEST SELLERS		LIST PRICE
Z1950-2NH-2		2,094.00
Z1950-3NH		2,094.00
Z1950-3NH-2		2,094.00
Z1950-3NH-2-K		2,570.00
Z1950-3NH-2-KC		2,798.00
Z1950-3NH-K		2,570.00
Z1950-3NH-KC		2,798.00
Z1950-3NL-2		2,094.00
ZN1950-3NL-2-32-KC		4,042.00
ZN1950-3NL-23-TC		3,770.00
Z1950-4NH		2,094.00
Z1950-4NH-2		2,094.00
Z1950-4NH-3-33		2,493.00
Z1950-4NL-2		2,094.00

*Regularly furnished unless otherwise specified.

Items designated as Best Sellers are most specified and are generally in stock for shipment.

Ⓢ This symbol denotes a product that is engineered to reduce installation and rework time.

For additional product information, please visit www.zurn.com

INTRO
ROOF DRAINS
FLOOR DRAINS
I, P, BW VALVES
INTERCEPTORS
CARRIERS
HYDRANTS
CLEANOUTS
WHA
SS DRAINS
SANI-FLORE
TECH INFO

Z1960 8" DIAMETER A.R.E. SANI-FLOR RECEPTOR WITH 6" SUMP DEPTH

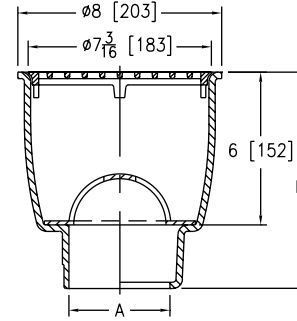


ENGINEERING SPECIFICATION

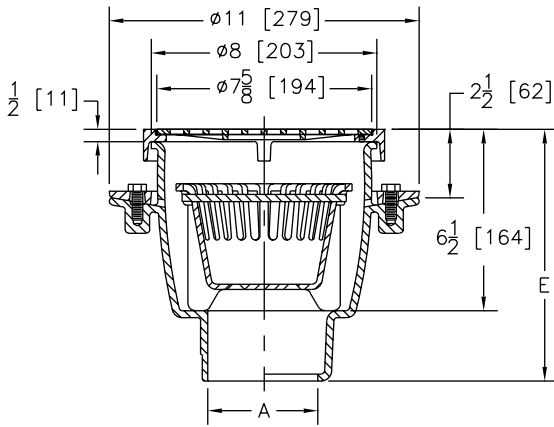
Zurn Z1960 Sani-Flor receptor features 8" diameter x 6" deep cast iron body and square hole, light-duty grate with white acid resisting porcelain enamel interior and top - complete with white ABS anti-splash interior bottom dome strainer.

NOTE

†Add 9/16" to 8" dimension when specifying ZN1960.



Dimensions in inches [mm]				
A Pipe Size/ Outlet Type	E Body Height Dimensions		Approximate Weight lb [kg]	Grate Open Area sq in [cm ²]
	Z	ZN		
Inside Caulk (IC)				
3IC, 4IC	8-1/2 [216]	9 [229]	25 [11]	14 [6]
No-Hub (NH)				
2NH, 3NH, 4NH	8-1/2 [216]	9 [229]	25 [11]	14 [6]
Neo-Loc (NL)				
2NL, 3NL, 4NL	8 [203]	8-7/16 [214]	25 [11]	14 [6]



-T-KC-23 Options Shown

ZN1960-T-KC-23 Sani-Flor Receptor, 8-1/2" square frame x 7-5/8" round light-duty grate with 1/4" openings (-T) x 6-1/2" deep cast iron body with white acid resisting porcelain enamel interior and nickel bronze frame and grate with seepage flange with seepage holes and clamp collar (-KC) and aluminum bucket (-23).

PREFIXES	DESCRIPTION	A PIPE SIZE	Z (A.R.E.)	ZN (N.B.)
Z1960*	Cast Iron Body with White A.R.E. Interior and Top	2", 3", 4"	1,650.00	-
ZN1960†	Cast Iron Body with White A.R.E. Interior and Top, 8-1/2" Round N.B. Frame, and Full Grate with 1/2" Square Openings	2", 3, 4"	-	2,214.00

OUTLETS (SPECIFY PIPE SIZE IN INCHES AND TYPE OF OUTLET)			
OUTLET TYPE	PIPE SIZE/ OUTLET TYPE	ADD	
IC	Inside Caulk	3IC, 4IC	N/C N/C
NH	No-Hub	2NH, 3NH, 4NH	N/C N/C
NL	Neo-Loc	2NL, 3NL, 4NL	N/C N/C

SUFFIXES			
		Z (A.R.E.)	ZN (N.B.)
-K	Anchor Flange	361.00	361.00
-KC	Anchor Flange with Seepage Holes and Clamp Collar	592.00	592.00
-P	1/2" Trap Primer Connection (See Z1023, NH Only)	245.00	245.00
-T	Square Frame and Round Grate with 1/4" Square Openings (ZN only)	N/A	308.00
-TC	Neo-Loc Test Cap Gasket (2", 3", 4" NL Bottom Outlet Only)	33.00	33.00
-2	1/2 Grate	N/C	N/C
-3	3/4 Grate	N/C	N/C
-4	Full Grate with Center Opening	224.00	224.00
-6	Grate with 6" Dia. x 6" High Funnel	613.00	785.00
-8	Grate with 8-7/8" x 3-5/8" x 3-3/4" High Oval Funnel	665.00	1,097.00
-11	Vandal-Proof Secured Grate (ZN only)	N/A	101.00
-15	Solid Loose Set Cover	124.00	216.00
-23	Aluminum Bucket	287.00	287.00
-25	White A.R.C. Bucket	675.00	675.00
-31	Stainless Steel Mesh Liner for Bucket	592.00	592.00
-32	Aluminum Dome Strainer	N/C	N/C
-33	White A.R.C. Anti-Splash Bottom Dome Strainer	399.00	399.00

DEDUCT			
		Z (A.R.E.)	ZN (N.B.)
-LD	Less Bottom Dome Strainer	- 79.00	- 79.00
-1	Less Grate	- 245.00	- 266.00

BEST SELLERS		LIST PRICE
Z1960-2NH		1,650.00
Z1960-2NH-2		1,650.00
Z1960-3NH		1,650.00
Z1960-3NH-2		1,650.00
Z1960-3NH-2-32		1,650.00
Z1960-3NH-2-KC		2,242.00
ZN1960-3NH-2		2,214.00
Z1960-3NL-2		1,650.00
Z1960-3NL-23-TC		1,970.00
ZN1960-3NL-2-23-K		2,862.00
ZN1960-3NL-2-23-KC		3,093.00

*Regularly furnished unless otherwise specified.

Items designated as Best Sellers are most specified and are generally in stock for shipment.

Ⓢ This symbol denotes a product that is engineered to reduce installation and rework time.

Z1970 9" DIAMETER SHALLOW A.R.C. SANI-FLOR RECEPTOR WITH 3" SUMP DEPTH

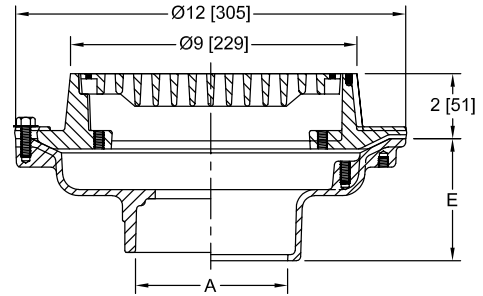


ENGINEERING SPECIFICATION

Zurn Z1970 Sani-Flor receptor features 9" diameter x 3" deep cast iron body and round slotted, medium-duty grate with white acid resisting epoxy coated interior and top - complete with brass secondary strainer.

NOTE

†Add 11/16" to 9" dimension when specifying ZN1970.



Dimensions in inches [mm]				
A Pipe Size/ Outlet Type	E Body Height Dimensions		Approximate Weight lb [kg]	Grate Open Area sq in [cm ²]
	Z	ZN		
No-Hub (NH)				
2NH, 3NH, 4NH	5-3/4 [146]	6 [152]	14 [6]	18 [116]
Neo-Loc (NL)				
2NL, 3NL, 4NL	4-7/8 [124]	5-1/8 [130]	14 [6]	18 [116]

PREFIXES	DESCRIPTION	A PIPE SIZE	Z (A.R.C.)	ZN (N.B.)
Z1970*	Cast Iron Body with White A.R.C. Interior and Top	2", 3", 4"	1,593.00	-
ZN1970†	Cast Iron Body with White A.R.C. Interior and Top, 9" Round N.B. Frame, and Full Slotted Grate	2", 3, 4"	-	1,899.00

OUTLETS (SPECIFY PIPE SIZE IN INCHES AND TYPE OF OUTLET)				
OUTLET TYPE		PIPE SIZE/ OUTLET TYPE		ADD
NH	No-Hub	2NH, 3NH, 4NH	N/C	N/C
NL	Neo-Loc	2NL, 3NL, 4NL	N/C	N/C

SUFFIXES				
			Z (A.R.C.)	ZN (N.B.)
-K	Anchor Flange		361.00	361.00
-KC	Anchor Flange with Seepage Holes and Clamp Collar		592.00	592.00
-P	1/2" Trap Primer Connection		245.00	245.00
-TC	Neo-Loc Test Cap Gasket (2", 3", 4" NL Bottom Outlet Only)		33.00	33.00
-2	1/2 Grate		N/C	N/C
-3	3/4 Grate		N/C	N/C
-4	Full Grate with Center Opening		224.00	224.00
-5	Grate with 4" Dia. x 3-3/4" High Funnel		476.00	530.00
-7	Grate with 6-3/4" x 3" x 1" High Oval Funnel		476.00	530.00
-11	Vandal-Proof Secured Grate		208.00	208.00
-25	White A.R.C. Bucket		287.00	287.00
-31	Stainless Steel Mesh Liner for Bucket		386.00	386.00

BEST SELLER	LIST PRICE
Z1970-3NH-2	1,593.00

*Regularly furnished unless otherwise specified.

Items designated as Best Sellers are most specified and are generally in stock for shipment.

⌚ This symbol denotes a product that is engineered to reduce installation and rework time.

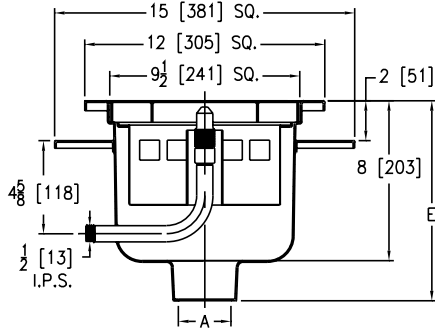
For additional product information, please visit www.zurn.com

Z1982 12" X 12" STAINLESS STEEL SANI-FLOR CAN WASH DRAIN WITH 8" SUMP DEPTH



ENGINEERING SPECIFICATION

Zurn Z1982 Sani-Flor can wash drain features 12" x 12" x 8" deep fabricated stainless steel body, bottom outlet, anchor pan, medium-duty, loose set grate, and standing sediment bucket. Comes complete with chrome-plated bronze spray nozzle and water supply assembly.



PREFIXES	DESCRIPTION	A PIPE SIZE	LIST PRICE
Z1982*	All Type 304 Stainless Steel	3", 4"	5,308.00
OUTLETS (SPECIFY PIPE SIZE IN INCHES AND TYPE OF OUTLET)			
OUTLET TYPE	PIPE SIZE/OUTLET TYPE		ADD
NH	No-Hub	3NH, 4NH	N/C
SUFFIXES			ADD
-C	Clamp Collar		234.00
-WB	Water Supply Control Box (See Z1464)		6,666.00
-11	Vandal-Proof Secured Grate		793.00
-31	Stainless Steel Mesh Liner for Bucket		592.00
BEST SELLERS			LIST PRICE
Z1982-3NH			5,308.00
Z1982-3NH-WB-31			12,566.00
Z1982-3NL-31			5,900.00

Dimensions in inches [mm]		Approximate Weight lb [kg]	Grate Open Area sq in [cm ²]
A Pipe Size/Outlet Type	E Body Height Dimensions		
No-Hub (NH)			
3NH, 4NH	10 [254]	45 [20]	20 [129]

Z1995 24" X 16" A.R.C. SANI-FLOR RECEPTOR WITH 17" SUMP DEPTH

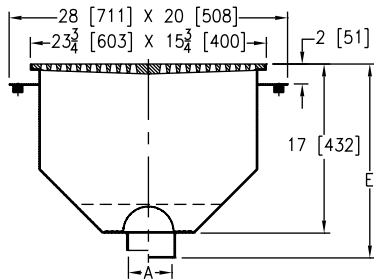


ENGINEERING SPECIFICATION

Zurn Z1995 Sani-Flor receptor features 24" x 16" x 17" deep, white acid resisting epoxy coated interior, fabricated steel body, integral anchor flange, and rectangular square holed, heavy-duty grate - complete with aluminum anti-splash interior bottom dome strainer.

NOTE

†Add 3/8" to 15-3/4" x 23-3/4" and 3/16" to 'E' dimensions when specifying ZN1995.



PREFIXES	DESCRIPTION	A PIPE SIZE	Z (A.R.C.)	ZN (N.B.)
Z1995*	Fabricated Steel Body with White A.R.C. Interior	3", 4", 6"	11,846.00	-
ZN1995†	Fabricated Steel Body with White A.R.C. Interior, 16-1/8" x 24-1/8" N.B. Frame and Full Grate with 1/4" Square Openings	3", 4", 6"	-	15,158.00
OUTLETS (SPECIFY PIPE SIZE IN INCHES AND TYPE OF OUTLET)				
OUTLET TYPE	PIPE SIZE/OUTLET TYPE		ADD	
NH	No-Hub	3NH, 4NH, 6NH	N/C	N/C
SUFFIXES			Z (A.R.C.)	ZN (N.B.)
-KC	Anchor Flange with Seepage Holes and Clamp Collar		704.00	704.00
-P	1/2" Trap Primer Connection (See Z1023)		476.00	476.00
-2	1/2 Grate		N/C	N/C
-3	3/4 Grate		N/C	N/C
-6	Grate with 6" Dia. x 6" High Funnel		613.00	785.00
-25	White A.R.C. Bucket		1,500.00	1,500.00
BEST SELLER			LIST PRICE	
Z1995-4NH			11,846.00	

Dimensions in inches [mm]		Approximate Weight lb [kg]	Grate Open Area sq in [cm ²]
A Pipe Size/Outlet Type	E Body Height Dimensions		
No-Hub (NH)			
3NH, 4NH, 6NH	18-3/4 [476]	19 [483]	70 [452]

TECHNICAL INFORMATION

TECHNICAL INFO - ZURN OUTLET PIPE CONNECTIONS	342
TECHNICAL INFO - TOP LOADING CLASSIFICATION	343
TECHNICAL INFO - ZURN MATERIALS AND FINISHES	344
ALPHANUMERIC INDEX	348
GENERAL TERMS AND CONDITIONS	352

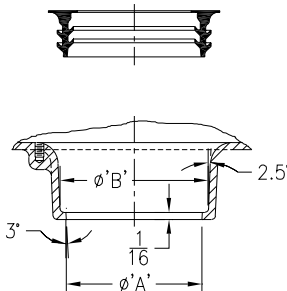
TECHNICAL INFO - ZURN OUTLET PIPE CONNECTIONS

INSIDE CAULK (IC)

Often specified where drain body is positioned on pipe, bottom of outlet is sealed with oakum and connection is then completed according to local plumbing codes.

INSIDE GASKET (IG)

The IG connections utilize an inside caulk drain body and a Zurn "Sealtrol" gasket. This connection is only recommended for basement or ground floor applications.

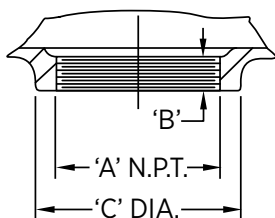


I.C. with Sealtrol Gasket (IG) Inside Caulk (IC)

OUTLETS	'A'	'B'	'C'
2. [51] I.C. Outlet	2-5/8 [67]	3-1/16 [78]	-
3. [76] I.C. Outlet	3-3/4 [95]	4-3/16 [106]	-
4. [102] I.C. Outlet	4-3/4 [121]	5-3/16 [132]	-
5. [127] I.C. Outlet	5-3/4 [146]	6-3/16 [157]	-
6. [152] I.C. Outlet	6-3/4 [172]	7-3/16 [183]	-
8. [203] I.C. Outlet	8-7/8 [226]	9-1/2 [241]	-

IRON PIPE (IP)

Zurn Iron Pipe Threaded connection is an old industry standard. The female (NPT) threaded outlet is often specified on industrial and institutional applications.

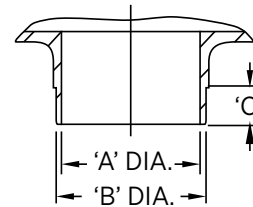


I.P. (Threaded/N.P.T.)

OUTLETS	'A'	'B'	'C'
2. [51] N.P.T. Outlet	2 [51]	9/16 [14]	3-1/4 [83]
3. [76] N.P.T. Outlet	3 [76]	3/4 [19]	4-1/2 [114]
4. [102] N.P.T. Outlet	4 [102]	15/16 [24]	5-5/8 [143]
5. [127] N.P.T. Outlet	5 [127]	15/16 [24]	6-11/16 [170]
6. [152] N.P.T. Outlet	6 [152]	1 [25]	7-3/4 [197]
8. [203] N.P.T. Outlet	8 [203]	1-1/8 [29]	9-3/8 [238]

NO-HUB (NH)

The most widely used connection. A No-Hub connection is achieved by butting No-Hub soil pipe or plastic pipe to the bottom of drain and securing it with a NH joint clamp. (Clamp furnished by others.)



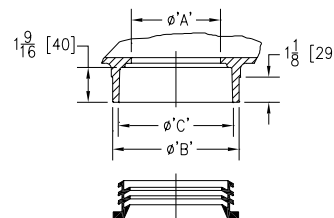
No-Hub (NH)

OUTLETS	'A'	'B'	'C'
2. [51] No-Hub Outlet	2 [51]	2-3/8 [60]	1-9/16 [40]
3. [76] No-Hub Outlet	3 [76]	3-3/8 [86]	1-9/16 [40]
4. [102] No-Hub Outlet	4 [102]	4-3/8 [111]	1-9/16 [40]
5. [127] No-Hub Outlet	4-15/16 [126]	5-5/16 [135]	2-1/16 [52]
6. [152] No-Hub Outlet	5-15/16 [151]	6-5/16 [160]	2-1/16 [52]
8. [203] No-Hub Outlet	8 [203]	8-3/8 [213]	2-1/16 [52]
10. [254] No-Hub Outlet	10 [254]	10-9/16 [268]	2-1/16 [52]
12. [305] No-Hub Outlet	12 [305]	12-9/16 [319]	2-1/16 [52]

NEO-LOC (NL)

Zurn Neo-Loc is a unique labor-saving compression gasketed connection designed to simply push on the stub end of the pipe. The Neo-Loc drain body and gasket can be utilized with plastic, steel, No-Hub and service weight soil pipe. A unique pipe stop cast in each Zurn Neo-Loc drain body ensures a proper fit.

Note: Not recommended for roof drain applications due to the watertight integrity of the Neo-Loc connection to the leader pipe being dependent upon adequate leader pipe support and accurate perpendicularity of leader pipe into Neo-Loc gasket.



"Neo-Loc" (NL)

OUTLETS	'A'	'B'	'C'
2. [51] Neo-Loc Outlet	2 [51]	3-3/8 [86]	3 [76]
3. [76] Neo-Loc Outlet	3 [76]	4-3/8 [111]	4 [102]
4. [102] Neo-Loc Outlet	4 [102]	5-1/2 [140]	5-1/8 [130]
2. [51] NL w/-TC	2 [51]	3-3/8 [86]	3 [76]
3. [76] NL w/-TC	3 [76]	4-3/8 [111]	4 [102]
4. [102] NL w/-TC	4 [102]	5-1/2 [140]	5-1/8 [130]

Special Note: Zurn "Neo-Loc" and "Sealtrol" gaskets are designed for use exclusively with Zurn drainage products. They are not sold separately and all warranties either expressed or implied would be forfeited if used in other than a Zurn drainage product.

TECHNICAL INFO - TOP LOADING CLASSIFICATION

Selection of a Zurn Floor Drain should be based on the load factor and the anticipated traffic. Many of Zurn's cast iron grates may be furnished in Duresist iron when increased working load requirements are necessary. Specify Duresist grate (-DG) when required or contact your Zurn representative when special applications are necessary.

Zurn drains are rated as follows: (Reference ASME Standard A112.6.3M)

6.1 – LOADING CLASSIFICATIONS

Grates and top rims shall be designed to meet the following loading classifications.

6.1.1 – LIGHT DUTY

All grates having safe live load (as calculated in para. 6.2.5) under 2000 lb. [900 kg].

6.1.2 – MEDIUM DUTY

All grates having safe live load (as calculated in para. 6.2.5) between 2000 lb. [900 kg] and 4999 lb. [2250 kg].

6.1.3 – HEAVY DUTY

All grates having safe live load (as calculated in para. 6.2.5) between 5000 lb. [2250 kg] and 7499 lb. [3375 kg].

6.1.4 – EXTRA HEAVY DUTY

All grates having safe live load (as calculated in para. 6.2.5) between 7500 lb. [3375 kg] and 10,000 lb. [4500 kg].

6.1.5 – SPECIAL DUTY

Grates having safe live load (as calculated in para. 6.2.5) over 10,000 lb. [4500 kg] shall be considered special and treated accordingly.

6.2 – TEST PROCEDURE FOR GRATE LOADING

Live Load – Requirements listed in 6.1 through 6.1.5 shall be determined as follows:

*Safe live load rating of grates is for general classification purposes only.
For the actual safe live load of any given grate, contact your Zurn representative.

Note: ZB and ZN 400 Series drain head assemblies are rated for light-duty applications only.

6.2.1 – LOAD CLASSIFICATIONS

Load classifications as stated in 6.1 shall be determined by laboratory tests.

6.2.2 – PLATEN SIZE

A 3.5 in. [89 mm] diameter platen shall be applied to the center of the grate specimen.

6.2.3 – LOADING

Loading shall be applied slowly so that point of failure can be observed.

6.2.4 – POINT OF FAILURE

(a) Brittle Materials (Cast Iron). The load (in pounds or kilograms) at which the first fracture on any part of the specimen appears.

(b) Ductile Material. The load which the permanent set (at the point of loading) is greater than 2% of the longest transverse dimension of the specimen.

6.2.5 – GRATE CLASSIFICATION

The maximum safe live load is computed by dividing the load at failure by two.

INTRO

ROOF DRAINS

FLOOR DRAINS

T, P, BW VALVES

INTERCEPTORS

CARRIERS

HYDRANTS

CLEANOUTS

WHA

SS DRAINS

SANI-FLOOR

TECH INFO

TECHNICAL INFO - ZURN MATERIALS AND FINISHES

ZURN CAST IRON

Conforms to ASTM Specification for Gray Iron Castings A48, Class 25. It is produced utilizing the latest equipment and newest developed foundry techniques. Zurn cast iron castings are characterized by a high degree of strength, corrosion-resistance, workmanship, and finish.

ZURN DURESIST

A ductile iron complying with ASTM Specification A536, Grade 60-45-10. Its physical properties make it ideal for grates and drain components that are subjected to severe and heavy duty service. Its chemical characteristics make possible a degree of corrosion-resistance far superior to that of cast iron. Zurn Duresist exhibits remarkable stress qualities, possessing a yield strength in the same range as that of cast carbon steel, while its ability to absorb the shock loading of traffic areas is unequalled, making its use ideal for all areas where extra heavy duty service is a requirement – whether indoors or outdoors – in chemical and metal processing plants or other industrial applications.

ZURN DURA-COAT

A specially formulated paint designed to resist cracking and chipping. Dura-Coat is a latex-based coating developed to be used with cast iron substrate. Dura-Coat is designed, per ASME standards, to protect the product "during normal handling and warehousing prior to installation".

ZURN GALVANIZED CAST IRON

A process of applying heavy zinc coating to a thoroughly cleaned iron casting. This coating contains 95% zinc. Zurn galvanizing can be supplied on all cast iron parts. It increases longevity and is recommended wherever the discoloration caused by oxidation of cast iron is objectionable. Galvanize should be used in industrial areas where corrosive atmosphere may be encountered.

CADMIUM PLATED CAST IRON

A process of applying a heavy cadmium coating to a thoroughly cleaned iron casting. This coating contains 95% cadmium in a cold applied process. Cadmium plating can be supplied on all cast iron parts. It increases longevity and is recommended wherever the discoloration caused by oxidation of cast iron is objectionable.

PROPERTIES OF BASIC DUCTILE VERSUS CAST IRON

METAL	CAST IRON	DUCTILE IRON
Specification	Class 25	60-45-10
Tensile Strength (PSI)	25/30,000	60/80,000
Yield Strength (PSI)	NIL	45/60,000
Elongation	NIL	10% to 25%
Modules of Elasticity	16 x 10	24 x 10

ZURN BRONZE

A semi-red brass conforming to ASTM Specification for Copper Alloy Sand Casting B584, Copper Alloy No. 844. The exposed surface is normally supplied possessing a satin sheen texture which allows it to blend unobtrusively with surrounding finishes. When the application requires, Zurn Bronze can be polished to a high gloss.

ZURN NICKEL BRONZE

A unique material that is ideally suited to traffic-bearing grates and strainers in finished floor areas. It affords the combined advantage of greater strength, better appearance, and longer service life at the same price as chrome plated brass. Superior ductility and shock resistance are the result of a copper nickel alloy (Copper Alloy 997) having a wearing surface similar in appearance to satin chrome plate; however, because it does not have a plated surface it cannot chip, peel, crack, or wear off. It is highly resistant to corrosion; however, the process of oxidation will naturally occur over time with most metals. Methods have been developed to prevent, preserve, and restore metals affected by oxidation.

CHROME PLATED BRONZE

Ideal for installation in walls, gutters, and other areas where a bright decorative finish is desired, and is not subject to the abrasive action of foot and other traffic. It is not recommended for installations where the abrasion will eventually wear through and cause peeling. It should always be specified for swimming pool fittings due to its high resistance to the halogens (chlorine, etc.), encountered in swimming pool sanitation.

ALUMINUM

Casting grade 319. This is an alloy containing both silicon and copper. It is a solid cast metal in a pleasing light gray color. The light weight, coupled with its exceptional strength and corrosion resistance, makes it ideal for drain components such as sediment buckets and strainers. When used with acid-resisting porcelain enamel coated drains, the possibility of chipping is minimized.

ZURN STAINLESS STEEL

Castings are normally produced in Type CF8 (304) which is an 18-8 Austenitic Stainless possessing excellent corrosion resistant qualities. For some applications where conditions demand, Type CF8M (316) stainless steel can be supplied. Items formed from stainless steel sheet and other stainless steel products are regularly furnished in Type 304 with 316 as an optional material.

A.R.C.

Acid Resisting Epoxy Coating is a baked-on powder coating, which produces a smooth, hard, high gloss finish. This epoxy based coating offers high impact resistance and excellent life expectancy in all drainage applications.

A.R.E.

Acid Resisting Porcelain Enamel is a substantially vitreous or glassy inorganic coating bonded to metal by fusion at a high temperature above 800°F. This coating offers excellent acid, abrasion, and wear resistance. The coating is extremely hard and is the ultimate for sanitation in drainage applications. Zurn A.R.E. coating conforms to the requirements of F.D.A. (Food and Drug Administration) Regulation 21-CFR5 117.1360.

NOTES

NOTES

ALPHANUMERIC INDEX

⌚ A PERFECT FIT: Z1322XL-EZ AND Z1332XL-EZ ECOLOTROL™ WALL HYDRANTS	17	⌚ Z1222-CB CARRIER BANK	19	⌚ ZN1202-N EZCARRY® ADJUSTABLE VERTICAL SIPHON JET – NO-HUB NARROW WALL SYSTEM	227
⌚ EZ HYDRANTS: Z1327-EZ, Z1350-EZ, Z1320XL-EZ	18	⌚ Z1231EZ UNIVERSAL LAVATORY CARRIER	12	⌚ ZURN TOP-SET® DECK PLATE	13
⌚ STABILIZER SOLUTIONS	11	⌚ Z1231EZ UNIVERSAL LAVATORY CARRIER – WALL LAVATORIES	253	100C 15" DIAMETER DEEP SUMP DUAL OUTLET ROOF DRAIN - LOW SILHOUETTE DOME	28
⌚ Z100 FLOFORCE™	7	⌚ Z1320XL-EZ ECOLOTROL CERAMIC DISC WALL HYDRANT – ENCASED, NON-FREEZE, ANTI-SIPHON, AUTOMATIC DRAINING	267	ABBREVIATIONS USED IN THIS CUSTOMER GUIDE	21
⌚ Z130 14-9/32" DIAMETER SIPHONIC MAIN ROOF DRAIN	41	⌚ Z1322XL-EZ ECOLOTROL CERAMIC DISC WALL HYDRANT – EXPOSED, NON-FREEZE, ANTI-SIPHON, AUTOMATIC DRAINING	269	ALPHANUMERIC INDEX	348
⌚ Z130 SIPHONIC ROOF DRAIN WITH DECK PLATE	14	⌚ Z1327-EZ NARROW WALL HOT/COLD HYDRANT WITH MOUNTING BRACKETS – ENCASED, MODERATE CLIMATE	270	CARRIER – APPLICATION INDEX	202
⌚ Z131 14-9/32" DIAMETER SIPHONIC OVERFLOW ROOF DRAIN	41	⌚ Z1332XL-EZ ECOLOTROL CERAMIC DISC WALL HYDRANT – ENCASED, ANTI-SIPHON, AUTOMATIC DRAINING, MODERATE CLIMATE	271	CARRIER – HOW TO SPECIFY	202
⌚ Z163 15" DIAMETER COMBINATION MAIN ROOF AND OVERFLOW DRAIN WITH LOW SILHOUETTE DOMES AND DOUBLE TOP-SET® DECK PLATE	46	⌚ Z1350-EZ NARROW WALL HYDRANT WITH MOUNTING BRACKETS – ENCASED, MODERATE CLIMATE	273	CARRIER – PRODUCT COMPLIANCE	202
⌚ Z164 12" DIAMETER COMBINATION MAIN ROOF AND OVERFLOW DRAIN WITH LOW SILHOUETTE DOMES AND DOUBLE TOP-SET® DECK PLATE	47	⌚ Z1400B-DP BODY ASSEMBLY W/ "TYPE B" COVER AND DECK PLATE	287	CARRIER – TECHNICAL DATA	202
⌚ Z165 8-3/8" DIAMETER COMBINATION MAIN ROOF AND OVERFLOW DRAIN WITH LOW SILHOUETTE DOMES AND DOUBLE TOP-SET® DECK PLATE	48	⌚ Z1400-BZ1-DP BODY ASSEMBLY W/ "TYPE B" COVER, DECK PLATE AND EZI™ TECHNOLOGY	285	CARRIER – TECHNICAL DATA	203
⌚ Z250H FOG-CEPTOR® INTERCEPTOR	9	⌚ Z1400-BZ1 FLOOR CLEANOUT WITH "TYPE B" COVER AND EZI™ TECHNOLOGY	283	CAST IRON EZI™ NOMENCLATURE DECODER	62
⌚ Z400-18 LEVELING RING	78	⌚ Z1400S-DP BODY ASSEMBLY W/ "TYPE S" COVER AND DECK PLATE	288	CLEANOUTS – APPLICATION INDEX	282
⌚ Z400-SR FLOOR DRAIN STABILIZER RING	78	⌚ Z1400-SZ1 BODY ASSEMBLY W/ "TYPE S" COVER AND EZI™ TECHNOLOGY	284	CUSTOMER GUIDE INSTRUCTIONS	20
⌚ Z415B-DP BODY ASSEMBLY W/ "TYPE B" STRAINER AND DECK PLATE	84	⌚ Z1400-SZ1-DP BODY ASSEMBLY W/ "TYPE S" COVER, DECK PLATE AND EZI™ TECHNOLOGY	286	FLOOR DRAINS – APPLICATION INDEX	61
⌚ Z415-BZ1 BODY ASSEMBLY W/ "TYPE B" STRAINER AND EZI™ TECHNOLOGY	80	⌚ Z1900-RL 12" X 12" X 6" REPLACEMENT FLOOR SINK LINER	326	FLOOR DRAINS – GENERAL INFORMATION	61
⌚ Z415-BZ1-DP BODY ASSEMBLY W/ "TYPE B" STRAINER, DECK PLATE AND EZI™ TECHNOLOGY	82	⌚ Z1901-RL 12" X 12" X 8" REPLACEMENT FLOOR SINK LINER	328	GENERAL TERMS AND CONDITIONS	352
⌚ Z415-DP BODY ASSEMBLY W/ "TYPE S" STRAINER AND DECK PLATE	85	⌚ Z1902-RL 12" X 12" X 10" REPLACEMENT FLOOR SINK LINER	330	GREASE INTERCEPTORS – OPERATION	167
⌚ Z415-SZ1 BODY ASSEMBLY W/ "TYPE S" STRAINER AND EZI™ TECHNOLOGY	81	⌚ Z1903 SANI-FLORECEPTOR INSTALLATION STABILIZER	330	GREASE INTERCEPTORS – PURPOSE	166
⌚ Z415-SZ1-DP BODY ASSEMBLY W/ "TYPE S" STRAINER, DECK PLATE AND EZI™ TECHNOLOGY	83	⌚ Z1910-RL 8" X 8" X 6" REPLACEMENT FLOOR SINK LINER	332	GREEN ROOFING DRAINAGE SOLUTIONS	16
⌚ Z499B ROUND PROTECTIVE COVER FOR FLOOR DRAINS	79	⌚ ZE1201-H EZCARRY® ADJUSTABLE HORIZONTAL SIPHON JET WITH ELONGATED FITTING – HUB AND SPIGOT SERIES	216	HYDRANTS – APPLICATION INDEX	264
⌚ Z499S SQUARE PROTECTIVE COVER FOR FLOOR DRAINS	79	⌚ ZE1201-N EZCARRY® ADJUSTABLE HORIZONTAL SIPHON JET WITH ELONGATED FITTING – NO-HUB SERIES	214	INTERCEPTORS – APPLICATION INDEX	166
⌚ Z1035 FLOOR DRAIN INSTALLATION STABILIZER	158	⌚ ZE1203-H ADJUSTABLE HORIZONTAL SIPHON JET WITH ELONGATED FITTING – HUB AND SPIGOT SERIES	234	INTERCEPTORS – GENERAL INFORMATION	166
⌚ Z1035-Q STRUCTURAL DECK DRAIN STABILIZER	158	⌚ ZE1203-N ADJUSTABLE HORIZONTAL SIPHON JET WITH ELONGATED FITTING – NO-HUB SERIES	232	OIL INTERCEPTORS – APPLICATION INDEX	188
⌚ Z1036 FLOOR DRAIN INSTALLATION STABILIZER	159	⌚ ZF1201-N EZCARRY® HORIZONTAL SIPHON JET ONE-PIECE CARRIER – NO-HUB SERIES	218	OIL INTERCEPTORS – GENERAL PRODUCT INFORMATION	188
⌚ Z1201-H EZCARRY® ADJUSTABLE HORIZONTAL HIGH PERFORMANCE SIPHON JET – HUB AND SPIGOT SERIES	210	⌚ ZF1202-N EZCARRY® VERTICAL SIPHON JET ONE-PIECE CARRIER – NO-HUB SERIES	226	ROOF DRAIN – APPLICATION INDEX	24
⌚ Z1201-N_3-F EZCARRY® ADJUSTABLE HORIZONTAL NO-HUB WATER CLOSET WITH FLOOR MOUNT BACK OUTLET FIXTURE SUPPORT	206	⌚ ZN1201-N EZCARRY® ADJUSTABLE HORIZONTAL SIPHON JET – NO-HUB NARROW WALL SYSTEM (9-3/8" DEPTH FRONT TO BACK)	219	ROOF DRAIN – GENERAL INFORMATION	24
⌚ Z1201-N_4-F EZCARRY® ADJUSTABLE HORIZONTAL NO-HUB WATER CLOSET WITH FLOOR MOUNT BACK OUTLET FIXTURE SUPPORT	207			ROOF DRAIN – PRODUCT COMPLIANCE	24
⌚ Z1201-N EZCARRY® ADJUSTABLE HORIZONTAL HIGH PERFORMANCE SIPHON JET – NO-HUB SERIES	208			SANI-FLORECEPTORS – MATERIAL SELECTION	324
⌚ Z1202-H EZCARRY® ADJUSTABLE VERTICAL HIGH PERFORMANCE SIPHON JET – HUB AND SPIGOT SERIES	222			SANI-FLORECEPTORS – OPTIONS AND VARIATIONS	324
⌚ Z1202-N EZCARRY® ADJUSTABLE VERTICAL HIGH PERFORMANCE SIPHON JET – NO-HUB SERIES	220			SOLIDS INTERCEPTORS – APPLICATION INDEX	180

ALPHANUMERIC INDEX

Z104 15" DIAMETER DEEP SUMP ROOF DRAIN WITH LOW SILHOUETTE DOME	29	Z325 INDIRECT WASTE FUNNEL WITH INTEGRAL BACKWATER VALVE	65	Z455 TRAP DRAIN WITH FLOOR CLEANOUT WITH "TYPE B" STRAINER	106
Z105 CONTROL-FLO™ ROOF DRAIN WITH PARABOLIC WEIR	30	Z326 INDIRECT WASTE FUNNEL	66	Z456 DEEP SEAL TRAP DRAIN WITH FLOOR CLEANOUT AND CLAMP COLLAR WITH "TYPE B" STRAINER	107
Z107 20" WIDE DECK FLANGE ROOF DRAIN	31	Z328 FUNNEL CONVERTING ASSEMBLY	66	Z460B SHALLOW BODY FLOOR DRAIN WITH SIDE OUTLET AND "TYPE B" STRAINER	108
Z108 15" DIAMETER DECK RECEPTOR DRAIN	32	Z329 FUNNEL CONVERTING ASSEMBLY	67	Z461 6" SQUARE MODULAR NON-ADJUSTABLE FLOOR DRAIN WITH CLAMPING FRAME	109
Z110 15" GREEN ROOF DRAIN WITH PERFORATED SCREEN ASSEMBLY, AND REMOVABLE COVER WITH LIFT HANDLE	33	Z349 TERRACE PLANTING AREA DRAIN	68	Z503 15" HEAVY-DUTY AREA DRAIN	109
Z110-AI GREEN ROOF DRAIN WITH PERFORATED SCREEN ASSEMBLY, REMOVABLE COVER WITH LIFT HANDLE, AND AUXILIARY INLET	34	Z350 PLANTING AREA DRAIN	68	Z505 12" HEAVY-DUTY DRAIN	110
Z111 12" DIAMETER FLAT DECK ROOF DRAIN FOR METAL DECKS	36	Z355 PRISON CELL FLOOR DRAIN	69	Z507 7" MEDIUM-DUTY DRAIN	111
Z121 12" DIAMETER ROOF DRAIN LOW SILHOUETTE DOME	37	Z400 "TYPE BL" ROUND STRAINER WITH DEX-O-TEX FLANGE	70	Z508 9" EXTRA-HEAVY-DUTY DRAIN	112
Z122 12" DIAMETER DECK RECEPTOR DRAIN	38	Z400 "TYPE B" ROUND STRAINER WITH HEEL-PROOF SQUARE OPENINGS	69	Z509 12-1/4" HEAVY-DUTY DRAIN	113
Z125 8-3/8" DIAMETER ROOF DRAIN LOW SILHOUETTE DOME	39	Z400 "TYPE C" ROUND HINGED STRAINER	71	Z511 9" HEAVY-DUTY DRAIN	114
Z127 8-1/2" DIAMETER DECK RECEPTOR DRAIN	40	Z400 "TYPE E" ROUND STRAINER WITH INTEGRAL FUNNEL	71	Z512 12-1/4" HEAVY-DUTY DRAIN	115
Z150 14" SQUARE TOP PROM-DECK DRAIN WITH HEEL-PROOF GRATE AND ROTATABLE FRAME	42	Z400 "TYPE G" ROUND STRAINER WITH DOME	72	Z513 9" SQUARE HINGED HEAVY-DUTY DRAIN	116
Z154 12" SQUARE TOP PROM-DECK DRAIN WITH HEEL-PROOF GRATE AND ROTATABLE FRAME	43	Z400 "TYPE H" ROUND STRAINER WITH CLAMP DEVICE	72	Z520 9-1/4" ADJUSTABLE HEAVY-DUTY DRAIN	117
Z158 10" SQUARE TOP PROM-DECK DRAIN WITH HEEL-PROOF GRATE AND ROTATABLE FRAME	44	Z400 "TYPE I" ROUND STRAINER WITH RAISED LIP	73	Z521 12-1/4" DIAMETER ADJUSTABLE HEAVY-DUTY DRAIN	118
Z160 135° SCUPPER DRAIN	45	Z400 "TYPE J" RECTANGULAR STRAINER WITH HEEL-PROOF SLOTTED OPENINGS	73	Z526 12-1/4" ADJUSTABLE HEAVY-DUTY DRAIN	119
Z161 3" X 10" OBLIQUE SCUPPER DRAIN	45	Z400 "TYPE K" ANGULAR STRAINER	74	Z530 9" MEDIUM-DUTY WIDE FLANGE DECK DRAIN	120
Z180 4-1/2" DIAMETER CORNICE DRAIN WITH BOTTOM OUTLET	48	Z400 "TYPE M" ROUND STRAINER WITH SLOTTED OPENINGS AND SUR-SET BUCKET	74	Z531 9" ADJUSTABLE FRAME WIDE FLANGE MEDIUM-DUTY DECK DRAIN	120
Z181 6" DIAMETER CORNICE DRAIN WITH BOTTOM OUTLET	49	Z400 "TYPE N" ROUND STRAINER WITH DEEP FLANGED GRATE	75	Z532 12-1/4" DIAMETER WIDE FLANGE HEAVY-DUTY FLOOR DRAIN	121
Z182 4-1/2" DIAMETER CORNICE DRAIN WITH 90° OUTLET	49	Z400 "TYPE SC" SQUARE STRAINER WITH SOLID HINGED COVER	76	Z533 9" DIAMETER HEAVY-DUTY PARKING DECK DRAIN WITH SUPPORT FLANGE	121
Z185 6" DIAMETER CORNICE DRAIN WITH 90° OUTLET	50	Z400 "TYPE SH" SQUARE HINGED STRAINER	77	Z534 12-1/4" DIAMETER HEAVY-DUTY PARKING DECK DRAIN WITH SUPPORT FLANGE	122
Z187 6" X 7" OR 8" X 12" OBLIQUE SCUPPER DRAIN	50	Z400 "TYPE S" SQUARE STRAINER	75	Z535 HEAVY-DUTY PARKING STRUCTURE DRAIN	122
Z189 5" X 6" X 11" SCUPPER DRAIN	51	Z400-U ADJUSTABLE STRAINER EXTENSION	78	Z536 15-3/8" DIAMETER HEAVY-DUTY PARKING DECK DRAIN WITH SUPPORT FLANGE	123
Z190 VERTICAL EXPANSION JOINT	51	Z415 BODY ASSEMBLY WITH HEEL-PROOF "TYPE B" STRAINER	86	Z537 15-7/8" SQUARE TOP HEAVY-DUTY PARKING DECK DRAIN WITH SUPPORT FLANGE	124
Z191 5" X 4" X 24" DOWNSPOUT BOOT	52	Z415 BODY ASSEMBLY WITH "TYPE BL" STRAINER	88	Z539 12-1/4" HEAVY-DUTY DRAIN WITH DEEP SUMP	124
Z191-RD 4" X 18" DOWNSPOUT BOOT	52	Z415 BODY ASSEMBLY WITH "TYPE C" STRAINER	89	Z540 12-1/4" MEDIUM-DUTY DRAIN WITH SUR-SET BUCKET	125
Z192 4" X 3" DOWNSPOUT BOOT	53	Z415 BODY ASSEMBLY WITH "TYPE E" STRAINER	90	Z541 12-1/4" DIAMETER HEAVY-DUTY DRAIN	126
Z193 VANDAL-PROOF HOODED VENT CAP	53	Z415 BODY ASSEMBLY WITH "TYPE G" STRAINER	91	Z545 16" DIAMETER HEAVY-DUTY DRAIN	127
Z195 VENT STACK FLASHING SLEEVE	54	Z415 BODY ASSEMBLY WITH "TYPE H" STRAINER	92	Z546 21-1/2" DIAMETER EXTRA HEAVY-DUTY DRAIN	128
Z196 VENT STACK FLASHING SLEEVE	54	Z415 BODY ASSEMBLY WITH "TYPE I" STRAINER	93	Z547 21" DIAMETER EXTRA HEAVY-DUTY HEEL-PROOF PARKING DECK DRAIN WITH SUPPORT FLANGE	128
Z197 RISER SLEEVE	55	Z415 BODY ASSEMBLY WITH "TYPE J" HEEL-PROOF STRAINER	94	Z550 9" DIAMETER MEDIUM-DUTY DRAIN	129
Z198 PARAPET SCUPPER SLEEVE	55	Z415 BODY ASSEMBLY WITH "TYPE K" STRAINER	95	Z551 9" DIAMETER MEDIUM-DUTY DRAIN	130
Z199-DC DOWNSPOUT COVER	58	Z415 BODY ASSEMBLY WITH "TYPE M" STRAINER AND SUR-SET BUCKET	96	Z554 9" MEDIUM-DUTY DRAIN WITH SUR-SET BUCKET	131
Z199 DOWNSPOUT NOZZLE	56	Z415 BODY ASSEMBLY WITH "TYPE N" STRAINER	97	Z556 8" ADJUSTABLE HEAVY-DUTY DRAIN	131
Z250H FOG-CEPTOR® INTERCEPTOR	168	Z415 BODY ASSEMBLY WITH "TYPE SC" STRAINER	100	Z566 12" SQUARE OPEN TOP DRAIN	132
Z300 THOROFLUSH DRAIN	63	Z415 BODY ASSEMBLY WITH "TYPE SH" STRAINER	101	Z575 6" X 12" MEDIUM-DUTY GUTTER DRAIN	132
Z310 THOROFLUSH DRAIN	63	Z415 BODY ASSEMBLY WITH "TYPE S" STRAINER	98	Z609 9" SQUARE HEAVY-DUTY DRAIN	133
Z315 VANDAL-PROOF ACCESS DRAIN	64	Z420 DEEP SHANK FLOOR AND SHOWER DRAIN FOR MARBLE AND GRANITE APPLICATIONS	102	Z610 12-1/2" HEAVY-DUTY DRAIN	134
Z319 THOROFLUSH DRAIN – LARGE CAPACITY	64	Z450 DRUM TRAP DRAIN WITH "TYPE B" STRAINER	103	Z611 9" MEDIUM-DUTY DRAIN	135
Z320 REFRIGERATOR DRAIN	65	Z451 SHALLOW TRAP DRAIN WITH "TYPE B" STRAINER	104	Z624 ISOLATION DECK DRAIN	136
		Z453 DEEP SEAL TRAP DRAIN WITH "TYPE B" STRAINER	105		

ALPHANUMERIC INDEX

Z625 ADJUSTABLE ISOLATION DECK DRAIN	136	Z1172-UN LARGE CAPACITY GREASE INTERCEPTOR WITH USER NOTIFICATION SYSTEM	176	Z1204-N ADJUSTABLE VERTICAL SIPHON JET – NO-HUB SERIES	238
Z627 HEAVY-DUTY ADJUSTABLE ISOLATION DECK DRAIN	137	Z1173 EJECTO-MATIC GREASE INTERCEPTOR	177	Z1207-N ADJUSTABLE HORIZONTAL HIGH ROUGH-IN SIPHON JET – NO-HUB	240
Z629 VERTICAL WALL DRAIN WITH BACKWATER VALVE	138	Z1173-TD EJECTO-MATIC GREASE INTERCEPTOR WITH GREASE ACCUMULATING CONE AND IN-LINE SHUTOFF VALVE	178	Z1208-H VERTICAL SIPHON JET WATER CLOSET SUPPORT SYSTEM – HUB AND SPIGOT	242
Z645 12-1/2" X 12-1/2" HEAVY-DUTY DRAIN	139	Z1174 GREASE EATING BACTERIA DOSING UNIT AND SOLIDS INTERCEPTOR COMBINATION	179	Z1208-N VERTICAL SIPHON JET WATER CLOSET SUPPORT SYSTEM – NO-HUB	241
Z662 16" HEAVY-DUTY DRAIN	140	Z1175 HAIR INTERCEPTOR	181	Z1209-N VERTICAL OFFSET SIPHON JET WATER CLOSET SUPPORT SYSTEM – NO-HUB	243
Z662-HF 16" HEAVY-DUTY DRAIN WITH HIGH FLOW DUCTILE IRON GRATE	141	Z1176 HAIR INTERCEPTOR	181	Z1212 WALL CLOSET SUPPORT SYSTEM	245
Z664 6" WIDE HEAVY-DUTY MODULAR TRENCH DRAIN	142	Z1180 SOLIDS INTERCEPTOR	182	Z1213-N 4" VERTICAL SIPHON JET WATER CLOSET SUPPORT SYSTEM – 2" OR 4" TOP VENT CLOSET FITTING ONLY (NO SUPPORT)	246
Z665 12" WIDE HEAVY-DUTY MODULAR TRENCH DRAIN	143	Z1181 SOLIDS INTERCEPTOR	182	Z1216 90° DOUBLE NO-HUB SYSTEM FOR FLOOR MOUNTED BACK OUTLET WATER CLOSETS	247
Z667 6" WIDE MEDIUM-DUTY MODULAR TRENCH DRAIN	144	Z1182 SIDE ACCESS SOLIDS INTERCEPTOR	183	Z1217 COUPLING TYPE SYSTEM – WALL URINAL/SERVICE SINK	248
Z668 11-1/4" X 19-1/4" HEAVY-DUTY DRAIN	144	Z1183-DF SOLIDS INTERCEPTOR WITH DISPOSABLE FILTER BAGS	184	Z1218 COUPLING TYPE SYSTEM – WALL URINAL/SERVICE SINK	249
Z673 29" X 30" EXTRA HEAVY-DUTY DRAIN	145	Z1183-FC SOLIDS INTERCEPTOR WITH FLUSH COVER	185	Z1221 PLATE TYPE SYSTEM – WALL URINALS	250
Z675 13-1/2" EXTRA HEAVY-DUTY DRAIN	146	Z1183 SOLIDS INTERCEPTOR	183	Z1222 PLATE TYPE SYSTEM – WITH BEARING PLATE	250
Z676 13-1/2" EXTRA HEAVY-DUTY DRAIN	146	Z1184 BOTTOM ACCESS SOLIDS INTERCEPTOR	186	Z1223 PLATE TYPE SYSTEM – TROUGH URINALS	251
Z730 9" TOP MEDIUM-DUTY DRAIN	147	Z1185 LINT INTERCEPTOR	187	Z1224 PLATE TYPE SYSTEM – LAVATORY WITH BACK	251
Z742 LIGHT-DUTY TRAP DRAIN	148	Z1186 OIL INTERCEPTOR	189	Z1225 PLATE TYPE SYSTEM – WATER COOLERS	252
Z1000 DEEP SEAL TRAP	152	Z1186-ST OIL INTERCEPTOR WITH INTEGRAL STORAGE TANK	190	Z1229 PLATE AND EXPOSED ARM – HEAVY SINKS	252
Z1019 FUNNEL DRAIN WITH "P" TRAP	152	Z1187 SAND AND SEDIMENT INTERCEPTOR	191	Z1231 CONCEALED ARM SYSTEM – WALL LAVATORIES	253
Z1020XL ELECTRONIC TRAP PRIMER	153	Z1187-SI SAND INTERCEPTOR	192	Z1236 EXPOSED ARM SYSTEM – WALL LAVATORIES/SINKS	254
Z1021 WATER SAVER TRAP PRIMER		Z1188 LARGE CAPACITY OIL INTERCEPTOR	193	Z1251 CONCEALED ARM SYSTEM – WALL SUPPORTED	255
Z1022-XL LEAD-FREE SANI-GARD AUTOMATIC TRAP PRIMER	154	Z1188-ST LARGE CAPACITY OIL INTERCEPTOR WITH INTEGRAL STORAGE TANK	194	Z1253 ADJUSTABLE CONCEALED ARM SYSTEM – WALL SUPPORTED	255
Z1023 TRAP PRIMER CONNECTION ADAPTER	154	Z1189 OIL/SEDIMENT INTERCEPTOR WITH HEAVY-DUTY GRATE	195	Z1255 EXPOSED ARM SYSTEM – WALL SUPPORTED	256
Z1024 FIXED AIR GAP	155	Z1194 OIL LEVEL SENSOR RETROFIT KIT	196	Z1256 EXPOSED ARM SYSTEM – WALL SUPPORTED	257
Z1025 FIXED AIR GAP	155	Z1196 OIL INTERCEPTOR WITH OIL LEVEL SENSOR	197	Z1257 EXPOSED ARM SYSTEM – WALL SUPPORTED	257
Z1030 HUB ADAPTER	156	Z1198 LARGE CAPACITY OIL INTERCEPTOR WITH OIL LEVEL SENSOR	198	Z1258 EXPOSED ARM SYSTEM – WALL SUPPORTED	258
Z1032 INSIDE CAULK REDUCER	156	Z1198-ST LARGE CAPACITY OIL INTERCEPTOR WITH INTEGRAL STORAGE TANK AND OIL LEVEL FLOAT SENSOR	199	Z1259 PLATE SYSTEM – WALL SUPPORTED	259
Z1033 FEMALE PIPE THREAD REDUCER	157	Z1200 CARRIER TOOLS AND ACCESSORIES	204	Z1280 WOOD STUD SUPPORTED WATER CLOSET CARRIER – NO-HUB	260
Z1034 FEMALE PIPE ECCENTRIC REDUCER	157	Z1201-N-XB EZCARRY® BARIATRIC CARRIER – 1000 LB ADJUSTABLE HORIZONTAL SIPHON JET – NO-HUB SERIES	212	Z1282 WOOD STUD SUPPORTED WATER CLOSET CARRIER – HUB AND SPIGOT	260
Z1040 NO-HUB ADAPTER	159	Z1201-N-XH EZCARRY® EXTRA HEAVY-DUTY 750 LB ADJUSTABLE HORIZONTAL SIPHON JET – NO-HUB SERIES	213	Z1283 WOOD STUD SUPPORTED WATER CLOSET CARRIER – PLASTIC PIPE	261
Z1042 ELBOW ADAPTER	160	Z1202-N-XB EZCARRY® BARIATRIC CARRIER – 1000 LB ADJUSTABLE VERTICAL SIPHON JET – NO-HUB SERIES	224	Z1284 CONCRETE FLOOR SUPPORTED WATER CLOSET CARRIER	261
Z1072 ZSHIELD™ BARRIER TRAP SEAL DEVICE FOR FLOOR DRAINS	151	Z1202-N-XH EZCARRY® EXTRA HEAVY-DUTY 750 LB ADJUSTABLE VERTICAL SIPHON JET – NO-HUB SERIES	225	Z1285 WOOD STUD SUPPORTED WATER CLOSET CARRIER	262
Z1088 BACKWATER VALVE GATE TYPE	160	Z1203-H ADJUSTABLE HORIZONTAL SIPHON JET – HUB AND SPIGOT SERIES	230	Z1300 ECOLOTROL WALL HYDRANT – ENCASED, NON-FREEZE, ANTI-SIPHON, AUTOMATIC DRAINING	265
Z1090 BACKWATER VALVE FLAPPER TYPE	161	Z1203-N ADJUSTABLE HORIZONTAL SIPHON JET – NO-HUB SERIES	228	Z1305 WALL HYDRANT – ENCASED, NON-FREEZE	265
Z1091 BACKWATER VALVE FLAPPER TYPE	161	Z1204-H ADJUSTABLE VERTICAL SIPHON JET – HUB AND SPIGOT SERIES	236	Z1310 ECOLOTROL WALL HYDRANT – EXPOSED, NON-FREEZE, ANTI-SIPHON, AUTOMATIC DRAINING	266
Z1095 BACKWATER VALVE FLAPPER TYPE	162			Z1315 WALL HYDRANT – EXPOSED, NON-FREEZE	266
Z1099 BACKWATER VALVE BALL FLOAT TYPE	163				
Z1165 100 PPM GREASE INTERCEPTOR SYSTEM WITH SOLIDS INTERCEPTOR	169				
Z1170 GREASE INTERCEPTOR	170				
Z1170-UN GREASE INTERCEPTOR WITH USER NOTIFICATION SYSTEM	171				
Z1171 LOW PROFILE GREASE INTERCEPTOR	173				
Z1171-TD LOW PROFILE GREASE INTERCEPTOR WITH ACCUMULATING CONE AND FLOW CONTROL TEE	174				
Z1172 LARGE CAPACITY GREASE INTERCEPTOR	175				

ALPHANUMERIC INDEX

Z1320XL ECOLOTROL CERAMIC DISC WALL HYDRANT – ENCASED, NON-FREEZE, ANTI-SIPHON, AUTOMATIC DRAINING	267	Z1464 WATER SUPPLY CONTROL BOX ASSEMBLY	299	Z1920 16" X 16" A.R.C. SANI-FLOOR RECEPTOR WITH 7" SUMP DEPTH	333
Z1321XL ECOLOTROL CERAMIC DISC WALL HYDRANT – EXPOSED, NON-FREEZE, ANTI-SIPHON, AUTOMATIC DRAINING	268	Z1468 ACCESS COVER AND PLUG	299	Z1926 16" X 16" A.R.C. SANI-FLOOR RECEPTOR WITH 12" SUMP DEPTH	334
Z1325 WALL HYDRANT – ENCASED, VARI-TEMP, NON-FREEZE	270	Z1469 ROUND ACCESS COVER	300	Z1930 8" X 4" A.R.C. SANI-FLOOR RECEPTOR WITH 4" SUMP DEPTH	335
Z1330XL ECOLOTROL CERAMIC DISC WALL HYDRANT – ENCASED, ANTI-SIPHON, AUTOMATIC DRAINING, MODERATE CLIMATE	271	Z1470 BRONZE CLEANOUT PLUG	300	Z1940 12" X 6" A.R.C. SANI-FLOOR RECEPTOR WITH 8" SUMP DEPTH	336
Z1333XL ECOLOTROL CERAMIC DISC WALL HYDRANT – EXPOSED, ANTI-SIPHON, AUTOMATIC DRAINING, MODERATE CLIMATE	272	Z1471 AIR INLET	301	Z1950 12" DIAMETER A.R.E. SANI-FLOOR RECEPTOR WITH 8" SUMP DEPTH	337
Z1335 WALL HYDRANT – ENCASED, MODERATE CLIMATE	272	Z1474 HEAVY-DUTY CLEANOUT HOUSING	301	Z1960 8" DIAMETER A.R.E. SANI-FLOOR RECEPTOR WITH 6" SUMP DEPTH	338
Z1350 NARROW WALL HYDRANT – ENCASED, MODERATE CLIMATE	273	Z1700 SHOKTROLS	304	Z1970 9" DIAMETER SHALLOW A.R.C. SANI-FLOOR RECEPTOR WITH 3" SUMP DEPTH	339
Z1360XL GROUND HYDRANT – ENCASED, FLUSH TYPE, NON-FREEZE	274	Z1712 ACCUMUTROL	304	Z1982 12" X 12" STAINLESS STEEL SANI-FLOOR CAN WASH DRAIN WITH 8" SUMP DEPTH	340
Z1365 GROUND HYDRANT – ENCASED, FLUSH TYPE, NON-FREEZE	275	Z1715 15" DIAMETER ROOF DRAIN	307	Z1995 24" X 16" A.R.C. SANI-FLOOR RECEPTOR WITH 17" SUMP DEPTH	340
Z1370 GROUND HYDRANT – ENCASED, HOSE STORAGE, NON-FREEZE	276	Z1717 SCUPPER DRAIN	307	ZF110-R 15" GREEN ROOF BOX - PERFORATED SCREEN ASSEMBLY	35
Z1375 GROUND HYDRANT – ENCASED, MODERATE CLIMATE, INTERIOR USE	277	Z1720 4" X 8" OPEN SIGHT DRIP DRAIN	308	ZF110-S GREEN ROOF BOX - PERFORATED SCREEN ASSEMBLY, REMOVABLE COVER	36
Z1385 POST HYDRANT – EXPOSED HEAD, NON-FREEZE	277	Z1721 6" X 12" OPEN SIGHT DRIP DRAIN	308	ZF199 CHAMELEON DOWNSPOUT NOZZLE WITH FLAPPER	57
Z1388XL ROOF HYDRANT – EXPOSED HEAD, NON-FREEZE	278	Z1724 ROUND FUNNEL	309	ZF7000 FLOW SENSOR	58
Z1390 POST HYDRANT – EXPOSED HEAD, NON-FREEZE	278	Z1725 OVAL FUNNEL	309	ZN1209-N VERTICAL OFFSET SIPHON JET – NO-HUB NARROW WALL SYSTEM	244
Z1395XL YARD HYDRANT – EXPOSED HEAD, NON-FREEZE	279	Z1726 ADJUSTABLE MEDIUM DUTY FLOOR DRAIN WITH ROUND TOP	310	ZS400 "TYPE BS" ROUND STRAINER WITH SLOTTED OPENINGS	70
Z1397XL FLO-TROL YARD HYDRANT – EXPOSED HEAD, NON-FREEZE	280	Z1727 ADJUSTABLE MEDIUM DUTY FLOOR DRAIN WITH SQUARE TOP	311	ZS400 "TYPE SS" SQUARE STRAINER	76
Z1400 EXTRA HEAVY-DUTY "LEVEL-TROL" ADJUSTABLE FLOOR CLEANOUT	289	Z1730 9" DIAMETER HEAVY-DUTY SHALLOW TYPE FLOOR DRAIN	312	ZS415 BODY ASSEMBLY WITH "TYPE BS" STRAINER	87
Z1400-K HEAVY-DUTY "LEVEL-TROL" ADJUSTABLE FLOOR CLEANOUT WITH ANCHOR FLANGE	290	Z1731 9" DIAMETER HEAVY-DUTY MEDIUM DEPTH FLOOR DRAIN	312	ZS415 BODY ASSEMBLY WITH "TYPE SS" STRAINER	99
Z1402 HEAVY-DUTY NON-ADJUSTABLE FLOOR CLEANOUT	291	Z1732 9-5/8" DIAMETER HEAVY-DUTY ADJUSTABLE FLOOR DRAIN	313	ZS1170 GREASE INTERCEPTOR STAINLESS STEEL	172
Z1404 HEAVY-DUTY FLOOR ACCESS HOUSING	292	Z1735 12" DIAMETER HEAVY-DUTY FLOOR DRAIN	313		
Z1406 HEAVY-DUTY ADJUSTABLE SPIGOT CLEANOUT	292	Z1736 12" DIAMETER EXTRA HEAVY-DUTY FLOOR DRAIN	314		
Z1440 CLEANOUT FERRULE WITH PLUG	293	Z1737 15" DIAMETER EXTRA HEAVY-DUTY FLOOR DRAIN	314		
Z1445 CLEANOUT TEE	294	Z1739 PIT DRAIN	315		
Z1446 CLEANOUT WITH ROUND WALL ACCESS COVER	294	Z1740 BACKWATER VALVE	315		
Z1449 CLEANOUT FERRULE WITH PLUG	295	Z1745 FLOOR CLEANOUT WITH O-RING SEAL PLUG	316		
Z1454 ADJUSTABLE FLOOR CLEANOUT WITH FLASHING FLANGE	295	Z1749 12" X 12" SANI-FLOOR RECEPTOR WITH 4" SUMP DEPTH	317		
Z1456 DECK CLEANOUT	296	Z1750 12" X 12" SANI-FLOOR RECEPTOR WITH 6" SUMP DEPTH	318		
Z1457 FLOOR ACCESS COVER	296	Z1751 12" X 12" SANI-FLOOR RECEPTOR WITH 8" SUMP DEPTH	319		
Z1460 SQUARE WALL ACCESS PANEL	297	Z1752 12" X 12" SANI-FLOOR RECEPTOR WITH 10" SUMP DEPTH	320		
Z1461 SQUARE HINGED ACCESS PANEL	297	Z1755 13-3/8" SQUARE SANI-FLOOR RECEPTOR 6" SUMP WITH ADJUSTABLE CLAMP FRAME	321		
Z1462 SECURED WALL ACCESS PANEL	298	Z1761 24-5/16" SQUARE KETTLE DRAIN WITH 8" SUMP DEPTH	321		
Z1463 ROUND SCORIATED ACCESS COVER	298	Z1762 25" X 15-1/2" KETTLE DRAIN	322		
		Z1763 37-9/16" X 22-7/8" KETTLE DRAIN	322		
		Z1900 12" X 12" A.R.E. SANI-FLOOR RECEPTOR WITH 6" SUMP DEPTH	325		
		Z1901 12" X 12" A.R.E. SANI-FLOOR RECEPTOR WITH 8" SUMP DEPTH	327		
		Z1902 12" X 12" A.R.E. SANI-FLOOR RECEPTOR WITH 10" SUMP DEPTH	329		
		Z1910 8" X 8" A.R.E. SANI-FLOOR RECEPTOR WITH 6" SUMP DEPTH	331		

GENERAL TERMS AND CONDITIONS

PRICE AND TERMS OF PAYMENT

Terms are net, payable 30 days from date of invoice. Zurn Credit must be identified of potential pricing errors within 30 days of invoice date. Shortage claims must be reported within 10 working days of receiving product to your local Zurn Rep or Zurn Customer Care. All pricing in U.S. currency. The Buyer shall pay all sales, consumers, or other applicable taxes. A 1-1/2% monthly (18% annual) service charge will be added to the outstanding balance of all past due invoices.

Minimum invoice \$250.00. Zurn Industries, LLC ("Zurn") reserves the right to apply a minimum order charge in order to meet the \$250.00 minimum invoice requirement. All orders are subject to credit approval by the Zurn Credit Department prior to the acceptance of an order. Orders may be refused, delivery may be withheld, or shipment stopped in transit without any liability on Zurn's part at Zurn's sole discretion based upon Buyer's credit worthiness as determined by Zurn.

FREIGHT

All sales are F.O.B. seller's location. Zurn will allow full freight allowance when any of the following conditions are met: 1) Plumbing Fixtures only orders totaling \$10,000 or more; 2) Zurn One Systems orders of \$7,500 or more; 3) Any combination of Linear Drainage and/or Stainless Drains orders of \$5,000 or more; 4) Any combination of Specification Drainage, Finish Plumbing, and/or Zurn Wilkins of \$5,000 or more; 5) Commercial Drainage only orders of \$3,500 or more; 6) PEX orders of \$3,000 or more. This full freight allowance applies when the shipment is within the continental United States and has a single destination of a Buyer's standard address or job location. Routing of shipment shall be determined at the sole discretion of Zurn. Shipping dates are estimates and time of delivery shall not be of the essence of this sale contract. Under no circumstances will the Seller have any responsibility on account of any delays in manufacture, transportation, or otherwise. Terms of Export Shipment on application.

NOTE: Shipments in excess of 90" long or 3,000 lbs may be subject to additional charges, and shall be defined as an oversized and/or overweight product and Zurn's standard FFA terms may not apply. Please contact our Customer Service Department for guidance on potential additional shipping charges. This new policy supersedes any existing agreements.

These charges and restrictions apply in addition to Zurn standard terms and conditions for sale unless otherwise agreed upon by the parties.

LIMITED WARRANTY

Zurn goods sold hereunder are warranted to be free from defects in material and factory workmanship for the period of time from the date of purchase: AquaVantage® Flush Valves, AquaFlush® Flush Valves, Commercial Fixtures, Faucets, Showers, and Tubular Brass: three years; Chemical Drainage, Linear Drainage, Commercial Drainage, Specification Drainage, Zurn Wilkins, and Flush Valve, Faucets, and Tubular Brass decorative finishes: one year; PHIX® Cartridge: ten years; FOG-ceptor®: thirty years. Where permitted by law, **THE IMPLIED WARRANTY OF MERCHANTABILITY IS LIMITED TO THE ABOVE IDENTIFIED PERIOD OF TIME AND SHALL BE LIMITED SOLELY TO THE REPLACEMENT OF THE DEFECTIVE GOODS.** A damaged/broken test cock or ball valve is not considered defective. Please contact Zurn Customer Care for assistance.

Zurn will replace goods at no cost that prove defective provided Zurn is notified in writing of such defect and the goods are returned prepaid at the specified Zurn location with evidence that they have been properly maintained and used in accordance with instructions. **ZURN SHALL NOT BE RESPONSIBLE FOR ANY LABOR CHARGES OR ANY LOSS, INJURY, OR DAMAGES WHATSOEVER, INCLUDING, BUT NOT LIMITED TO, INCIDENTAL OR CONSEQUENTIAL DAMAGES.** The sole and exclusive remedy shall be limited to the replacement of the defective goods. Before installation and use, the purchaser shall determine the suitability of the product for his intended use and the purchaser assumes all risk and liability whatever in the connection therewith. All weights stated in Zurn catalogs and lists are approximate and are not guaranteed.

RETURNED GOODS

Standard cataloged material may be returned only with the written permission of Zurn. Returned goods are subject to a 25% restocking charge of total saleable material returned, plus the cost of reconditioning, if necessary, to make material sellable. Transportation charges are the responsibility of the Buyer. Credit allowance will be in the form of merchandise credit only – not cash credit. The value of the return must total at least \$100.00 to qualify for credit allowance. No credit will be allowed for parts unless originally ordered and invoiced as parts. No credit will be allowed for discontinued or made-to-order items. Items that have been specially made are not subject to return or cancellation except by special negotiation. Material must be returned within one year of invoice date for credit to be issued for Commercial Fixtures, Flush Valve Products, Specification Drainage, Tubular Brass, Zurn Wilkins, Chemical Drainage, Linear Drainage, and Commercial Drainage. No credit is allowed for Linear Drainage products that have been cut and Specification Drainage product with auxiliary tappings. Flush Valve material over one year old will be subject to a 50% handling charge. Flush Valve material over five years old will not be accepted. Commercial Drainage and Specification Drainage galvanized material will be credited at value of Dura-Coated cast iron, and chrome-plated at value of bronze. Zurn Wilkins damaged/broken test cocks or ball valves are not considered defective.

ILLUSTRATIONS OF TYPICAL INSTALLATIONS

The typical installations for various products found in each product section are intended to illustrate the products and potential options for the use of these products. Under no circumstances are they to be construed as recommended installation procedures. Consult local codes and project specifications for proper installation instructions.

SHORTAGE/DAMAGE CLAIMS

Notification of material shortages or incorrect filling of orders must be made to Zurn within 10 days of receipt. No claims over three months old will be honored. Buyer agrees to make all complaints for damage in transit or "short count" directly to the carrier; before the contents are unloaded have the carrier agent's acknowledgment of such damage noted on the bill of lading and to present to the carrier its agent's acknowledgment of such damaged material with formal claim covering said damage.

GENERAL

Zurn reserves the right to make changes in design or equipment of any item or product without incurring any obligation on previously sold items, and to discontinue items at any time, without notice. Possession of this Catalog or other sales literature is not to be construed as an offer to sell. All orders are subject to acceptance by Zurn. Catalog printed in U.S.A.

Zurn flush valves are designed to comply with Army Corp of Engineers and Naval guide specifications, Military Specification MIL.V.29193 and Federal Specification WWP541.

Zurn flush valves comply with the following standards: ASME A112.18.1/CSA B125.1, A112.19.5, A112.19.2, A112.19.6, ASSE 1037 and 101 are listed by the following agencies: Canadian Standards, IAPMO/UPC/CUPC, and CSA 125.3. Zurn flush valves are manufactured from dezincification resistant alloys. For additional compliances, contact Zurn Industries, LLC, Finish Plumbing Operation, or 1-800-997-3876.

Zurn is not responsible for typographical errors. The contents of this guide are subject to revision without notice.

© 2022 Zurn Industries, LLC Items in this guide may be covered by U.S. and foreign Patents and Patents Pending. Registered Trademarks.

by  Water Solutions

ZURN INDUSTRIES, LLC Specification Drainage Operation
1801 Pittsburgh Avenue, Erie, PA 16502, 855.663.9876

In Canada: **ZURN INDUSTRIES LIMITED**
7900 Goreway Drive, Unit 10, Brampton, Ontario L6T 5W6, 877.892.5216
Form No. 210-041, 11/21

US 1.855.ONE.ZURN CANADA 1.877.892.5216 [ZURN.COM](https://www.zurn.com)