

Trench Drain Systems

TD0423 Customer Guide – CANADA



by **zurn** ELKAY Water Solutions



Effective April 1, 2023
Replaces All Previous Price Lists

TRENCH DRAIN SYSTEMS

PERMA-TRENCH®

Z886 6" WIDE TRENCH DRAIN SYSTEM	2
Z882 12" WIDE TRENCH DRAIN SYSTEM	4
Z874-12 TRENCH DRAIN SYSTEM	5
Z874-18 TRENCH DRAIN SYSTEM	6
Z874-21 TRENCH DRAIN SYSTEM	7
Z874-U-XX-LDRA LIGHT-DUTY UTILITY TRENCH WITH ALUMINUM FRAME, CLAMP, AND SOLID COVER	8
Z874-U-XX-LDRS LIGHT-DUTY UTILITY TRENCH WITH ALUMINUM FRAME AND CLAMP WITH SOLID STEEL COVER	8
Z874-U-XX-HD HEAVY-DUTY UTILITY TRENCH WITH STEEL FRAME AND DUCTILE IRON SOLID COVER	8
Z880 2-1/2" WIDE TRENCH DRAIN SYSTEM	9
Z884 4-3/4" WIDE SHALLOW DRAIN SYSTEM	9
Z883 6" WIDE SHALLOW TRENCH DRAIN SYSTEM	10
Z887 CATCH BASIN	11

STAINLESS / SANI-FLO®

ZS880 STAINLESS STEEL LINEAR SHOWER DRAIN	12
Z890 6" STAINLESS STEEL TRENCH DRAIN SYSTEM	13
Z895 12" STAINLESS STEEL TRENCH DRAIN SYSTEM	14
Z898 18" WIDE TRENCH DRAIN SYSTEM	15
Z894 24" WIDE TRENCH DRAIN SYSTEM	16
Z899-100 ELEVATOR TRENCH DRAIN SYSTEM	17
Z891 STAINLESS STEEL SLOTTED DRAINAGE SYSTEM	17
Z893 STAINLESS STEEL FLOOR RECEPTOR WITH BAR GRATE	18
Z897 STAINLESS STEEL CATCH BASIN	19

SLOT DRAIN / HI-CAP®

Z888-4 SLOTTED DRAINAGE SYSTEM	21
Z888-6 SLOTTED DRAINAGE SYSTEM	21
Z888-8 SLOTTED DRAINAGE SYSTEM	21
Z888-12,-18 HIGH CAPACITY TRENCH DRAIN SYSTEM SLOTTED DRAINAGE SYSTEM	22
Z889-12,-18 HIGH CAPACITY CLEANOUT PORT	22

ALUMINUM TRENCH

ZA880-156 EXTRUDED ALUMINUM TRENCH DRAIN SYSTEM	23
ZA880-300A EXTRUDED ALUMINUM TRENCH DRAIN SYSTEM (PRICING WITHOUT GRATE)	23
ZA880-300B EXTRUDED ALUMINUM TRENCH DRAIN SYSTEM (PRICING WITHOUT GRATE)	23
ZA880-340 EXTRUDED ALUMINUM TRENCH DRAIN SYSTEM (PRICING WITHOUT GRATE)	23

FIBERGLASS

ZF806 6" WIDE TRENCH DRAIN SYSTEM	24
ZF812 12" WIDE TRENCH DRAIN SYSTEM	26
ZF817 CATCH BASIN	27

FRAME AND GRATE SYSTEMS

Z706 6" WIDE FRAME AND GRATE SYSTEM	28
Z712 12" WIDE FRAME AND GRATE SYSTEM	28
Z717 17" WIDE FRAME AND GRATE SYSTEM	28
Z723 23" WIDE FRAME AND GRATE SYSTEM	29
Z726 26" WIDE FRAME AND GRATE SYSTEM	29

OIL SEPARATORS

Z885 POLYETHYLENE OIL SEPARATOR	30
--	-----------

TECHNICAL INFORMATION

GENERAL TERMS AND CONDITIONS	32
------------------------------	-----------



Denotes products made in the U.S.A.

PLEASE NOTE

All products require a minimum of 4" new concrete encasement.

POA = Price On Availability

‡ Indicates grate will be shipped unpainted. For an additional charge, Zurn will paint the grates. Please contact your customer service representative for pricing.

Z886 6" WIDE TRENCH DRAIN SYSTEM



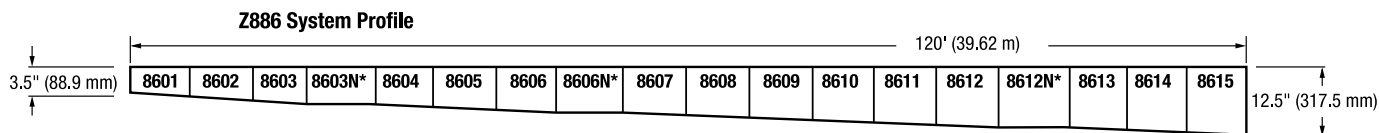
Standard Length: 80" (6.67')
Standard Grate Included: DGC

ENGINEERING SPECIFICATION

Channels shall be 80" long, 6" wide, and have a 4" wide throat. Modular channel sections shall be made of High Density Polyethylene (HDPE), have interlocking ends, and radiused bottom. Channel shall be provided either flat (neutral) or with a .75% built-in slope. Channels shall be available with inverts ranging from 3.5" to 12.50". Channels shall have clips molded into the sides of the channel to accommodate vertical rebar for positioning and anchoring purposes. Choices of class A thru F grates shall be available with H-20 and/or FAA load ratings and/or ADA compliance with mechanical lockdown devices. End caps and catch basins shall be available to complement the channels and grates. End outlets, bottom outlets, and side outlets shall be available in 2", 3", 4", and 6" diameters. Trench drain shall be Flo-Thru model Z886.

Trench Number	Shallow Invert		Deep Invert		Flow Rate		
	In.	mm	In.	mm	cfs	gpm	lps
8601	3.50	89	4.10	104	0.207	93	6
8602	4.10	104	4.70	119	0.272	122	8
8603	4.70	119	5.30	135	0.339	152	10
8603N	5.30	135	5.30	135	-	-	-
8604	5.30	135	5.90	150	0.408	183	12
8605	5.90	150	6.50	165	0.477	214	14
8606	6.50	165	7.10	180	0.546	245	16
8606N	7.10	180	7.10	180	-	-	-
8607	7.10	180	7.70	196	0.615	276	17
8608	7.70	196	8.30	211	0.686	308	19
8609	8.30	211	8.90	226	0.755	339	21
8610	8.90	226	9.50	241	0.827	371	23
8611	9.50	241	10.1	257	0.898	403	26
8612	10.10	257	10.70	272	0.969	435	28
8612N	10.70	272	10.70	272	-	-	-
8613	10.70	272	11.30	287	1.041	467	30
8614	11.30	287	11.90	302	1.11	498	32
8615	11.90	302	12.50	318	1.181	530	34

SERVICE CHARGES		ADD/ EACH
Fabrication	- 45°; 90°; Tee; Side Outlet Fabs	357.00
	- Cross Fabs	709.00
Cutting	Cutting for Each Cut Only	128.00
Radiused Channel		POA
PART NO.	80" (2032MM) SLOPED & NEUTRAL SECTIONS	EACH PER FOOT
P-886	Channels Only	514.00 77.00
PART NO.	CAST GRATES - 20" (508MM)	EACH PER FOOT
P6-BZ	Bronze Decorative Grate - Class A	887.00 532.00
P6-DC	Ductile Iron Solid Cover - Class C	112.00 67.00
P6-DC-G	Galvanized Ductile Solid Cover - Class C	159.00 95.00
P6-DGC	Ductile Iron Slotted Grate - Class C	110.00 66.00
P6-DGE	Ductile Iron Slotted - Class E	139.00 83.00
P6-DBG	Ductile Iron Slotted Grate - Class C	115.00 69.00
P6-GDC	Galvanized Ductile Grate - Class C	139.00 83.00
P6-GDE	Galvanized Ductile Grate - Class E	139.00 83.00
P6-BG	Galvanized Ductile Iron Cast Bar Grate - Class C	154.00 92.00
P6-HPD	Heel Proof Longitudinal Ductile ADA Grate - Class B	99.00 59.00
P6-LD	Longitudinal Ductile Grate - Class B	130.00 78.00
P6-HPP	Heel-Proof Polyethylene ADA Grate - Class A (Light Duty)	59.00 35.00
P6-GG	Fiberglass Grate - Class A	474.00 284.00
P6-FGF	Ductile Iron Frame and Slotted Grate - Class F	270.00 162.00
PART NO.	FABRICATED GRATES - 40" (1016MM)	EACH PER FOOT
P6-FG	Fabricated Galvanized Steel Slotted Grate - Class A	147.00 44.00
P6-RFGC	Reinforced Galvanized Steel Slotted Grate - Class C	327.00 98.00
P6-PG	Galvanized Perforated Steel ADA Grate - Class A	134.00 40.00
P6-RPGC	Reinforced Galvanized Perforated Grate - Class C	327.00 98.00
PART NO.	STAINLESS GRATES - 40" (1016MM)	EACH PER FOOT
P6-FS	Fabricated Stainless Steel Slotted Grate - Class A	407.00 122.00
P6-RFSC	Reinforced Galvanized Stainless Steel Slotted Grate - Class C	867.00 260.00
P6-PS	Stainless Steel Perforated Grate - Class A	370.00 111.00
P6-RPSC	Reinforced Stainless Steel Perforated ADA Grate - Class C	864.00 259.00
PART NO.	STAINLESS GRATES - 20" (508MM)	EACH PER FOOT
P6-SBG	Stainless Steel Bar Grate - Class E	742.00 445.00



For additional product information, please visit www.zurn.ca

*Regularly furnished unless otherwise specified.
†Indicates grate will be shipped unpainted. For an additional charge, Zurn will paint the grates. Please contact your customer service representative for pricing.

Z886 6" WIDE TRENCH DRAIN SYSTEM

PART NO.		EACH
P886-E1	Closed End Cap	30.00
P886-E2	2" (50.8mm) No Hub End Outlet	30.00
P886-E3	3" (76.2mm) No Hub End Outlet	30.00
P886-E4	4" (101.6mm) No Hub End Outlet	30.00
P886-E6	6" (152.4mm) No Hub End Outlet	30.00
P886-U2	2" (50.8mm) No Hub Bottom Outlet	30.00
P886-U3	3" (76.2mm) No Hub Bottom Outlet	30.00
P886-U4	4" (101.6mm) No Hub Bottom Outlet	30.00
P886-U6	6" (152.4mm) No Hub Bottom Outlet	30.00
P6-DB	Dome Bottom Strainer	82.00
P886-JC	Joint Connector	60.00
P886-GL	Grate Lockdown (Bag of 4)	28.00
P886-SVF	Type 304 Stainless Steel Top Veneer Frame	154.00
PSS-886-FEC	Frame End Cap (Stainless)	173.00
P886-HDF	Heavy Duty Steel Frame Assembly with Anchor Studs and Grate Lockdown Hardware	440.00
P886-HDG	Galvanized Heavy Duty Steel Frame Assembly with Anchor Studs and Grate Lockdown Hardware	557.00
P886-ECVR	Heavy Duty Frame End Cover	58.00
P886-HDS	Stainless Steel Heavy Duty Frame Assembly with Studs and Grate Lockdown Hardware	1,389.00
P886-SW	8.1" (205.74mm) High Sidewall Extension Adapter (Per Pair)	1,116.00

PERMA-TRENCH®

STAINLESS / SANI-FLO®

SLOT DRAIN / HI-CAP®

ALUMINUM TRENCH

FIBERGLASS

FRAME AND GRATE SYSTEMS

OIL SEPARATORS

*Regularly furnished unless otherwise specified.

‡Indicates grate will be shipped unpainted. For an additional charge, Zurn will paint the grates. Please contact your customer service representative for pricing.

For additional product information, please visit www.zurn.ca

Z882 12" WIDE TRENCH DRAIN SYSTEM



Standard Length: 8'
Standard Grate Included: DGC

ENGINEERING SPECIFICATION

Channels shall be 8" long, 12" wide, and have a 9-1/4" wide throat. Modular channel sections shall be made of High Density Polyethylene (HDPE), have interlocking ends, and radiused bottom. Channel shall be provided with no slope (neutral) or with a 1.04% built-in slope. Channels shall be available with inverts ranging from 6.25" to 18.25". Channels shall have clips molded into the sides of the channel to accommodate vertical rebar for positioning and anchoring purposes. Choices of class A thru F grates shall be available with H-20 and/or FAA load ratings and/or ADA compliance with mechanical lockdown devices. A heavy-duty steel frame shall be provided to distribute weight between the grates and the HDPE channel. End caps and catch basins shall be available to complement the channels and grates. End outlets, bottom outlets, and side outlets shall be available in 4", 6", and 8" diameters. Trench drain shall be Flo-Thru model Z882.

Trench Number	Shallow Invert		Deep Invert		Flow Rate		
	In.	mm	In.	mm	cfs	gpm	lps
8201	6.25	159	7.25	184	1.241	557	35
8202	7.25	184	8.25	210	1.725	774	49
8203	8.25	210	9.25	235	2.226	999	63
8203N	9.25	235	9.25	235	-	-	-
8204	9.25	235	10.25	260	2.745	1232	78
8205	10.25	260	11.25	286	3.271	1468	93
8206	11.25	286	12.25	311	3.808	1709	108
8206N	12.25	311	12.25	311	-	-	-
8207	12.25	311	13.25	337	4.347	1951	123
8208	13.25	337	14.25	362	4.893	2196	139
8209	14.25	362	15.25	387	5.443	2443	155
8209N	15.25	387	15.25	387	-	-	-
8210	15.25	387	16.25	413	5.996	2691	170
8211	16.25	413	17.25	438	6.551	2940	186
8212	17.25	438	18.25	464	7.106	3189	202

SERVICE CHARGES		ADD/EACH	
Fabrication	- 45°; 90°; Tee; Side Outlet Fabs	709.00	
	- Cross Fabs	1,411.00	
Cutting	Cutting for Each Cut Only	185.00	
Radiused Channel		POA	
8" (2434.4MM) CHANNELS - SLOPED & NEUTRAL SECTIONS		EACH	PER FOOT
P882	P-882-1 through P-882-12	552.00	69.00
8" (2434.4MM) FRAMES		EACH	PER FOOT
P882-HDF	Heavy Duty Frame Assembly	928.00	116.00
P882-HDG	Galvanized Frame Assembly	1,304.00	163.00
P882-HDS	Stainless Steel Frame Assembly	4,688.00	586.00
CAST GRATES - 24" (609.6MM)		EACH	PER FOOT
P12-DC	Ductile Iron Solid Cover - Class C	478.00	239.00
P12-DGC	Ductile Iron Slotted Grate - Class C	372.00	186.00
P12-DGE	Ductile Iron Slotted - Class E	384.00	192.00
P12-DGF	Ductile Iron Slotted - Class F	562.00	281.00
P12-GDC	Galvanized Ductile Grate - Class C	474.00	237.00
P12-GDE	Galvanized Ductile Grate - Class E	550.00	275.00
P12-GDF	Galvanized Ductile Grate - Class F	686.00	343.00
P12-HPD	Heel Proof Longitudinal Ductile ADA Grate - Class B	408.00	204.00
P12-GHPD	Galvanized Heel Proof Longitudinal Ductile ADA Grate - Class B	538.00	269.00
FABRICATED GRATES - 24" (609.6MM)		EACH	PER FOOT
P12-BG	Galvanized Ductile Iron Bar Grate - Class D	494.00	247.00
P12-FG	Fabricated Galvanized Steel Slotted Grate - Class A	362.00	181.00
P12-RFG	Reinforced Galvanized Steel Slotted Grate - Class B	946.00	473.00
P12-PG	Galvanized Perforated Steel ADA Grate - Class A	364.00	182.00
P12-RPG	Reinforced Galvanized Perforated Grate - Class B	910.00	455.00
P12-GG	Fiberglass Grate - Class A	570.00	285.00
STAINLESS GRATES - 24" (609.6MM)		EACH	PER FOOT
P12-FS	Fabricated Stainless Steel Slotted Grate - Class A	878.00	439.00
P12-RFSC	Reinforced Galvanized Stainless Steel Slotted Grate - Class C	1,626.00	813.00
P12-PS	Stainless Steel Perforated Grate - Class A	1,180.00	590.00
P12-RPSC	Reinforced Stainless Steel Perforated ADA Grate - Class C	1,744.00	872.00
P12-SBG-L	Stainless Steel Bar Grate - Class C	2,706.00	1,353.00
PART NO.		EACH	
P882-E1	Closed End Cap	58.00	
P882-E4	4" (101.6mm) No Hub End Outlet	58.00	
P882-E6	6" (152.4mm) No Hub End Outlet	58.00	
P882-E8	8" (203.2mm) No Hub End Outlet	58.00	
P882-U4	4" (101.6mm) No Hub Bottom Outlet	63.00	
P882-U6	6" (152.4mm) No Hub Bottom Outlet	63.00	
P882-U8	8" (203.2mm) No Hub Bottom Outlet	63.00	
P882-SW	11" (279.4mm) High Sidewall Extension Adapter (Per Pair)	891.00	
P12-ECVR	Frame End Cap (Black) (2 pcs.)	40.00	
P12-ECVR-G	Frame End Cap (Galvanized) (2 pcs.)	58.00	
P12-ECVR-SS	Frame End Cap (Stainless) (2 pcs.)	101.00	
P12-DB	Dome Bottom Strainer	173.00	
P882-JC	Joint Connector	84.00	

For additional product information, please visit www.zurn.ca

*Regularly furnished unless otherwise specified.

†Indicates grate will be shipped unpainted. For an additional charge, Zurn will paint the grates. Please contact your customer service representative for pricing.

PERMA-TRENCH®
STAINLESS / SANI-FLO®
SLOT DRAIN / HI-CAP®
ALUMINUM TRENCH
FIBERGLASS
FRAME AND GRATE SYSTEMS
OIL SEPARATORS

Z874-12 TRENCH DRAIN SYSTEM



Standard Length: 80" (6.67')
Standard Grate Included: DGC

ENGINEERING SPECIFICATION

Channels shall be 80" long, 17" wide, and have a 12" wide throat. Modular channel sections shall be made of High Density Polyethylene (HDPE), have interlocking ends, and radiused bottom. Channel shall be provided with no slope (neutral) or with a 1.00% built-in slope. Channels shall be available with inverts ranging from 9.25" to 34.21". Channels shall have clips attached to the frame to accommodate vertical rebar for positioning and anchoring purposes. Choices of class A thru F grates shall be available with H-20 and/or FAA load ratings and/or ADA compliance with mechanical lockdown devices. A heavy-duty steel frame shall be provided to distribute weight between the grates and the HDPE channel. End caps and catch basins shall be available to complement the channels and grates. End outlets, bottom outlets, and side outlets shall be available in 4", 6", and 8" diameters. Trench drain shall be Flo-Thru model Z874-12.

Trench Number	Shallow Invert		Deep Invert		Flow Rate		
	In.	mm	In.	mm	cfs	gpm	lps
1201P	9.250	235	10.082	256	3.306	1475	93
1202P	10.082	256	10.914	277	3.941	1758	111
1203P	10.914	277	11.746	298	4.589	2048	129
1204P	11.746	298	12.578	319	5.248	2341	148
1205P	12.578	319	13.41	341	5.915	2639	166
1205NP	13.410	341	13.410	341	-	-	-
1206P	13.410	341	14.242	362	6.589	2939	185
1207P	14.242	362	15.074	383	7.268	3243	205
1208P	15.074	383	15.906	404	7.953	3548	224
1209P	15.906	404	16.738	425	8.641	3855	243
1210P	16.738	425	17.57	446	9.333	4164	263
1211P	17.57	446	18.402	467	10.028	4474	282
1212P	18.402	467	19.234	489	10.726	4785	302
1213P	19.234	489	20.066	510	11.426	5098	322
1214P	20.066	510	20.898	531	12.128	5411	341
1215P	20.898	531	21.73	552	12.832	5725	361
1215NP	21.73	552	21.73	552	-	-	-
1216P	21.730	552	22.562	573	13.538	6040	381
1217P	22.562	573	23.394	594	14.244	6355	401
1218P	23.394	594	24.226	615	14.953	6671	421
1219P	24.226	615	25.058	636	15.662	6988	441
1220P	25.058	636	25.890	658	16.372	7304	461
1221P	25.89	658	26.722	679	17.084	7622	481
1222P	26.722	679	27.554	700	17.796	7940	501
1223P	27.554	700	28.386	721	18.509	8258	521
1224P	28.386	721	29.218	742	19.223	8576	541
1225P	29.218	742	30.05	763	19.937	8895	561
1225NP	30.05	763	30.05	763	-	-	-
1226P	30.05	763	30.882	784	20.652	9214	581
1227P	30.882	784	31.714	806	21.367	9533	601
1228P	31.714	806	32.546	827	22.083	9852	622
1229P	32.546	827	33.378	848	22.8	10172	642
1230P	33.378	848	34.21	869	23.517	10492	662

SERVICE CHARGES		ADD/EACH	
Fabrication	- 45°; 90°; Tee; Side Outlet Fabs	1,084.00	
	- Cross Fabs	2,297.00	
Cutting	Cutting for Each Cut Only	365.00	
PART NO.	80" SLOPED & NEUTRAL SECTIONS	EACH	PER FOOT
1201P-1230P	Channel	1,220.00	183.00
PART NO.	80" FRAME OPTIONS	EACH	PER FOOT
-CBF	Black Acid Resistant Coated Frame	1,800.00	270.00
-HDF	Heavy Duty Dura Coated Steel Frame	1,440.00	216.00
-HDG	Galvanized Frame Assembly	1,727.00	259.00
-SF	Type 304 Stainless Steel Top Frame	3,047.00	457.00
PART NO.	GRATE OPTIONS 20" (508MM)	EACH	PER FOOT
-DCC	Ductile Iron Solid Cover - Class C	484.00	290.00
-DCF	Ductile Iron Solid Cover - Class F	542.00	325.00
-DGC	Ductile Iron Slotted Grate - Class C	414.00	248.00
-DGF	Ductile Iron Slotted Grate - Class F	957.00	574.00
-GDC	Galvanized Ductile Iron Grate - Class C	747.00	448.00
-GDF	Galvanized Ductile Iron Grate - Class F	1,034.00	620.00
-GG	Fiberglass Grate - Class A	955.00	573.00
-HPD	Heel-Proof Longitudinal Ductile Iron Grate - Class C	315.00	189.00
-SBG	Stainless Steel Bar Grate - Class C	3,247.00	1,948.00
PART NO.	OUTLET ADAPTERS	EACH	
-E1	Closed End Cap	315.00	
-E4	4" (101.6mm) No Hub End Outlet	359.00	
-E6	6" (152.4mm) No Hub End Outlet	392.00	
-E8	8" (203.2mm) No Hub End Outlet	407.00	
-E10	10" (254mm) No Hub End Outlet	440.00	
-U4	4" (101.6mm) No Hub Bottom Outlet	821.00	
-U6	6" (152.4mm) No Hub Bottom Outlet	832.00	
-U8	8" (203.2mm) No Hub Bottom Outlet	947.00	
-U12	12" (304.8mm) No Hub Bottom Outlet	1,254.00	
PART NO.	MISCELLANEOUS OPTIONS	EACH	
-DB4	4" (101.6mm) Dome Bottom Strainer	441.00	
-DB6	6" (152.4mm) Dome Bottom Strainer	485.00	
-DB8	8" (203.2mm) Dome Bottom Strainer	543.00	
-RC	Rebar Clips (Set of 2)	18.00	

*Regularly furnished unless otherwise specified.

†Indicates grate will be shipped unpainted. For an additional charge, Zurn will paint the grates. Please contact your customer service representative for pricing.

For additional product information, please visit www.zurn.ca

Z874-18 TRENCH DRAIN SYSTEM



Standard Length: 80" (6.67')
Standard Grate Included: DGC

ENGINEERING SPECIFICATION

Channels shall be 80" long, 23" wide, and have an 18" wide throat. Modular channel sections shall be made of High Density Polyethylene (HDPE), have interlocking ends, and radiused bottom. Channel shall be provided with no slope (neutral) or with a 1.00% built-in slope. Channels shall be available with inverts ranging from 10.25" to 35.1". Channels shall have clips attached to the frame to accommodate vertical rebar for positioning and anchoring purposes. Choices of class A thru F grates shall be available with H-20 and/or FAA load ratings and/or ADA compliance with mechanical lockdown devices. A heavy-duty steel frame shall be available to complement the channels and grates. End outlets, bottom outlets, and side outlets shall be available in 4", 6", 8", and 12" diameters. Trench drain shall be Flo-Thru model Z874-18.

Trench Number	Shallow Invert		Deep Invert		Flow Rate		
	In.	mm	In.	mm	cfs	gpm	lps
1801P	10.25	260	11.082	281	3058	193	6.85
1802P	11.082	281	11.914	303	3589	226	8.04
1803P	11.914	303	12.746	324	4132	261	9.26
1804P	12.746	324	13.578	345	4685	296	10.5
1805P	13.578	345	14.41	366	5247	331	11.76
1806P	14.41	366	15.242	387	5816	367	13.04
1807P	15.242	387	16.074	408	6392	403	14.33
1808P	16.074	408	16.906	429	6973	440	15.63
1809P	16.906	429	17.738	451	7559	477	16.94
1810P	17.738	451	18.57	472	8149	514	18.27
1811P	18.57	472	19.402	493	8743	552	19.6
1812P	19.402	493	20.234	514	9340	589	20.93
1813P	20.234	514	21.066	535	9940	627	22.28
1814P	21.066	535	22.898	556	10542	665	23.63
1815P	21.898	556	22.73	577	11147	703	24.98
1816P	22.73	577	23.562	598	11753	741	26.34
1817P	23.562	598	24.394	620	12362	780	27.71
1818P	24.394	620	25.226	641	12972	818	29.08
1819P	25.226	641	26.058	662	13584	857	30.45
1820P	26.058	662	26.89	683	14198	896	31.82
1821P	26.89	683	27.722	704	14812	934	33.2
1822P	27.722	704	28.554	725	15428	973	34.58
1823P	28.554	725	29.386	746	16045	1012	35.96
1824P	29.386	746	30.218	768	16663	1051	37.35
1825P	30.218	768	31.05	789	17282	1090	38.74
1826P	31.05	789	31.882	810	17901	1129	40.12
1827P	31.882	810	32.714	831	18522	1168	41.52
1828P	32.714	831	33.546	852	19143	1208	42.91
1829P	33.546	852	34.378	873	19765	1247	44.3
1830P	34.378	873	35.21	894	20388	1286	45.7

SERVICE CHARGES		ADD/EACH	
Fabrication	- 45°; 90°; Tee; Side Outlet Fabs	1,084.00	
	- Cross Fabs	2,297.00	
Cutting	Cutting for Each Cut Only	365.00	
PART NO.	80" (2032MM) SLOPED & NEUTRAL SECTIONS	EACH	PER FOOT
1801P-1830P	Channel	1,380.00	207.00
PART NO.	80" (2032MM) FRAME OPTIONS	EACH	PER FOOT
-CBF	Black Acid Resistant Coated Frame	2,694.00	404.00
-HDF	Heavy Duty Dura Coated Steel Frame	1,440.00	216.00
-HDG	Galvanized Frame Assembly	1,734.00	260.00
-SF	Type 304 Stainless Steel Top Frame	5,100.00	765.00
PART NO.	GRATE OPTIONS 20" (508MM)	EACH	PER FOOT
-DCC	Ductile Iron Solid Cover - Class C	629.00	377.00
-DCF	Ductile Iron Solid Cover - Class F	909.00	545.00
-DGC	Ductile Iron Slotted Grate - Class C	765.00	459.00
-DGF	Ductile Iron Slotted Grate - Class F	839.00	503.00
-GDC	Galvanized Ductile Iron Grate - Class C	742.00	445.00
-GDF	Galvanized Ductile Iron Grate - Class F	1,062.00	637.00
-GG	Fiberglass Grate - Class A	670.00	402.00
-HPD	Heel-Proof Longitudinal Ductile Iron Grate - Class C	785.00	471.00
-SBG	Stainless Steel Bar Grate - Class C	3,459.00	2,075.00
PART NO.	OUTLET ADAPTERS	EACH	
-E1	Closed End Cap	362.00	
-E4	4" (101.6mm) No Hub End Outlet	404.00	
-E6	6" (152.4mm) No Hub End Outlet	439.00	
-E8	8" (203.2mm) No Hub End Outlet	454.00	
-E12	12" (304.8mm) No Hub End Outlet	506.00	
-E18	18" (457.2mm) No Hub End Outlet	POA	
-U4	4" (101.6mm) No Hub Bottom Outlet	881.00	
-U6	6" (152.4mm) No Hub Bottom Outlet	886.00	
-U8	8" (203.2mm) No Hub Bottom Outlet	930.00	
-U12	12" (304.8mm) No Hub Bottom Outlet	1,006.00	
-U18	18" (457.2mm) No Hub Bottom Outlet	1,226.00	
PART NO.	MISCELLANEOUS OPTIONS	EACH	
-DB4	4" (101.6mm) Dome Bottom Strainer	472.00	
-DB6	6" (152.4mm) Dome Bottom Strainer	441.00	
-DB8	8" (203.2mm) Dome Bottom Strainer	485.00	
-DB12	12" (304.8mm) Dome Bottom Strainer	530.00	
-RC	Rebar Clips (Set of 2)	18.00	

Z874-21 TRENCH DRAIN SYSTEM



Standard Length: 80" (6.67')
Standard Grate Included: DGC

ENGINEERING SPECIFICATION

Channels shall be 80" long, 26-1/4" wide, and have a 21-1/4" wide throat. Modular channel sections shall be made of High Density Polyethylene (HDPE), have interlocking ends, and radiused bottom. Channel shall be provided with no slope (neutral) or with a 1.00% built-in slope. Channels shall be available with inverts ranging from 11.25" to 36.21". Channels shall have clips attached to the frame to accommodate vertical rebar for positioning and anchoring purposes. Choices of class A thru F grates shall be available with H-20 and/or FAA load ratings and/or ADA compliance with mechanical lockdown devices. A heavy-duty steel frame shall be provided to distribute weight between the grates and the HDPE channel. End caps and catch basins shall be available to complement the channels and grates. End outlets, bottom outlets, and side outlets shall be available in 4", 6", 8", 12", and 18" diameters. Trench drain shall be Flo-Thru model Z874-21.

Trench Number	Shallow Invert		Deep Invert		Flow Rate		
	In.	mm	In.	mm	cfs	gpm	lps
2101P	11.25	286	12.082	307	8.369	3734	236
2102P	12.082	305	12.914	328	9.857	4398	277
2103P	12.914	328	13.746	349	11.388	5081	320
2104P	13.746	349	14.578	370	12.953	5779	365
2105P	14.578	370	15.41	391	14.549	6491	409
2105NP	15.41	391	15.41	391	-	-	-
2106P	15.41	391	16.424	417	16.17	7214	455
2107P	16.424	417	17.074	434	17.814	7948	501
2108P	17.074	434	17.906	455	19.478	8690	548
2109P	17.906	455	18.738	476	21.159	9440	596
2110P	18.738	476	19.57	497	22.855	10197	643
2111P	19.57	497	20.402	518	24.565	10960	691
2112P	20.402	518	21.234	539	26.287	11728	740
2113P	21.234	539	22.066	560	28.02	12501	789
2114P	22.066	560	22.898	582	29.763	13279	838
2115P	22.898	582	23.73	603	31.514	14060	887
2115NP	23.73	603	23.73	603	-	-	-
2116P	23.73	603	24.562	624	33.274	14845	936
2117P	24.562	624	25.394	645	35.041	15633	986
2118P	25.394	645	26.226	666	36.814	16424	1036
2119P	26.226	666	27.058	687	38.594	17218	1086
2120P	27.058	687	27.89	701	40.379	18015	1136
2121P	27.89	701	28.722	729	42.169	18814	1187
2122P	28.722	729	29.554	751	43.964	19614	1237
2123P	29.554	751	30.386	772	45.763	20417	1288
2124P	30.386	772	31.218	793	47.567	21222	1339
2125P	31.218	793	32.05	814	49.374	22028	1390
2125NP	32.05	814	32.05	814	-	-	-
2126P	32.05	814	32.882	835	51.184	22836	1441
2127P	32.882	835	33.714	856	52.998	23645	1492
2128P	33.714	856	34.546	878	54.815	24455	1543
2129P	34.546	878	35.378	899	56.634	25267	1594
2130P	35.378	899	36.21	920	58.457	26080	1645

SERVICE CHARGES		ADD/EACH	
Fabrication	- 45°; 90°; Tee; Side Outlet Fabs	1,054.00	
	- Cross Fabs	2,232.00	
Cutting	Cutting for Each Cut Only	355.00	
PART NO.	80" (2032MM) SLOPED & NEUTRAL SECTIONS	EACH	PER FOOT
210P - 2130P	Channel	1,560.00	234.00
PART NO.	80" (2032MM) FRAME OPTIONS	EACH	PER FOOT
-CBF	Black Acid Resistant Coated Frame	3,034.00	455.00
-HDF	Heavy Duty Dura Coated Steel Frame	1,487.00	223.00
-GFA	Galvanized Frame Assembly	1,787.00	268.00
-SF	Type 304 Stainless Steel Top Frame	3,560.00	534.00
PART NO.	GRATE OPTIONS 20" (508MM)	EACH	PER FOOT
-DCC	Ductile Iron Solid Cover - Class C	940.00	564.00
-DCF	Ductile Iron Solid Cover - Class F	1,047.00	628.00
-DGC	Ductile Iron Slotted Grate - Class C	784.00	470.00
-DGF	Ductile Iron Slotted Grate - Class F	1,085.00	651.00
-GDC	Galvanized Ductile Iron Grate - Class C	784.00	470.00
-GDF	Galvanized Ductile Iron Grate - Class F	987.00	592.00
-GG	Fiberglass Grate - Class A	1,607.00	964.00
-HPD	Heel-Proof Longitudinal Ductile Iron Grate - Class C	614.00	368.00
-SBG	Stainless Steel Bar Grate - Class C	6,224.00	3,734.00
PART NO.	OUTLET ADAPTERS	EACH	
-E1	Closed End Cap	434.00	
-E4	4" (101.6mm) No Hub End Outlet	477.00	
-E6	6" (152.4mm) No Hub End Outlet	511.00	
-E8	8" (203.2mm) No Hub End Outlet	527.00	
-E12	12" (304.8mm) No Hub End Outlet	580.00	
-E18	18" (457.2mm) No Hub End Outlet	POA	
-U4	4" (101.6mm) No Hub Bottom Outlet	855.00	
-U6	6" (152.4mm) No Hub Bottom Outlet	620.00	
-U8	8" (203.2mm) No Hub Bottom Outlet	658.00	
-U12	12" (304.8mm) No Hub Bottom Outlet	976.00	
-U18	18" (457.2mm) No Hub Bottom Outlet	858.00	
PART NO.	MISCELLANEOUS OPTIONS	EACH	
-DB4	4" (101.6mm) Dome Bottom Strainer	441.00	
-DB6	6" (152.4mm) Dome Bottom Strainer	399.00	
-DB8	8" (203.2mm) Dome Bottom Strainer	428.00	
-DB12	12" (304.8mm) Dome Bottom Strainer	516.00	
-RC	Rebar Clips (Set of 2)	18.00	

*Regularly furnished unless otherwise specified.

†Indicates grate will be shipped unpainted. For an additional charge, Zurn will paint the grates. Please contact your customer service representative for pricing.

For additional product information, please visit www.zurn.ca

Z874-U-XX-LDRA LIGHT-DUTY UTILITY TRENCH WITH ALUMINUM FRAME, CLAMP, AND SOLID COVER



The Z874-U is a neutral, non-sloped utility drain system. Depths of this system may range from 4" to 30".

ENGINEERING SPECIFICATION

Z874-U-XX-LDRA Utility Trench Drainage System. High Density Polyethylene (HDPE) drain channel. All sections modular 40" lengths with interlocking ends. Complete with aluminum frame assembly at surface and light-duty aluminum (LDRA) solid cover. Recessed 1/8" for linoleum application.

PREFIX	DESCRIPTION	NO. OF GRATES PER CHANNEL
Z*	40" High Density Polyethylene (HDPE) Channel with Aluminum Frame, Clamp, and Solid Cover	2

END CAPS		PER FOOT
874-U-12-LDRA	12" Throat Opening - Class A	738.00
874-U-14-LDRA	14" Throat Opening - Class A	788.00
874-U-16-LDRA	16" Throat Opening - Class A	837.00
875-U-18-LDRA	18" Throat Opening - Class A	891.00
875-U-20-LDRA	20" Throat Opening - Class A	942.00
875-U-22-LDRA	22" Throat Opening - Class A	993.00
875-U-24-LDRA	24" Throat Opening - Class A	1,042.00
875-U-26-LDRA	26" Throat Opening - Class A	1,121.00
875-U-28-LDRA	28" Throat Opening - Class A	-
SERVICE CHARGES		ADD/EACH
Fabrication	- 45°; 90°; Tee Fabs	677.00
	- Cross Fabs	1,348.00
Cutting		348.00

Z874-U-XX-LDRS LIGHT-DUTY UTILITY TRENCH WITH ALUMINUM FRAME AND CLAMP WITH SOLID STEEL COVER



The Z874-U is a neutral, non-sloped utility drain system. Depths of this system may range from 4" to 30".

ENGINEERING SPECIFICATION

Z874-U-XX-LDRS Utility Trench Drainage System. High Density Polyethylene (HDPE) drain channel. All sections modular 40" lengths with interlocking ends. Complete with aluminum frame assembly at surface and light-duty solid steel (LDRS) cover. Recessed 1/8" for linoleum application.

PREFIX	DESCRIPTION	NO. OF GRATES PER CHANNEL
Z*	40" High Density Polyethylene (HDPE) Channel with Aluminum Frame and Clamp with Solid Steel Cover	2

END CAPS		PER FOOT
874-U-12-LDRS	12" Throat Opening - Class A	250.00
874-U-14-LDRS	14" Throat Opening - Class A	738.00
874-U-16-LDRS	16" Throat Opening - Class A	788.00
875-U-18-LDRS	18" Throat Opening - Class A	837.00
875-U-20-LDRS	20" Throat Opening - Class A	891.00
875-U-22-LDRS	22" Throat Opening - Class A	942.00
875-U-24-LDRS	24" Throat Opening - Class A	993.00
875-U-26-LDRS	26" Throat Opening - Class A	1,042.00
875-U-28-LDRS	28" Throat Opening - Class A	1,121.00
SERVICE CHARGES		ADD/EACH
Fabrication	- 45°; 90°; Tee Fabs	677.00
	- Cross Fabs	1,348.00
Cutting		348.00

Z874-U-XX-HD HEAVY-DUTY UTILITY TRENCH WITH STEEL FRAME AND DUCTILE IRON SOLID COVER



The Z874-U is a neutral, non-sloped utility drain system. Depths of this system may range from 4" to 30".

ENGINEERING SPECIFICATION

Z874-U-XX-HD Heavy-Duty Utility Trench Drainage System with Ductile Solid Cover. High Density Polyethylene (HDPE) drain channel. All sections modular 80" or 8' lengths with interlocking ends. Complete with Dura-Coated steel frame system and ductile iron solid cover.

PREFIX	DESCRIPTION	NO. OF GRATES PER CHANNEL
Z*	High Density Polyethylene (HDPE) Channel with Dura-Coated Steel Frame and Ductile Iron Solid Cover	4

END CAPS		PER FOOT
874-U-9-HD	9" Throat Opening - Class E	250.00
874-U-12-HD	12" Throat Opening - Class C	362.00
874-U-18-HD	18" Throat Opening - Class C	429.00
874-U-21-HD	21" Throat Opening - Class C	577.00
SERVICE CHARGES		ADD/EACH
Fabrication	- 45°; 90°; Tee Fabs	677.00
	- Cross Fabs	1,348.00
Cutting		348.00

Z880 2-1/2" WIDE TRENCH DRAIN SYSTEM



Standard Length: 48" (4')
 Standard Grate Included: POG
 Colors Available: Gray (Standard), Sand, White, Brick Red, Blue

ENGINEERING SPECIFICATION

2-1/2" Wide Trench Drain System shall be 48" long and 2-1/2" wide. Drain shall be 3" deep. Drain shall be made of High Density Polyethylene (HDPE) and be UV-10 stabilized. Drain shall have bedding feet and/or bedding feet shall be used for positioning and anchoring purposes. Drain shall have tongue and groove snap fit connection. End outlets and bottom outlets shall be available in 1-1/2" diameter. Drain shall be Flo-Thru Z880. 24" long high-density polyethylene decorative grate (-POG) provided as standard.

NOTES

Additional custom colors for channels and gratings are available upon request. Please call your customer service representative for lead time and minimum runs.

SERVICE CHARGES		ADD/EACH	
Cutting	Cutting for Each Cut Only		49.00
PART NO.	48" (1219.2MM) NEUTRAL SECTIONS	EACH	PER FOOT
P-880-POG	Channel with Heel-Proof Polyethylene Grate - Type A	72.00	18.00
PART NO.	GRATES - 24" (609.6MM)	EACH	PER FOOT
-BZ	Bronze Decorative Grate - Class A	836.00	418.00
-SOG	Stainless Steel Decorative Grate - Class A	342.00	171.00
PART NO.	EACH		
-E1	Closed End Cap		16.00
-E1.5	1-1/2" No-Hub End Outlet		16.00
-U1.5	1-1/2" No-Hub Bottom Outlet		17.00
-C45	45-Degree Channel		23.00
-C90	90-Degree Channel		23.00
-G45	45-Degree Plastic Grate - Class A		17.00
-G90	90-Degree Plastic Grate - Class A		17.00
-S45	45-Degree Channel and Grate - Class A		128.00
-S90	90-Degree Channel and Grate - Class A		128.00
-VP	Vandal-Resistant Grate Lockdown Assembly Bag (1 Per Channel)		15.00

Z884 4-3/4" WIDE SHALLOW DRAIN SYSTEM



Standard Length: 40" (3.33')
 Standard Grate Included: HPP

ENGINEERING SPECIFICATION

Channels shall be 40" long, 4-3/4" wide, and have a 3-1/4" wide throat. Modular channel sections shall be made of polypropylene, have interlocking ends, and radiused bottom. Channel shall be provided flat (neutral) with a 2.875" invert. Channels shall have clips molded into the sides of the channel to accommodate vertical rebar for positioning and anchoring purposes. Choices of class A and B gratings shall be available with ADA compliance with mechanical lockdown devices. End caps and catch basins shall be available to complement the channels and gratings. End outlets in 2" diameter and bottom outlets in 3" diameter shall be available. Trench drain shall be Flo-Thru model Z884.

SERVICE CHARGES		ADD/EACH	
Fabrication	- 45°; 90°; Tee; Side Outlet Fabs		357.00
	- Cross Fabs		709.00
Cutting	Cutting for Each Cut Only		128.00
PART NO.	40" (1016MM) NEUTRAL SECTIONS	EACH	PER FOOT
P884	Channels Only	144.00	36.00
PART NO.	GRATES - 20" (508MM) & 40" (1016MM)	EACH	PER FOOT
P884-BZ	Bronze Decorative Grate - Class C - 20" (508mm)	502.00	301.00
P884-CG	Cast Iron Slotted Grate - Class B - 20" (508mm)	105.00	63.00
P884-HPP	Heel-Proof Polyethylene Grate - Class A - 20" (508mm)	67.00	40.00
P884-FG	Fabricated Galvanized Steel Slotted Grate - Class A - 40" (1016mm)	147.00	44.00
P884-FS	Fabricated Stainless Steel Slotted Grate - Class A - 40" (1016mm)	404.00	121.00
P884-PG	Perforated Galvanized Steel ADA Grate - Class A - 40" (1016mm)	147.00	44.00
P884-PS	Perforated Stainless Steel ADA Grate - Class A - 40" (1016mm)	387.00	116.00
PART NO.	EACH		
P884-E1	Closed End Cap		34.00
P884-E2	2" (50.8mm) No Hub End Outlet		34.00
P884-U3	3" (76.2mm) No Hub Bottom Outlet		34.00

*Regularly furnished unless otherwise specified.

‡Indicates grate will be shipped unpainted. For an additional charge, Zurn will paint the grates. Please contact your customer service representative for pricing.

For additional product information, please visit www.zurn.ca

Z883 6" WIDE SHALLOW TRENCH DRAIN SYSTEM



Standard Length: 40" (3.33')
Standard Grate Included: DGC

ENGINEERING SPECIFICATION

Channels shall be 40" long, 6" wide, and have a 4" wide throat. Modular channel sections shall be made of polypropylene, have interlocking ends, and radiused bottom. Channel shall be provided flat (neutral) with a 3-1/2" invert. Channels shall have clips molded into the sides of the channel to accommodate vertical rebar for positioning and anchoring purposes. Choices of class A, B, and C grates shall be available with H-20 and/or ADA compliance with mechanical lockdown devices. End caps and catch basins shall be available to complement the channels and grates. End outlets in 2" diameter and bottom outlets in 2", 3", and 4" diameters shall be available. Trench drain shall be Flo-Thru model Z883.

SERVICE CHARGES		ADD/EACH	
Fabrication	- 45°; 90°; Tee; Side Outlet Fabs	357.00	
	- Cross Fabs	709.00	
Cutting	Cutting for Each Cut Only	128.00	
PART NO.	40" (1016MM) NEUTRAL SECTIONS	EACH	PER FOOT
P883	Channels Only	107.00	32.00
PART NO.	GRATES - 20" (508MM) & 40" (1016MM)		
NOTE - (1) These channels will accept all P-6 (886) grates			
PART NO.	EACH		
P883-E1	Closed End Cap	26.00	
P883-E2	2" (50.8mm) No Hub End Outlet	26.00	
P883-U2	2" (50.8mm) No Hub Bottom Outlet	28.00	
P883-U3	3" (76.2mm) No Hub Bottom Outlet	28.00	
P883-U4	4" (101.6mm) No Hub Bottom Outlet	28.00	

Z887 CATCH BASIN



Standard Grate Included: DGC

ENGINEERING SPECIFICATION

Catch Basins shall be 6" wide x 20" long x 20" deep, 12" wide x 24" long x 24" deep, or 24" wide x 24" long x 24" deep and shall be made of High Density Polyethylene (HDPE). Choices of class A thru F grates shall be available with H-20, FAA, and/or ADA compliance. Outlets in 2", 3", 4", 6", and 8" diameters shall be available. Catch Basin shall be Flo-Thru model Z887.

PART NO.	Z887 BASIN ONLY	EACH
P887-6x20	Basin Only	352.00
P887-12x24	Basin Only	413.00
P887-24x24	Basin Only	551.00
PART NO.	BLACK DUCTILE FRAMES	EACH
-HD-6x20	Extra Heavy Duty Frame Assembly with Anchor Studs	323.00
-HD-12x24	Extra Heavy Duty Frame Assembly with Anchor Studs	393.00
-HD-24x24	Extra Heavy Duty Frame Assembly with Anchor Studs	524.00
PART NO.	BLACK DUCTILE FRAMES	EACH
-GFA-6x20	Galvanized Extra Heavy Duty Frame Assembly with Anchor Studs	472.00
-GFA-12x24	Galvanized Extra Heavy Duty Frame Assembly with Anchor Studs	472.00
-GFA-24x24	Galvanized Extra Heavy Duty Frame Assembly with Anchor Studs	1,025.00
PART NO.	EACH	
-SF-6x20	Type 304 Stainless Steel Top Frame	667.00
-SF-12x24	Type 304 Stainless Steel Top Frame	3,027.00
-SF-24x24	Type 304 Stainless Steel Top Frame	3,894.00
TO ADD GRATES TO OBTAIN A TOTAL BASIN PRICE		
1	6" (152.4mm) x 20" (508mm) system list price, add the list price for (1) of the corresponding 806 grates to the basin price.	
2	12" (304.8mm) x 24" (609.6mm) system list price, add the list price for (1) of the corresponding 812 grate to the basin price.	
3	24" (609.6mm) x 24" (609.6mm) add (1) of the following 24" (609.6mm) x 24" (609.6mm) grates	
PART NO.	GRATES 24" (609.6MM) X 24" (609.6MM)	EACH
-BG	Galvanized Ductile Iron Bar Grate - Class C	1,018.00
-DC	Ductile Iron Solid Cover - Class C	5,429.00
-DGC	Ductile Iron Slotted Grate - Class C	933.00
-DGF	Ductile Iron Slotted Grate - Class F	1,218.00
-FG	Galvanized Steel Slotted Grate - Class A	2,965.00
-FS	Fabricated Stainless Steel Slotted Grate - Class A	2,877.00
-GDF	Galvanized Ductile Grate - Class F	1,558.00
-GG	Fiberglass Grate - Class A	1,110.00
-SBG	Stainless Steel Bar Grate - Class E	4,009.00
PART NO.	EACH	
-E3/U3	3" (76.2mm) End/Bottom Outlet	30.00
-E4/U4	4" (101.6mm) End/Bottom Outlet	30.00
-E6/U6	6" (152.4mm) End/Bottom Outlet	49.00
-E8/U8	8" (203.2mm) End/Bottom Outlet	63.00
-IA6	6" (152.4mm) Inlet Adapter	60.00
-IA12	12" (304.8mm) Inlet Adapter	94.00
-EXT	12" (304.8mm) Stackable Body Extension - For 24" (609.6mm) Only	559.00
-Y6	6" (152.4mm) Sediment Bucket	311.00
-Y12	12" (304.8mm) Sediment Bucket	441.00
-Y24	24" (609.6mm) Sediment Bucket	537.00
-YS6	6" (152.4mm) Stainless Steel Sediment Bucket	537.00
-YS12	12" (304.8mm) Stainless Steel Sediment Bucket	661.00
-YS24	24" (609.6mm) Stainless Steel Sediment Bucket	1,394.00

*Regularly furnished unless otherwise specified.

‡Indicates grate will be shipped unpainted. For an additional charge, Zurn will paint the grates. Please contact your customer service representative for pricing.

For additional product information, please visit www.zurn.ca

ZS880 STAINLESS STEEL LINEAR SHOWER DRAIN

PERMA-TRENCH®



Standard Grate: -LS (Linear Slotted)

ENGINEERING SPECIFICATION

ZS880 All Type 304 (CF8) Fabricated Stainless Steel Linear Shower Drain. Complete with vertically adjustable anchoring support legs, anti-ponding V-shaped channel with 2" No-Hub outlet, adjustable secured leveling frame with integral tiling edge, and secured, light-duty, slotted heel-proof grate

NOTES

**ZR Includes cost add for grate finish.

STAINLESS / SAN-I-FLO®



-LS



-BW



-DB

SLOT DRAIN / HI-CAP®



-SG



-TG (Tile By Others)



-WG

ALUMINIUM TRENCH

FIBERGLASS

FRAME AND GRATE SYSTEMS

OIL SEPARATORS

PREFIX	DESCRIPTION	PRODUCT DESIGNATION	APPROX WT. LBS.	GRATE OPEN AREA SQ. IN.	LIST PRICE/EACH
ZS*	Type 304 (CF8) Stainless Steel	-12	2.9	6	1,405.00
		-28	5.4	15	1,444.00
		-32	5.9	18	1,455.00
		-36	6.4	20	1,465.00
		-40	7.2	22	1,519.00
		-48	8.4	27	1,628.00
		-60	10.3	34	1,836.00
OUTLET ADAPTERS					ADD/EACH
2	Two-Outlet Drain Body				89.00
3	Three-Outlet Drain Body				175.00
EO	End Outlet				N/C
FS	Outlet Filter Screen				36.00
STANDARD GRATE OPTIONS					LIST/EACH
LS*	Linear Slotted	-12			367.00
		-28			377.00
		-32			383.00
		-36			386.00
		-40			396.00
		-48			426.00
		-60			449.00
DECORATIVE GRATE OPTIONS					LIST/EACH
BW	Basket Weave	-12			392.00
		-28			422.00
		-32			434.00
		-36			444.00
		-40			459.00
		-48			506.00
		-60			546.00
DB	Decorative Block Grate	-12			392.00
		-28			422.00
		-32			434.00
		-36			444.00
		-40			459.00
		-48			506.00
		-60			546.00
SG	Serenity Grate	-12			392.00
		-28			422.00
		-32			434.00
		-36			444.00
		-40			459.00
		-48			506.00
		-60			546.00
TG	Tile Inlay Grate	-12			392.00
		-28			422.00
		-32			434.00
		-36			444.00
		-40			459.00
		-48			506.00
		-60			546.00
WG	Slotted Wave Grate	-12			392.00
		-28			422.00
		-32			434.00
		-36			444.00
		-40			459.00
		-48			506.00
		-60			546.00

For additional product information, please visit www.zurn.ca

*Regularly furnished unless otherwise specified.

†Indicates grate will be shipped unpainted. For an additional charge, Zurn will paint the grates. Please contact your customer service representative for pricing.

Z890 6" STAINLESS STEEL TRENCH DRAIN SYSTEM



Standard Length: 80"
Standard Grate Included: FS or PS

ENGINEERING SPECIFICATION

Channels shall be 80" long, 6" wide, and have a 4" wide throat. Modular channel sections shall be made of 16-gauge 304 stainless steel and shall be provided with a neoprene gasket for flanged connections. Channel shall be provided either flat (neutral) or with a 1.04% pre-slope. Channels shall be available with inverts ranging from 3.5" to 16.00". Choices of class A thru E grates shall be available with H-20 and/or FAA load ratings and/or ADA compliance with mechanical lockdown devices. End caps and catch basins shall be available to complement the channels and grates. End outlets, bottom outlets, and side outlets shall be available in 2", 3", 4", and 6" diameters. Trench drain shall be Flo-Thru model Z890.

NOTES

Type 316 Stainless Steel trench is available upon request. Please call customer care for pricing and lead time.

PART NO.	5' (1524MM) SLOPED & NEUTRAL SECTIONS	EACH
8901-8910	Stainless Steel Channel System - (Includes Lockdowns)	2,980.00

PART NO.	GRATE OPTIONS	EACH
-FS	Fabricated Stainless Steel Slotted Grate - Class A	407.00
-GG	Fiberglass Grate - Class A	260.00
-HPS	Heel-Proof Stainless Steel Slotted Grate - Class A	293.00
-PS	Perforated Stainless Steel Grate - Class A	370.00
-PSR	Stainless Steel Perforated Reverse Punch Grate - Class A	180.00
-RFSC	Reinforced Stainless Steel Slotted Grate - Class C	867.00
-RPSC	Reinforced Stainless Steel Perforated Grate - Class C	864.00
-RPSRC	Reinforced Stainless Steel Perforated Reverse Punch Anti-Slip ADA Grate - Class B	550.00
-SBG	Stainless Steel Bar Grate - Class E	410.00
-SCD	Stainless Steel Circular Decorative Grate - Class B	500.00
-SDD	Stainless Steel Diagonal Decorative Grate - Class B	485.00
-SOD	Stainless Steel Decorative Grate - Class B	POA

PART NO.	GRATES 24" (609.6MM) X 24" (609.6MM)	EACH
P890-E1	Closed End Cap	543.00
P890-E2	2" (50.87mm) No-Hub End Outlet	543.00
P890-E3	3" (76.2mm) No-Hub End Outlet	543.00
P890-E4	4" (101.6mm) No-Hub End Outlet	543.00
P890-U2	2" (50.87mm) No-Hub Bottom Outlet	543.00
P890-U3	3" (76.2mm) No-Hub Bottom Outlet	543.00
P890-U4	4" (101.6mm) No-Hub Bottom Outlet	543.00
P890-GL	Grate Lockdown (Per 5' (1524mm) Channel)	63.00
P890-K	Anchor Flange (Per 5' (1524mm) Channel)	199.00
P890-KC	Clamp Collar and Pan with Weep Holes (Per 5' (1524mm) Channel)	327.00
P890-VP	Vandal-Proof Center Lockdown	17.00
P890-DB	2" (50.87mm), 3" (76.2mm), 4" (101.6mm) Bottom Drop in Bucket	387.00

MISCELLANEOUS OPTIONS	ADD/FOOT	
-VG	Viton Gasket	139.00

Trench Number	Shallow Invert		Deep Invert		Flow Rate			Approx. Wt.	
	In.	mm	In.	mm	cfs	gpm	lps	lb	Kg
89001	3.5	89	4.13	105	6	97	0.216	20	9
89002	4.13	105	4.76	121	8	124	0.276	21	9.5
89002N	-	-	-	-	-	-	-	22	10
89003	4.76	121	5.39	137	10	151	0.336	23	10.4
89004	5.39	137	6.02	153	11	179	0.399	24	10.9
89004N	-	-	-	-	-	-	-	25	11.3
89005	6.02	153	6.65	169	13	207	0.461	26	11.8
89006	6.65	169	7.28	185	15	235	0.524	27	12.2
89006N	-	-	-	-	-	-	-	28	12.7
89007	7.28	185	7.91	201	17	263	0.586	29	13.1
89008	7.91	201	8.54	217	18	292	0.651	30	13.6
89008N	-	-	-	-	-	-	-	31	14
89009	8.54	217	9.17	233	20	321	0.715	32	14.5
89010	9.17	233	9.8	249	22	349	0.778	34	15.4
89010N	-	-	-	-	-	-	-	35	15.9
89011	9.8	249	10.43	265	24	378	0.842	35	15.9
89012	10.43	265	11.06	281	26	407	0.907	37	16.8
89012N	-	-	-	-	-	-	-	38	17.2
89013	11.06	281	11.69	297	28	436	0.971	39	17.7
89014	11.69	297	12.32	313	29	465	1.036	40	18.1
89014N	-	-	-	-	-	-	-	41	18.6
89015	12.32	313	12.95	329	31	494	1.101	42	19
89016	12.95	329	13.58	345	33	523	1.165	43	19.5
89016N	-	-	-	-	-	-	-	44	20
89017	13.58	345	14.21	361	35	552	1.23	45	20.4
89018	14.21	361	14.84	377	37	581	1.295	46	20.8
89018N	-	-	-	-	-	-	-	47	21.3
89019	14.84	377	15.47	393	39	610	1.359	48	21.8
89020	15.47	393	16.1	409	40	639	1.424	49	22.2

*Regularly furnished unless otherwise specified.

†Indicates grate will be shipped unpainted. For an additional charge, Zurn will paint the grates. Please contact your customer service representative for pricing.

For additional product information, please visit www.zurn.ca

Z895 12" STAINLESS STEEL TRENCH DRAIN SYSTEM



Standard Length: 96"
Standard Grate Included: FS or PS

ENGINEERING SPECIFICATION

Channels shall be 96" long, 12" wide, and have a 9-1/4" wide throat. Modular channel sections shall be made of 12-gauge 304 stainless steel. Channel shall be provided with no slope (neutral) or with a 1.04% built-in slope. Channels shall be available with inverts ranging from 6.00" to 18.50". Choices of class A thru C grates shall be available with H-20 and/or FAA load ratings and/or ADA compliance with mechanical lockdown devices. End caps and catch basins shall be available to complement the channels and grates. End outlets, bottom outlets, and side outlets shall be available in 4", 6", and 8" diameters. Trench drain shall be Flo-Thru model Z895.

NOTES

Type 316 Stainless Steel trench is available upon request. Please call customer care for pricing and lead time.

MADE IN THE U.S.A. (HIGHLIGHTED IN GRAY)				
PREFIX	DESCRIPTION	CHANNEL NUMBER	LIST PRICE/EACH	LIST PRICE/FOOT
Z*	96" #12-Gauge Type 304 Stainless Steel Trench with Stamped Stainless Steel Grate with Four Stainless Steel Lockdowns	89501 thru 89515	11,016.00	1,377.00
OPTIONS				ADD/EACH
Endcaps/Outlet				714.00
GRATE OPTIONS			ADD/EACH	ADD/FOOT
P12-FS	Fabricated Stainless Steel Slotted Grate - Class A		878.00	439.00
P12-GG	Fiberglass Grate (Not Made in U.S.A. Configurable) - Class A		1,422.00	286.00
P12-PS	Stainless Steel Perforated Grate - Class A		1,180.00	590.00
P12-PSR	Stainless Steel Perforated Reverse Punch Grate - Class A		2,944.00	591.00
P12-RFSC	Reinforced Stainless Steel Slotted Grate - Class C		1,626.00	813.00
P12-RPSC	Reinforced Stainless Steel Perforated Grate - Class C		1,744.00	872.00
P12-RPSRC	Reinforced Stainless Steel Perforated Reverse Punch Anti-Slip Grate - Class B		4,351.00	872.00
P12-SBG-L	Stainless Steel Bar Grate - Class C		2,706.00	1,353.00
P12-SSCD	Reinforced Stainless Steel Solid Cover - Class B		3,765.00	755.00
MISCELLANEOUS OPTIONS			ADD/EACH	ADD/FOOT
P895-K	Anchor Flange		1,344.00	271.00
P895-KC	Clamp Collar and Pan with Weep Holes		2,021.00	406.00
P895-VG	Viton Gasket		N/C	N/C
P895-VP	Vandal-Proof Center Lockdown		97.00	20.00
				ADD/EACH
P895-DB	Bottom Drop-In Bucket			577.00
SERVICE CHARGES				ADD/EACH
Fabrication - 45°; 90°; Tee Fabs				5,699.00
- Cross Fabs				11,391.00

Trench Number	Shallow Invert		Deep Invert		Flow Rate			Approx. Wt.	
	In.	mm	In.	mm	cfs	gpm	lps	lb	Kg
89501	6.00	152	6.63	168	548	35	1.221	70	31.7
89502	6.63	168	7.25	184	652	41	1.453	73	33.1
89502N	7.25	184	7.25	184	-	-	-	74	33.5
89503	7.25	184	7.88	200	759	48	1.691	76	34.5
89504	7.88	200	8.50	216	868	55	1.934	80	36.3
89504N	8.50	216	8.50	216	-	-	-	81	36.7
89505	8.50	216	9.13	232	978	62	3.179	83	37.6
89506	9.13	232	9.75	248	1090	69	2.429	86	39
89506N	9.75	248	9.75	248	-	-	-	87	39.4
89507	9.75	248	10.38	264	1203	76	2.68	90	40.8
89508	10.38	264	11.00	279	1316	83	2.932	93	42.2
89508N	11.00	279	11.00	279	-	-	-	94	42.6
89509	11.00	279	11.63	295	1431	91	3.189	96	43.5
89510	11.63	295	12.25	311	1546	98	3.445	99	44.9
89511	12.25	311	12.88	327	1662	105	3.703	103	46.7
89512	12.88	327	13.50	343	1779	113	3.964	106	48
89512N	13.50	343	13.50	343	-	-	-	107	48.5
89513	13.50	343	14.13	359	1896	120	4.225	109	49.4
89514	14.13	359	14.75	375	2013	127	4.485	113	51.2
89514N	14.75	375	14.75	375	-	-	-	114	51.7
89515	14.75	375	15.38	391	2113	135	4.748	116	52.6
89516	15.38	391	16.00	406	2249	142	5.011	119	54
89516N	16.00	406	16.00	406	-	-	-	120	54.4
89517	16.00	406	16.63	422	2368	150	5.276	122	55.3
89518	16.63	422	17.25	438	2487	157	5.541	126	57.1
89518N	17.25	438	17.25	438	-	-	-	127	57.6
89519	17.25	438	17.88	454	2606	165	5.807	129	58.5
89520	17.88	454	18.50	470	2752	174	6.132	132	59.9

For additional product information, please visit www.zurn.ca

*Regularly furnished unless otherwise specified.

†Indicates grate will be shipped unpainted. For an additional charge, Zurn will paint the grates. Please contact your customer service representative for pricing.

Z898 18" WIDE TRENCH DRAIN SYSTEM

Standard length: 60"
Standard grate: FS

ENGINEERING SPECIFICATION

18" Wide Pre-Sloped Trench Drainage System with 1/8" per foot slope. #12 Gage Type 304 Stainless Steel drain channel with bolted flanged connection complete with rubber neoprene flange gasket, and stamped stainless steel grate.

PREFIX	DESCRIPTION	CHANNEL NUMBER	LIST PRICE/EACH	LIST PRICE/FOOT
Z*	#12 Gage Type 304 Stainless Steel Trench	89801 through 89806	2,996.00	1,499.00
Z*	#12 Gage Type 304 Stainless Steel Trench	89807 through 89820	3,851.00	1,926.00
ENDCAP/OUTLET OPTIONS				ADD/EACH
Endcaps/Outlet				1,000.00
GRATE OPTIONS - NO STANDARD GRATE			ADD/EACH	ADD/FOOT
-RFS	Fabricated Stainless Steel Slotted Grate - Class A		5,014.00	2,508.00
-RFSC	Fabricated Stainless Steel Slotted Grate - Class C		5,274.00	2,638.00
-RPS	Stainless Steel Perforated Grate - Class A		5,014.00	2,508.00
-SBG	Stainless Steel Bar Grate - Class A		3,857.00	1,929.00
-GG	Fiberglass Grate - Class A		1,011.00	506.00
MISCELLANEOUS OPTIONS				ADD/EACH
-DB	Bottom Drop-In Bucket			577.00
SERVICE CHARGES				ADD/EACH
Fabrication - 45°; 90°; Tee Fabs				6,839.00
- Cross Fabs				13,666.00

Trench Number	Overall Depth				Max. Flow Rate			Approx. Wt. (Less Grates)	
	A Min.		B Max.		cfs	gpm	lps	lb	Kg
	In.	mm	In.	mm					
89801	6.00	152	6.63	168	1	640	40	60	27
89802	6.63	168	7.25	184	2	805	51	62	28
89802N	7.25	184	7.25	184	-	-	-	64	29
89803	7.25	184	7.88	200	2	982	62	65	29
89804	7.88	200	8.50	216	3	1167	74	67	30
89804N	8.50	216	8.50	216	-	-	-	68	31
89805	8.50	216	9.13	232	3	1361	86	69	31
89806	9.13	232	9.75	248	3	1562	99	72	33
89806N	9.75	248	9.75	248	-	-	-	73	33
89807	9.75	248	10.38	264	4	1769	112	74	34
89808	10.38	264	11.00	279	4	1982	125	76	34
89808N	11.00	279	11.00	279	-	-	-	77	35
89809	11.00	279	11.63	295	5	2200	139	78	35
89810	11.63	295	12.25	311	5	2423	153	81	37
89810N	12.25	311	12.25	311	-	-	-	82	37
89811	12.25	311	12.88	327	6	2651	167	83	38
89812	12.88	327	13.50	343	6	2882	182	85	39
89812N	13.50	343	13.50	343	-	-	-	86	39
89813	13.50	343	14.13	359	7	3117	197	88	40
89814	14.13	359	14.75	375	7	3356	212	90	41
89814N	14.75	375	14.75	375	-	-	-	91	41
89815	14.75	375	15.38	391	8	3597	227	92	42
89816	15.38	391	16.00	406	9	3841	242	95	43
89816N	16.00	406	16.00	406	-	-	-	96	44
89817	16.00	406	16.63	422	9	4089	258	97	44
89818	16.63	422	17.25	438	10	4338	274	99	45
89818N	17.25	438	17.25	438	-	-	-	100	45
89819	17.25	438	17.88	454	10	4590	290	102	46
89820	17.88	454	18.50	470	11	4844	306	104	47

*Regularly furnished unless otherwise specified.

‡Indicates grate will be shipped unpainted. For an additional charge, Zurn will paint the grates. Please contact your customer service representative for pricing.

For additional product information, please visit www.zurn.ca

Z894 24" WIDE TRENCH DRAIN SYSTEM

Standard length: 24"
Standard grate: FS

ENGINEERING SPECIFICATION

24" Wide Pre-Sloped Trench Drainage System with 1/8" per foot slope. #12 Gage Type 304 Stainless Steel drain channel with bolted flanged connection complete with rubber neoprene flange gasket, and stamped stainless steel grate.

PREFIX	DESCRIPTION	CHANNEL NUMBER	LIST PRICE/ EACH	LIST PRICE/ FOOT
Z*	#12 Gage Type 304 Stainless Steel Trench	Section 1-6 (6"-9.75" invert)	3,608.00	1,804.00
Z*	#12 Gage Type 304 Stainless Steel Trench	Section 7-12 (9.75"- 13.5")	4,067.00	2,034.00
ENDCAP/OUTLET OPTIONS				ADD/EACH
Endcaps/Outlet				546.00
GRATE OPTIONS - NO STANDARD GRATE				ADD/EACH ADD/FOOT
-FS	Fabricated Stainless Steel Slotted Grate - Class A		4,354.00	2,178.00
-PS	Fabricated Stainless Steel Perforated Grate - Class A		4,354.00	2,178.00
-RFS	Fabricated Stainless Steel Slotted Grate - Class C		5,595.00	2,798.00
-RPS	Stainless Steel Perforated Grate - Class C		5,595.00	2,798.00
-SBG	Stainless Steel Bar Grate - Class A		12,232.00	6,118.00
-GG	Fiberglass Grate - Class A		1,843.00	922.00
MISCELLANEOUS OPTIONS				ADD/EACH
-DB	Bottom Drop-In Bucket			577.00
SERVICE CHARGES				ADD/EACH
Fabrication - 45°; 90°; Tee Fabs				6,097.00
- Cross Fabs				12,185.00

Trench Number	Overall Depth				Max. Flow Rate			Approx. Wt. (Less Grates)	
	A Min.		B Max.		cfs	gpm	lps	lb	Kg
	In.	mm	In.	mm					
89401	6.00	152	6.63	168	3	1299	82	70	32
89402	6.63	168	7.25	184	4	1636	103	72	33
89402N	7.25	184	7.25	184	-	-	-	73	33
89403	7.25	184	7.88	200	4	1991	126	74	34
89404	7.88	200	8.50	216	5	2362	149	76	34
89404N	8.50	216	8.50	216	-	-	-	77	35
89405	8.50	216	9.13	232	6	2746	173	78	35
89406	9.13	232	9.75	248	7	3142	198	80	36
89406N	9.75	248	9.75	248	-	-	-	81	37
89407	9.75	248	10.38	264	8	3548	224	82	37
89408	10.38	264	11.00	279	9	3963	250	84	38
89408N	11.00	279	11.00	279	-	-	-	85	39
89409	11.00	279	11.63	295	10	4387	277	86	39
89410	11.63	295	12.25	311	11	4817	304	88	40
89410N	12.25	311	12.25	311	-	-	-	89	40
89411	12.25	311	12.88	327	12	5253	331	90	41
89412	12.88	327	13.50	343	13	5696	359	92	42
89412N	13.50	343	13.50	343	-	-	-	93	42
89413	13.50	343	14.13	359	14	6143	388	94	43
89414	14.13	359	14.75	375	15	6595	416	96	44
89414N	14.75	375	14.75	375	-	-	-	97	44
89415	14.75	375	15.38	391	16	7051	445	98	44
89416	15.38	391	16.00	406	17	7512	474	100	45
89416N	16.00	406	16.00	406	-	-	-	101	46
89417	16.00	406	16.63	422	18	7975	503	102	46
89418	16.63	422	17.25	438	19	8442	533	104	47
89418N	17.25	438	17.25	438	-	-	-	105	48
89419	17.25	438	17.88	454	20	8912	562	106	48
89420	17.88	454	18.50	470	21	9385	592	108	49

For additional product information, please visit www.zurn.ca

*Regularly furnished unless otherwise specified.

†Indicates grate will be shipped unpainted. For an additional charge, Zurn will paint the grates. Please contact your customer service representative for pricing.

PERMA-TRENCH®

STAINLESS / SANI-FLO®

SLOT DRAIN / HI-CAP®

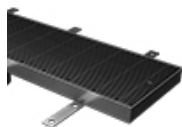
ALUMINIUM TRENCH

FIBERGLASS

FRAME AND GRATE SYSTEMS

OIL SEPARATORS

Z899-100 ELEVATOR TRENCH DRAIN SYSTEM



Standard Length: Custom sizes from 36"-96"
Standard Grate Included: SWG Standard 4" No-Hub Outlet

ENGINEERING SPECIFICATION

Zurn Z899-100 elevator drain, stainless steel channel made of #11 gauge fabricated stainless steel conforming to ASTM A-240 (type 304) with center outlet, anchor straps, and bead blasted finish. Elevator drain is engineered to enhance flow through the system through use of funnel style outlet and flow directing ribbing structure. Standard grate to be stainless steel wire grate (-SWG) conforming to ASTM A-240 (type 304), with vandal proof grate lock downs, meets ADA and heel-proof requirements, has an open area 83.74 sq. in. / linear foot [1,771.94 sq. cm. / linear meter], and is listed as Class A per DIN EN1433 load classification, in addition to being tested to 2500 lbs per ASME A112.6.3. Optional fabricated stainless steel grate (-FS) available, conforming to ASTM A-240 (type 304), with vandal proof grate lock downs, meets ADA and heel-proof requirements, has an open area 34.13 sq. in. / linear foot [722.19 sq. cm. / linear meter], and is listed as Class A per DIN EN1433 load classification, in addition to being tested to 2500 lbs per ASME A112.6.3. This system has been designed to comply with SFFC Code, Section 511.1 for a 100 GPM flow rate. (Replaces Z895-94 and Z899).

NOTES

Max 96 / Min 36 Length must be met to satisfy 100 GPM flow rate specification.

MADE IN THE U.S.A. (HIGHLIGHTED IN GRAY)			
PREFIX	DESCRIPTION	CHANNEL NUMBER	LIST PRICE
Z*	Type 304 Stainless Steel (regularly furnished) - Custom sizes from 36"-96 with SWG Stainless Wire Grate	Z899-100-36-SWG	8,588.00
		Z899-100-48-SWG	11,443.00
		Z899-100-60-SWG	14,306.00
		Z899-100-72-SWG	17,162.00
		Z899-100-96-SWG	22,884.00
		Z899-100-SWG (per foot)	3,322.00
Z*	Type 304 Stainless Steel (regularly furnished) - Custom sizes from 36"-96" with -FS Fabricated Slotted Stainless Steel Grate	Z899-100-36-FS	9,041.00
		Z899-100-48-FS	12,052.00
		Z899-100-60-FS	15,063.00
		Z899-100-72-FS	18,077.00
		Z899-100-96-FS	24,096.00
		Z899-100-FS (per foot)	3,464.00
SUFFIX OPTIONS			ADD/EACH
-P	1/2" Trap Primer Connection		701.00
-LAS	Less Anchor Straps		N/C
-BPC	Black Powder Coating		356.00

Z891 STAINLESS STEEL SLOTTED DRAINAGE SYSTEM



Standard Length: 5'

ENGINEERING SPECIFICATION

Channels shall be 5' long, 3/4" wide slot and have a 2-1/4" wide throat. Modular channel sections shall be made of 16-gauge type 304 stainless steel. Channel shall be provided with no slope (neutral) or with a 1.04% built-in slope. Channels shall be available with inverts ranging from 4" to 16.5". End caps and catch basins shall be available to complement the channels. Trench drain shall be Flo-Thru model Z891.

NOTES

Type 316 Stainless Steel trench is available upon request. Please call customer care for pricing and lead time.

PREFIX	DESCRIPTION	LIST PRICE/EACH	LIST PRICE/FOOT
Z*	5' #16 Gauge Type 304 Modular Stainless Steel Slotted Trench Drain with Bolted Flange Connection	4,415.00	885.00
MADE IN THE U.S.A. (HIGHLIGHTED IN GRAY)			
OUTLET ADAPTERS			ADD/EACH
P891-E1	Closed End Cap		577.00
P891-E2	2" No-Hub End Outlet		577.00
P891-U2	2" No-Hub Bottom Outlet		577.00
MISCELLANEOUS OPTIONS			ADD/EACH
P891-HD	Class E Heavy Duty Reinforcement	1,537.00	309.00
P891-K	Waterproofing Flange	1,161.00	235.00
P891-KC	Pan and Clamping Collar with Weep Holes	1,733.00	348.00

Trench Number	Shallow Invert		Deep Invert		Flow Rate			Approx. Wt.	
	In.	mm	In.	mm	cfs	gpm	lps	lb	Kg
89101	4	102	4.63	118	51	3	194	15	6.8
89102	4.63	118	5.25	133	67	4	255	16	7.3
89103	5.25	133	5.88	149	84	5	316	17	7.7
89104	5.88	149	6.50	165	100	6	378	18	8.2
89105	6.50	165	7.13	181	117	7	441	19	8.6
89106	7.13	181	7.75	197	135	8	504	20	9.1
89107	7.75	197	8.38	213	150	9	568	21	9.6
89108	8.38	213	9.00	229	167	11	632	22	10
89109	9.00	229	9.63	245	184	12	696	23	10.5
89110	9.63	245	10.00	260	201	13	760	24	10.9

*Regularly furnished unless otherwise specified.

‡Indicates grate will be shipped unpainted. For an additional charge, Zurn will paint the grates. Please contact your customer service representative for pricing.

For additional product information, please visit www.zurn.ca

Z893 STAINLESS STEEL FLOOR RECEPTOR WITH BAR GRATE



ENGINEERING SPECIFICATION

Channels are made of #14 ga. fabricated Stainless Steel conforming to ASTM A-240 (Type 304). Channels weigh less than 4.15 lb per linear foot, have a smooth, 1.5" radiused self cleaning bottom with a Manning's coefficient of .009. Channels have feet for patty pour or leveling studs standard to secure trench in its final location with 4" No-Hub bottom outlet. All welds must be performed by a certified welder per ASTM standard AWS D1.6. Channels to be produced in the U.S.A.

NOTES

Standard size units are shown, special sizes are available upon request.

SIZE W" X L"	GRATE WIDTH	SBG QTY.	LIST PRICE	-SBG LIST	-RFS LIST	-RPS LIST
12x 24	11.25	1	5,153.00	1,446.00	2,298.00	2,298.00
12x 30	11.25	2	5,927.00	2,891.00	3,952.00	3,952.00
12x 36	11.25	2	5,927.00	2,891.00	4,161.00	4,161.00
12x 48	11.25	2	6,201.00	2,891.00	4,584.00	4,584.00
12x 60	11.25	3	6,974.00	4,335.00	6,453.00	6,453.00
12x 72	11.25	3	9,166.00	4,335.00	6,874.00	6,874.00
12x 84	11.25	4	9,890.00	5,778.00	8,743.00	8,743.00
12x 96	11.25	4	11,142.00	5,778.00	9,166.00	9,166.00
12x 108	11.25	5	12,281.00	7,222.00	11,033.00	11,033.00
12x 120	11.25	5	12,281.00	7,222.00	11,456.00	11,456.00
18x 24	17.25	1	8,335.00	1,541.00	2,590.00	2,590.00
18x 30	17.25	2	12,756.00	3,080.00	4,391.00	4,391.00
18x 36	17.25	2	12,756.00	3,080.00	4,650.00	4,650.00
18x 48	17.25	2	13,212.00	3,080.00	5,250.00	5,034.00
18x 60	17.25	3	16,894.00	4,619.00	7,233.00	7,233.00
18x 72	17.25	3	20,150.00	4,619.00	7,757.00	7,757.00
18x 84	17.25	4	21,518.00	6,159.00	9,817.00	9,817.00
18x 96	17.25	4	21,579.00	6,159.00	10,340.00	10,340.00
18x 108	17.25	5	26,224.00	7,698.00	12,401.00	12,401.00
18x 120	17.25	5	26,224.00	7,698.00	12,924.00	12,924.00
24x 24	23.25	2	12,290.00	2,435.00	8,022.00	8,022.00
24x 30	23.25	2	10,685.00	4,869.00	11,853.00	11,853.00
24x 36	23.25	2	10,685.00	4,869.00	13,250.00	13,250.00
24x 48	23.25	3	13,243.00	7,301.00	18,475.00	18,475.00
24x 60	23.25	3	13,789.00	7,301.00	21,269.00	21,269.00
24x 72	23.25	4	16,790.00	9,735.00	26,496.00	26,496.00
24x 84	23.25	5	20,196.00	12,167.00	31,719.00	31,719.00
24x 96	23.25	5	21,387.00	12,167.00	34,513.00	34,513.00
24x 108	23.25	6	23,946.00	14,601.00	39,740.00	39,740.00
24x 120	23.25	6	27,815.00	14,601.00	42,531.00	42,531.00

Size	No. of Grates	Dimensions in Inches [mm]					
		A		B		C	
		In.	mm	In.	mm	In.	mm
12	1	14.3	363	24	610	4	102
	2			24	1219		
	3			72	1829		
	5			120	3048		
18	1	20.3	516	24	610	4	102
	2			24	1219		
	3			72	1829		
	5			120	3048		
24	1	26.6	676	24	610	4	102
	2			24	1219		
	3			72	1829		
	5			120	3048		

PERMA-TRENCH®

STAINLESS / SANI-FLO®

SLOT DRAIN / HI-CAP®

ALUMINUM TRENCH

FIBERGLASS

FRAME AND GRATE SYSTEMS

OIL SEPARATORS

Z897 STAINLESS STEEL CATCH BASIN



Standard Grate Included: FS or PS

ENGINEERING SPECIFICATION

Catch Basins shall be 6" wide x 20" long x 20" deep, 12" wide x 24" long x 24" deep, or 24" wide x 24" long x 24" deep and shall be made of #16- or #12-gauge 304 stainless steel. Choices of class A thru E grates shall be available with H-20, FAA, and/or ADA compliance. Outlets in 2", 3", 4", 6", and 8" diameters shall be available. Catch Basin shall be Flo-Thru model Z897.

NOTES

Type 316 Stainless Steel trench is available upon request. Please contact customer care for pricing and lead time. Please contact customer care for mechanical lockdown availability and pricing.

PREFIX	DESCRIPTION	NOMINAL SIZE	APPROX. WT. LBS. (LESS GRATES)	STANDARD PRICE
Z*	Stainless Steel Catch Basin	6x20	49	8,992.00
		12x24	67	10,499.00
		24x24	88	11,998.00

OUTLET OPTIONS			
2", 3", 4", 6"			549.00

GRATE OPTIONS		6X20 (P6-OPTION)	12X24 (P12-OPTION)	24X24 (P24-OPTION)
-GG	Fiberglass Grate - Class A	285.00	286.00	1,110.00
-HPS	Heel-Proof Stainless Steel Slotted Grate - Class A	464.00	-	-
-RFSC	Reinforced Stainless Steel Slotted Grate - Class C	262.00	813.00	-
-RPSC	Reinforced Stainless Steel Perforated ADA Grate - Class C	260.00	872.00	-
-RPSRC	Reinforced Stainless Steel Perforated Reverse Punch Anti-Slip ADA Grate - Class C	599.00	793.00	-
-SBG	Stainless Steel Bar Grate - Class E	446.00	-	-
-SCD	Stainless Steel Circular Decorative Grate - Class B	464.00	-	-
-SDD	Stainless Steel Diagonal Decorative Grate - Class B	464.00	-	-
-SOD	Stainless Steel Decorative Grate - Class B	464.00	-	-

MADE IN THE U.S.A. (HIGHLIGHTED IN GRAY)

GRATE OPTIONS		6X20	12X24	24X24
-FS	Fabricated Stainless Steel Slotted Grate - Class A	124.00	440.00	2,877.00
-PS	Perforated Stainless Steel Grate - Class A	113.00	591.00	3,853.00
-SBG-L	Stainless Steel Bar Grate - Class C	-	724.00	-

MISCELLANEOUS OPTIONS			ADD/EACH	
-K	Anchor Flange	247.00	426.00	606.00
-KC	Clamp Collar and Pan	368.00	543.00	723.00
-VP	Vandal-Proof Center Lockdown	187.00	187.00	187.00

			ADD/EACH	
-YS	Stainless Steel Sediment Bucket	518.00	749.00	1,260.00

PERMA-TRENCH®

STAINLESS / SANI-FLO®

SLOT DRAIN / HI-CAP®

ALUMINUM TRENCH

FIBERGLASS

FRAME AND GRATE SYSTEMS

OIL SEPARATORS

*Regularly furnished unless otherwise specified.

‡Indicates grate will be shipped unpainted. For an additional charge, Zurn will paint the grates. Please contact your customer service representative for pricing.

For additional product information, please visit www.zurn.ca

NOTES

PERMA-TRENCH®

STAINLESS / SANI-FLO®

SLOT DRAIN / HI-CAP®

ALUMINUM TRENCH

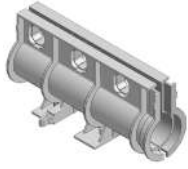
FIBERGLASS

FRAME AND GRATE SYSTEMS

OIL SEPARATORS

For additional product information, please visit www.zurn.ca

Z888-4 SLOTTED DRAINAGE SYSTEM



Standard Length: 40" (3.33')

ENGINEERING SPECIFICATION

Slot drain shall be 40" long, 4" wide, and 8" invert with 1/2" slot opening (ADA compliant). Drain shall be made of High Density Polyethylene (HDPE) and be UV-10 stabilized. Drain shall have rebar clips molded onto bedding feet and/or bedding feet shall be used for positioning and anchoring purposes. Overlap connection shall be interlocked.

PART NO.	80" (2032MM) SECTIONS	EACH
P888-4	4" (101.6mm) Channel Only	709.00
PART NO.	EACH	
P888-4-E1	Closed End Cap	32.00
P888-4-E2	2" (50.87mm) No-Hub End Outlet	32.00
P888-4-E3	3" (76.2mm) No-Hub End Outlet	32.00
P888-4-E4	4" (101.6mm) No-Hub End Outlet	32.00
P888-4-U2	2" (50.87mm) No-Hub Bottom Outlet	36.00
P888-4-U3	3" (76.2mm) No-Hub Bottom Outlet	36.00
P888-4-U4	4" (101.6mm) No-Hub Bottom Outlet	36.00

Z888-6 SLOTTED DRAINAGE SYSTEM



Standard Length: 40" (3.33')

ENGINEERING SPECIFICATION

Slot drain shall be 40" long, 4" wide, and 11-3/4" invert with 1/2" slot opening (ADA compliant). Drain shall be made of High Density Polyethylene (HDPE) and be UV-10 stabilized. Drain shall have rebar clips molded onto bedding feet and/or bedding feet shall be used for positioning and anchoring purposes. Overlap connection shall be interlocked.

PART NO.	80" (2032MM) SECTIONS	EACH
P888-6	6" (152.4mm) Channel Only	770.00
PART NO.	EACH	
P888-6-E1	Closed End Cap	42.00
P888-6-E2	2" (50.87mm) No-Hub End Outlet	42.00
P888-6-E3	3" (76.2mm) No-Hub End Outlet	42.00
P888-6-E4	4" (101.6mm) No-Hub End Outlet	42.00
P888-6-U2	2" (50.87mm) No-Hub Bottom Outlet	42.00
P888-6-U3	3" (76.2mm) No-Hub Bottom Outlet	42.00
P888-6-U4	4" (101.6mm) No-Hub Bottom Outlet	42.00

Z888-8 SLOTTED DRAINAGE SYSTEM



Standard Length: 40" (3.33')

ENGINEERING SPECIFICATION

Slot drain shall be 40" long, 4" wide, and 17-5/8" invert with 1/2" wide slot opening (ADA compliant). Drain shall be made of High Density Polyethylene (HDPE) and be UV-10 stabilized. Drain shall have rebar clips molded onto bedding feet and/or bedding feet shall be used for positioning and anchoring purposes. Overlap connection shall be interlocked.

PART NO.	80" (2032MM) SECTIONS	EACH
P888-8	8" (203.2mm) Channel Only	940.00
PART NO.	EACH	
P888-8-E1	Closed End Cap	42.00
P888-8-E2	2" (50.87mm) No-Hub End Outlet	42.00
P888-8-E3	3" (76.2mm) No-Hub End Outlet	42.00
P888-8-E4	4" (101.6mm) No-Hub End Outlet	42.00
P888-8-U2	2" (50.87mm) No-Hub Bottom Outlet	42.00
P888-8-U3	3" (76.2mm) No-Hub Bottom Outlet	42.00
P888-8-U4	4" (101.6mm) No-Hub Bottom Outlet	42.00

*Regularly furnished unless otherwise specified.

‡Indicates grate will be shipped unpainted. For an additional charge, Zurn will paint the grates. Please contact your customer service representative for pricing.

For additional product information, please visit www.zurn.ca

Z888-12,-18 HIGH CAPACITY TRENCH DRAIN SYSTEM SLOTTED DRAINAGE SYSTEM



Standard Length: 80" (6.67')

ENGINEERING SPECIFICATION

Slot drain shall be 80" long, Z888-12 (14-1/4" deep and 12" wide) or Z888-18 (21" deep and 12" wide). Slot shall be 1-3/4" wide and have spacer bars at 5" intervals to keep sides of slot apart. Drain shall be made of Linear Low Density Polyethylene (LLDPE). Drain shall have tongue-and-groove interlocking ends and clips molded into the sides of the channel to accommodate vertical rebar for positioning and anchoring purposes. Drain shall be available with a choice of pedestrian, bicycle, FAA, and/or H-20 grates. End outlets, bottom outlets, and side outlets shall be available in 4", 6", 8", 12", 18", and 24" diameters along with Cleanout sections (Z889-12 and Z889-18). Slot drain shall be Flo-Thru model Z888-12 or Z888-18.

PART NO.	80" (2032MM) SECTIONS	EACH
P888-12	12" (304.8mm) Channel Only	1,348.00
P888-18	18" (457.2mm) Channel Only	1,600.00
PART NO.	EACH	
P888-12-E1	Closed End Cap	325.00
P888-12-E4	4" (101.6mm) No-Hub End Outlet	878.00
P888-12-E6	6" (152.4mm) No-Hub End Outlet	930.00
P888-12-E8	8" (203.2mm) No-Hub End Outlet	982.00
P888-12-E12	12" (204.8mm) No-Hub End Outlet	903.00
PART NO.	EACH	
P888-18-E1	Closed End Cap	389.00
P888-18-E8	8" (203.2mm) No-Hub End Outlet	626.00
P888-18-E12	12" (204.8mm) No-Hub End Outlet	749.00
P888-18-E18	18" (457.2mm) No-Hub End Outlet	1,614.00
P888-18-E24	24" (609.6mm) No-Hub End Outlet	1,614.00
PART NO.	EACH	
P888-12/18-HD	Steel Frame with Slot	1,257.00
P888-12/18-HDG	Galvanized Ductile Iron Frame with Slot	1,648.00
P888-12/18-HPD	Heel-Proof Ductile Iron Frame and Grate	1,257.00
P888-12/18-HPG	Galvanized Heel-Proof Ductile Iron Frame and Grate	1,648.00
P888-12/18-PSF	Pre-Sloped Frame	1,823.00
PART NO.	EACH	
P888-T12/18	Transition from -12 to -18	1,727.00
P888-T18/12	Transition from -18 to -12	1,764.00

Z889-12,-18 HIGH CAPACITY CLEANOUT PORT



Standard Length: 24"

Standard Grate: H20 Ductile Frame/Grate

ENGINEERING SPECIFICATION

Slot drain Cleanout Port shall be 24" long, Z889-12 (14-1/4" deep and 12" wide) or Z889-18 (21" deep and 12" wide). The grate shall be 8" wide. Cleanout Port shall be made of Linear Low Density Polyethylene (LLDPE), tongue-and-groove interlocking ends, and clips molded into the sides of the channel to accommodate vertical rebar for positioning and anchoring purposes. Cleanout Port shall be available with a choice of pedestrian, bicycle, FAA, and/or H-20 grates. End outlets, bottom outlets, and side outlets shall be available in 4", 6", 8", 12", 18", and 24" diameters. Slot drain Cleanout Port shall be Flo-Thru model Z889-12 or Z889-18.

PART NO.	80" (2032MM) SECTIONS	EACH
P889-12	12" (304.8mm) Channel Only	1,012.00
P889-18	18" (457.2mm) Channel Only	1,605.00
PART NO.	EACH	
P889-12-E1	Closed End Cap	325.00
P889-12-E4	4" (101.6mm) No-Hub End Outlet	878.00
P889-12-E6	6" (152.4mm) No-Hub End Outlet	930.00
P889-12-E8	8" (203.2mm) No-Hub End Outlet	982.00
P889-12-E12	12" (204.8mm) No-Hub End Outlet	903.00
PART NO.	EACH	
P889-18-E1	Closed End Cap	389.00
P889-18-E8	8" (203.2mm) No-Hub End Outlet	626.00
P889-18-E12	12" (204.8mm) No-Hub End Outlet	749.00
P889-18-E18	18" (457.2mm) No-Hub End Outlet	1,614.00
P889-18-E24	24" (609.6mm) No-Hub End Outlet	1,614.00
PART NO.	EACH	
P889-12/18-HD	Steel Frame with Slot	1,257.00
P889-12/18-HDG	Galvanized Ductile Iron Frame with Slot	1,648.00
P889-12/18-HPG	Galvanized Heel-Proof Ductile Iron Frame and Grate	1,648.00
P889-12/18-HPS	Stainless Steel Cast Heel-Proof Frame and Grate	1,257.00
P889-12/18-PSF	Pre-Sloped Frame	1,823.00
PART NO.	EACH	
P889-T12/18	Transition from -12 to -18	1,727.00
P889-T18/12	Transition from -18 to -12	1,764.00

ZA880-156 EXTRUDED ALUMINUM TRENCH DRAIN SYSTEM



Standard Length: 8'
Standard Grate Included: BZ

ENGINEERING SPECIFICATION

Zurn ZA880-156 Extruded Aluminum Trench Drain System. 1.63" interior width x 4" overall height x 8' long. Complete with 1.5" wide flanges on side. Material to be Aluminum Alloy T-6063. Cast bronze decorative grate conforms to ASTM B584 Copper Alloy No. 844. Trench is anodized after extrusion to match grate color.

PREFIX	DESCRIPTION	NO. OF GRATES PER CHANNEL	PER EACH	PER FOOT	
ZA*	8' Extruded Aluminum Trench Drain System	4	3,560.00	445.00	
OUTLET ADAPTERS				ADD/EACH	
PA880-156-E1	Closed End Cap			300.00	
PA880-156-E1.5	1-1/2" No-Hub End Outlet			265.00	
PA880-156-U1.5	1-1/2" No-Hub Bottom Outlet			265.00	
GRATE OPTIONS				ADD/EACH	ADD/FOOT
PA880-156-AWG	Aluminum Wire Grate - Class A		2,600.00	325.00	
PA880-156-AZ	Aluminum Decorative Grate - Class A		2,384.00	298.00	
PA880-156-BZ	Bronze Decorative Grate - Class A		2,384.00	298.00	
PA880-156-NBZ	Nickel Bronze Decorative Grate - Class A		2,600.00	325.00	
MISCELLANEOUS OPTIONS				ADD/EACH	ADD/FOOT
PA880-K	Anchor Flange		256.00	32.00	
PA880-KC	Clamp Collar and Pan (Includes -K)		6,976.00	872.00	
PA880-LF	Leveling Feet		2,784.00	348.00	
SERVICE CHARGES				ADD/EACH	
Fabrication	- 45°; 90°; Tee Fabs			735.00	
	- Cross Fabs			1,475.00	

ZA880-300A EXTRUDED ALUMINUM TRENCH DRAIN SYSTEM (PRICING WITHOUT GRATE)

ENGINEERING SPECIFICATION

Zurn ZA880-300A Extruded Aluminum Trench Drain System. 3.00" interior width x 6" overall height x 8' long. Complete with 2" wide flanges on both sides. Material to be Aluminum Alloy T-6063. Available with aluminum, bronze, ductile iron, and nickel bronze grates. Trench is anodized after extrusion to match grate color.

ZA880-300B EXTRUDED ALUMINUM TRENCH DRAIN SYSTEM (PRICING WITHOUT GRATE)

ENGINEERING SPECIFICATION

Zurn ZA880-300B Extruded Aluminum Trench Drain System. 3.00" interior width x 6" overall height x 8' long. Complete with 1.5" wide flanges on both sides. Material to be Aluminum Alloy T-6063. Available with aluminum, bronze, ductile iron, and nickel bronze grates. Trench is anodized after extrusion to match grate color.

ZA880-340 EXTRUDED ALUMINUM TRENCH DRAIN SYSTEM (PRICING WITHOUT GRATE)

ENGINEERING SPECIFICATION

Zurn ZA880-340 Extruded Aluminum Trench Drain System. 3.00" interior width x 4" overall height x 8' long. Material to be Aluminum Alloy T-6063. Available with aluminum, bronze, and nickel bronze grates. Trench is anodized after extrusion to match grate color.

PREFIX	DESCRIPTION	NO. OF GRATES PER CHANNEL	CHANNEL NUMBER	PER EACH	PER FOOT
ZA	8' Extruded Aluminum Trench Drain System	4	880-300A	5,904.00	738.00
			880-300B	5,904.00	738.00
			880-340	5,904.00	738.00
OUTLET ADAPTERS				ADD/EACH	
PA880-300/340-E1	Closed End Outlet				348.00
PA880-300/340-U2	2" No-Hub Bottom Outlet Channel				387.00
GRATE OPTIONS				ADD/EACH	ADD/FOOT
PA880-300/340-AWG	Aluminum Wire Grate - Class A			3,160.00	395.00
PA880-300/340-AZ	Aluminum Decorative Grate - Class A			872.00	109.00
PA880-300/340-BZ	Bronze Decorative Grate - Class A			4,048.00	506.00
PA880-300/340-DOG	Ductile Decorative Grate - Class A			1,048.00	131.00
PA880-300/340-NBZ	Nickel Bronze Decorative Grate - Class A			5,624.00	703.00
MISCELLANEOUS OPTIONS				ADD/EACH	ADD/FOOT
PA880--K	Anchor Flange			256.00	32.00
PA880-KC	Clamp Collar and Pan (Includes -K)			6,976.00	872.00
PA880-LF	Leveling Feet (ZA880-340 Only)			360.00	45.00
SERVICE CHARGES				ADD/EACH	
Fabrication	- 45°; 90°; Tee Fabs				735.00
	- Cross Fabs				1,475.00

*Regularly furnished unless otherwise specified.

†Indicates grate will be shipped unpainted. For an additional charge, Zurn will paint the grates. Please contact your customer service representative for pricing.

For additional product information, please visit www.zurn.ca

ZF806 6" WIDE TRENCH DRAIN SYSTEM



Standard Length: 10'
Standard Grate Included: DGC

ENGINEERING SPECIFICATION

Channels shall be 10' long, 6" wide, and have a 4" wide throat. Modular channel sections shall be made of Fiber Reinforced Polyester (FRP) fiberglass, have interlocking ends, and radiused bottom. Channel shall be provided with no slope or with a .75% built-in slope. Channels shall be available with inverts ranging from 4.75" to 12.85". Choices of class A thru F grates shall be available with H-20 and/or FAA load ratings and/or ADA compliance with mechanical lockdown devices. A heavy-duty steel frame shall be provided to distribute weight between the grates and the FRP fiberglass channel. End caps and catch basins shall be available to complement the channels and grates. End outlets, bottom outlets, and side outlets shall be available in 2", 3", 4", and 6" diameters. Trench drain shall be Flo-Thru model ZF806.

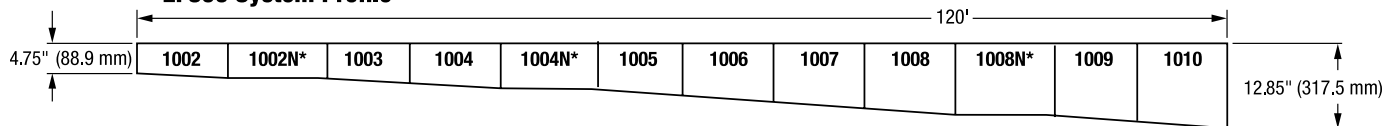
NOTE

White acid resistant coating also available for frame and grate

Trench Number	Shallow Invert		Deep Invert		Flow Rate		
	In.	mm	In.	mm	cfs	gpm	lps
1002	4.75	121	5.65	144	0.326	146	9
1002N	5.65	144	5.65	144	-	-	-
1003	5.65	144	6.55	166	0.427	192	12
1004	6.55	166	7.45	189	0.53	238	15
1004N	7.45	189	7.45	189	-	-	-
1005	7.45	189	8.35	212	0.635	285	18
1006	8.35	212	9.25	235	0.74	332	21
1007	9.25	235	10.15	258	0.845	379	24
1008	10.15	258	11.05	281	0.951	427	27
1008N	11.05	281	11.05	281	-	-	-
1009	11.05	281	11.95	304	1.058	475	30
1010	11.95	304	12.85	326	1.164	523	33

SERVICE CHARGES		ADD/EACH	
Fabrication	- 45°; 90°; Tee; Side Outlet Fabs		357.00
	- Cross Fabs		709.00
Cutting	Cutting for Each Cut Only		128.00
PART NO.	10' (3048MM) SLOPED & NEUTRAL SECTIONS	EACH	PER FOOT
1001-1013	Channel - Galvanized Welded Frames & Strap Assemblies*	2,180.00	218.00
SS-1001-1013	Channel - Stainless Steel Welded Frames & Strap Assemblies*	4,070.00	407.00
	*Vinyl Add On	N/A	48.00
PART NO.	CAST GRATES - 20" (508MM)	EACH	PER FOOT
P6-BZ	Bronze Decorative Grate - Class A	887.00	532.00
P6-DC	Ductile Iron Solid Cover - Class C	112.00	67.00
P6-DGC	Ductile Iron Slotted Grate - Class C	110.00	66.00
P6-DGE	Ductile Iron Slotted - Class E	139.00	83.00
P6-DBG	Ductile Iron Slotted Grate - Class C	115.00	69.00
P6-GDE	Galvanized Ductile Grate - Class E	139.00	83.00
P6-BG	Galvanized Ductile Iron Cast Bar Grate - Class C	154.00	92.00
P6-HPD	Heel Proof Longitudinal Ductile ADA Grate - Class B	99.00	59.00
P6-LD	Longitudinal Ductile Grate - Class B	130.00	78.00
P6-HPP	Heel-Proof Polyethylene ADA Grate - Class A (Light Duty)	59.00	35.00
P6-GG	Fiberglass Grate - Class A	475.00	285.00
PART NO.	FABRICATED GRATES - 40" (1016MM)	EACH	PER FOOT
P6-FG	Fabricated Galvanized Steel Slotted Grate - Class A	147.00	44.00
P6-PG	Galvanized Perforated Steel ADA Grate - Class A	134.00	40.00
P6-RPG	Reinforced Galvanized Perforated Grate - Class B	257.00	77.00
P6-GG	Fiberglass Grate - Class A	504.00	151.00
PART NO.	STAINLESS GRATES - 40" (1016MM)	EACH	PER FOOT
P6-FS	Fabricated Stainless Steel Slotted Grate - Class A	407.00	122.00
P6-PS	Stainless Steel Perforated Grate - Class A	370.00	111.00
P6-RPSC	Reinforced Stainless Steel Perforated ADA Grate - Class C	864.00	259.00
PART NO.	STAINLESS GRATES - 20" (508MM)	EACH	PER FOOT
P6-SBG	Stainless Steel Bar Grate - Class E	742.00	445.00
P6-SSBG	Fabricated Stainless Steel Bar Grate	1,077.00	646.00
P6-SSBG-HP	Heel-Proof Stainless Steel Bar Grate	POA	POA

ZF806 System Profile



ZF806 6" WIDE TRENCH DRAIN SYSTEM

PART NO.		ADD/EACH	
		Z	ZV
P806-E1	Closed End Cap	47.00	100.00
P806-E2	2" (50.8mm) No Hub End Outlet	47.00	100.00
P806-E3	3" (76.2mm) No Hub End Outlet	47.00	100.00
P806-E4	4" (101.6mm) No Hub End Outlet	47.00	100.00
P806-U2	2" (50.8mm) No Hub Bottom Outlet	47.00	100.00
P806-U3	3" (76.2mm) No Hub Bottom Outlet	47.00	100.00
P806-U4	4" (101.6mm) No Hub Bottom Outlet	47.00	100.00
P806-DB	Dome Bottom Strainer	93.00	N/A
P806-JC	Joint Connector	108.00	N/A
P806-FEC	Frame End Cap (Galvanized)	30.00	N/A
PS806-FEC	Frame End Cap (Stainless)	83.00	N/A
P806-SW	8.1" (205.74mm) High Sidewall Extension Adapter (Per Pair)	703.00	1,404.00

PERMA-TRENCH®

STAINLESS / SANI-FLO®

SLOT DRAIN / HI-CAP®

ALUMINUM TRENCH

FIBERGLASS

FRAME AND GRATE SYSTEMS

OIL SEPARATORS

*Regularly furnished unless otherwise specified.

‡Indicates grate will be shipped unpainted. For an additional charge, Zurn will paint the grates. Please contact your customer service representative for pricing.

For additional product information, please visit www.zurn.ca

ZF812 12" WIDE TRENCH DRAIN SYSTEM



Standard Length: 10'
Standard Grate Included: DGC

ENGINEERING SPECIFICATION

Channels shall be 10' long, 12" wide, and have a 9-1/4" wide throat. Modular channel sections shall be made of Fiber Reinforced Polyester (FRP) fiberglass, have interlocking ends, and radiused bottom. Channel shall be provided either flat (neutral) or with a 1.04% built-in slope. Channels shall be available with inverts ranging from 7.93" to 19.18". Choices of class A thru F grates shall be available with H-20 and/or FAA load ratings and/or ADA compliance with mechanical lockdown devices. A heavy-duty steel frame shall be provided to distribute weight between the grates and the FRP fiberglass channel. End caps and catch basins shall be available to complement the channels and grates. End outlets, bottom outlets, and side outlets shall be available in 4", 6", and 8" diameters. Trench drain shall be Flo-Thru model ZF812.

NOTE

White acid resistant coating also available for frame and grate

Trench Number	Shallow Invert		Deep Invert		Flow Rate		
	In.	mm	In.	mm	cfs	gpm	lps
2002	7.93	201	9.18	233	2.088	937	59
2002N	9.18	233	9.18	233	-	-	-
2003	9.18	233	10.43	265	2.730	1225	77
2004	10.43	265	11.68	297	3.388	1521	96
2004N	11.68	297	11.68	297	-	-	-
2005	11.68	297	12.93	328	4.058	1821	115
2006	12.93	328	14.18	360	4.736	2125	134
2007	14.18	360	15.43	392	5.42	2432	153
2008	15.43	392	16.68	424	6.109	2742	173
2008N	16.68	424	16.68	424	-	-	-
2009	16.68	424	17.93	455	6.802	3053	193
2010	17.93	455	19.18	487	7.498	3365	212

SERVICE CHARGES		ADD/EACH	
Fabrication	- 45°; 90°; Tee; Side Outlet Fabs		357.00
	- Cross Fabs		709.00
Cutting	Cutting for Each Cut Only		128.00
PART NO.	10' (3048MM) SLOPED & NEUTRAL SECTIONS	EACH	PER FOOT
2001-2013	Channel - Galvanized Welded Frames & Strap Assemblies*	4,610.00	461.00
SS-2001-2013	Channel - Stainless Steel Welded Frames & Strap Assemblies*	6,830.00	683.00
	*Vinyl Add On	N/A	96.00
PART NO.	CAST GRATES - 24" (609.6MM)	EACH	PER FOOT
P12-DC	Ductile Iron Solid Cover - Class C	478.00	239.00
P12-DGC	Ductile Iron Slotted Grate - Class C	372.00	186.00
P12-DGE	Ductile Iron Slotted - Class E	384.00	192.00
P12-DBF	Ductile Iron Slotted Grate - Class F	564.00	282.00
P12-GDC	Galvanized Ductile Grate - Class C	474.00	237.00
P12-GDE	Galvanized Ductile Grate - Class E	550.00	275.00
P12-GDF	Galvanized Ductile Grate - Class F	686.00	343.00
P12-GHPD	Galvanized Heel Proof Longitudinal Ductile ADA Grate - Class E	538.00	269.00
P12-HPD	Heel Proof Longitudinal Ductile ADA Grate - Class B	408.00	204.00
PART NO.	FABRICATED GRATES - 24" (609.6MM)	EACH	PER FOOT
P12-BG	Galvanized Ductile Iron Cast Bar Grate - Class D	494.00	247.00
P12-FG	Fabricated Galvanized Steel Slotted Grate - Class A	362.00	181.00
P12-RFG	Reinforced Galvanized Steel Slotted Grate - Class B	946.00	473.00
P12-PG	Galvanized Perforated Steel ADA Grate - Class A	364.00	182.00
P12-RPG	Reinforced Galvanized Perforated Grate - Class B	910.00	455.00
P12-GG	Fiberglass Grate - Class A	570.00	285.00
PART NO.	STAINLESS GRATES - 24" (609.6MM)	EACH	PER FOOT
P12-FS	Fabricated Stainless Steel Slotted Grate	878.00	439.00
P12-RFSC	Reinforced Galvanized Stainless Steel Slotted Grate - Class C	1,626.00	813.00
P12-PS	Stainless Steel Perforated Grate	1,180.00	590.00
P12-RPSC	Reinforced Stainless Steel Perforated ADA Grate - Class C	1,744.00	872.00
P12-SBG-L	Stainless Steel Bar Grate - Class C	2,706.00	1,353.00
		ADD/EACH	
PART NO.		Z	ZV
P812-E1	Closed End Cap	93.00	301.00
P812-E4	4" (101.6mm) No Hub End Outlet	93.00	301.00
P812-E6	6" (154.2mm) No Hub End Outlet	93.00	301.00
P812-E8	8" (203.2mm) No Hub End Outlet	259.00	301.00
P812-U4	4" (101.6mm) No Hub Bottom Outlet	140.00	301.00
P812-U6	6" (154.2mm) No Hub Bottom Outlet	140.00	301.00
P812-U8	8" (203.2mm) No Hub Bottom Outlet	151.00	301.00
P812-JC	Joint Connector	343.00	N/A
P812-FEC	Frame End Cap (Galvanized)	166.00	N/A
PS812-FEC	Frame End Cap (Stainless)	101.00	N/A
P812-DB	Dome Bottom Strainer	193.00	N/A

PERMA-TRENCH®

STAINLESS / SANI-FLO®

SLOT DRAIN / HI-CAP®

ALUMINUM TRENCH

FIBERGLASS

FRAME AND GRATE SYSTEMS

OIL SEPARATORS

ZF817 CATCH BASIN



Standard Grate Included: DGC

ENGINEERING SPECIFICATION

Catch Basins shall be 6" wide x 20" long x 20" deep, 12" wide x 24" long x 24" deep, or 24" wide x 24" long x 24" deep and shall be made of Fiber Reinforced Polyester (FRP) fiberglass. Choices of class A thru F grates shall be available with H-20, FAA, and/or ADA compliance. Outlets in 2", 3", 4", 6", and 8" diameters shall be available. Catch Basin shall be Flo-Thru model ZF817.

NOTE

- White acid resistant coating also available for frame and grate
Please contact customer care for mechanical lockdown availability and pricing.
Outlets also available in 10" and 12" - POA.

PART NO.		EACH
Z817-6x20	Basin Only*	826.00
	*Vinyl Add On	430.00
Z817-12x24	Basin Only*	926.00
	*Vinyl Add On	704.00
Z817-24x24	Basin Only*	1,028.00
	*Vinyl Add On	704.00

PART NO.	817 - FRAMES ONLY	EACH
PF817-HDF-12x24	12" (304.8mm) x 24" (609.6mm) Black Frame	365.00
PF817-HDF-24x24	24" (609.6mm) x 24" (609.6mm) Black Frame	811.00
PF817-HDG-12x24	12" (304.8mm) x 24" (609.6mm) Galvanized Frame	485.00
PF817-HDG-24x24	24" (609.6mm) x 24" (609.6mm) Galvanized Frame	1,056.00
PF817-SF-12x24	12" (304.8mm) x 24" (609.6mm) Stainless Frame	3,118.00
PF817-SF-24x24	24" (609.6mm) x 24" (609.6mm) Stainless Frame	4,011.00

Note: 6" (152.4mm) x 20" (508mm) Frames in a trench run are at no charge. A stand alone basin frame is POA

TO ADD GRATES TO OBTAIN A TOTAL BASIN PRICE

1	6" (152.4mm) x 20" (508mm) system list price, add the list price for (1) of the corresponding 806 grates to the basin price.
2	12" (304.8mm) x 24" (609.6mm) system list price, add the list price for (1) of the corresponding 812 grate to the basin price.
3	24" (609.6mm) x 24" (609.6mm) add (1) of the following 24" (609.6mm) x 24" (609.6mm) grates

PART NO.	GRATES 24" (609.6MM) X 24" (609.6MM)	EACH
P817-BG-24X24	Galvanized Ductile Iron Bar Grate - Class C	979.00
P817-DC-24X24	Ductile Iron Solid Cover - Class C	5,429.00
P817-DGC-24X24	Ductile Iron Slotted Grate - Class C	889.00
P817-DGF-24X24	Ductile Iron Slotted Grate - Class F	1,160.00
P817-FG-24X24	Galvanized Steel Slotted Grate - Class A	2,822.00
P817-FS-24X24	Fabricated Stainless Steel Slotted Grate - Class A	2,740.00
P817-GDF-24X24	Galvanized Ductile Grate - Class F	1,483.00
P817-GG-24X24	Fiberglass Grate - Class A	1,056.00
P817-SBG-24X24	Stainless Steel Bar Grate - Class E	3,818.00

PART NO.		EACH
P817-E4-U4	4" (101.6mm) Outlet	77.00
P817-E6-U6	6" (154.2mm) Outlet	78.00
P817-E8-U8	8" (203.2mm) Outlet	219.00
P817-IA6	6" (152.4mm) Inlet Adapter	116.00
P817-IA12	12" (304.8mm) Inlet Adapter	249.00
P817-Y6	6" (154.2mm) Sediment Bucket	272.00
P817-Y12	12" (304.8mm) Sediment Bucket	423.00
P817-Y24	24" (609.6mm) Sediment Bucket	537.00
PS817-Y6	Stainless Steel 6" (154.2mm) Sediment Bucket	494.00
PS817-Y12	Stainless Steel 12" (304.8mm) Sediment Bucket	825.00
PS817-Y24	Stainless Steel 24" (609.6mm) Sediment Bucket	1,394.00

*Regularly furnished unless otherwise specified.

‡Indicates grate will be shipped unpainted. For an additional charge, Zurn will paint the grates. Please contact your customer service representative for pricing.

For additional product information, please visit www.zurn.ca

Z706 6" WIDE FRAME AND GRATE SYSTEM



Standard Length: 10'
Standard Grate Included: DGC

ENGINEERING SPECIFICATION

ZURN Z706 6" Wide Frame and Grate System. Ten-foot long Dura-Coated 1" x 1" x 1/4" welded structural components with combination anchor tabs/leveling devices and anchor studs at appropriate locations. Complete with Ductile Iron Grate - Class C with lockdown.

NOTES

White acid resistant coating also available for frame and grate

PART NO.	10' (3048MM) WELDED FRAMES	EACH	PER FOOT
Z706	Frame Strap & Stud Assembly	590.00	59.00
Z706-GFA	Galvanized Frame Strap & Stud Assembly	880.00	88.00
ZS706-SFA	Stainless Steel Frame Strap & Stud Assembly	2,730.00	273.00

GRATES

To obtain the grate price add any Z886/Z806 grates

Z712 12" WIDE FRAME AND GRATE SYSTEM



Standard Length: 10'
Standard Grate Included: DGC

ENGINEERING SPECIFICATION

Zurn Z712 12" Wide Frame and Grate System. Ten-foot long Dura-Coated 1-3/4" x 1-3/4" x 1/4" angles with anchor studs at appropriate locations. Complete with Ductile Iron Grate - Class C with lockdown.

NOTES

White acid resistant coating also available for frame and grate

PART NO.	10' (3048MM) WELDED FRAMES	EACH	PER FOOT
Z712	Frame Strap & Stud Assembly	1,150.00	115.00
Z712-GFA	Galvanized Frame Strap & Stud Assembly	1,730.00	173.00
ZS712-SFA	Stainless Steel Frame Strap & Stud Assembly	3,890.00	389.00

GRATES

To obtain the grate price add any Z882/Z812 grates

Z717 17" WIDE FRAME AND GRATE SYSTEM



Standard Length: 80" (6.67')
Standard Grate Included: DGC†

ENGINEERING SPECIFICATION

Zurn Z717 17" Wide Frame and Grate System. 2" x 2-1/2" x 1/4" angle, 80" long, carbon steel frame assembly. Anchor studs and combination anchor tabs/leveling devices at appropriate locations for embedding into surrounding concrete. Complete with Class C ductile iron slotted grates (-DGC).

NOTES

White acid resistant coating also available for frame and grate

PART NO.	80" (2032MM) WELDED FRAMES	EACH	PER FOOT
Z717	Frame Strap & Stud Assembly	1,434.00	215.00
Z717-GFA	Galvanized Frame Strap & Stud Assembly	1,780.00	267.00
ZS717-SFA	Stainless Steel Frame Strap & Stud Assembly	3,047.00	457.00

GRATES

To obtain the grate price add any Z874-12 grates

Z723 23" WIDE FRAME AND GRATE SYSTEM



Standard Length: 80" (6.67')
Standard Grate Included: DGC†

ENGINEERING SPECIFICATION

Zurn Z723 23" Wide Frame and Grate System. 2" x 2-1/2" x 1/4" angle, 80" long, carbon steel frame assembly. Anchor studs and combination anchor tabs/leveling devices at appropriate locations for embedding into surrounding concrete. Complete with Class C ductile iron slotted grates (-DGC).

NOTES

White acid resistant coating also available for frame and grate

PART NO.	80" (2032MM) WELDED FRAMES	EACH	PER FOOT
Z723	Frame Strap & Stud Assembly	1,440.00	216.00
Z723-GFA	Galvanized Frame Strap & Stud Assembly	1,814.00	272.00
ZS723-SFA	Stainless Steel Frame Strap & Stud Assembly	5,100.00	765.00

GRATES

To obtain the grate price add any Z874-18 grates

Z726 26" WIDE FRAME AND GRATE SYSTEM



Standard Length: 80" (6.67')
Standard Grate Included: DGC†

ENGINEERING SPECIFICATION

Zurn Z726 26" Wide Frame and Grate System. 2" x 2-1/2" x 1/4" angle, 80" long, carbon steel frame assembly. Anchor studs and combination anchor tabs/leveling devices at appropriate locations for embedding into surrounding concrete. Complete with Class C ductile iron slotted grates (-DGC).

NOTES

White acid resistant coating also available for frame and grate

PART NO.	80" (2032MM) WELDED FRAMES	EACH	PER FOOT
Z726	Frame Strap & Stud Assembly	1,487.00	223.00
Z726-GFA	Galvanized Frame Strap & Stud Assembly	1,860.00	279.00
ZS726-SFA	Stainless Steel Frame Strap & Stud Assembly	5,367.00	805.00

GRATES

To obtain the grate price add any Z874-21 grates

*Regularly furnished unless otherwise specified.

†Indicates grate will be shipped unpainted. For an additional charge, Zurn will paint the grates. Please contact your customer service representative for pricing.

For additional product information, please visit www.zurn.ca

Z885 POLYETHYLENE OIL SEPARATOR



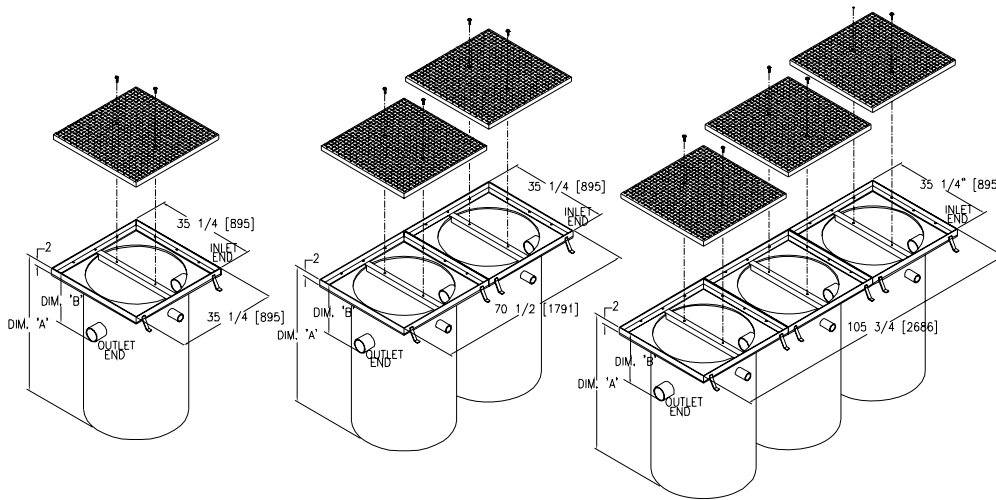
ENGINEERING SPECIFICATION

Zurn Z885 Polyethylene Oil Separator. 1/4" thick polyethylene body complete with heavy-duty Dura-Coated steel frame and 1/4" thick steel diamond plate covers with medium-duty top loading classification. Four-inch diameter No-Hub inlet/outlet with 2" diameter No-Hub vent connections. Dimensions shown nominally for reference. Top of grate to center of outlet distance is 8" unless otherwise specified.

NOTES

White acid resistant coating also available for frame and grate

PREFIX	DESCRIPTION	MODEL NUMBER	CAPACITY GALLONS	DEPTH	LIST PRICE	
Z*	Polyethylene Basin with Medium-Duty Frame and Reinforced Steel Cover	Single Basin				
		Z885-1-30	70	30	11,022.00	
		Z885-1-36	100	36	11,235.00	
		Z885-1-48	130	48	11,731.00	
		Z885-1-60	150	60	11,901.00	
		Double Basin				
		Z885-2-30	140	30	18,672.00	
		Z885-2-36	200	36	19,805.00	
		Z885-2-48	260	48	20,402.00	
		Z885-2-60	300	60	22,301.00	
		Triple Basin				
		Z885-3-30	210	30	26,982.00	
		Z885-3-36	300	36	22,301.00	
		Z885-3-48	390	48	24,309.00	
		Z885-3-60	450	60	37,956.00	



A Depth	B = Invert Dimensions						
	8"	10"	12"	14"	16"	18"	20"
Gallons							
Single Basin Model							
30"	70	65	N/A	N/A	N/A	N/A	N/A
36"	100	93	84	78	72	N/A	N/A
48"	130	124	118	112	106	100	94
60"	150	143	138	132	128	122	116
Double Basin Model							
30"	140	130	N/A	N/A	N/A	N/A	N/A
36"	200	186	168	156	144	N/A	N/A
48"	261	248	236	224	212	200	187
60"	300	286	276	264	256	244	232
Triple Basin Model							
30"	210	195	N/A	N/A	N/A	N/A	N/A
36"	300	279	252	234	216	N/A	N/A
48"	391	373	354	336	318	299	281
60"	450	429	414	396	384	366	348

PERMA-TRENCH®

STAINLESS / SANI-FLO®

SLOT DRAIN / HI-CAP®

ALUMINUM TRENCH

FIBERGLASS

FRAME AND GRATE SYSTEMS

OIL SEPARATORS

ALPHANUMERIC INDEX

GENERAL TERMS AND CONDITIONS	32	Z882 12" WIDE TRENCH DRAIN SYSTEM	4	Z894 24" WIDE TRENCH DRAIN SYSTEM	16
Z706 6" WIDE FRAME AND GRATE SYSTEM	28	Z883 6" WIDE SHALLOW TRENCH DRAIN SYSTEM	10	Z895 12" STAINLESS STEEL TRENCH DRAIN SYSTEM	14
Z712 12" WIDE FRAME AND GRATE SYSTEM	28	Z884 4-3/4" WIDE SHALLOW DRAIN SYSTEM	9	Z897 STAINLESS STEEL CATCH BASIN	19
Z717 17" WIDE FRAME AND GRATE SYSTEM	28	Z885 POLYETHYLENE OIL SEPARATOR	30	Z898 18" WIDE TRENCH DRAIN SYSTEM	15
Z723 23" WIDE FRAME AND GRATE SYSTEM	29	Z886 6" WIDE TRENCH DRAIN SYSTEM	2	Z899 ELEVATOR TRENCH DRAIN SYSTEM	17
Z726 26" WIDE FRAME AND GRATE SYSTEM	29	Z887 CATCH BASIN	11	ZA880-156 EXTRUDED ALUMINUM TRENCH DRAIN SYSTEM	23
Z874-12 TRENCH DRAIN SYSTEM	5	Z888-4 SLOTTED DRAINAGE SYSTEM	21	ZA880-300A EXTRUDED ALUMINUM TRENCH DRAIN SYSTEM (PRICING WITHOUT GRATE)	23
Z874-18 TRENCH DRAIN SYSTEM	6	Z888-6 SLOTTED DRAINAGE SYSTEM	21	ZA880-300B EXTRUDED ALUMINUM TRENCH DRAIN SYSTEM (PRICING WITHOUT GRATE)	23
Z874-21 TRENCH DRAIN SYSTEM	7	Z888-8 SLOTTED DRAINAGE SYSTEM	21	ZA880-340 EXTRUDED ALUMINUM TRENCH DRAIN SYSTEM (PRICING WITHOUT GRATE)	23
Z874-U-XX-HD HEAVY-DUTY UTILITY TRENCH WITH STEEL FRAME AND DUCTILE IRON SOLID COVER	8	Z888-12,-18 HIGH CAPACITY TRENCH DRAIN SYSTEM SLOTTED DRAINAGE SYSTEM	22	ZF806 6" WIDE TRENCH DRAIN SYSTEM	24
Z874-U-XX-LDRA LIGHT-DUTY UTILITY TRENCH WITH ALUMINUM FRAME, CLAMP, AND SOLID COVER	8	Z889-12,-18 HIGH CAPACITY CLEANOUT PORT	22	ZF812 12" WIDE TRENCH DRAIN SYSTEM	26
Z874-U-XX-LDRS LIGHT-DUTY UTILITY TRENCH WITH ALUMINUM FRAME AND CLAMP WITH SOLID STEEL COVER	8	Z890 6" STAINLESS STEEL TRENCH DRAIN SYSTEM	13	ZF817 CATCH BASIN	27
Z880 2-1/2" WIDE TRENCH DRAIN SYSTEM	9	Z891 STAINLESS STEEL SLOTTED DRAINAGE SYSTEM	17	ZS880 STAINLESS STEEL LINEAR SHOWER DRAIN	12
		Z893 STAINLESS STEEL FLOOR RECEPTOR WITH BAR GRATE	18		

NOTES

GENERAL TERMS AND CONDITIONS

PRICE AND TERMS OF PAYMENT

Terms are net, payable 30 days from date of invoice. Zurn Credit must be identified of potential pricing errors within 30 days of invoice date. Shortage claims must be reported within 10 working days of receiving product to your local Zurn Rep or Zurn Customer Care. All pricing in CAD dollars. The Buyer shall pay all sales, consumers, or other applicable taxes. A 1-1/2% monthly (18% annual) service charge will be added to the outstanding balance of all past due invoices.

Minimum invoice \$100.00. Zurn Industries, LLC ("Zurn") reserves the right to apply a minimum order charge in order to meet the \$100.00 minimum invoice requirement. All orders are subject to credit approval by the Zurn Credit Department prior to the acceptance of an order. Orders may be refused, delivery may be withheld, or shipment stopped in transit without any liability on Zurn's part at Zurn's sole discretion based upon Buyer's credit worthiness as determined by Zurn.

FREIGHT

Zurn Canada is pleased to provide an industry-leading \$3,500 combined prepaid freight amount, not including Zurn Green Turtle product sales.

All sales are F.O.B. seller's location. Routing of shipment shall be determined at the sole discretion of Zurn. Shipping dates are estimates and time of delivery shall not be of the essence of this sale contract. Under no circumstances will the Seller have any responsibility on account of any delays in manufacture, transportation, or otherwise.

NOTE: Any product dimension larger than 92" or any single item weighing more than 3,500 lb, shall be defined as an oversized and/or overweight product and Zurn's standard FFA terms may not apply. Please contact our customer service department for guidance on potential additional shipping charges.

These charges and restrictions apply in addition to Zurn standard terms and conditions for sale unless otherwise agreed upon by the parties.

LIMITED WARRANTY

Zurn goods sold hereunder are warranted to be free from defects in material and factory workmanship for the period of time from the date of purchase: AquaVantage® Flush Valves, AquaFlush® Flush Valves, Commercial Fixtures, Faucets, Showers, and Tubular Brass: three years; Chemical Drainage, Trench Drainage, Commercial Drainage, Specification Drainage, Zurn Wilkins, and Flush Valve and Tubular Brass decorative finishes: one year, PHIX® Cartridge ten years. Where permitted by law, **THE IMPLIED WARRANTY OF MERCHANTABILITY IS LIMITED TO THE ABOVE IDENTIFIED PERIOD OF TIME AND SHALL BE LIMITED SOLELY TO THE REPLACEMENT OF THE DEFECTIVE GOODS.** A damaged/broken test cock or ball valve is not considered defective. Please contact Zurn Customer Care for assistance.

Zurn will replace goods at no cost that prove defective provided Zurn is notified in writing of such defect and the goods are returned prepaid at the specified Zurn location with evidence that they have been properly maintained and used in accordance with instructions. **ZURN SHALL NOT BE RESPONSIBLE FOR ANY LABOR CHARGES OR ANY LOSS, INJURY, OR DAMAGES WHATSOEVER, INCLUDING, BUT NOT LIMITED TO, INCIDENTAL OR CONSEQUENTIAL DAMAGES.** The sole and exclusive remedy shall be limited to the replacement of the defective goods. Before installation and use, the purchaser shall determine the suitability of the product for his intended use and the purchaser assumes all risk and liability whatever in the connection therewith. All weights stated in Zurn catalogs and lists are approximate and are not guaranteed.

RETURNED GOODS

Standard cataloged material may be returned only with written permission of Zurn. Returned goods are subject to a 25% restocking charge of total saleable material returned, plus cost of reconditioning, if necessary, to make material sellable. Transportation charges are the responsibility of the Buyer. The value of the return must total at least \$100.00 to qualify for credit allowance. No credit will be allowed for parts unless originally ordered and invoiced as parts. No credit will be allowed for discontinued or made-to-order items. Items that have been specially made are not subject to return or cancellation except by special negotiation. Material must be returned within one year of invoice date for credit to be issued. Commercial Drainage and Specification Drainage galvanized material will be credited at value of Dura-Coated cast iron, and chrome plated at value of bronze. Zurn Wilkins damaged/broken test cocks or ball valves are not considered defective.

ILLUSTRATIONS OF TYPICAL INSTALLATIONS

The typical installations for various products found in each product section are intended to illustrate the products and potential options for the use of these products. Under no circumstances are they to be construed as recommended installation procedures. Consult local codes and project specifications for proper installation instructions.

SHORTAGE/DAMAGE CLAIMS

Notification of material shortages or incorrect filling of orders must be made to Zurn within 10 days of receipt. No claims over three months old will be honored. Buyer agrees to make all complaints for damage in transit or "short count" directly to the carrier; before the contents are unloaded have the carrier agent's acknowledgment of such damage noted on the bill of lading and to present to the carrier its agent's acknowledgment of such damaged material with formal claim covering said damage.

GENERAL

Zurn reserves the right to make changes in design or equipment of any item or product without incurring any obligation on previously sold items, and to discontinue items at any time, without notice. Possession of this Catalog or other sales literature is not to be construed as an offer to sell. All orders are subject to acceptance by Zurn. Catalog printed in U.S.A.

Zurn flush valves are designed to comply with Army Corp of Engineers and Naval guide specifications, Military Specification MIL.V.29193 and Federal Specification WWP541.

Zurn flush valves comply with the following standards: ASME A112.18.1/CSA B125.1, A112.19.5, A112.19.2, A112.19.6, ASSE 1037 and 101 are listed by the following agencies: Canadian Standards, IAPMO/UPC/CUPC, and CSA 125.3. Zurn flush valves are manufactured from dezincification resistant alloys. For additional compliances, contact Zurn Industries, LLC, Commercial Brass Operation, or 1-800-997-3876.

Zurn is not responsible for typographical errors. The contents of this guide are subject to revision without notice.

© 2023 Zurn Industries, LLC Items in this guide may be covered by U.S. and foreign Patents and Patents Pending. Registered Trademarks.

