

ZURN® Carriers Meet Health Care Challenges

Today 127 million adults in the United States are classified as overweight, with over half considered obese. Of obese adults, 9 million are considered extremely obese or bariatric patients. Studies show that obese people require more health care than those who aren't considered overweight. The recent boom in gastric bypass, stomach reduction, and banding operations has also increased the amount of bariatric patients in hospitals.*

To meet the special needs of bariatric care, Zurn has developed closet carriers specifically intended for these increased loading requirements. Our new carriers provide assured performance for bariatric care.

*From *Big Challenge* by James W. Harrell and Bill Miller, www.hospitalconnect.com

Z1203-XH and Z1204-XH Extra Heavy Carrier systems Support up to 750 pounds.

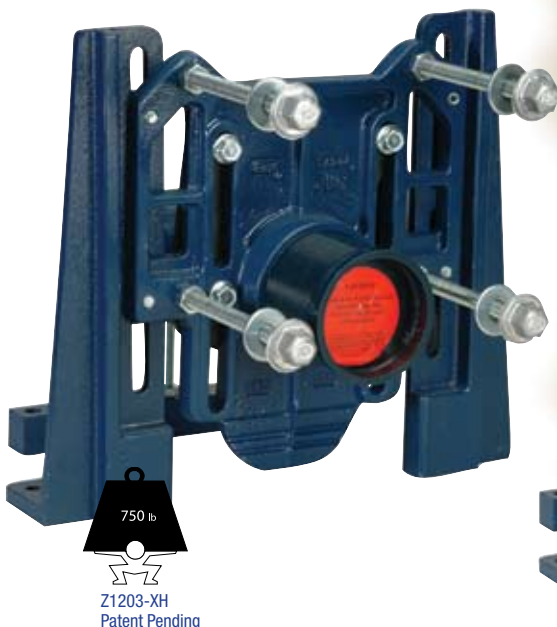
- This system provides paired performance up to 750 pounds behind the wall and 500 pounds at the closet fixture.
 - Maintains additional support and a degree of safety, regardless of the restroom location.
 - The use of a wall hung closet fixture provides a sanitary environment by keeping the toilet fixture off the floor.
 - This system is designed for both new and retro-fit applications and maintains the use of 5/8" studs that are standard for all wall hung fixture installations.
- Specify the Z1203-XH for horizontal Extra Heavy Carrier needs and the Z1204-XH for vertical Extra Heavy Carrier requirements.

Z1203-XB and Z1204-XB Bariatric Carrier systems Support up to 1000 pounds.

- The Bariatric Room Design Advisory Board (BRDAB), created by The Hill-Rom Company, has targeted bariatric room maximum design for 1,000 pounds for chairs, beds, and toilet fixtures.
 - The use of a wall hung closet fixture provides a sanitary environment by keeping the toilet fixture off the floor.
 - The closet carriers are designed for new and retro-fit applications and maintain the use of 5/8" studs that are standard for all wall hung fixture installations.
 - The closet carriers are provided with an integral finishing frame to square up the finished wall, reduce installation time, and provide added support.
- Specify the Z1203-XB for horizontal Bariatric Carrier needs and the Z1204-XB for vertical Bariatric Carrier requirements.



ZURN PLUMBING PRODUCTS GROUP
SPECIFICATION DRAINAGE OPERATION
1801 PITTSBURGH AVENUE · ERIE, PA 16502
PHONE: 814/455-0921 · FAX: 814/454-7929 · www.zurn.com



Z1203-XH
Patent Pending

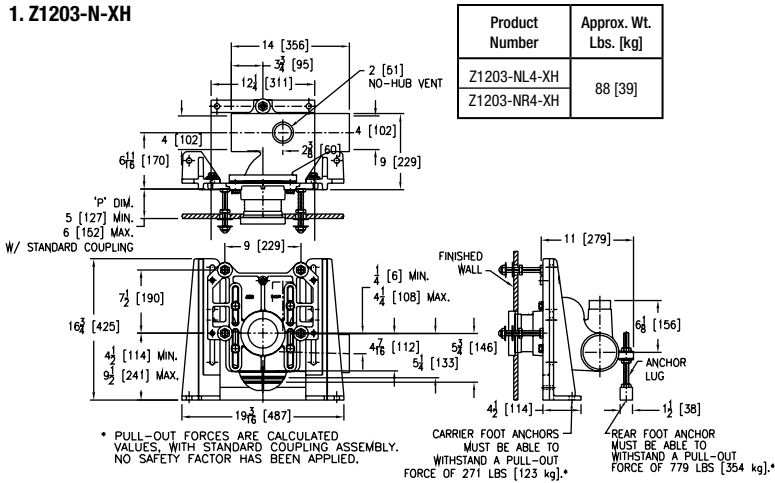


Z1203-XB
Patent Pending

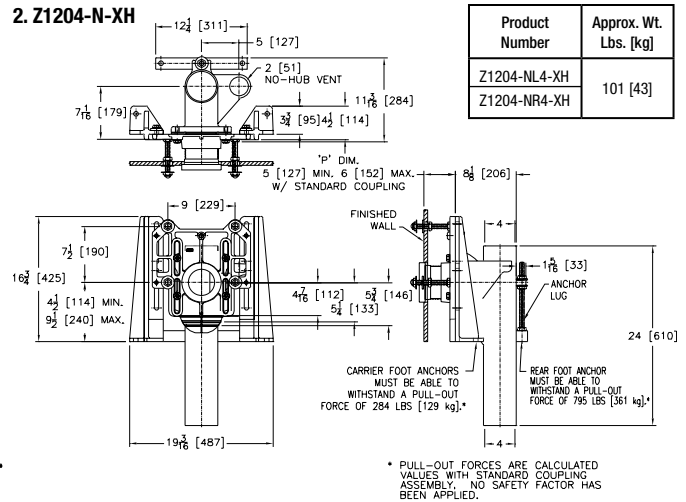


Z1203-N-XH, Z1204-N-XH, Z1203-N-XB, Z1204-N-XB Specification Sheet

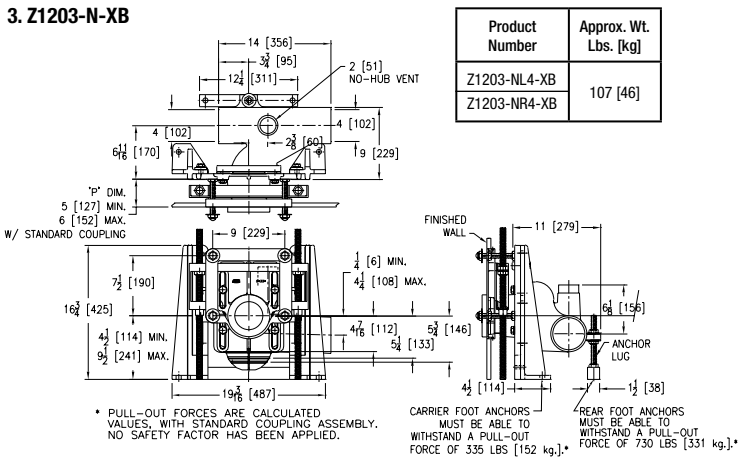
1. Z1203-N-XH



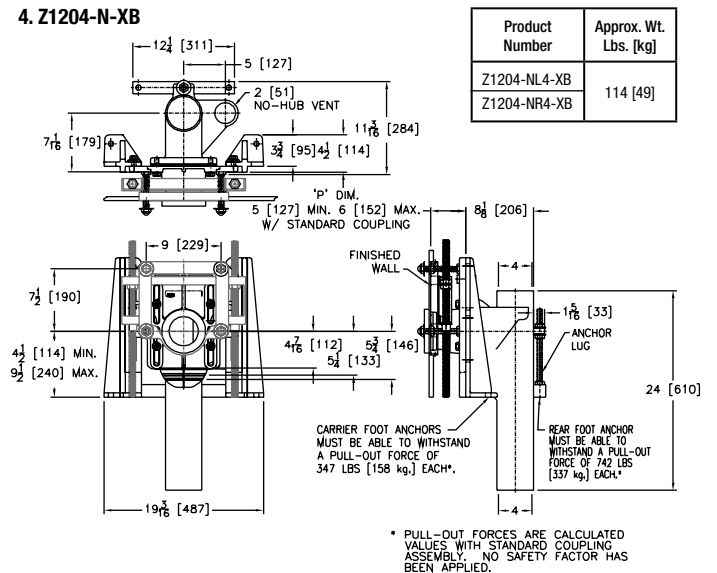
2. Z1204-N-XH



3. Z1203-N-XB



4. Z1204-N-XB



1. ENGINEERING SPECIFICATION: ZURN Z1203-N(-)-XH

Extra-heavy-duty adjustable, horizontal siphon jet water closet "Rigid System" with 4" [102 mm] No-Hub connections, rated for a 750-lb. [340 kg] maximum static load. Complete with Dura-Coated cast iron right-hand or left-hand main fitting, with 2" [51 mm] vent, adjustable gasketed faceplate, floor mounted foot supports, corrosion resistant adjustable ABS coupling with integral test cap, fixture bolts, trim, and stud protectors. Complete with rear anchor tie down and bonded "Neo-Seal" gasket. Carrier complies with all applicable requirements of ASME 112.6.1M up to a 750-lb. [350 kg] load.

3. ENGINEERING SPECIFICATION: ZURN Z1203-N(-)-XB

Adjustable, horizontal siphon jet water closet "Rigid System" with 4" [102 mm] No-Hub connections, rated for a 1000-lb. [454 kg] maximum static load. Complete with Dura-Coated cast iron right-hand or left-hand main fitting, with 2" [51 mm] vent, adjustable gasketed faceplate, floor mounted foot supports, stud support/finishing frame, corrosion resistant adjustable ABS coupling with integral test cap, fixture bolts, trim, and stud protectors. Complete with rear anchor tie down and bonded "Neo-Seal" gasket. Carrier complies with all applicable requirements of ASME A112.6.1M up to 1000-lb. [454 kg] load.

2. ENGINEERING SPECIFICATION: ZURN Z1204-N(-)-XH

Extra-heavy-duty adjustable 750-lb. [340 kg], vertical siphon jet water closet "Rigid System" with 4" [102 mm] No-Hub connections and optional side inlets. Dura-Coated cast iron main fitting, with 2" [51 mm] vent, adjustable gasketed faceplate, floor mounted foot supports, corrosion resistant adjustable ABS coupling with integral test cap, fixture bolts, trim, and stud protectors. Complete with rear anchor tie down and bonded "Neo-Seal" gasket. Carrier complies with all applicable requirements of ASME A112.6.1M up to a 750-lb. [340 kg] load.

4. ENGINEERING SPECIFICATION: ZURN Z1204-N(-)-XB

Adjustable, vertical siphon jet water closet "Rigid System" with 4" [102 mm] No-Hub connections and optional side inlets rated for 1000-lb. [454 kg] maximum static load. Dura-Coated cast iron main fitting with 2" [51 mm] vent, adjustable gasketed faceplate, floor mounted foot supports, stud support/finishing frame, corrosion resistant adjustable ABS coupling with integral test cap, fixture bolts, trim, and stud protectors. Complete with rear anchor tie down and bonded "Neo-Seal" gasket. Carrier complies with all applicable requirements of ASME A112.6.1M up to a 1000-lb. [454 kg] load.