

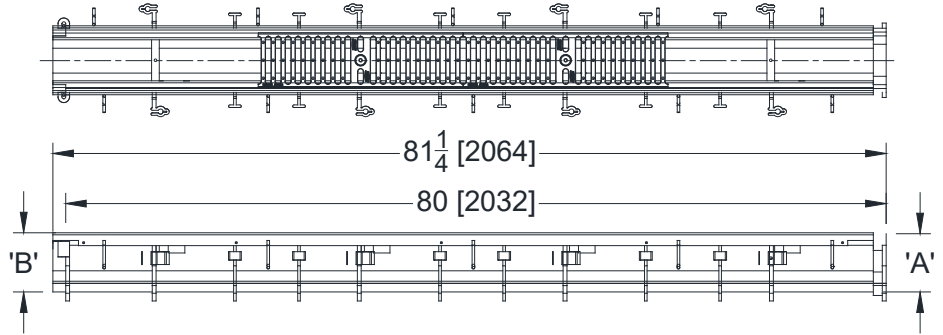
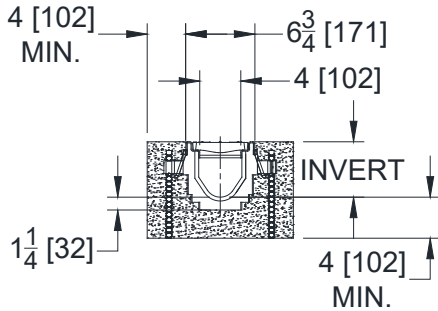


Z886-HD

6-3/4 [171] WIDE REVEAL TRENCH DRAIN SYSTEM WITH HEAVY-DUTY FRAME ASSEMBLY

Design and Dimensional Data (inches and [mm]) are Subject to Manufacturing Tolerances and Change Without Notice

SPECIFYING ENGINEER IS RESPONSIBLE FOR CONCRETE ENCASEMENT AND REINFORCING BASED UPON APPLICATION AND LOCAL CODES



NOTE: + Actual Channel length is 81 1/4 [2064] to allow for overlap.

ENGINEERING SPECIFICATION: ZURN Z886-HD Channels are 80" [2032 mm] long, 6-3/4" [171 mm] wide reveal and have a 4" [102 mm] throat. Modular channel sections are made of 0% water absorbent High Density Polyethylene (HDPE). Channels have a positive mechanical connection between channel sections that will not separate during the installation and mechanically lock into the concrete surround every 10" [254 mm]. Channels weigh less than 2.31 lbs/ft [3.4 kg/m], have a smooth, 1-1/2" [38 mm] radiused self cleaning bottom with a Manning's coefficient of .009 and .75% or neutral 0% built in slope. Channels have rebar clips standard to secure trench in its final location. Channels provided with standard DGC grates that lock down to frame. Zurn 5-3/8" [137 mm] wide reveal Ductile Iron Slotted Grate conforming to ASTM specification A536-84, Grade 80-55-06. Ductile Iron grate is rated class C per the DIN EN1433 top load classifications. Supplied in 20" [508 mm] nominal lengths with 1/2" [13 mm] wide slots, and 3/4" [19 mm] bearing depth. Grate has an open area of 28.1 in²/ft. [594 cm²/m]. The .105" [2.67 mm] thick Heavy-Duty Carbon Steel Frame Assembly conforms to ASTM specification A36 with 10 - 4" [102 mm] long concrete anchors per 80" [2032 mm]. Grate lockdown bars are to be integral to the frame. Frame supplied with powder coated finish. All welds must be performed by a certified welder per ASTM standard AWS D1.1. Frames produced in the U.S.A.

PREFIX OPTIONS (Check/specify appropriate options)

___ Z Six-foot, Eight-inch High Density Polyethylene (HDPE)*

SUFFIX OPTIONS (Check/specify appropriate options)

Outlet Adapters Add/Each

- ___ -E1 Closed End Cap
- ___ -E2 2 [51] No-Hub End Outlet
- ___ -E3 3 [76] No-Hub End Outlet
- ___ -E4 4 [102] No Hub End Outlet
- ___ -E6 6 [152] No-Hub End Outlet
- ___ -U2 6 [152] No-Hub End Outlet
- ___ -U3 6 [152] No-Hub End Outlet
- ___ -U4 6 [152] No-Hub End Outlet
- ___ -U6 6 [152] No-Hub End Outlet

* Regularly furnished unless otherwise specified.

Miscellaneous Options

- ___ -BL High Density Polyethylene (HDPE) System with 3% Carbon Black Additive
- ___ -JC Joint Connector
- ___ -VP Vandal-Proof Lockdown

USA Miscellaneous Options

- ___ -DB Bottom Dome Strainer
- ___ -SW Sidewall Extension - 9 [229] High
- ___ -SW2 Sidewall Extension - 18 [457] High

Trench No.	'A' Shallow Inv.	'B' Deep Inv.	Flow Open Area in2 [cm2]	Flow		
				(cfs)	(gpm)	(lps)
8601	3.50 [89]	4.10 [104]	11 [71.3]	0.21	93	6
8602	4.10 [104]	4.70 [119]	13.4 [86.8]	0.27	122	8
8603	4.70 [119]	5.30 [135]	15.8 [102.2]	0.34	152	10
8603N	5.30 [135]	5.30 [135]	15.8 [102.2]	-	-	-
8604	5.30 [135]	5.90 [150]	18.2 [117.7]	0.41	183	12
8605	5.90 [150]	6.50 [165]	20.6 [133.2]	0.48	214	13
8606	6.50 [165]	7.10 [180]	23 [148.7]	0.55	245	15
8606N	7.10 [180]	7.10 [180]	23 [148.7]	-	-	-
8607	7.10 [180]	7.70 [196]	25.4 [164.2]	0.62	276	17
8608	7.70 [196]	8.30 [211]	27.8 [179.7]	0.69	308	19
8609	8.30 [211]	8.90 [226]	30.2 [195.2]	0.76	339	21
8610	8.90 [226]	9.50 [241]	32.6 [210.6]	0.83	371	23
8611	9.50 [241]	10.10 [257]	35 [226.1]	0.90	403	25
8612	10.10 [257]	10.70 [272]	37.4 [241.6]	0.97	435	27
8612N	10.70 [272]	10.70 [272]	37.4 [241.6]	-	-	-
8613	10.70 [272]	11.30 [287]	39.8 [257.1]	1.04	467	29
8614	11.30 [287]	11.90 [302]	42.2 [272.6]	1.11	498	31
8615	11.90 [302]	12.50 [318]	44.6 [288.1]	1.18	530	33

WARNING: Cancer and Reproductive Harm - www.P65Warnings.ca.gov

ADVERTENCIA: Cáncer y daño reproductivo - www.P65Warnings.ca.gov

AVERTISSEMENT: Cancer et effets néfastes sur la reproduction - www.P65Warnings.ca.gov

Frame and Grate Options on Page 2



Z886-HD

6-3/4 [171] WIDE REVEAL TRENCH DRAIN SYSTEM WITH HEAVY-DUTY FRAME ASSEMBLY

Design and Dimensional Data (inches and [mm]) are Subject to Manufacturing Tolerances and Change Without Notice

Frame Options

- ___ -CBF Black Acid Resistant Coated Top Frame
- ___ -LD Light Duty Grates on Heavy Duty Frame

Grate Options (Load Classifications are per DIN EN1433)

- ___ -BDC Black Acid Resistant Epoxy Coated Ductile Grate - Class C
- ___ -BDE Black Acid Resistant Epoxy Coated Ductile Grate - Class E
- ___ -BG Galvanized Ductile Iron Bar Grate - Class C
- ___ -DBG Ductile Iron Cast Bar Grate - Class C
- ___ -DC Ductile Iron Solid Cover - Class C
- ___ -DGC Ductile Iron Slotted Grate - Class C*
- ___ -DGE Ductile Iron Slotted Grate - Class E
- ___ -GDC Galvanized Ductile Slotted Grate - Class C
- ___ -GDE Galvanized Ductile Slotted Grate - Class E
- ___ -GHPDE Galvanized Heel-Proof Ductile Grate - Class E
- ___ -HPDE Heel-Proof Ductile Grate - Class E
- ___ -RFGC Reinforced Slotted Galvanized Grate - Class C
- ___ -RFSC Reinforced Slotted Stainless Steel Grate - Class C
- ___ -RPGC Reinforced Perforated Galvanized Grate - Class C
- ___ -RPGRC Reinforced Galvanized Perforated Reverse Punch Anti-Slip Grate - Class C
- ___ -RPSC Reinforced Perforated Stainless Steel Grate - Class C
- ___ -RPSRC Reinforced Perforated Stainless Steel Reverse Punch Grate - Class C

Decorative Grate Options (Load Classifications are per DIN EN1433)

- ___ -DTW Ductile Iron Tidal Wave Grate - Class C
- ___ -SBG Stainless Steel Bar Grate - Class E

MADE in the U.S.A. (Load Classifications are per DIN EN 1433)

- ___ -BDE-USA Black Acid Resistant Epoxy Coated Ductile Grate - Class E
- ___ -DGC-USA Ductile Iron Slotted Grate-Class C
- ___ -DGE-USA Ductile Iron Slotted Grate-Class E
- ___ -GDC-USA Galvanized Ductile Slotted Grate - Class C
- ___ -GDE-USA Galvanized Ductile Slotted Grate - Class E
- ___ -GHPDE-USA Galvanized Heel-Proof Ductile Grate - Class C
- ___ -HPDE-USA Heel-Proof Ductile Slotted Grate - Class E

* Regularly furnished unless otherwise specified.

⚠ WARNING: Cancer and Reproductive Harm - www.P65Warnings.ca.gov

⚠ ADVERTENCIA: Cáncer y daño reproductivo - www.P65Warnings.ca.gov

⚠ AVERTISSEMENT: Cancer et effets néfastes sur la reproduction - www.P65Warnings.ca.gov