



# Z5538-K

TAG \_\_\_\_\_

1.6 gpf Elongated, STD Height, Siphon Jet  
Two-Piece Toilet



## Z5538-K Series

- 1.6 gpf (gallons per flush)
- Vitreous china
- Elongated front rim
- 2-1/8" fully glazed trapway
- Siphon jet action elongated bowl
- Large water surface
- Chrome plated metal handle
- Includes bolt caps
- Water Surface 9" x 11"
- Shipping weight: 83 lbs.
- Maximum performance (Map) score of 1000g

### Z5538-K Series

#### Suffix Options:

- IN** Insulated tank
- RH** Vitreous China right-hand lever tank
- VL** Vitreous China lid with vandal-proof lockdown

#### Engineering Specification:

- Z5538-K** Vitreous china, 1.6 gpf [6 Lpf] low consumption, elongated, siphon jet action, floor mounted toilet with 12" rough-in.

#### Recommended Trim:

- Z5958SS-EL**  
Elongated, white, closed front toilet seat with cover & stainless steel check hinge.
- Z5972-COMB**  
Closet bolt/wax ring kit.
- Z8800-CR**  
Standard stop with flexible closet riser.

#### Optional Trim

- Z5975-FLO-JR**  
PVC Flo-Bowl Jr. closet flange kit

Note: Call for availability of multiple suffix options.

See Zurn One Systems for suggested packages.

|   |
|---|
| <b>Architectural/Engineering Approval</b> |
|---|

Fixture dimensions meet ANSI/ASME standard A112.19.2 and CAN/CSA B45 requirements.

In Canada - Consult local codes and standards.

The information contained in this document is subject to change without notice.  
Please contact Zurn for most up to date information.





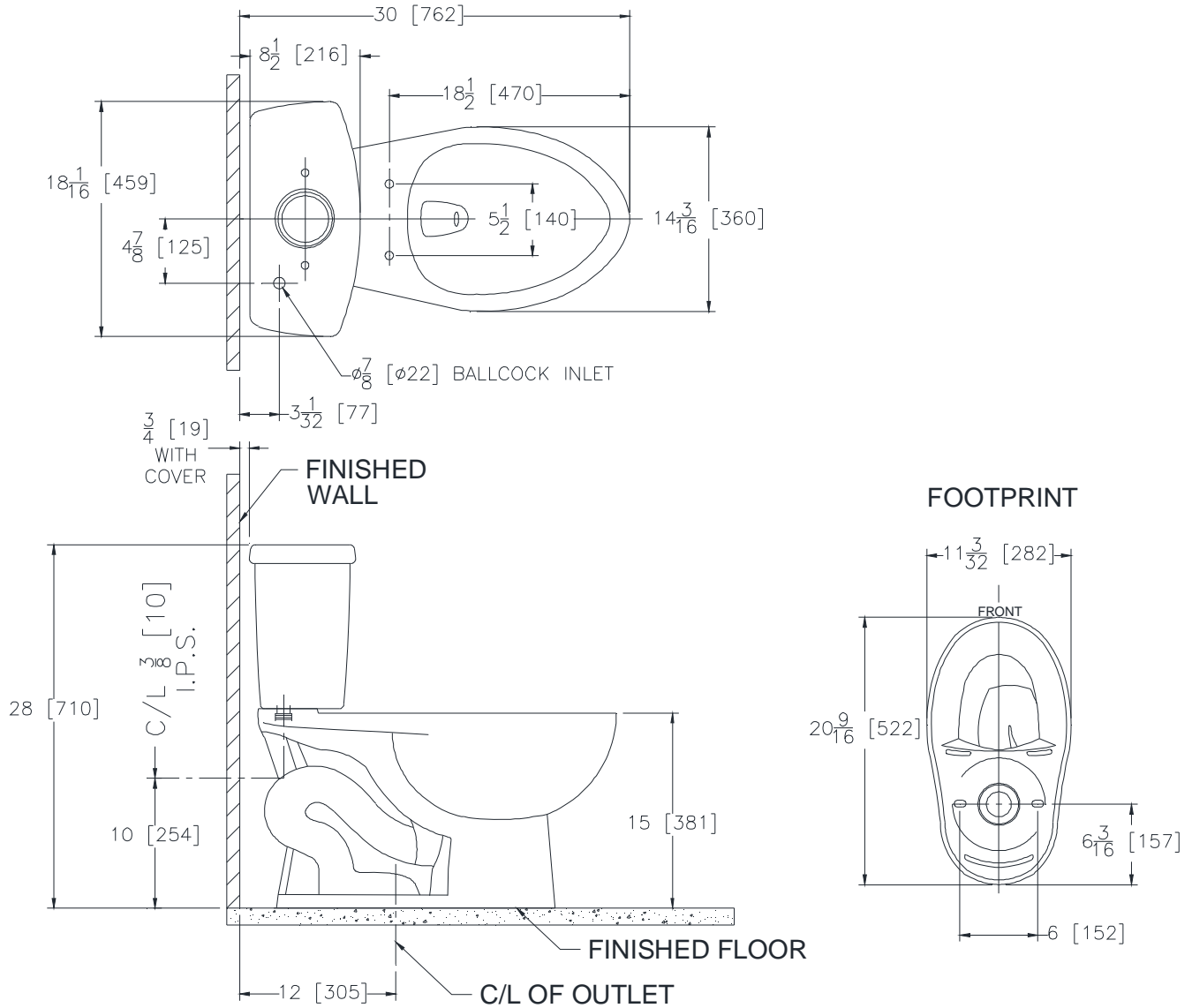
# Z5538-K

TAG \_\_\_\_\_

1.6 gpf Elongated, STD Height, Siphon Jet  
Two-Piece Toilet

## Rough-in Dimensions for Z5538-K Series

- Z5538-K elongated toilet with 12" rough-in



Fixture dimensions meet ANSI/ASME standard A112.19.2 and CAN/CSA B45 requirements.

In Canada - Consult local codes and standards.

