



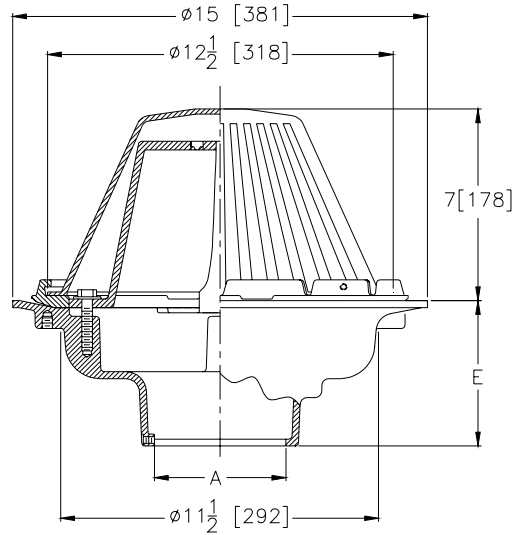
Z-105 CONTROL-FLOOR ROOF DRAIN w/ Parabolic Weir

SPECIFICATION SHEET

TAG _____



Dimensional Data (inches and [mm]) are Subject to Manufacturing Tolerances and Change Without Notice



A Pipe Size Inches / [mm]	Approx. Wt. Lbs. / [kg]	Dome Open Area Sq. In. / [sq cm]
2 - 3 - 4 [51 - 76 - 102]	34 [15]	148 [955]

ENGINEERING SPECIFICATION: ZURN Z-105 "Control-Flo" roof drain for dead-level roof construction, Dura-Coated cast iron body. "Control-Flo" weir shall be linear functioning with integral membrane flashing clamp/gravel guard and Poly-Dome. All data shall be verified proportional to flow rates.

OPTIONS (Check/specify appropriate options)

PIPE SIZE

- 2,3,4 [50,75,100]
- 2,3,4 [50,75,100]
- 2,3,4 [50,75,100]
- 2,3,4 [50,75,100]

(Specify size/type) **OUTLET**

- _____ IC Inside Caulk
- _____ IP Threaded
- _____ NH No-Hub
- _____ NL Neo-Loc

E BODY HT. DIM.

- 5 1/4 [133]
- 3 3/4 [95]
- 5 1/4 [133]
- 4 5/8 [117]

PREFIXES

- _____ Z- D.C.C.I. Body with Poly-Dome*
- _____ ZA- D.C.C.I. Body with Aluminum Dome

SUFFIXES

- | | |
|--|---|
| <ul style="list-style-type: none"> _____ -A Waterproof Flange _____ -AR Acid Resistant Epoxy Coated Finish _____ -C Underdeck Clamp _____ -DP Top Set® Roof Deck Plate (Replaces both the -C and -R) _____ -DR Adjustable Drain Riser Extension Assembly
3-5/8" [92] to 7-1/4" [184] _____ -E Static Extension 1 [25] thru 4 [102] (Specify Ht.) _____ -EA Adjustable Extension Assembly
1 3/4 [44] thru 3 1/2 [89] | <ul style="list-style-type: none"> _____ -EB Elevating Body Plate _____ -G Galvanized Cast Iron _____ -R Roof Sump Receiver _____ -VP Vandal Proof Secured Top _____ -90 90° Threaded Side Outlet Body |
|--|---|

REV. A	DATE: 09/14/05	C.N. NO. 89837
DWG. NO. 63601		PRODUCT NO. Z-105

*REGULARLY FURNISHED UNLESS OTHERWISE SPECIFIED