

ARCHITECTURAL & ENGINEERING SPECIFICATION

Prefabricated stainless steel shower unit consisting of the TEMP-GARD pressure balancing shower valve with single bronze stem, stainless steel balancing piston & bottom access integral service stops. Standard with 1/2" [13mm] copper tubing assembly enclosed by 18 gage stainless steel #4 brushed finish shroud, -i5 chrome plated brass shower head with 2.5 GPM [9.5LPM] flow control and adjustable spray pattern on institutional bracket, metal stem handle, side mount soap dish & all vandal proof securing screws.

PRODUCT FEATURES

- Pressure balancing shower valve with single bronze stem
- i5 chrome plated brass shower head
- 18 Gage Stainless Steel shroud

COMPLIANCE AND CERTIFICATION:

- Shower head, valve and plumbing fittings- Complies with ASME A112.18.1 / CSA B125.1
- Valve - Complies with ASSE 1016-2005
- ADA Compliant



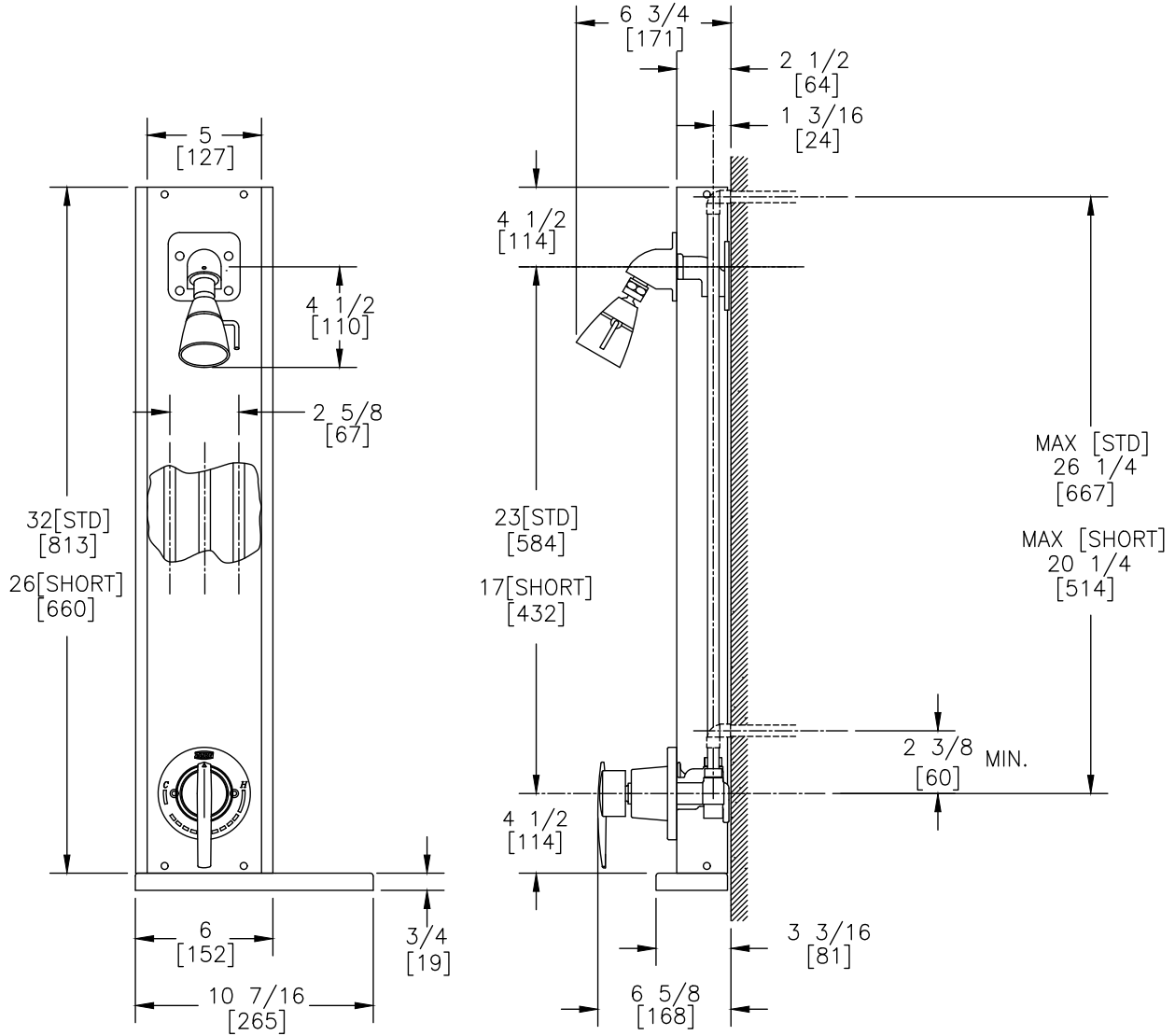
SUFFIX OPTIONS

- i2 Fixed Spray Institutional Shower Head (2.5 GPM)
- i9 Fixed Spray Institutional Shower Head (1.5 GPM)
- 1.25 1.25 GPM Shower Head Flow Control
- 1.5 1.5 GPM Shower Head Flow Control
- 1.75 1.75 GPM Shower Head Flow Control
- 2.0 2.0 GPM Shower Head Flow Control
- LS Less Soap Dish
- SL Short Length Shroud 26" (660mm)
- TC Matching Shroud Extension to Cover Thru Ceiling Piping (Specify extension height)
- TH Matching Shroud Cover For Concealed Horizontal Piping (Application drawings available for custom installations)

ARCHITECTURAL & ENGINEERING APPROVAL

The information contained in this document is subject to change without notice. Please contact Zurn for most up to date information.

Rough-in/Overview dimensions



NOTE: All dimensions are for reference only. Do not use for pre-plumbing.