



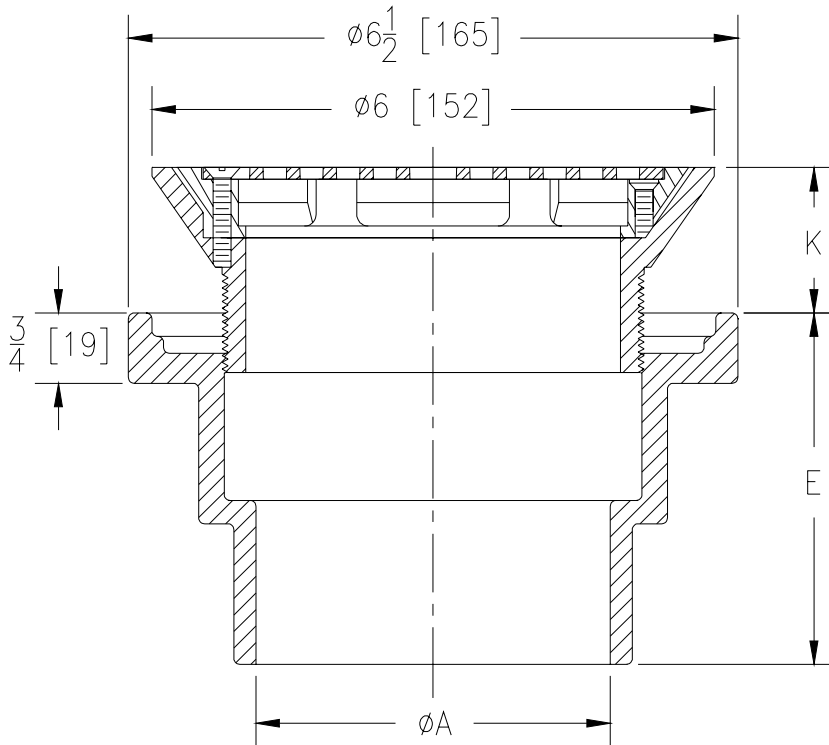
**ZN-211-R6
FLOOR DRAIN BODY W/ "TYPE R" STRAINER
WITH SURFACE CLAMP RING AND GRATE**

SPECIFICATION SHEET

TAG _____



Dimensional Data (inches and [mm]) are Subject to Manufacturing Tolerances and Change Without Notice



A Pipe Size Inches / [mm]	Body Height Inches / [mm]	K		Approx. Wt. Lbs. / [kg]	Strainer Open Area Sq. In. / Sq. cm
		Min.	Max.		
2 - 3 - 4 [51 - 76 - 102]	3-3/4 [95]	3/4 [19]	1-1/2 [38]	4 [2]	8 [52]

ENGINEERING SPECIFICATION: ZURN ZN-211-R6 Floor and Shower Drain, Dura-Coated cast iron body with bottom outlet, "Type R" polished nickel bronze, round adjustable strainer with surface clamp ring and grate.

OPTIONS (Check/specify appropriate options)

PIPE SIZE

2 - 3 - 4 [51 - 76 - 102]

(Specify size/type) **OUTLET**

_____ NH No-Hub

E BODY HT. DIM.

3 3/4 [95]

SUFFIXES

- _____ -G Galvanized Cast Iron
- _____ -P 1/2 [13] Trap Primer Connection
- _____ -VP Vandal-Proof Secured Top
- _____ -Y Sediment Bucket
- _____ -210 8 [203] Wide Flange Body

REV.	DATE: 10/25/04	C.N. NO. 92678
DWG. NO. 82113	PRODUCT NO. ZN-211-R6	

*REGULARLY FURNISHED UNLESS OTHERWISE SPECIFIED