

ARCHITECTURAL & ENGINEERING SPECIFICATION

Zurn EZ Flush® Retrofit Kits are reliable and easily installed sensor retrofit kits for converting manual flush valves to hands-free operation. Ideal for commercial applications where converting to hands-free flush operation is desired. Installation is completed by simply removing the existing handle and installing the side mounted sensor retrofit kit. Unit is sensor-operated with four, C-size batteries (included) and features a true mechanical manual override button that delivers on-demand flushing.

PRODUCT FEATURES

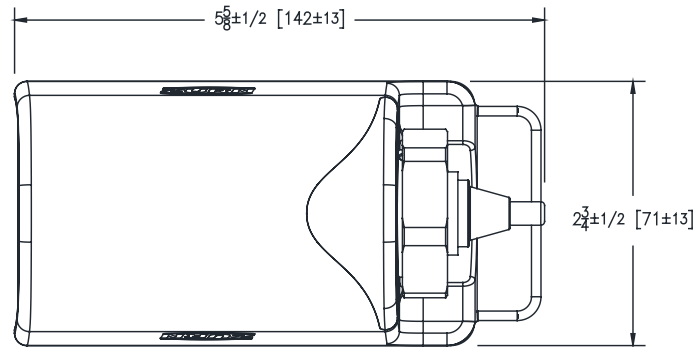
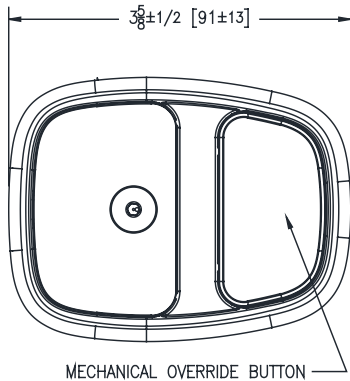
- Infrared Sensor
- Chrome Plated Metal Cover
- User in-view L.E.D
- Low battery indicator light
- Optional 24 hour auto-flush setting
- 3 second delay flush
- True Mechanical Override Button
- 6 VDC Motor Actuator
- 4 “C” size batteries (Included)
- Included tools
 - Wrench for installation
 - Hex wrench for battery compartment

COMPLIANCE AND CERTIFICATION:

- ADA Compliant



Rough in Dimensions/ Overview Dimensions:



ARCHITECTURAL & ENGINEERING APPROVAL

The information contained in this document is subject to change without notice. Please contact Zurn for most up to date information.