



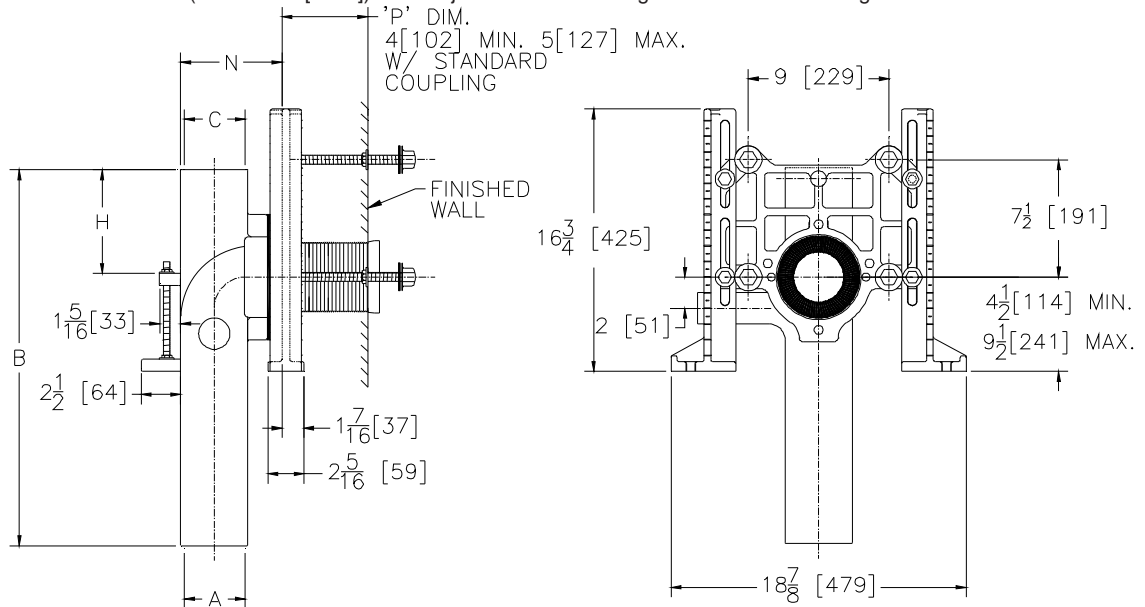
Z1208-N

NO-HUB VERTICAL SIPHON JET WATER CLOSET SUPPORT SYSTEM

SPECIFICATION SHEET

TAG _____

Dimensional Data (inches and [mm]) are Subject to Manufacturing Tolerances and Change Without Notice



Note:

1. Min. 'P' Dim. Obtainable=2 [51]
2. Feet bolted to floor using min. 1/2 [13] dia. bolts and back slots on carrier feet.
3. Back anchor foot required for secure installation.

Product No.	Dimension in Inches [mm]					Approx. Wt. Lbs. [kg]
	A	B	C	H	N	
Z1208-N32	3 [76]	18 [457]	2 [51]	4-3/8 [111]	6-1/4 [159]	60 [27]
Z1208-N42	4 [102]	24 [610]	2 [51]	4-7/8 [124]	6-5/8 [168]	70 [32]
Z1208-N44	4 [102]	24 [610]	4 [102]	6-1/2 [165]	6-5/8 [168]	72 [33]

ENGINEERING SPECIFICATION: ZURN Z1208-N () Vertical Siphon Jet Water Closet "Rigid System" with () size No-Hub connections. Complete with Dura-Coated cast iron main fitting, separable faceplate rigidly mounted on fitting, universal floor mounted foot supports, corrosion resistant adjustable polymer coupling with integral test cap, fixture bolts, trim, and stud protectors. Rear anchor tie down, and bonded "Neo-Seal" gasket.

PRODUCT/DEFINITION

- _____ Z1208-N32 3 [76] No-Hub, 2 [51] No-Hub Vent
- _____ Z1208-N42 4 [102] No-Hub, 2 [51] No-Hub Vent
- _____ Z1208-N44 4 [102] No-Hub, 4 [102] No-Hub Vent

PREFIXES

- _____ Z D.C.C.I. System with Zurn "ZZ" Adjustable Coupling *

SUFFIXES

- _____ -A Auxiliary Support Assembly (For P-Dim. greater than 18 [457])
- _____ -B Blowout Type Fixture Support
- _____ -CC Corrosion Resistant Cast Iron Coupling (6 [152] To 12 [305])
- _____ -CL Coupling Length Greater than 12 [305] (Specify length Required)
- _____ -F Floor Mount, Back Outlet Fixture Support
- _____ -JJ Two 2 [51] Auxiliary Inlets
- _____ -JL 2 [51] Left Hand Auxiliary Inlet
- _____ -JR 2 [51] Right Hand Auxiliary Inlet
- _____ -M Auxiliary Foot Support (For P-Dim. 10 [254] to 18 [457])
- _____ -VP Vandal Proof Trim
- _____ -X3 3 [76] Foot Extension Assembly
- _____ -X4 4 [102] Foot Extension Assembly
- _____ -45 Finishing Frame for Siphon Jet System (For Blowout System specify -45-B)
- _____ -50 Flush Valve Supply Support for W.C.

* Regularly furnished unless otherwise specified.