

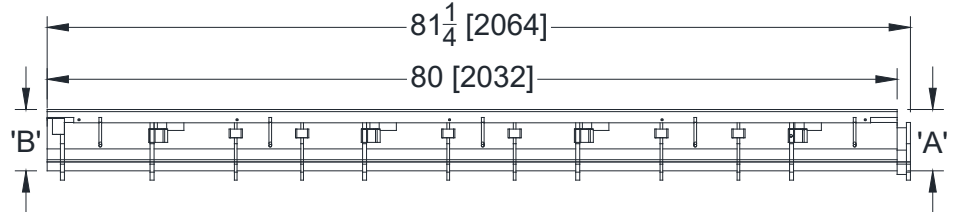
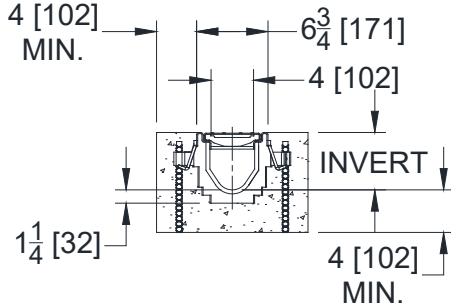
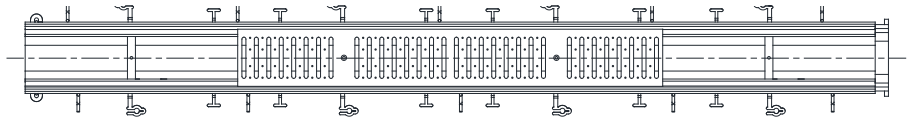


# Z886-HDS-LD

## 6-3/4 [171] WIDE REVEAL TRENCH DRAIN SYSTEM W/ STAINLESS STEEL HEAVY-DUTY FRAME ASSEMBLY AND LIGHT-DUTY GRATES

Design and Dimensional Data (inches and [ mm ]) are Subject to Manufacturing Tolerances and Change Without Notice

SPECIFYING ENGINEER IS RESPONSIBLE FOR CONCRETE ENCASEMENT AND REINFORCING BASED UPON APPLICATION AND LOCAL CODES



NOTE: + Actual Channel length is 81 1/4 [2064] to allow for overlap.

**ENGINEERING SPECIFICATION:** ZURN Z886-HDS-LD Channels shall be 80" [2032mm] long, 6-3/4" [171mm] wide reveal and have a 4" [102mm] throat. Modular channel sections shall be made of 0% water absorbent High Density Polyethylene (HDPE). Channel have a positive mechanical connection between channel sections that will not separate during the installation and mechanically lock into the concrete surround every 10" [254mm]. Channels shall weigh less than 2.31 lbs/ft [3.4 kg/m], have a smooth, 1-1/2" [38mm] radiused self cleaning bottom with a Manning's coefficient of 0.009 and 0.75% or neutral 0% built in slope. Channels have rebar clips standard to secure trench in its final location. Channels provided with standard RFSC grates that lock down to frame. Zurn 5-3/8" [137mm] wide Reinforced stainless steel cast iron Grate reinforcing conforming to ASTM specification A351, Grade CF8 (type 304), Fabricated grate is rated class C per the DIN EN1433 top load classifications. ANSI Rating Heavy-Duty H20 Load Rating Supplied in 20" [508mm] nominal lengths with 1/2" [13mm] wide slots, and 3/4" [19mm] bearing depth. Grate has an open area of 27.7 in<sup>2</sup>/ft [586 cm<sup>2</sup>/m]. The 0.105" [2.66mm] thick Heavy-Duty stainless Steel Frame Assembly conforms to ASTM specification A-240 (type 304) with 10 - 4" [102mm] long concrete anchors per 80" [2032mm]. Grate lockdown bars are to be integral to the frame. All welds must be performed by a certified welder per ASTM standard AWS D1.6. Frames produced in the U.S.A

**PREFIX OPTIONS** (Check/specify appropriate options)

\_\_\_ Z Six-foot, Eight-inch High Density Polyethylene (HDPE)\*

**SUFFIX OPTIONS** (Check/specify appropriate options)

**Outlet Adapters Add/Each**

- \_\_\_ -E1 Closed End Cap
- \_\_\_ -E2 2 [51] No-Hub End Outlet
- \_\_\_ -E3 3 [76] No-Hub End Outlet
- \_\_\_ -E4 4 [102] No Hub End Outlet
- \_\_\_ -E6 6 [152] No-Hub End Outlet
- \_\_\_ -U2 6 [152] No-Hub End Outlet
- \_\_\_ -U3 6 [152] No-Hub End Outlet
- \_\_\_ -U4 6 [152] No-Hub End Outlet
- \_\_\_ -U6 6 [152] No-Hub End Outlet

**Miscellaneous Options**

- \_\_\_ -VP Vandal-Proof Lockdown
- \_\_\_ -JC Joint Connector
- \_\_\_ -BL High Density Polyethylene (HDPE) System with 3% Carbon Black Additive

**USA Miscellaneous Options**

- \_\_\_ -DB Bottom Dome Strainer
- \_\_\_ -SW Sidewall Extension - 9 [229] High
- \_\_\_ -SW2 Sidewall Extension - 18 [457] High

\* Regularly furnished unless otherwise specified.

Trench No.	'A' Shallow Inv.	'B' Deep Inv.	Flow Open Area in <sup>2</sup> [cm <sup>2</sup> ]	Flow		
				(cfs)	(gpm)	(lps)
8601	3.50 [89]	4.10 [104]	11 [71.3]	0.21	93	6
8602	4.10 [104]	4.70 [119]	13.4 [86.8]	0.27	122	8
8603	4.70 [119]	5.30 [135]	15.8 [102.2]	0.34	152	10
8603N	5.30 [135]	5.30 [135]	15.8 [102.2]	-	-	-
8604	5.30 [135]	5.90 [150]	18.2 [117.7]	0.41	183	12
8605	5.90 [150]	6.50 [165]	20.6 [133.2]	0.48	214	13
8606	6.50 [165]	7.10 [180]	23 [148.7]	0.55	245	15
8606N	7.10 [180]	7.10 [180]	23 [148.7]	-	-	-
8607	7.10 [180]	7.70 [196]	25.4 [164.2]	0.62	276	17
8608	7.70 [196]	8.30 [211]	27.8 [179.7]	0.69	308	19
8609	8.30 [211]	8.90 [226]	30.2 [195.2]	0.76	339	21
8610	8.90 [226]	9.50 [241]	32.6 [210.6]	0.83	371	23
8611	9.50 [241]	10.10 [257]	35 [226.1]	0.90	403	25
8612	10.10 [257]	10.70 [272]	37.4 [241.6]	0.97	435	27
8612N	10.70 [272]	10.70 [272]	37.4 [241.6]	-	-	-
8613	10.70 [272]	11.30 [287]	39.8 [257.1]	1.04	467	29
8614	11.30 [287]	11.90 [302]	42.2 [272.6]	1.11	498	31
8615	11.90 [302]	12.50 [318]	44.6 [288.1]	1.18	530	33

Frame and Grate Options on Page 2

**⚠ WARNING:** Cancer and Reproductive Harm - [www.P65Warnings.ca.gov](http://www.P65Warnings.ca.gov)

**⚠ ADVERTENCIA:** Cáncer y daño reproductivo - [www.P65Warnings.ca.gov](http://www.P65Warnings.ca.gov)

**⚠ AVERTISSEMENT:** Cancer et effets néfastes sur la reproduction - [www.P65Warnings.ca.gov](http://www.P65Warnings.ca.gov)



# Z886-HDS-LD

6-3/4 [171] WIDE REVEAL TRENCH DRAIN SYSTEM W/  
STAINLESS STEEL HEAVY-DUTY FRAME ASSEMBLY AND  
LIGHT-DUTY GRATES

SPECIFICATION SHEET

TAG \_\_\_\_\_

Design and Dimensional Data (inches and [ mm ]) are Subject to Manufacturing Tolerances and Change Without Notice

**Grate Options** (Load Classifications are per DIN EN1433)

- \_\_\_ -GG      Fiberglass Grate - Class A
- \_\_\_ -HPD     Heel-Proof Ductile Slotted Grate - Class B
- \_\_\_ -HPP     Heel-Proof Polyethylene Grate - Class A
- \_\_\_ -RFSC    Reinforced Slotted Stainless Steel Grate - Class C\*
- \_\_\_ -RPSC    Reinforced Perforated Stainless Steel Grate - Class C
- \_\_\_ -RPSRC   Reinforced Perforated Stainless Steel Reverse Punch Grate - Class C

**MADE in the U.S.A.** (Load Classifications are per DIN EN 1433)

- \_\_\_ -AWG     Aluminum Wire Grate - Class A
- \_\_\_ -FS      Fabricated Stainless Steel Slotted Grate - Class A
- \_\_\_ -GG      Fiberglass Grae - Class A
- \_\_\_ -PG      Perforated Galvanized Steel Grate - Class A
- \_\_\_ -PS      Perforated Stainless Steel Grate - Class A
- \_\_\_ -SWGB-AS Slip Resistant Stainless Steel Wire Grate - Class B
- \_\_\_ -SWG-B   Stainless Steel Wire Grate - Class B

**Decorative Grate Options** (Load Classifications are per DIN EN1433)

- \_\_\_ -BCD     Bronze Circular Decorative Grate - Class A
- \_\_\_ -BDD     Bronze Diagonal Decorative Grate - Class A
- \_\_\_ -DCD     Ductile Iron Circular Decorative Grate - Class C
- \_\_\_ -DDD     Ductile Iron Diagonal Decorative Grate - Class A
- \_\_\_ -DOG     Ductile Iron Decorative Grate - Class A
- \_\_\_ -DMV     Ductile Wave Descorative Grate - Class A
- \_\_\_ -GWG     Galvanized Steel Mesh Grate - Class A
- \_\_\_ -HPB     Heel-Proof Bronze Slotted Grate - Class A
- \_\_\_ -HPS     Heel-Proof Stainless Steel Slotted Grate - Class A
- \_\_\_ -SCD     Stainless Steel Circular Decorative Grate - Class B
- \_\_\_ -SDD     Stainless Steel Diagonal Decorative Grate - Class B
- \_\_\_ -SMG     Stainless Steel Steel Mesh Grate - Class A
- \_\_\_ -SOG     Stainless Steel Decorative Grate - Class B

**Decorative MADE in the U.S.A.** (Load Classifications are per DIN EN1433)

- \_\_\_ -BZ      Bronze Decorative Grate - Class A
- \_\_\_ -NBZ-USA Nickel Bronze Decorative Grate - Class A
- \_\_\_ -PSR     Perforated Stainless Steel Raised Grate - Class A
- \_\_\_ -SWG     Stainless Steel Wire Grate - Class A

\* Regularly furnished unless otherwise specified.

**⚠ WARNING:** Cancer and Reproductive Harm - [www.P65Warnings.ca.gov](http://www.P65Warnings.ca.gov)

**⚠ ADVERTENCIA:** Cáncer y daño reproductivo - [www.P65Warnings.ca.gov](http://www.P65Warnings.ca.gov)

**⚠ AVERTISSEMENT:** Cancer et effets néfastes sur la reproduction - [www.P65Warnings.ca.gov](http://www.P65Warnings.ca.gov)

Zurn Industries, LLC | Specification Drainage Operation  
1801 Pittsburgh Avenue, Erie, PA 16502, Ph. 855.663.9876

In Canada | Zurn Industries Limited  
7900 Goreway Drive, Unit 10, Brampton, Ontario L6T 5W6, Ph. 877.892.5216

[www.zurn.com](http://www.zurn.com)

Rev.	C	Page 2 of 2
Date:	07/18/25	
C.N. No.	146679	
Patent	<a href="http://zurn.com/patents">zurn.com/patents</a>	
Prod.   Dwg. No.	Z886-HDS-LD	